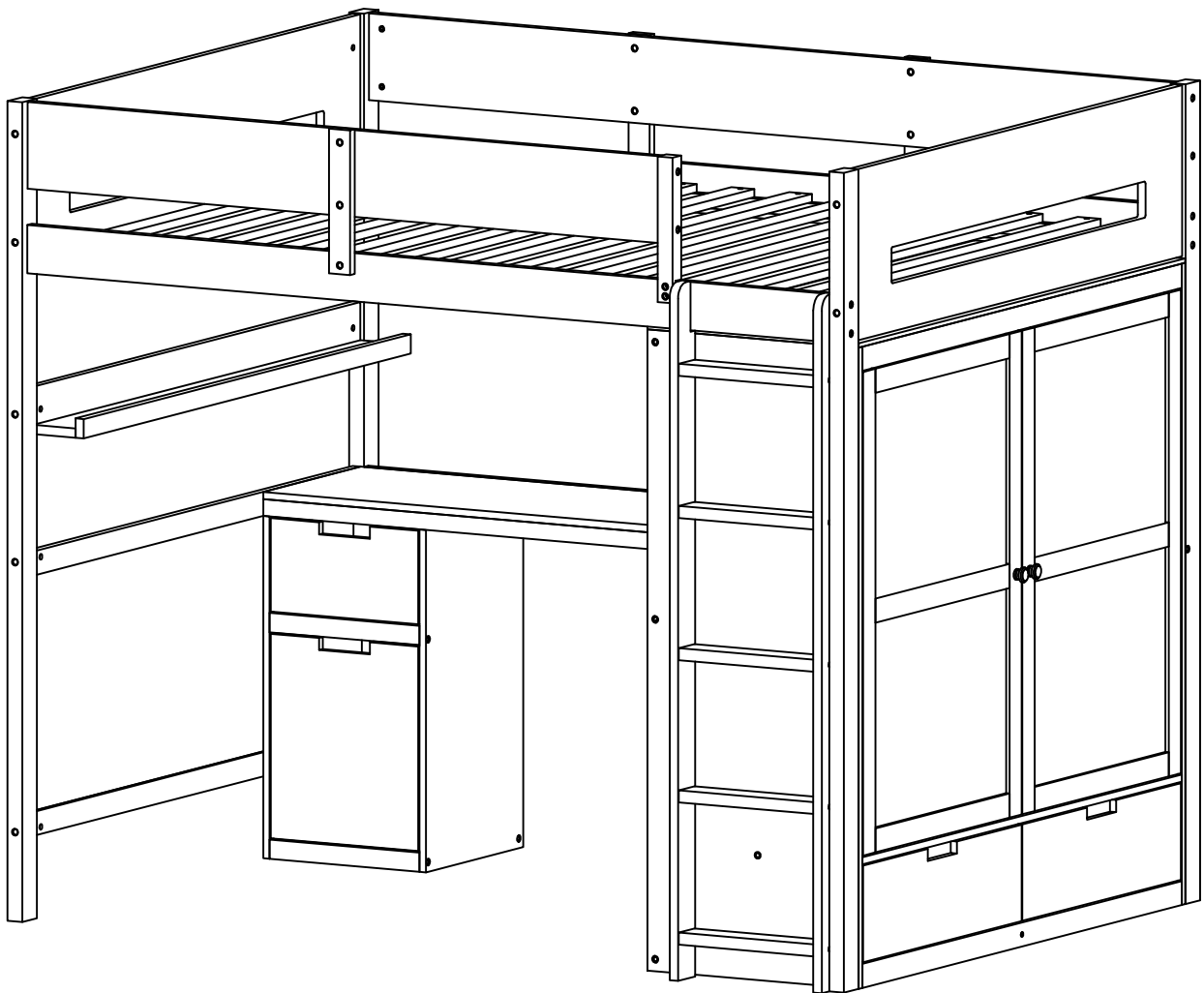


ASSEMBLY INSTRUCTION

SKU CODE: WF324450/WF324451/WF324452





SAFETY WARNINGS

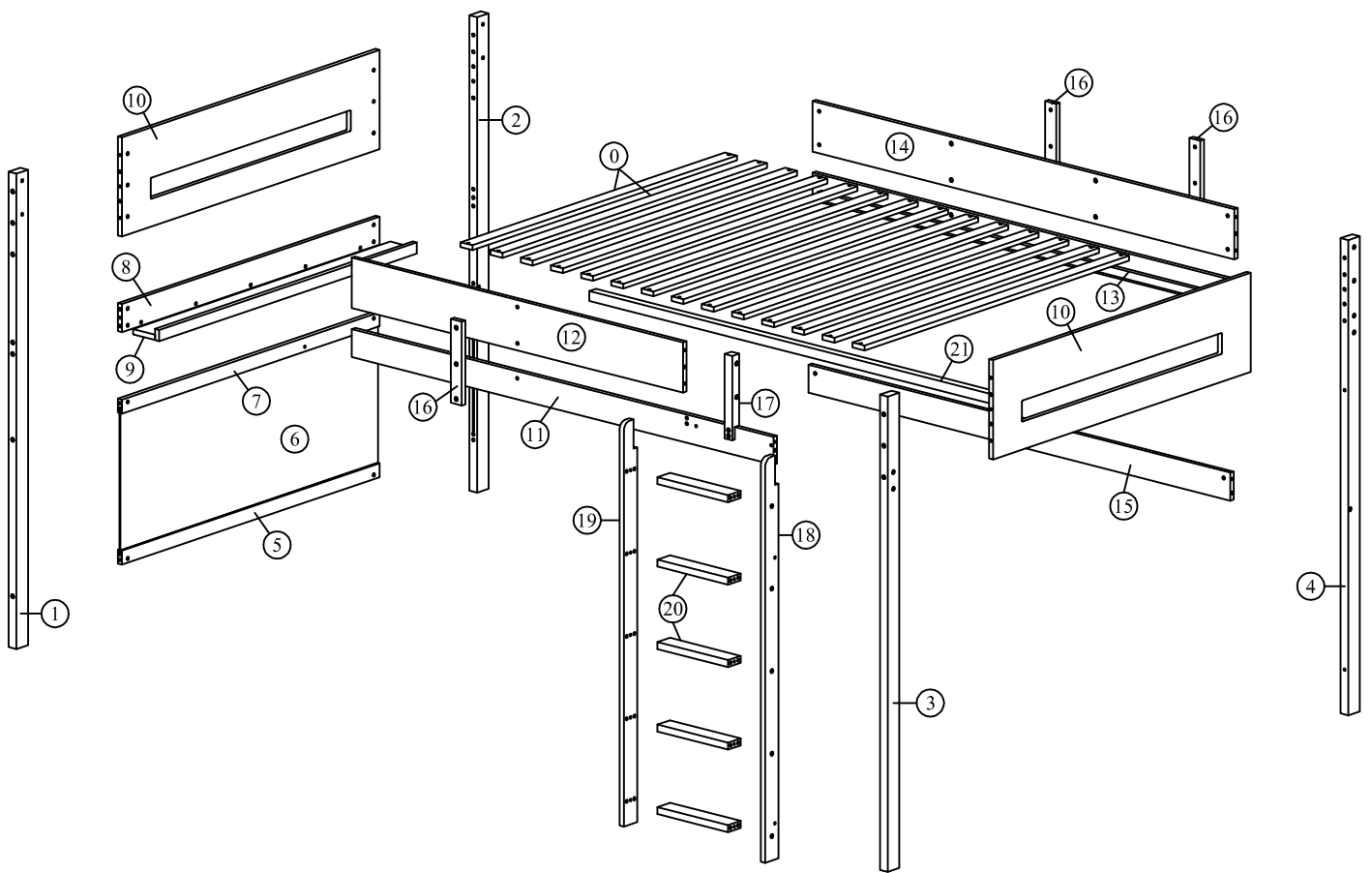


1. This bed is designed for use only mattress(es) meeting the following specifications on the bed:

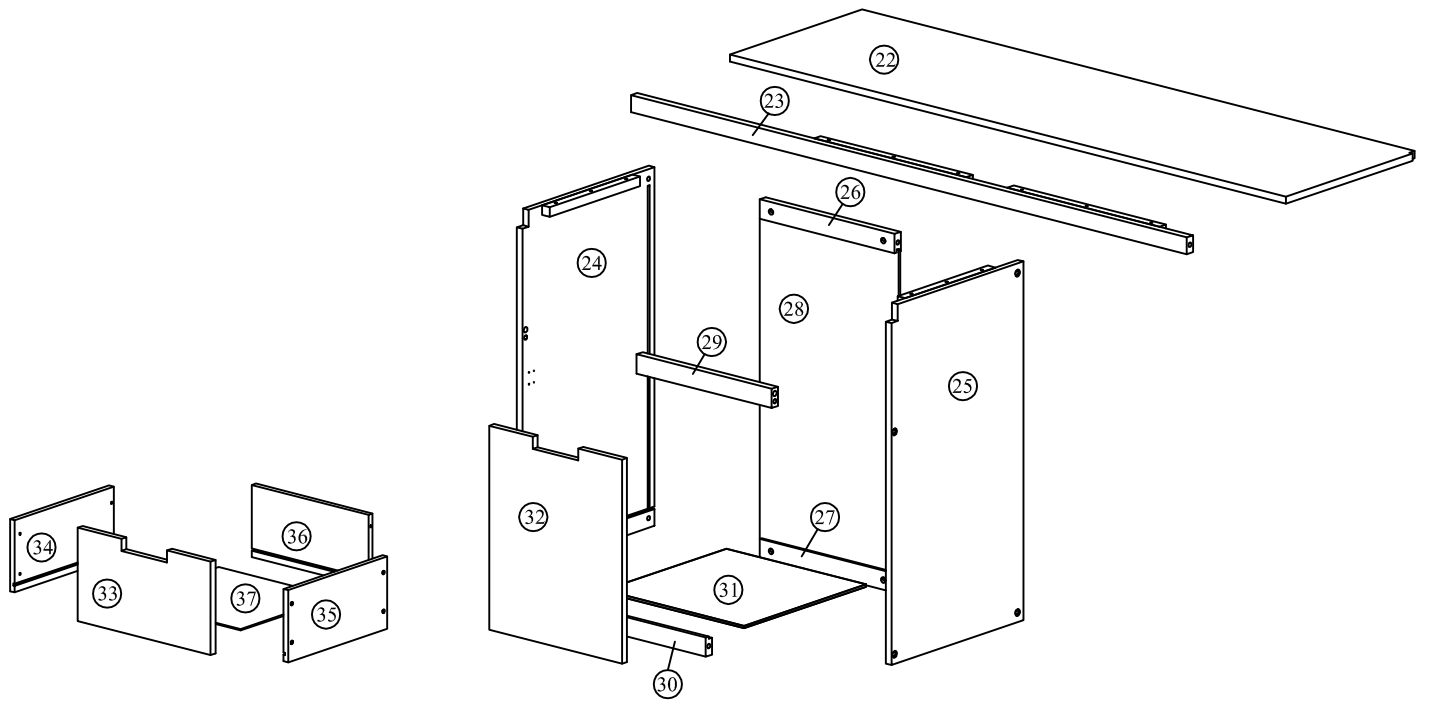
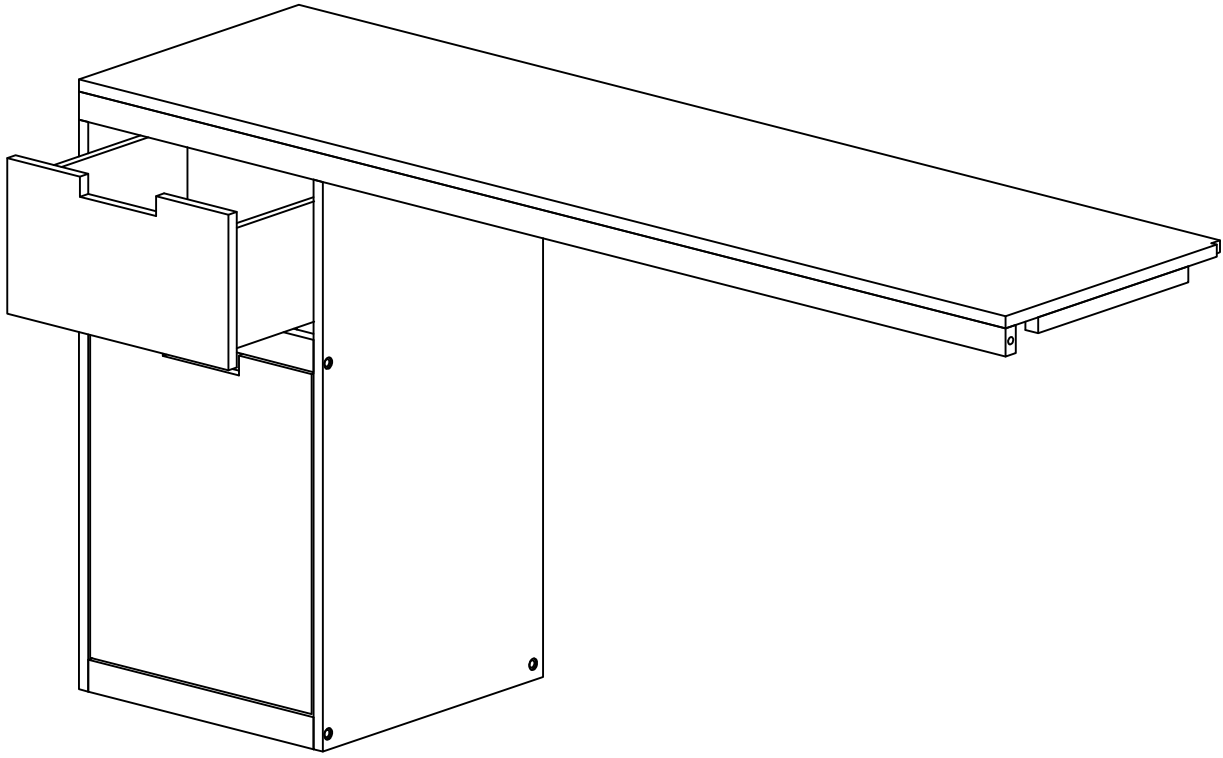
Bed Type	Length	Width	Thickness
Full Standard	74"-75"	53 1/2" - 54"	6" max

2. Replacement parts, including additional guardrails, maybe obtained from any of our (GIGACLOUDTECHNOLOGY (USA) INC. 18961 ARENTH AVENUE CITY OF INDUSTRY, CA, 91748) dealers.
3. Follow the information on the warnings appearing on the upper bunk bed end structure and on the carton. Do not remove warning label from bed.
4. Always use the recommended size mattresses or mattress supports, or both, to help prevent the likelihood of entrapment or falls.
5. Surface of the mattress must be at least 5". (127 mm) below the upper edge of guardrails.
6. Do not allow children under 6 years of age to use the upper bunk.
7. Periodically check and ensure that the guardrail, ladder, and other components are in theirproper position, free from damage, and that all connectors are tight.
8. Do not allow horseplay on or under the bed and prohibit jumping on the bed
9. Always use the ladder for entering and leaving the upper bunk.
10. Do not use substitute parts. Contact the manufacturer or dealer for replacement parts.
11. Use of a night light may provided added safety precaution for a child using the upper bunk.
12. Always use guardrails on both long sides of the upper bunk. If the bunk bed will be placed next to the wall, the guardrail that runs the full length of the bed should be placed against the wall to prevententrapment between the bed and wall.
13. The use of water or sleep flotation mattresses is prohibited.
14. STRANGULATION HAZARD - Never attach or hang items to any part of the bunk bed that are notdesigned for use with the bed; for example, but not limited to, hook, belts and jump ropes.
15. Keep these instructions for future reference
16. Prohibit more than one person on upper bunk.
17. We recommend assembling your bunk bed on the shipping carton to protect your floor or carpet.
18. Be certain all staples are out of the box before beginning assembly on the shipping carton.

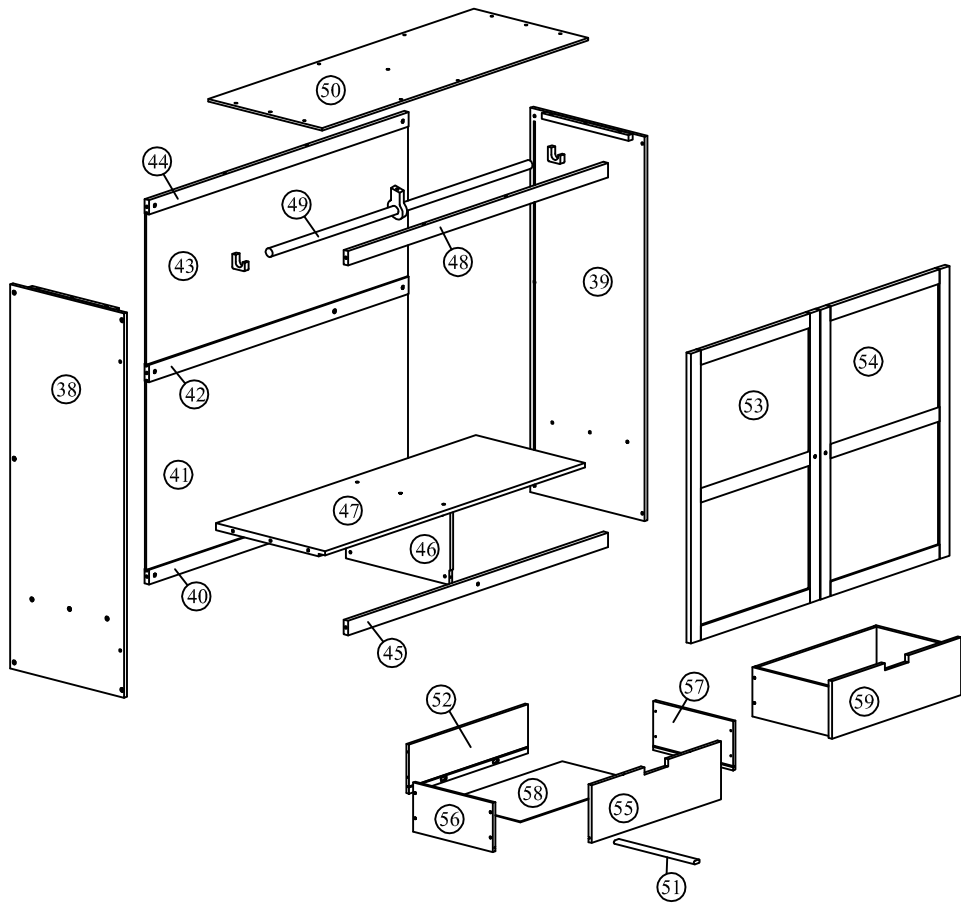
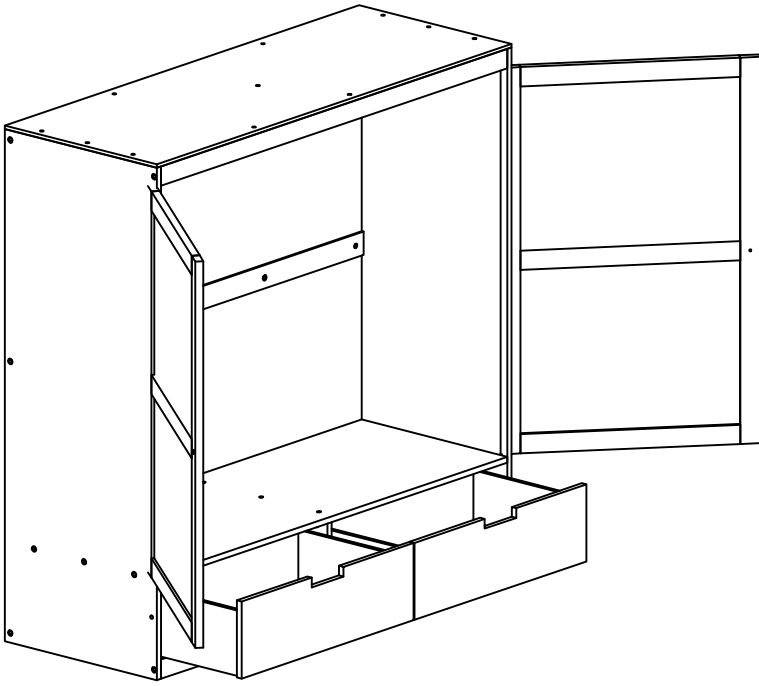
Detail view



Detail view

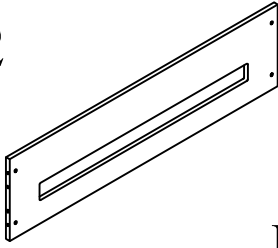


Detail view



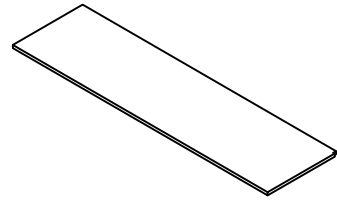
Part List (WF324450)

10 x2



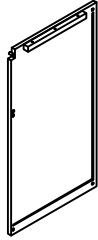
Headboard

22 x1



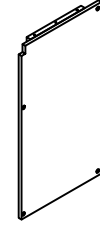
Top table

24 x1



Side cabinet

25 x1



Side cabinet

38 x1



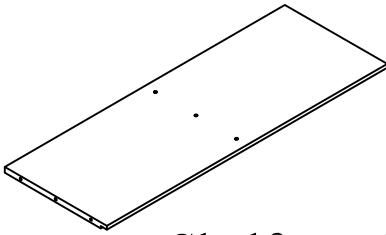
Side wardrobe

39 x1



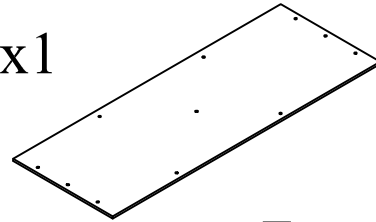
Side wardrobe

47 x1



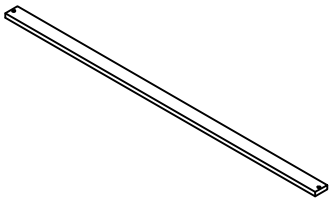
Shelf wardrobe

50 x1



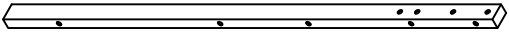
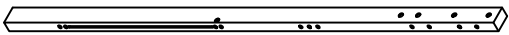
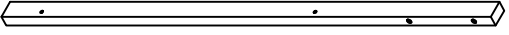
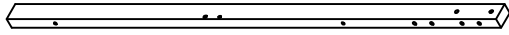
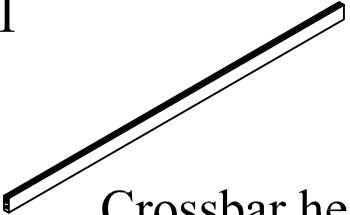
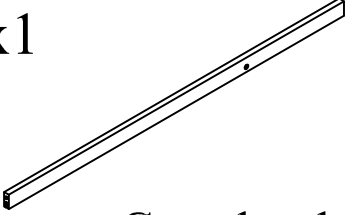
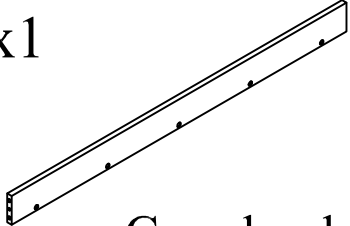
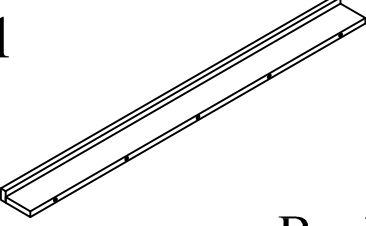
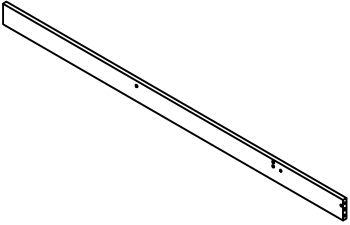
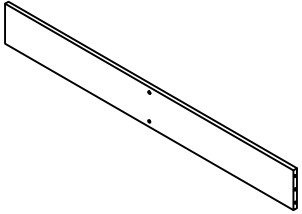
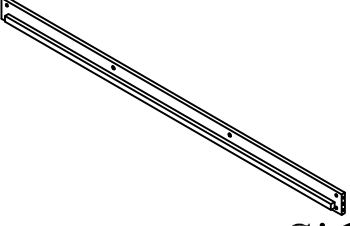
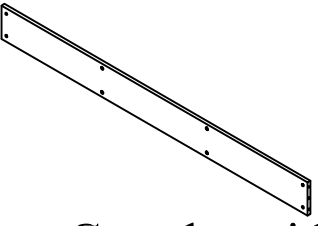
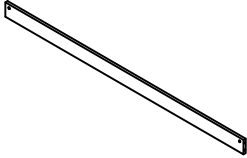

Top wardrobe

0 x2

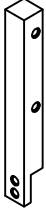
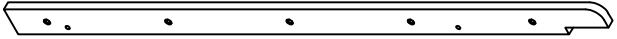
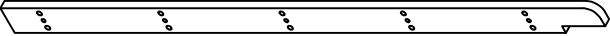
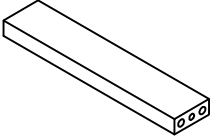
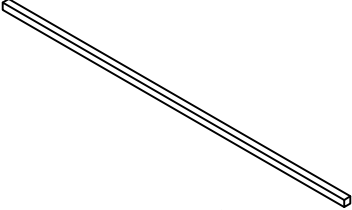
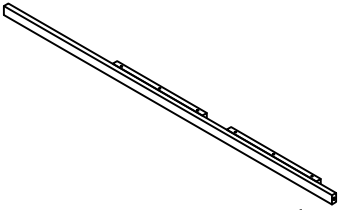
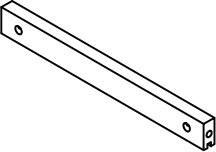
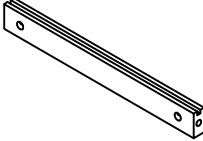
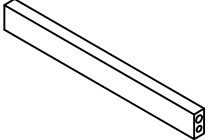
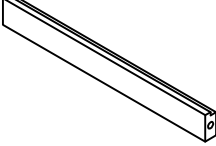
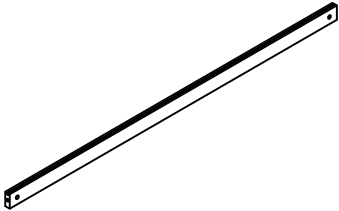
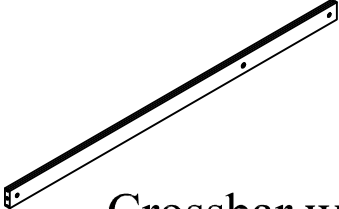
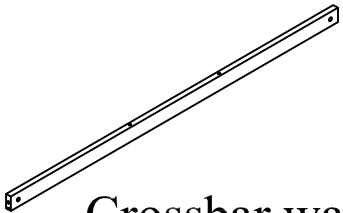
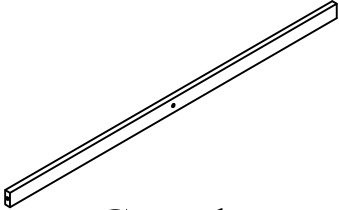


Slats

Part List (WF324451)

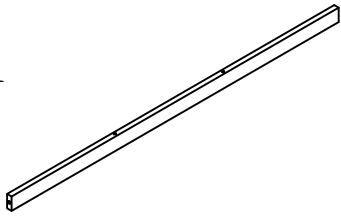
<p>① x1</p>  <p style="text-align: center;">Leg bed</p>	<p>② x1</p>  <p style="text-align: center;">Leg bed</p>
<p>③ x1</p>  <p style="text-align: center;">Leg bed</p>	<p>④ x1</p>  <p style="text-align: center;">Leg bed</p>
<p>⑤ x1</p>  <p style="text-align: center;">Crossbar headboard</p>	<p>⑦ x1</p>  <p style="text-align: center;">Crossbar headboard</p>
<p>⑧ x1</p>  <p style="text-align: center;">Crossbar headboard</p>	<p>⑨ x1</p>  <p style="text-align: center;">Book shelf</p>
<p>⑪ x1</p>  <p style="text-align: center;">Side rail</p>	<p>⑫ x1</p>  <p style="text-align: center;">Crossbar side rail</p>
<p>⑬ x1</p>  <p style="text-align: center;">Side rail</p>	<p>⑭ x1</p>  <p style="text-align: center;">Crossbar side rail</p>
<p>⑮ x1</p>  <p style="text-align: center;">Crossbar side rail</p>	<p>⑯ x3</p>  <p style="text-align: center;">Support side rail</p>

Part List (WF324451)

<p>①7 x1</p>  <p style="text-align: center;">Hand rail</p>	<p>①8 x1</p>  <p style="text-align: center;">Leg ladder</p>
<p>①9 x1</p>  <p style="text-align: center;">Leg ladder</p>	<p>②0 x5</p>  <p style="text-align: center;">Step ladder</p>
<p>②1 x1</p>  <p style="text-align: center;">Support slats</p>	<p>②3 x1</p>  <p style="text-align: center;">Crossbar table</p>
<p>②6 x1</p>  <p style="text-align: center;">Crossbar cabinet</p>	<p>②7 x1</p>  <p style="text-align: center;">Crossbar cabinet</p>
<p>②9 x1</p>  <p style="text-align: center;">Crossbar cabinet</p>	<p>③0 x1</p>  <p style="text-align: center;">Crossbar cabinet</p>
<p>④0 x1</p>  <p style="text-align: center;">Crossbar wardrobe</p>	<p>④2 x1</p>  <p style="text-align: center;">Crossbar wardrobe</p>
<p>④4 x1</p>  <p style="text-align: center;">Crossbar wardrobe</p>	<p>④5 x1</p>  <p style="text-align: center;">Crossbar wardrobe</p>

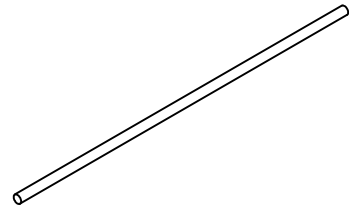
Part List (WF324451)

48 x1



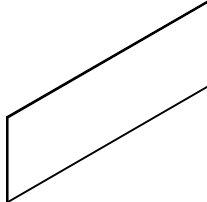

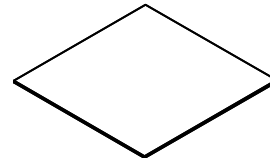
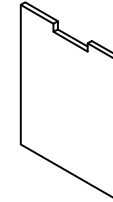
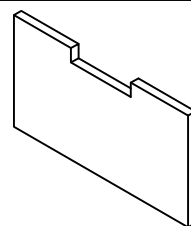
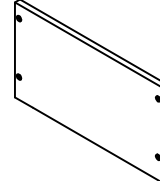
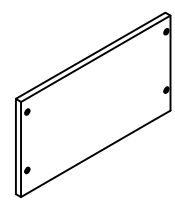
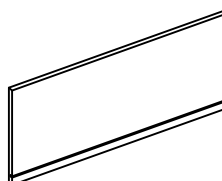
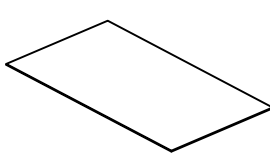
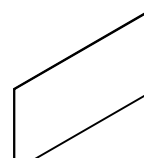
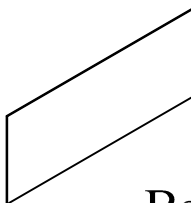
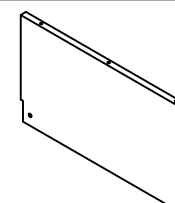
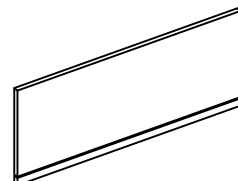
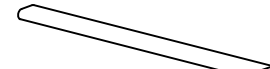
Crossbar wardrobe

49 x1

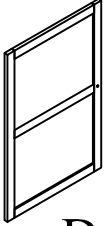
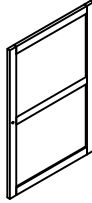
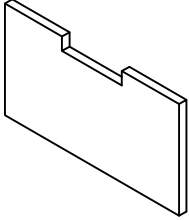
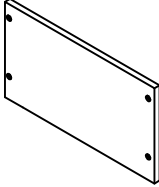
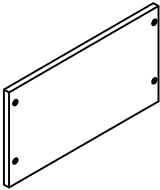
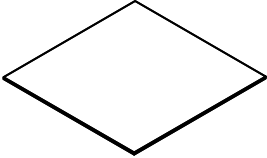
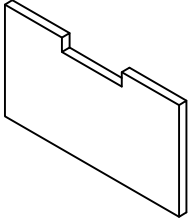
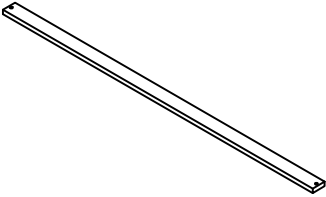


Clothes drying pole


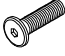
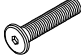







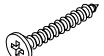
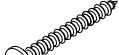
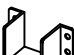




Part List (WF324452)

<p>⑥ x1</p>  <p style="text-align: center;">Panel headboard</p>	<p>②⑧ x1</p>  <p style="text-align: center;">Back cabinet</p>
<p>③① x1</p>  <p style="text-align: center;">Bottom cabinet</p>	<p>③② x1</p>  <p style="text-align: center;">Door cabinet</p>
<p>③③ x1</p>  <p style="text-align: center;">Front drawer cabinet</p>	<p>③④ x1</p>  <p style="text-align: center;">Side drawer cabinet</p>
<p>③⑤ x1</p>  <p style="text-align: center;">Side drawer cabinet</p>	<p>③⑥ x1</p>  <p style="text-align: center;">Back drawer cabinet</p>
<p>③⑦ x1</p>  <p style="text-align: center;">Bottom drawer cabinet</p>	<p>④① x1</p>  <p style="text-align: center;">Back wardrobe</p>
<p>④③ x1</p>  <p style="text-align: center;">Back wardrobe</p>	<p>④⑥ x1</p>  <p style="text-align: center;">Mid wardrobe</p>
<p>⑤② x2</p>  <p style="text-align: center;">Back drawer wardrobe</p>	<p>⑤① x2</p>  <p style="text-align: center;">Support drawer</p>





Part List (WF324452)

<p>⑤③ x1</p>  <p style="text-align: center;">Door wardrobe</p>	<p>⑤④ x1</p>  <p style="text-align: center;">Door wardrobe</p>
<p>⑤⑤ x1</p>  <p style="text-align: center;">Front drawer wardrobe</p>	<p>⑤⑥ x2</p>  <p style="text-align: center;">Side drawer wardrobe</p>
<p>⑤⑦ x2</p>  <p style="text-align: center;">Side drawer wardrobe</p>	<p>⑤⑧ x2</p>  <p style="text-align: center;">Bottom wardrobe</p>
<p>⑤⑨ x1</p>  <p style="text-align: center;">Front drawer wardrobe</p>	<p>① x12</p>  <p style="text-align: right;">Slats</p>

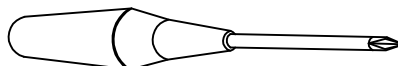
Hardware List (WF324451)

No.	OUTLOOK	DESC	QTY
(A)		Dowel Ø10*40mm	48
(B)		Bolts 1/4"*25mm	21
(C)		Bolts 1/4"*45mm	9
(D)		Bolts 1/4"*70mm	59
(E)		Bolts 1/4"*100mm	16
(F)		Cross dowel 1/4" * 13mm	75
(G)		Hex bolts 1/4" * 20mm	11
(H)		Screws #6*12mm	52
(I)		Screws #6*15mm	24
(J)		Screws #8*15mm	8
(K)		Screws #8*30mm	79
(L)		Screws #8*50mm	5
(M)		Base U	2
(N)		Door Hinge	8
(O)		Knob	2
(Q)		Inhaler Magnet	6
(R)		Clothes hanger	2

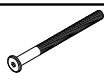


Hardware List (WF324451)

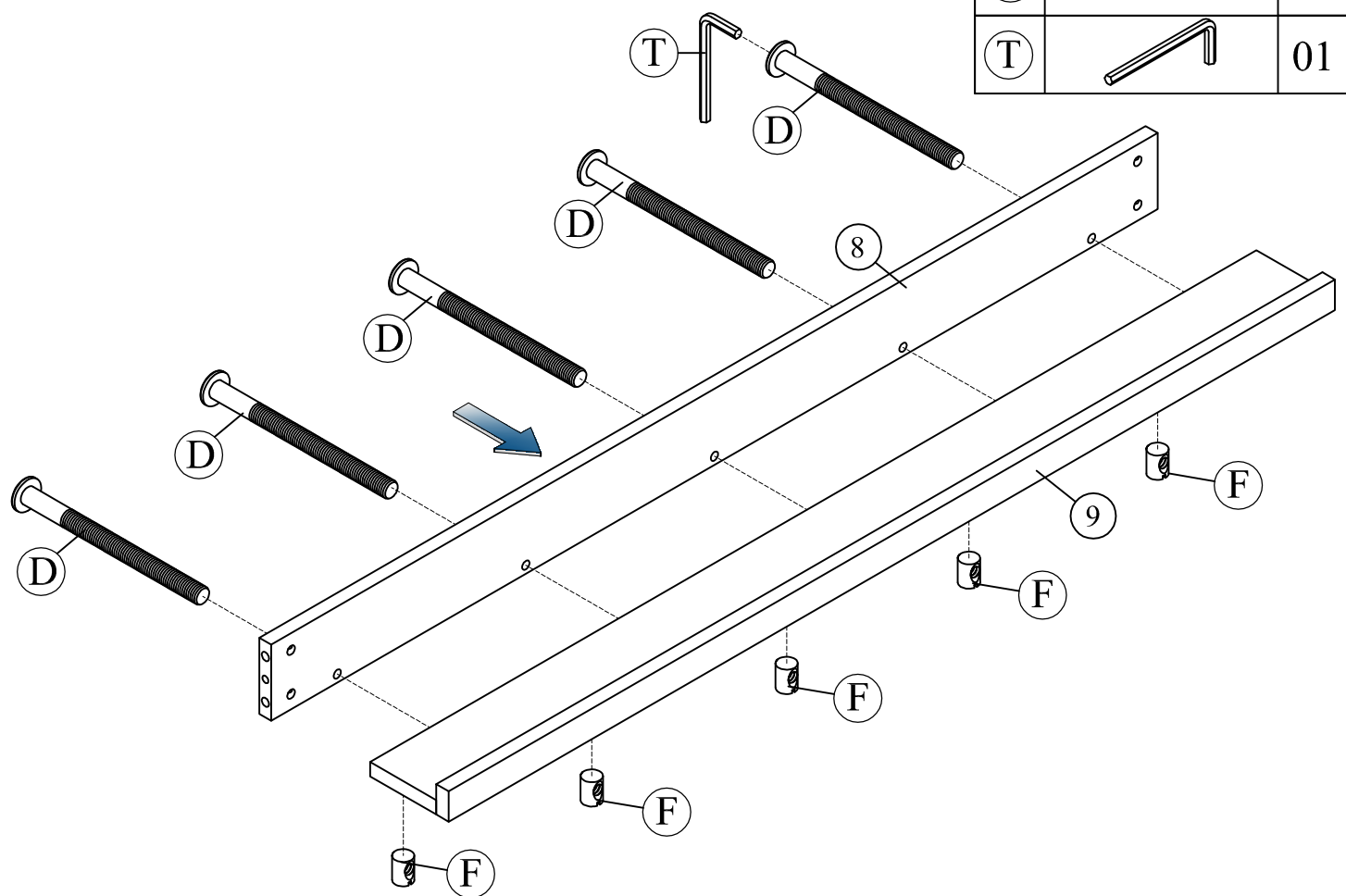
No.	OUTLOOK	DESC	QTY
(S)		Clothes hanger	1
(T)		Allen key 60*22*4mm	1
(V)		Base L	2
(W)		Inhaler Magnet	6

ASSEMBLY TOOLS REQUIRED (NOT INCLUDED)

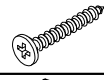



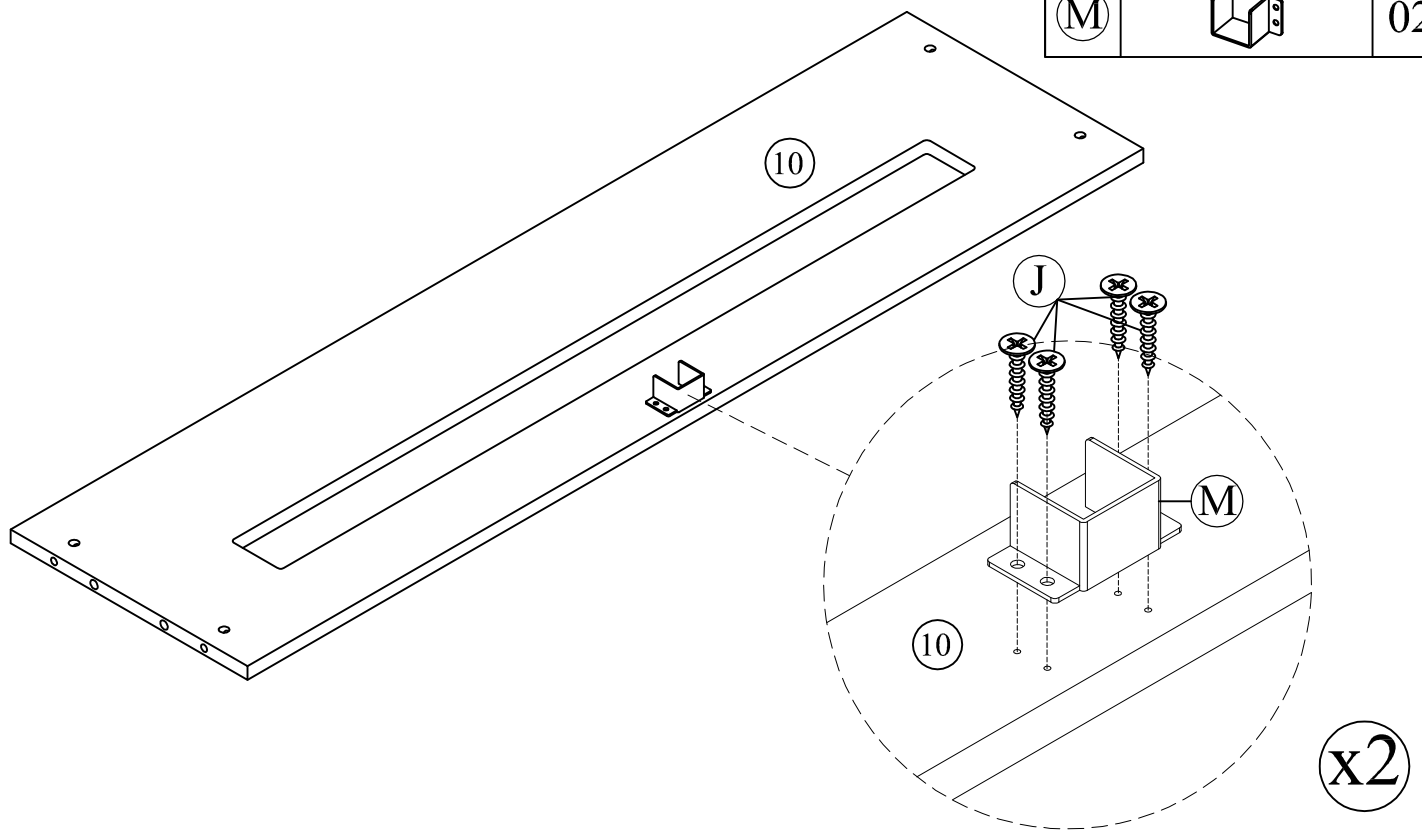
STEP 1:

(D)		05
(F)		05
(T)		01

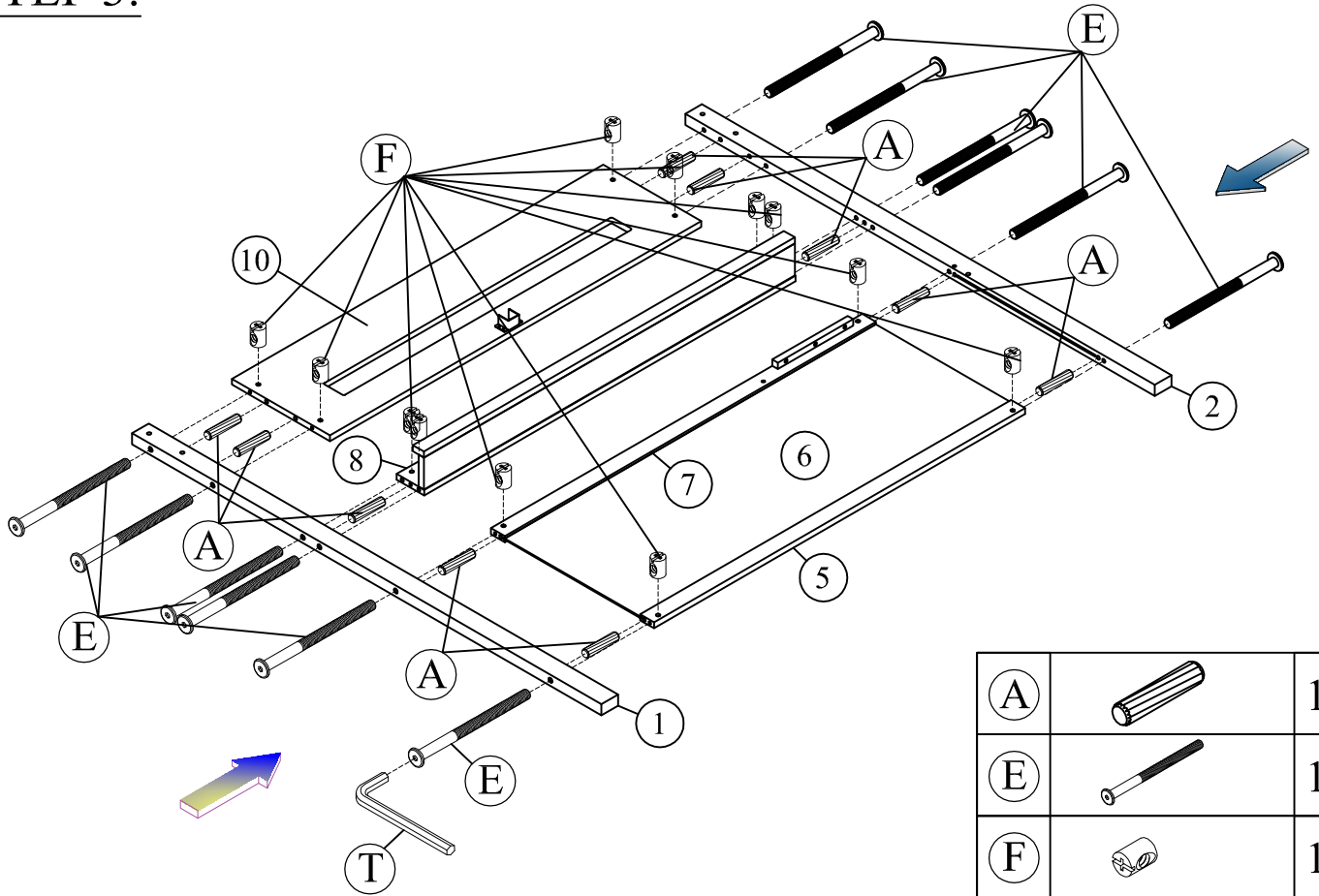


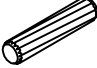



STEP 2:

(J)		08
(M)		02

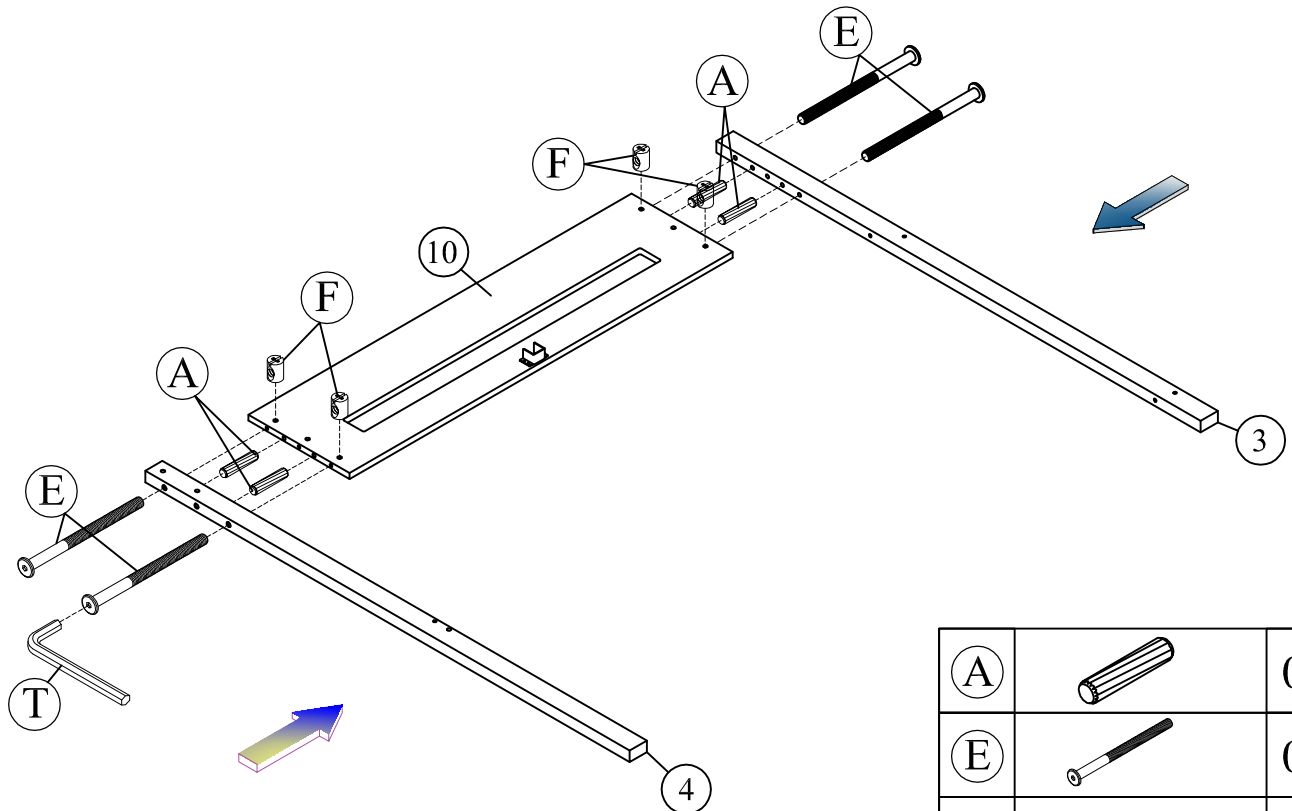






STEP 3:



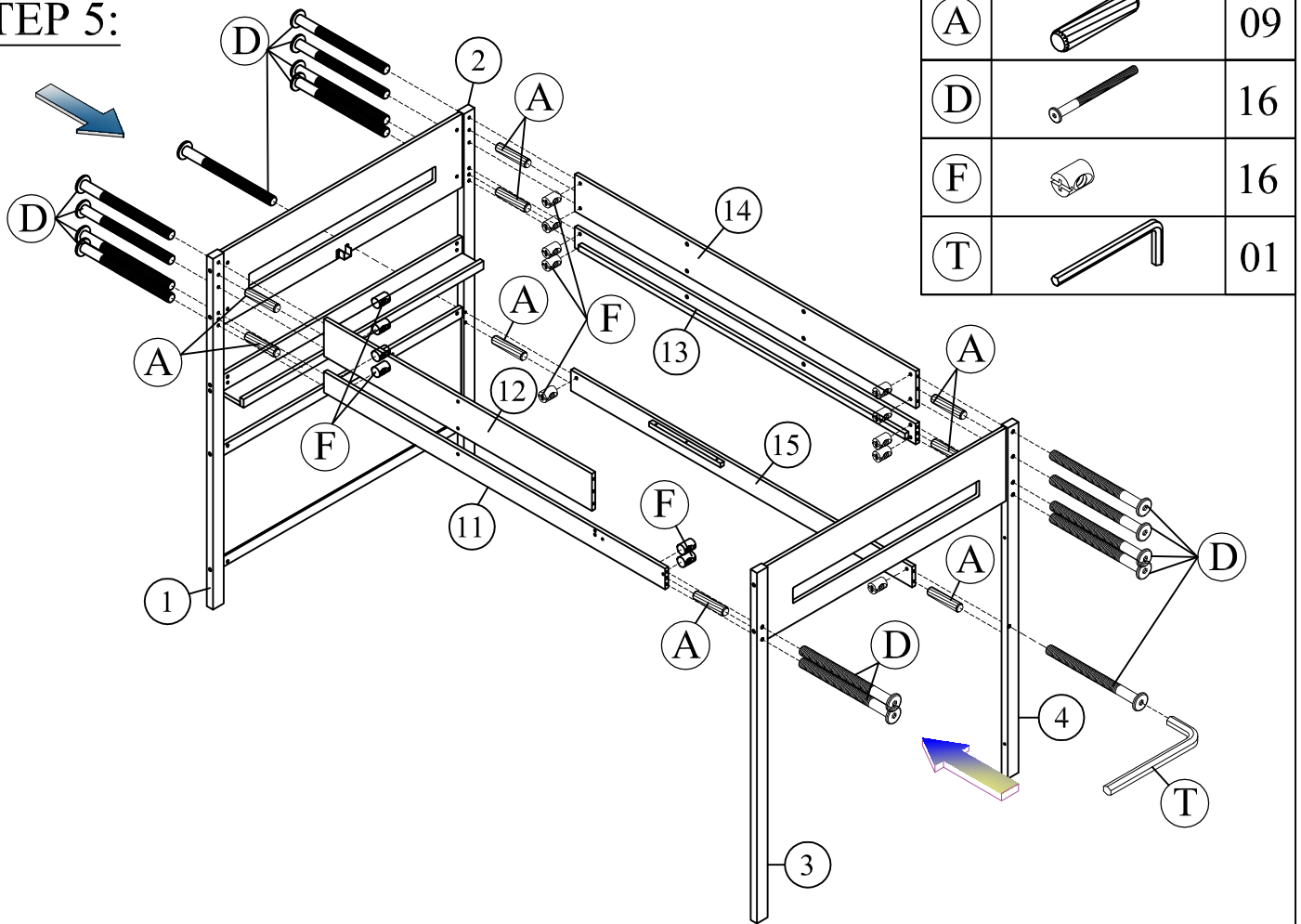
(A)		10
(E)		12
(F)		12
(T)		01

STEP 4:

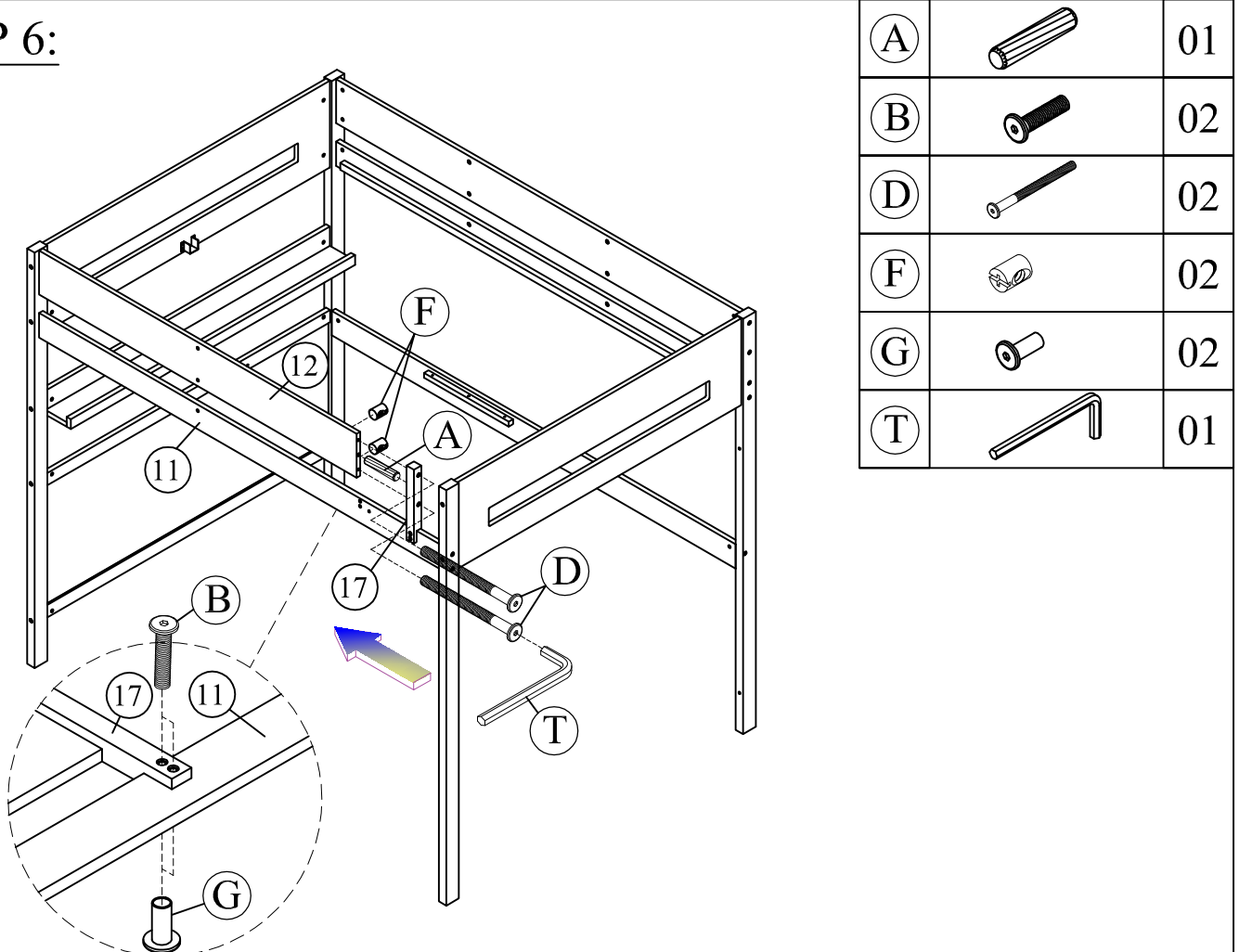


(A)		04
(E)		04
(F)		04
(T)		01

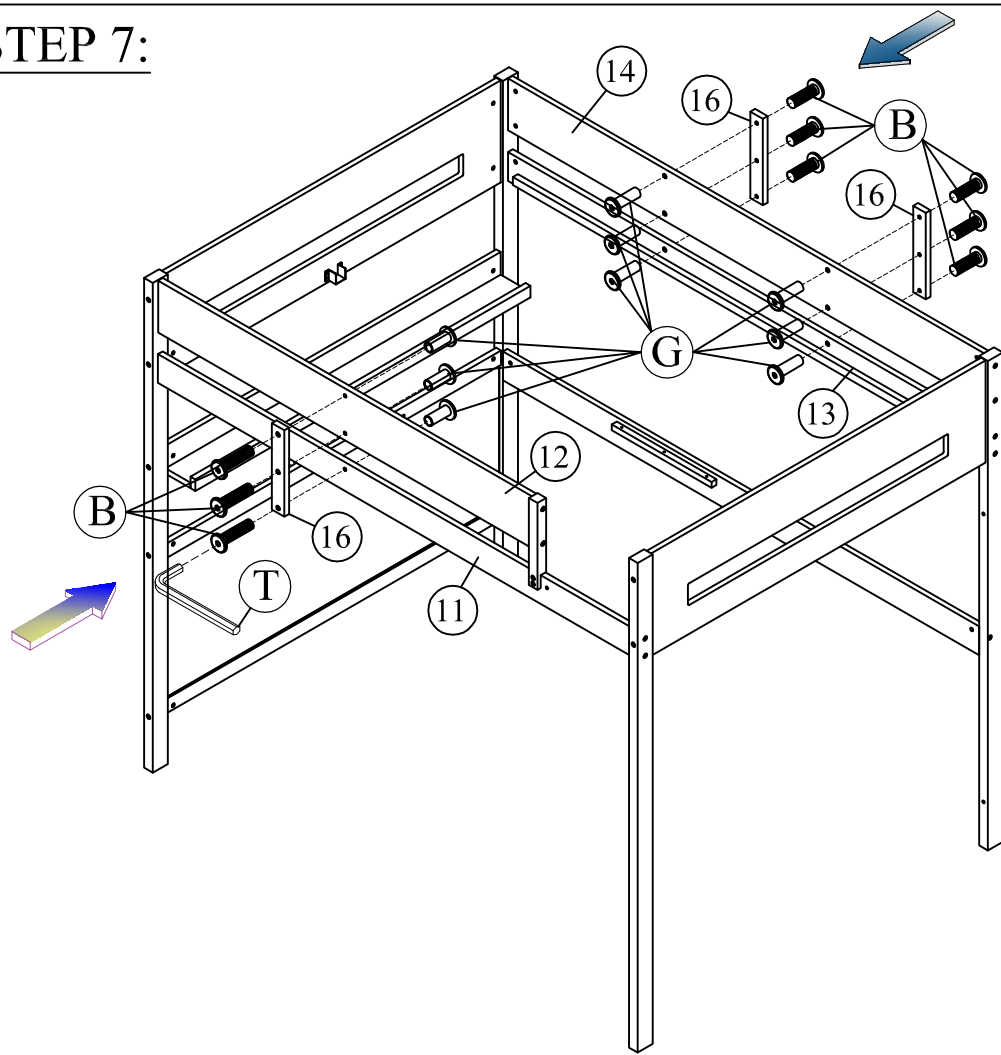
STEP 5:






STEP 6:

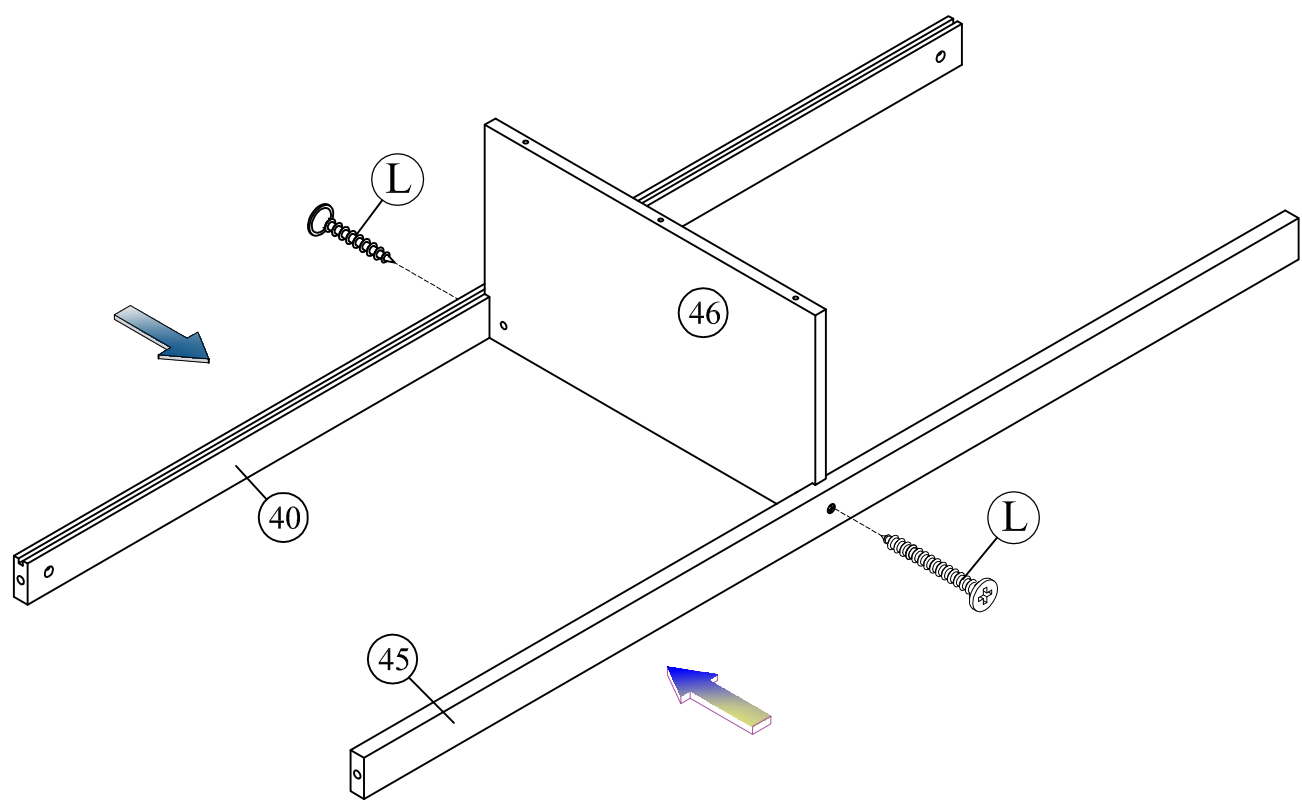




STEP 7:




(B)		09
(G)		09
(T)		01

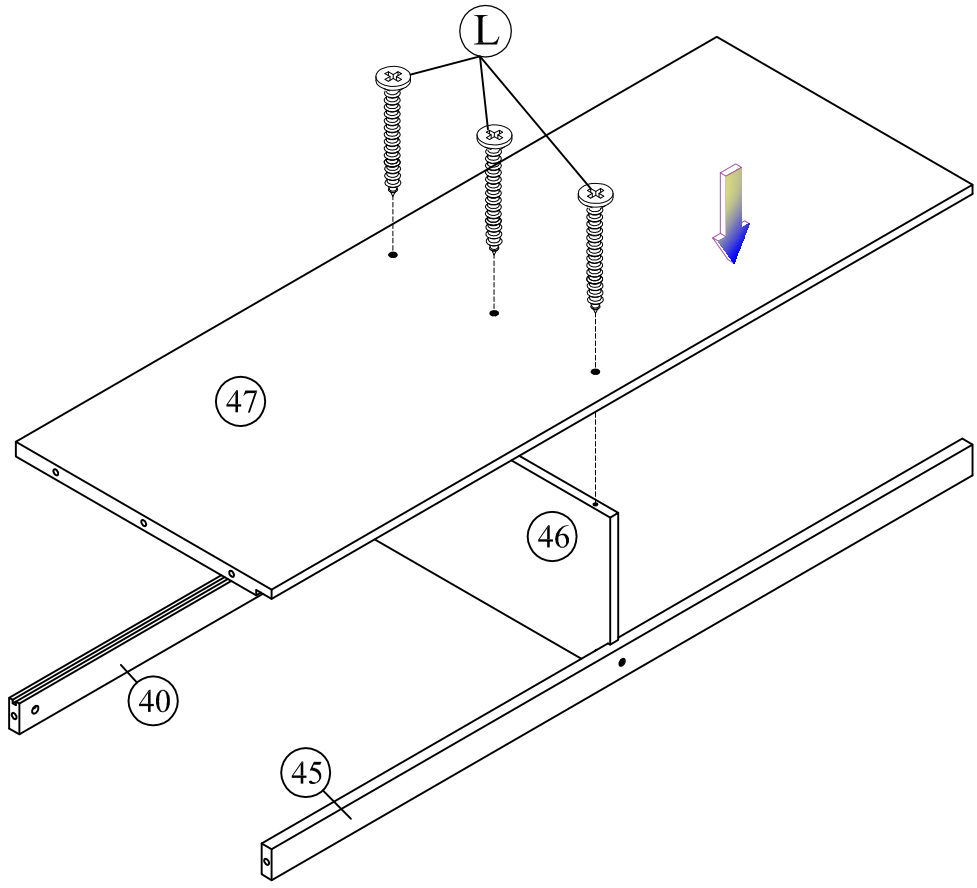
STEP 8:



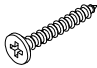

(L)		02
(T)		01

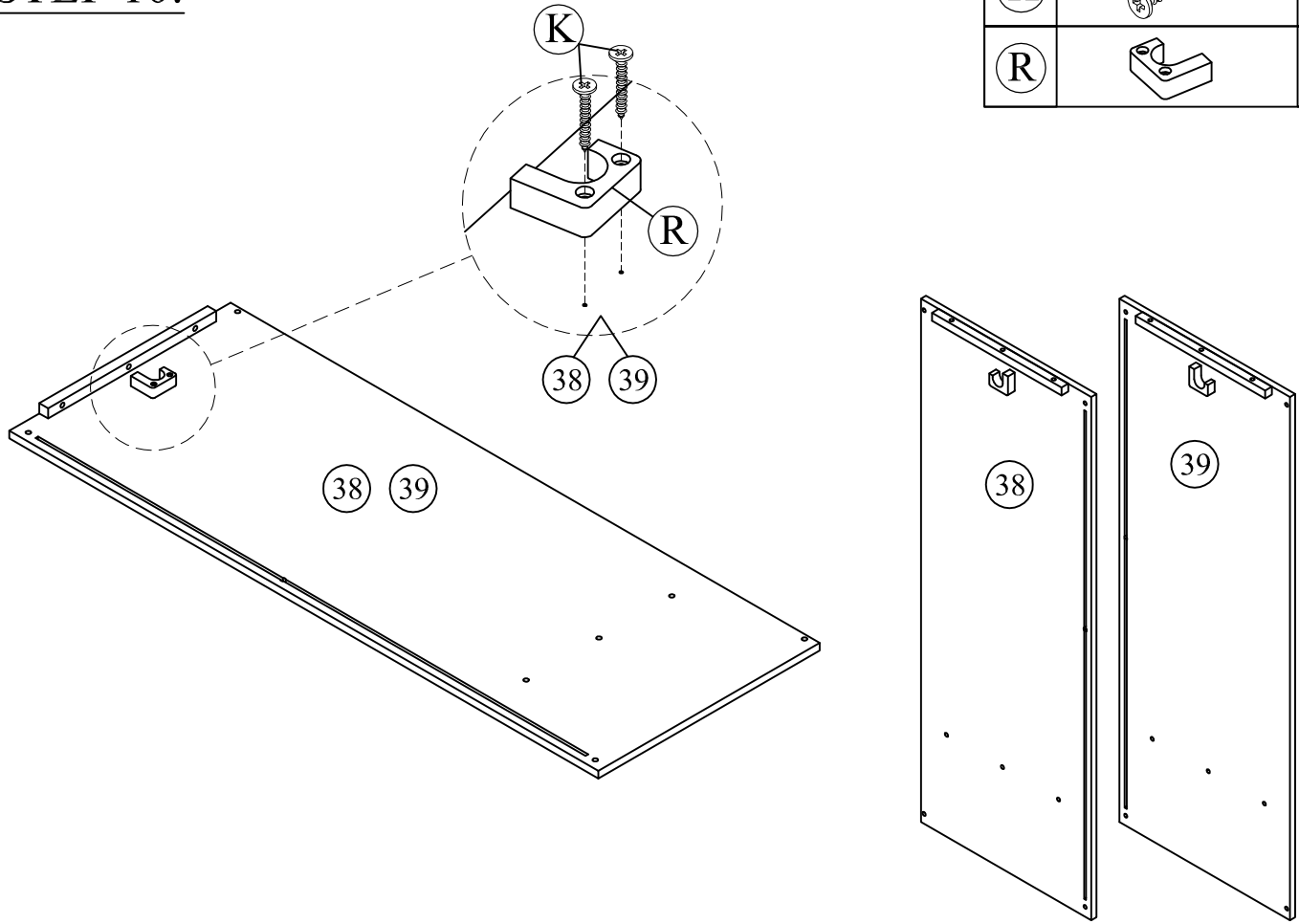
STEP 9:

(L)		03
-----	--	----

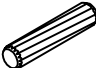





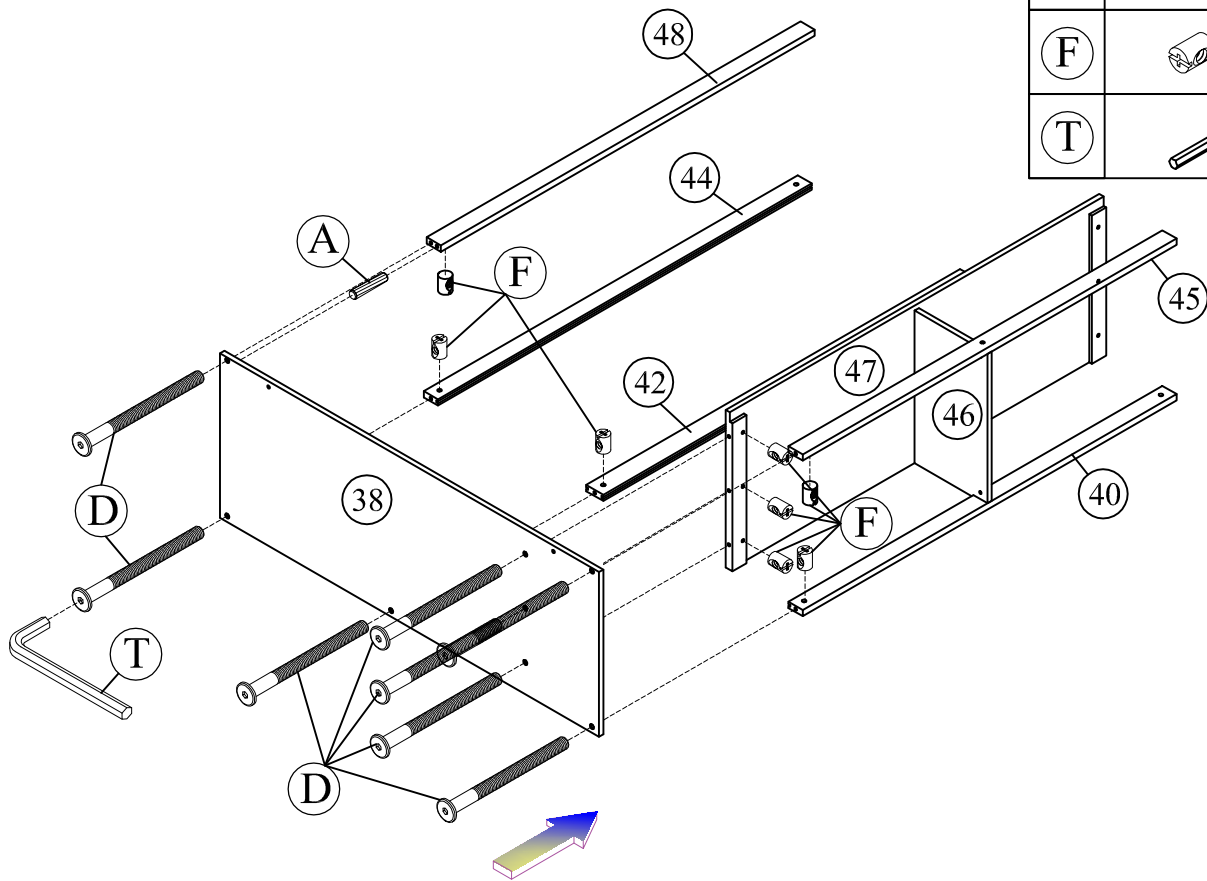
STEP 10:

(K)		04
(R)		02

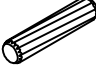





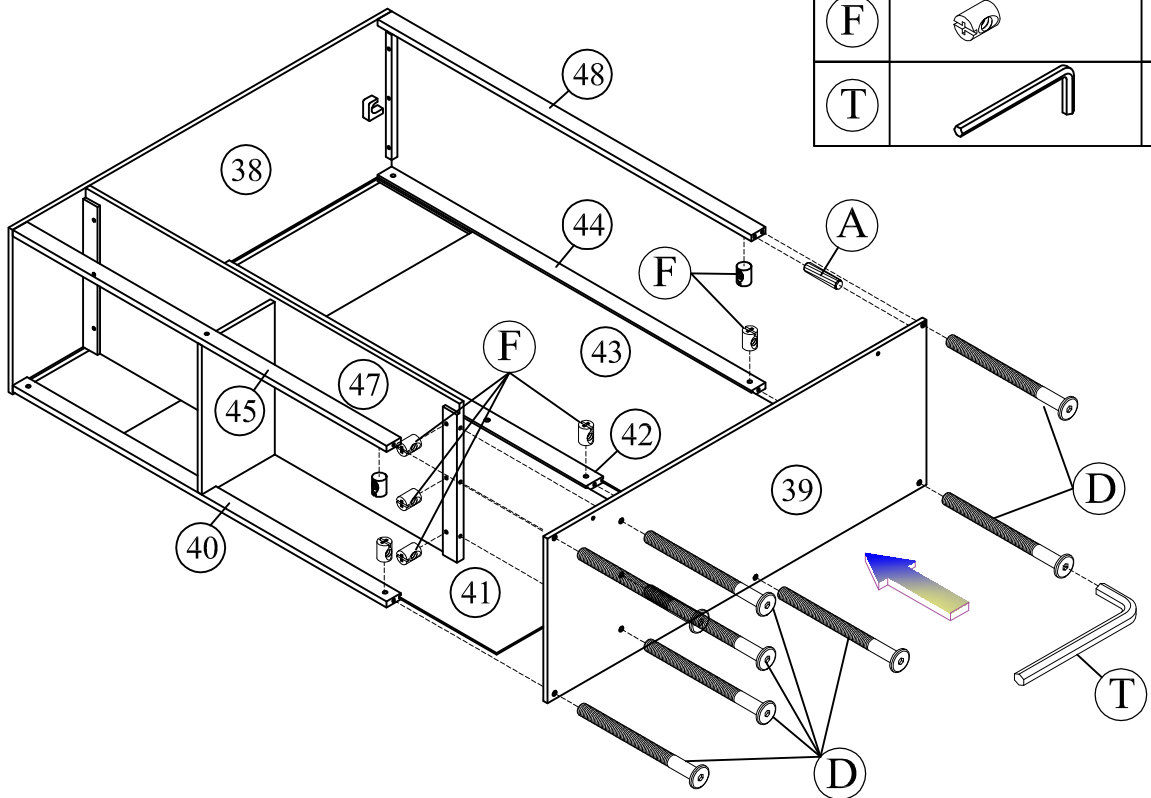
STEP 11:

(A)		01
(D)		08
(F)		08
(T)		01



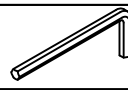


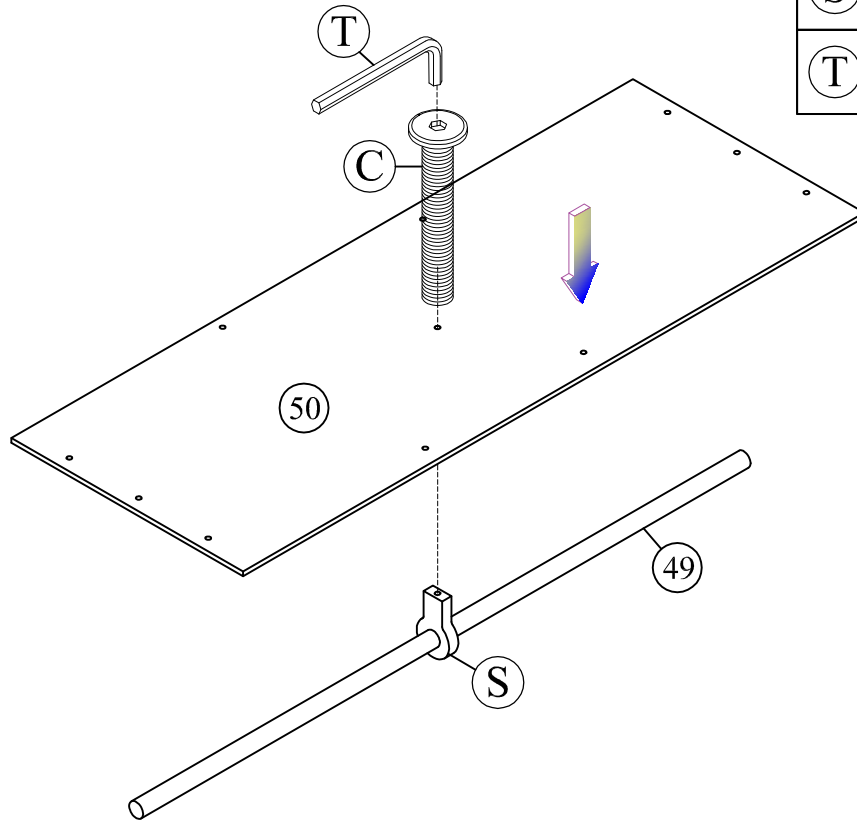
STEP 12:

(A)		01
(D)		08
(F)		08
(T)		01







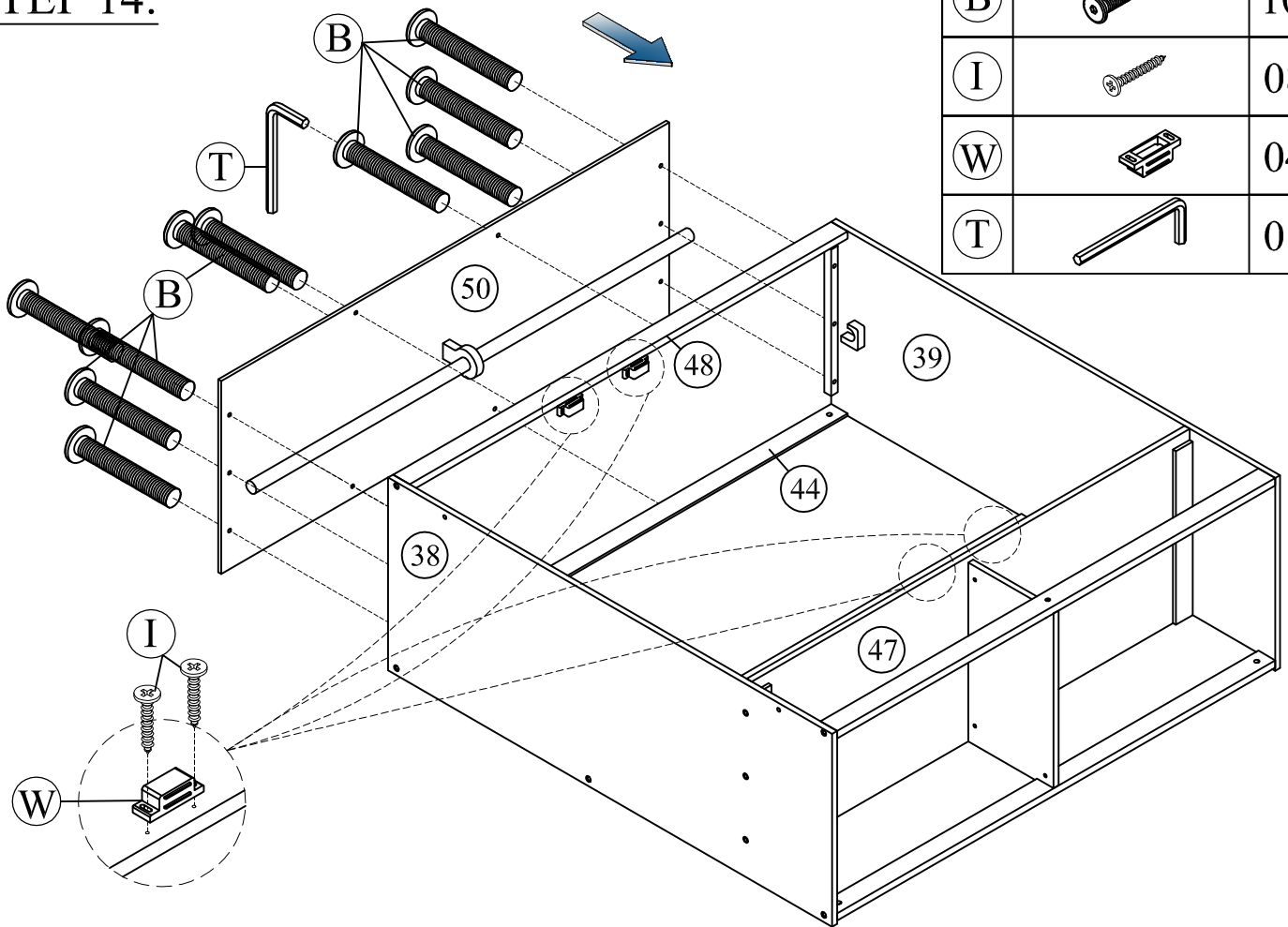
STEP 13:

(C)		01
(S)		01
(T)		01

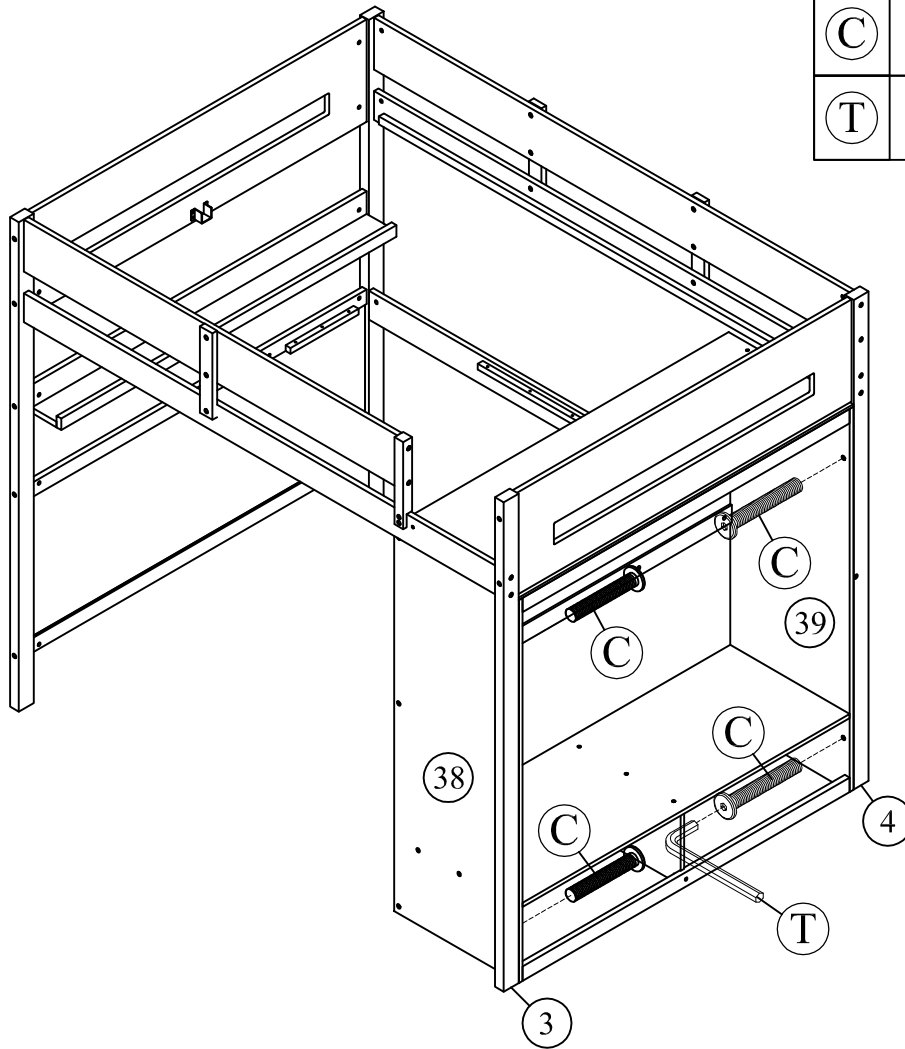




STEP 14:

(B)		10
(I)		08
(W)		04
(T)		01

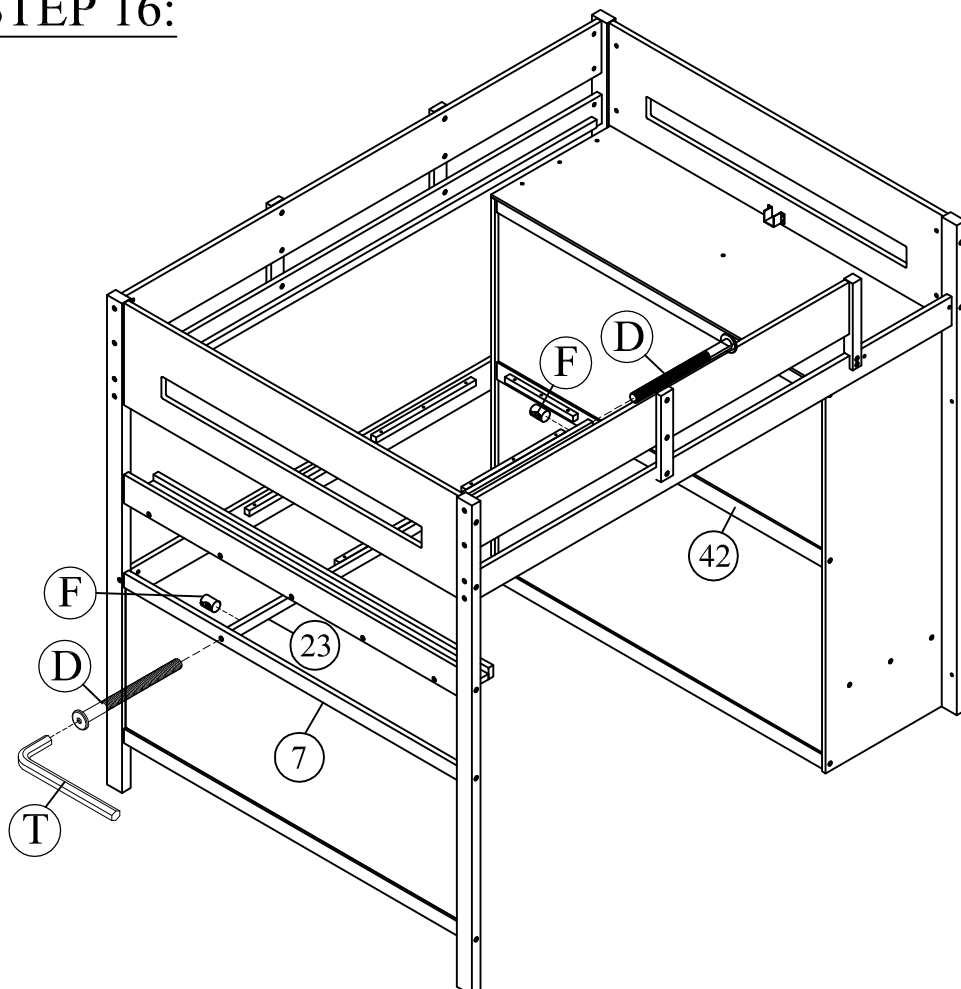





STEP 15:



(C)		04
(T)		01

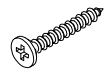
STEP 16:



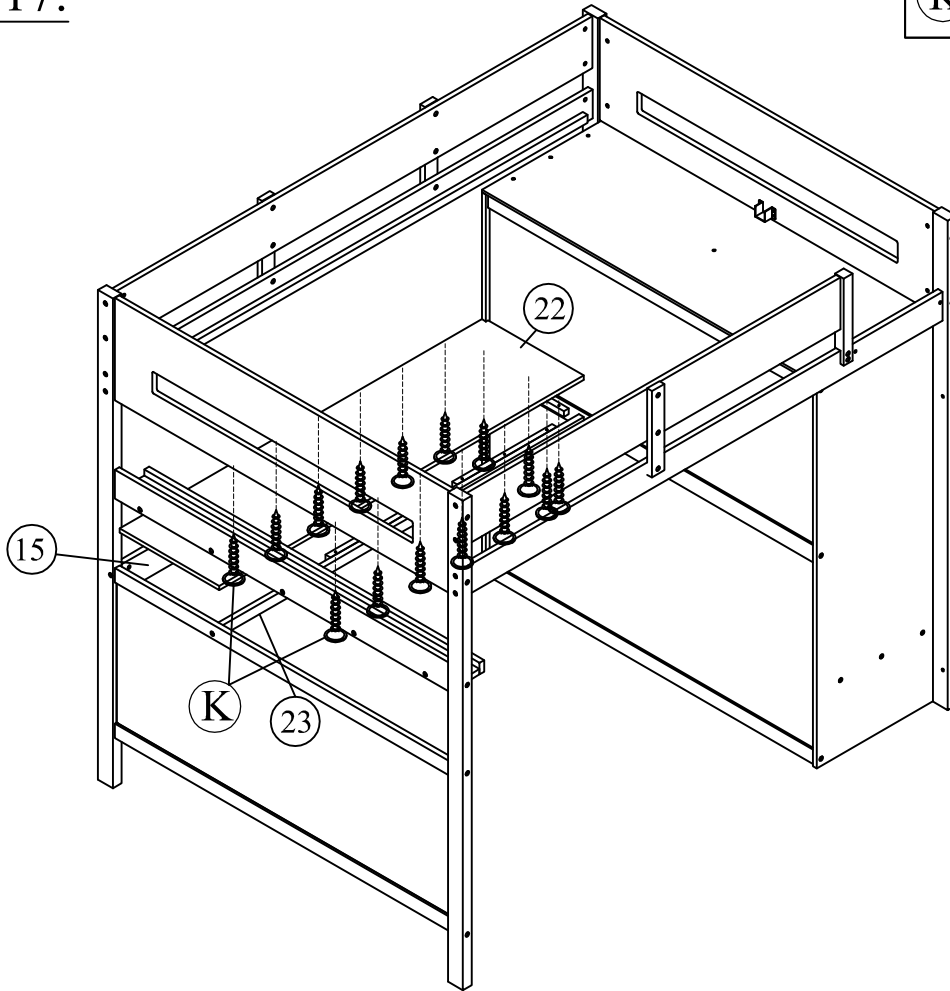
(D)		02
(F)		02
(T)		01

STEP 17:

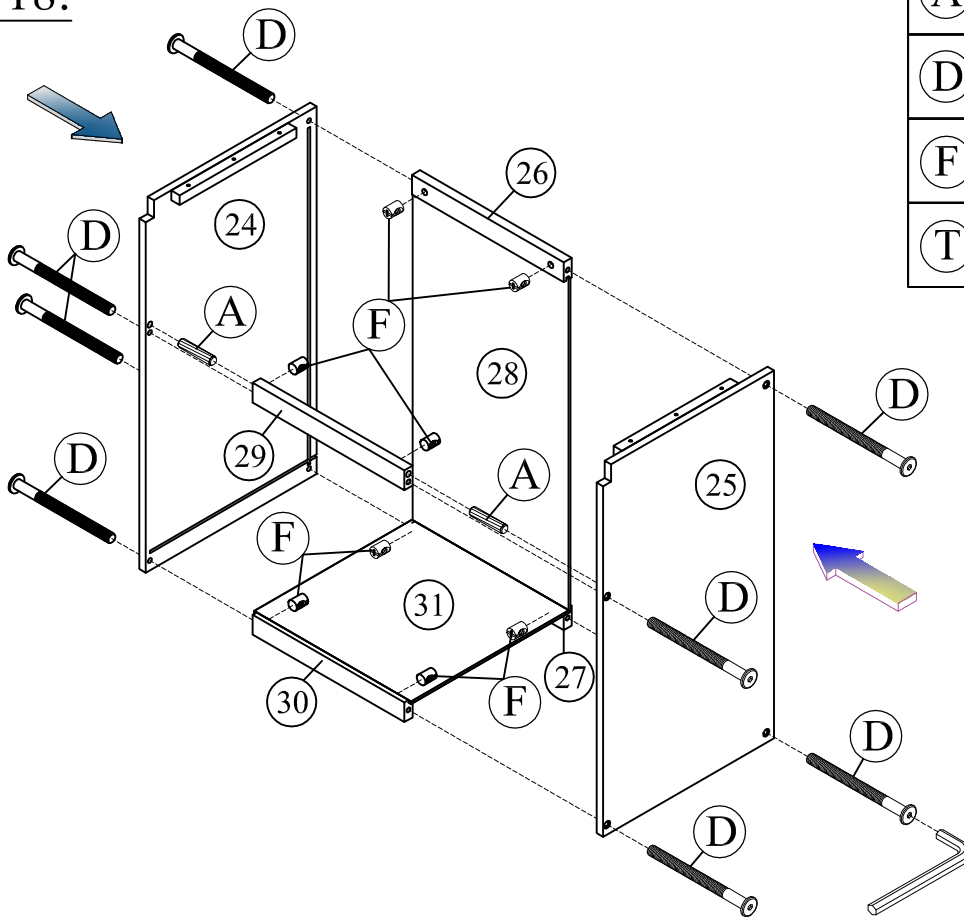
(K)



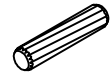
15



STEP 18:



(A)



02

(D)



08

(F)



08

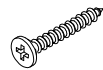
(T)



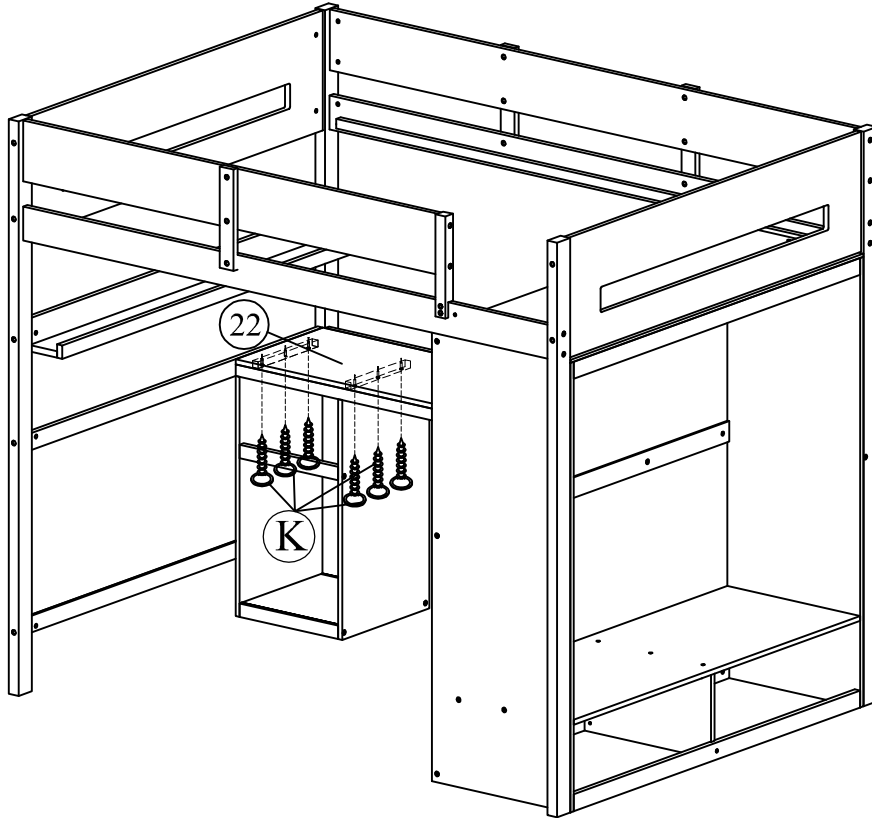
01

STEP 19:

(K)

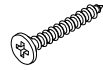


06

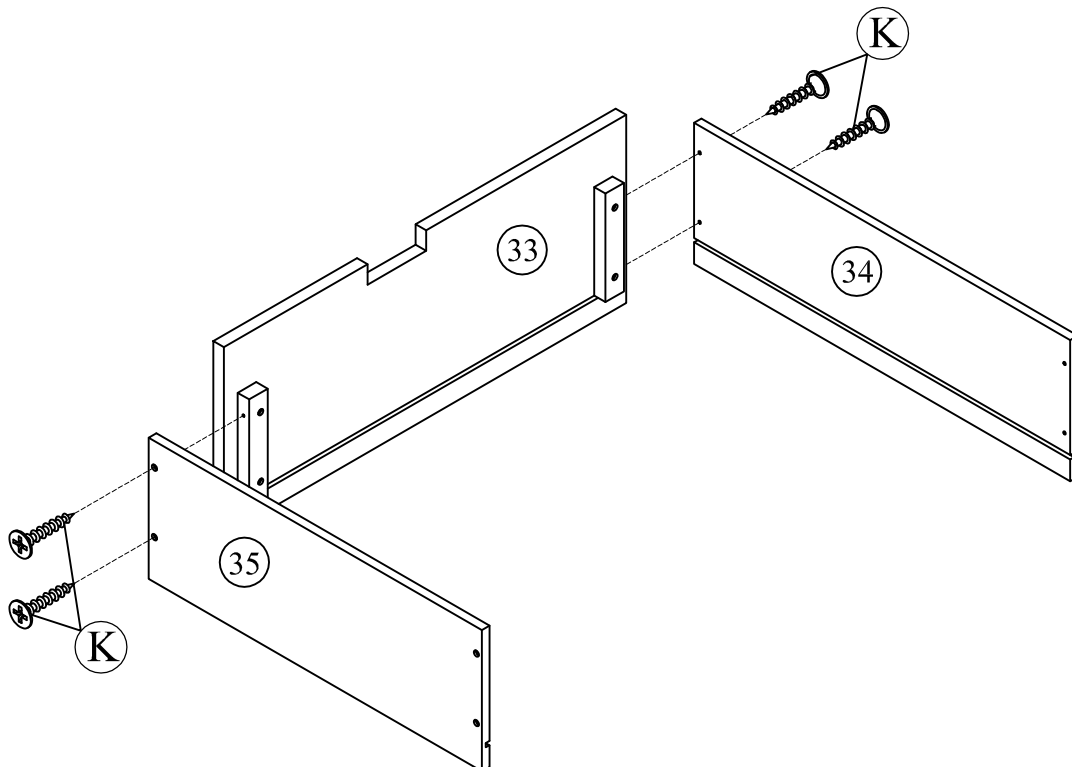


STEP 20:

(K)

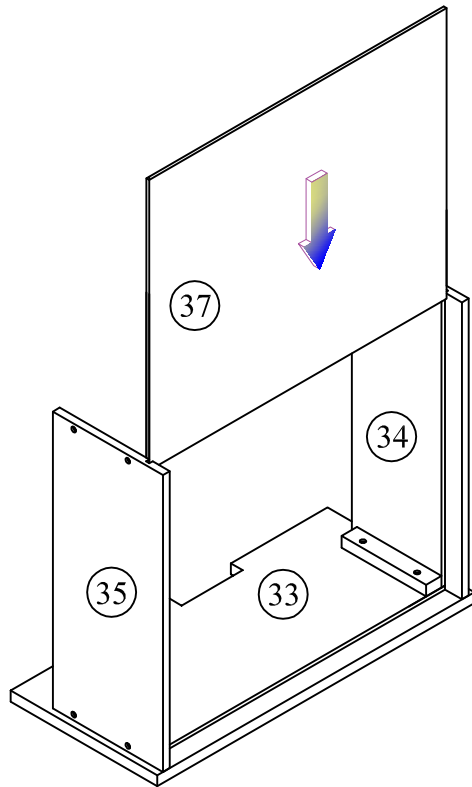


04



Drawer for cabinet under the table.

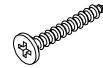
STEP 21:



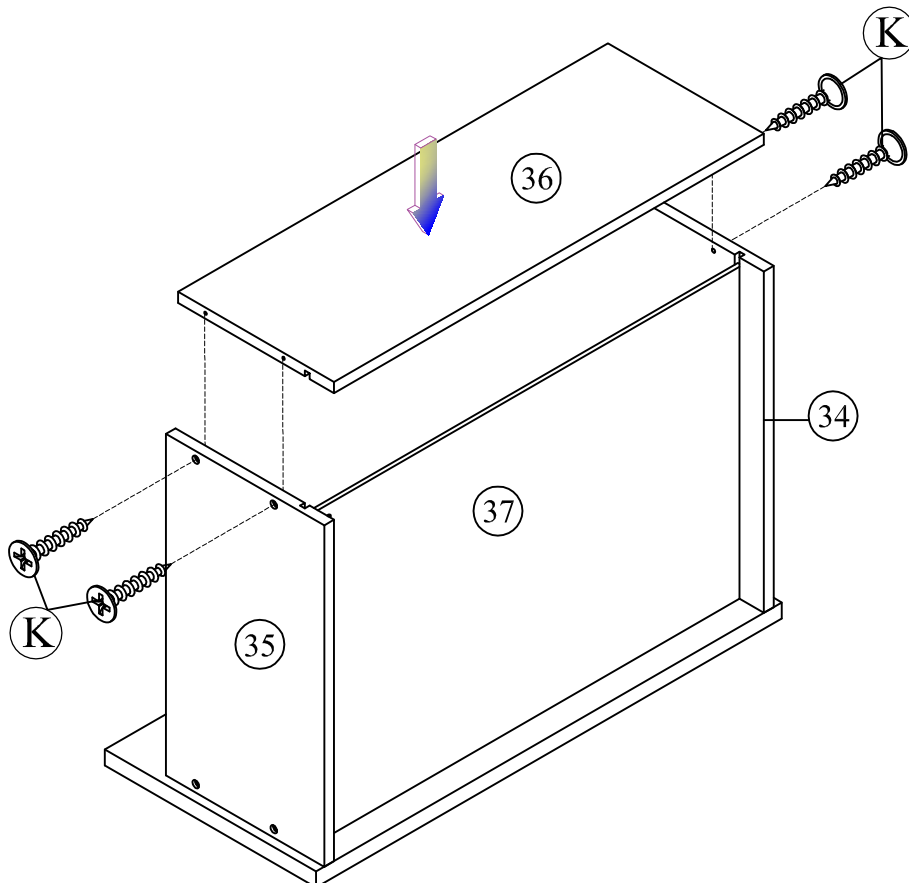
Drawer for cabinet under the table.

STEP 22:

(K)

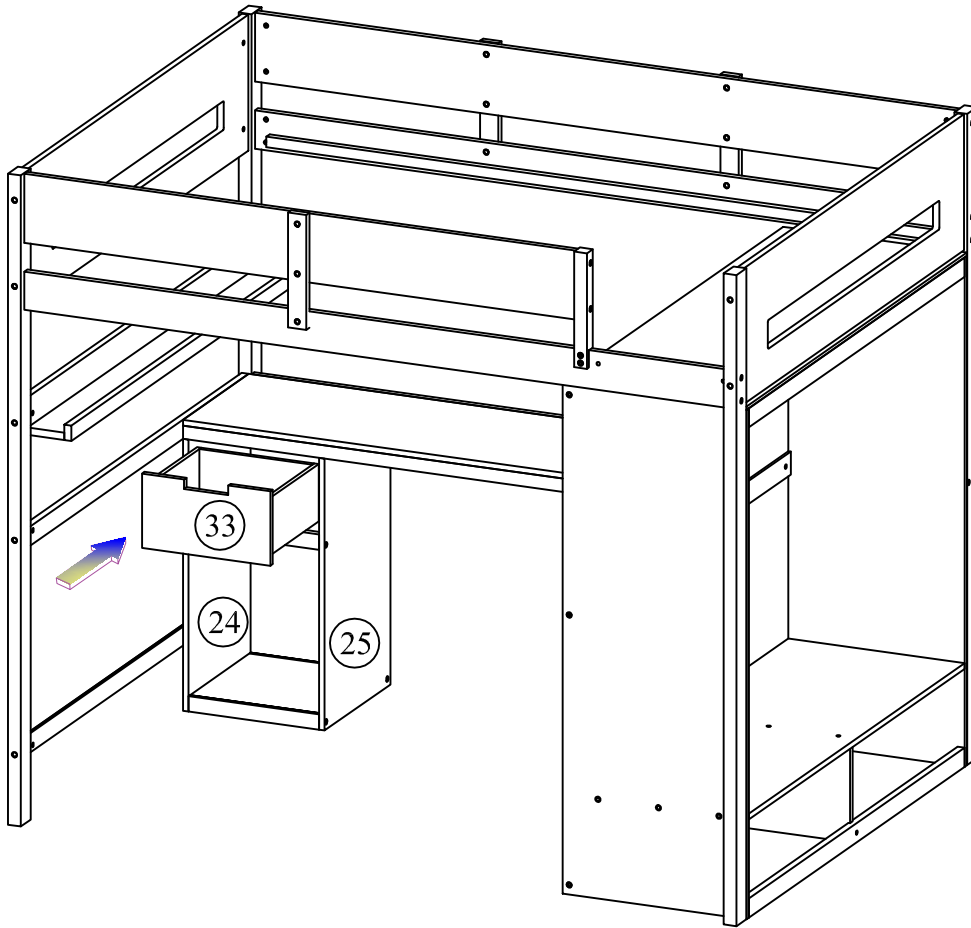


04


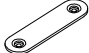


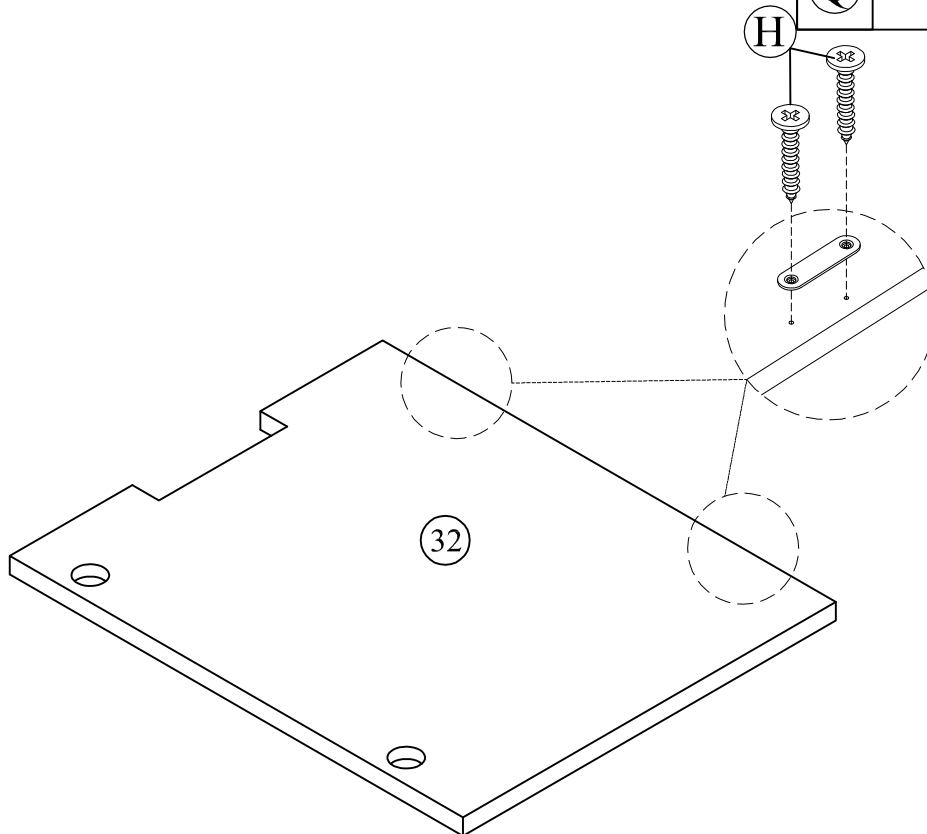
Drawer for cabinet under the table.

STEP 23:






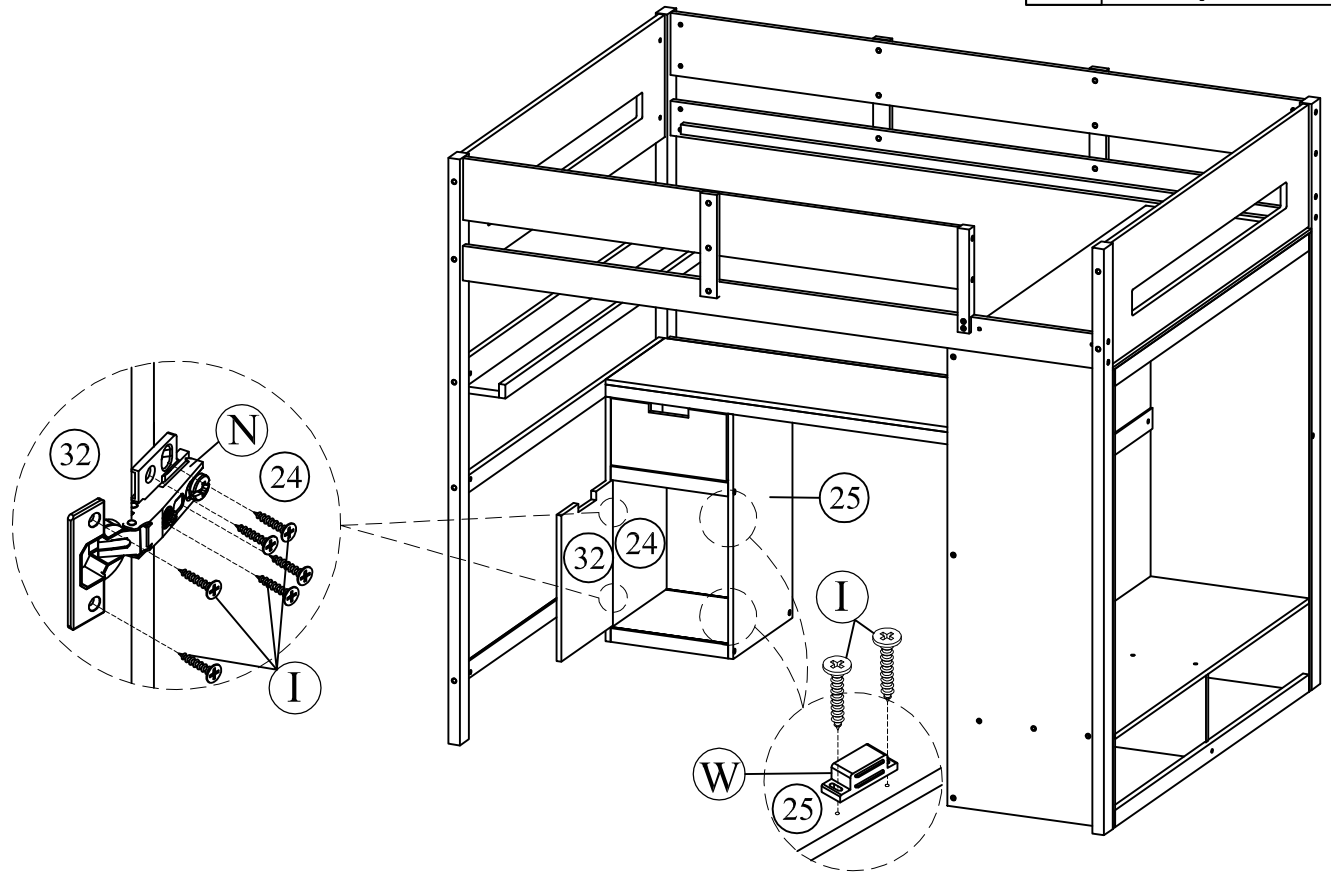
STEP 24:

(H)		04
(Q)		01

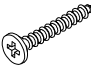


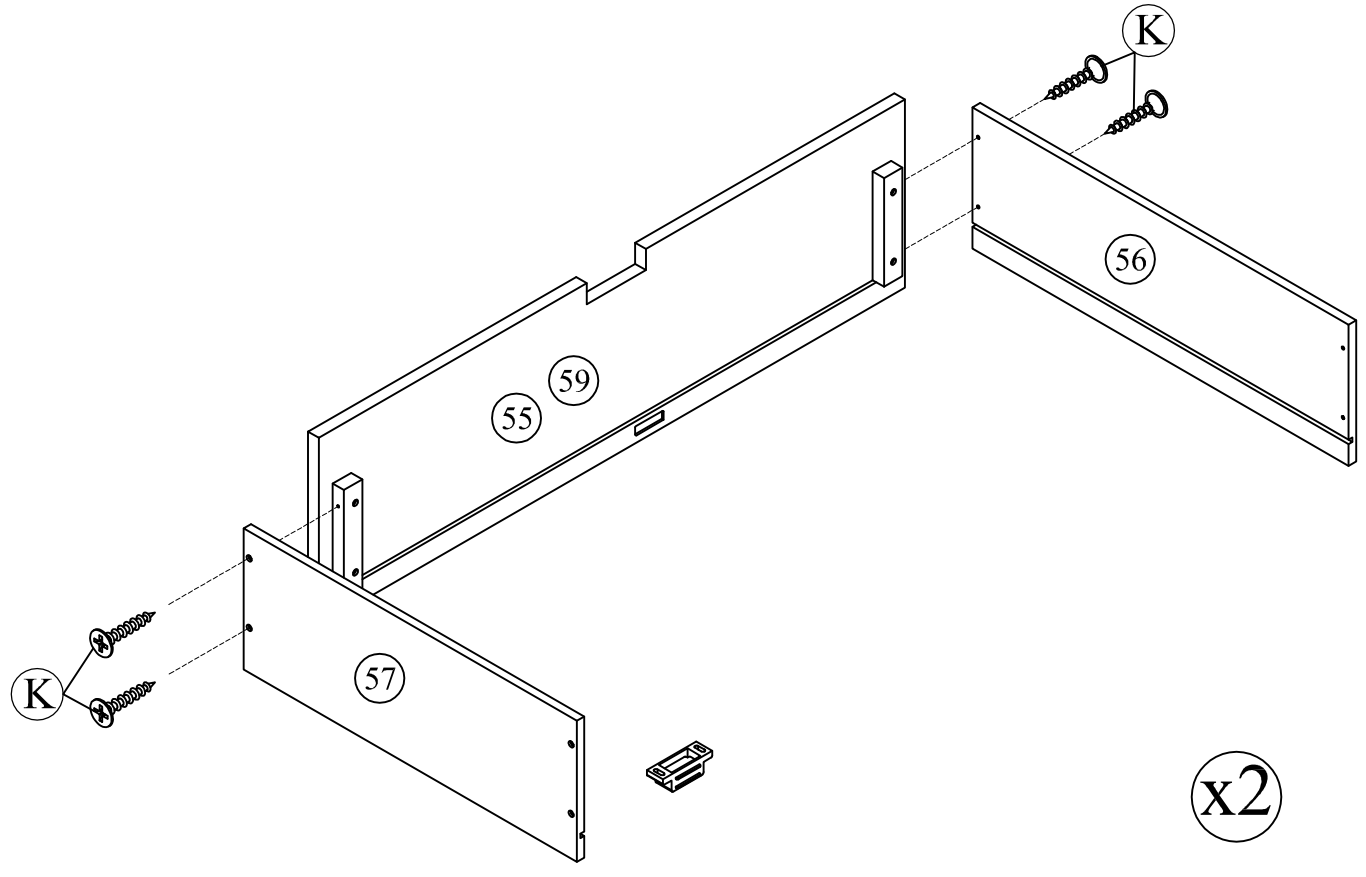
STEP 25:

(W)		02	(I)		16
			(N)		02



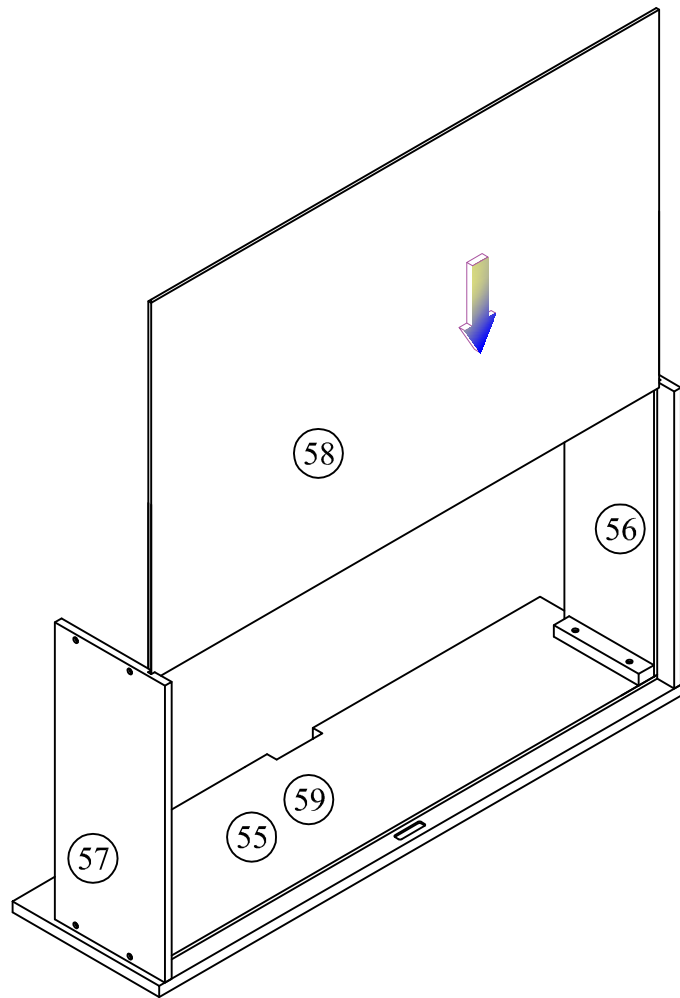
STEP 26:

(K)		08
-----	---	----



Drawer for wardrobe.

STEP 27:

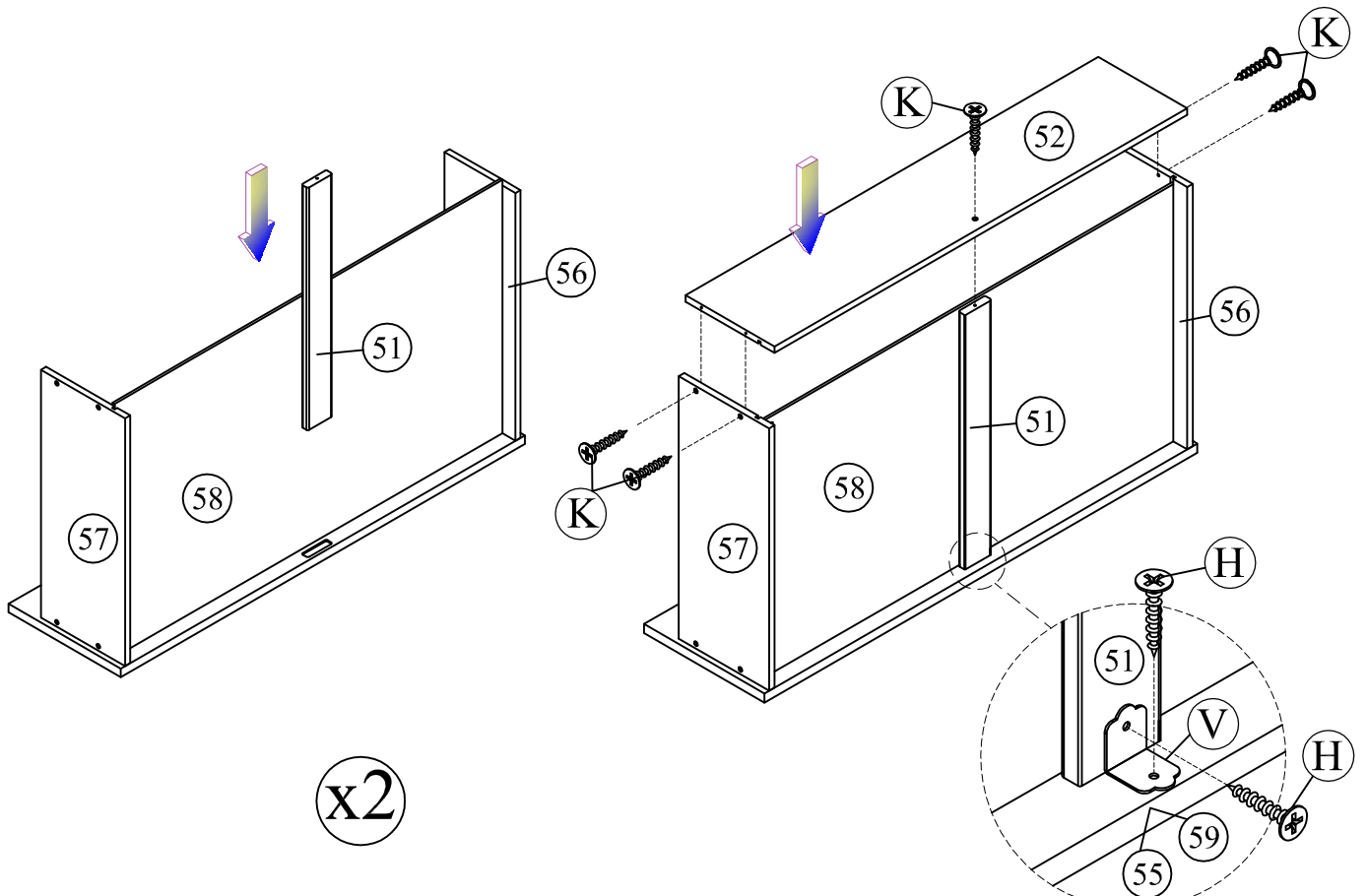


x2

Drawer for wardrobe.

STEP 28:

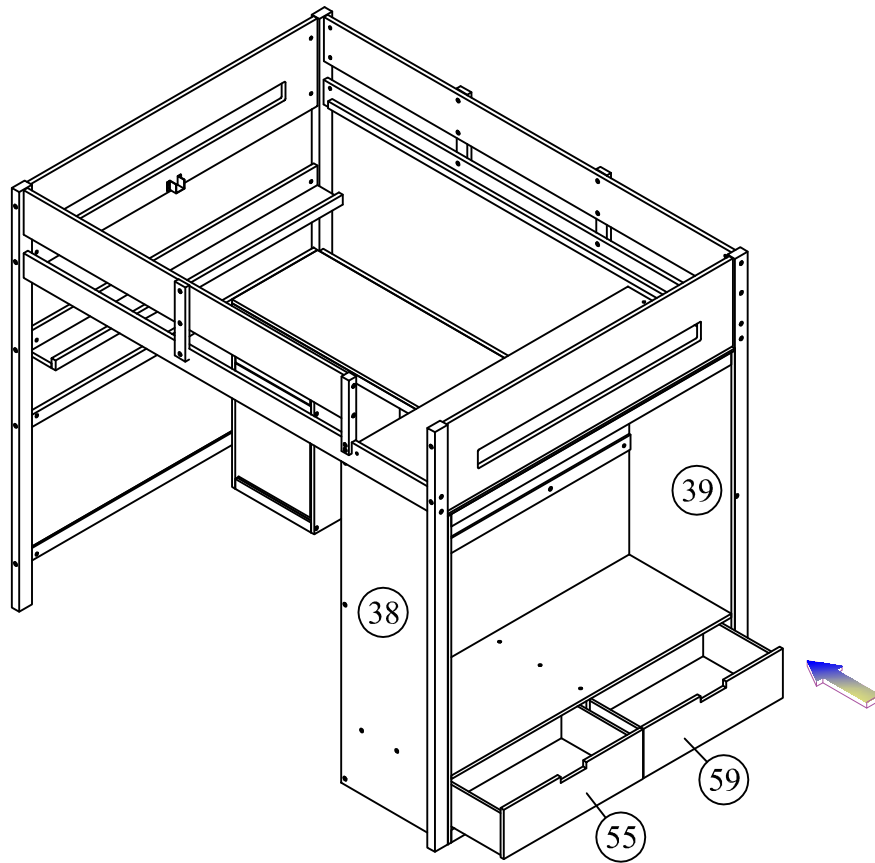
(H)		04	(K)		10	(V)		02
-----	--	----	-----	--	----	-----	--	----



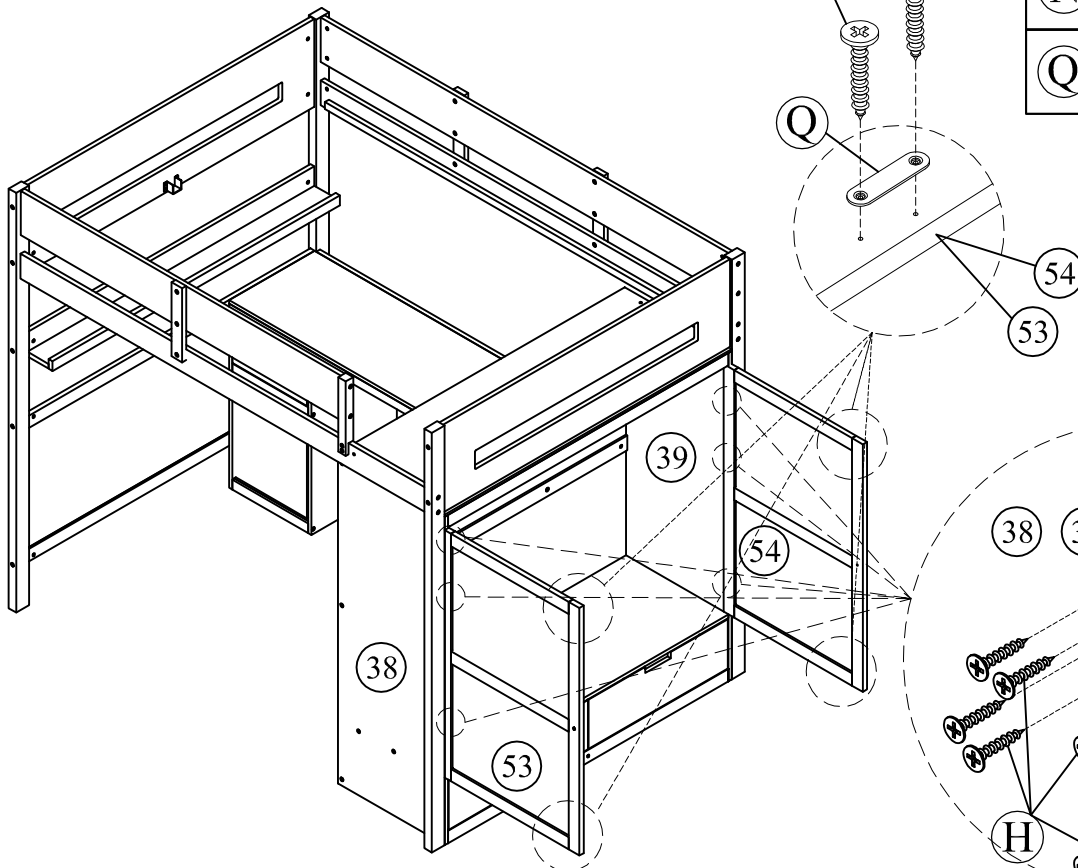
x2



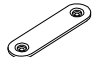
Drawer for wardrobe.

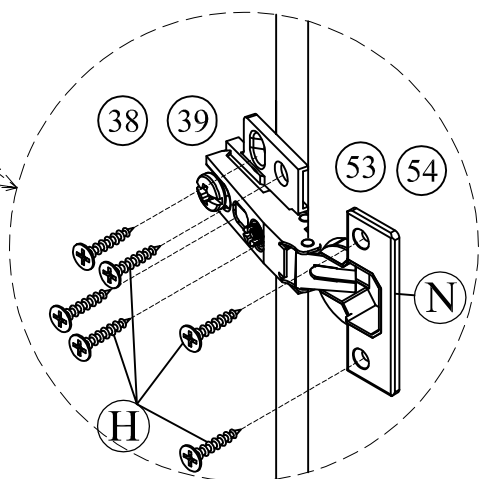
STEP 29:



STEP 30:

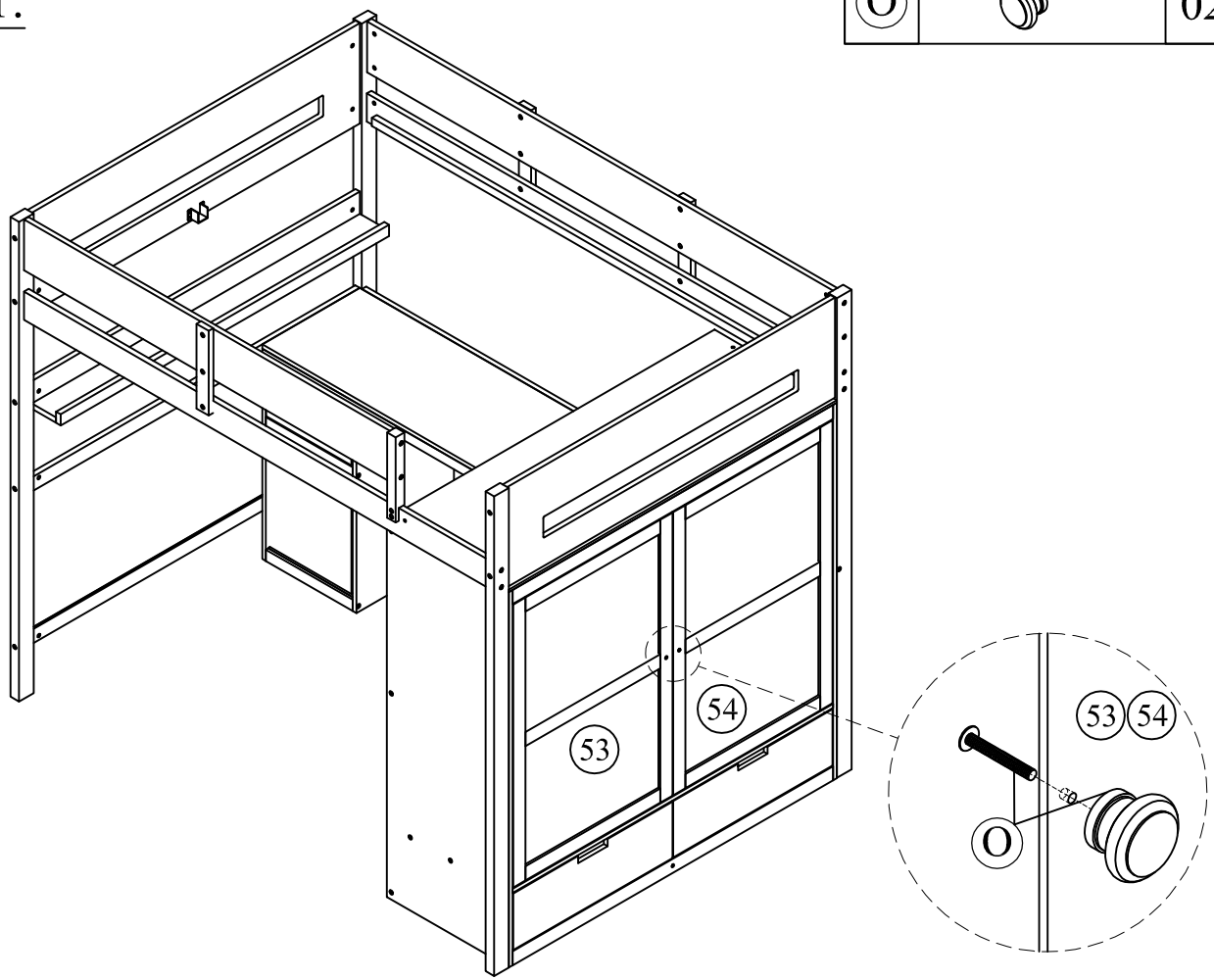


(H)		44
(N)		06
(Q)		04

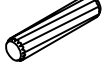





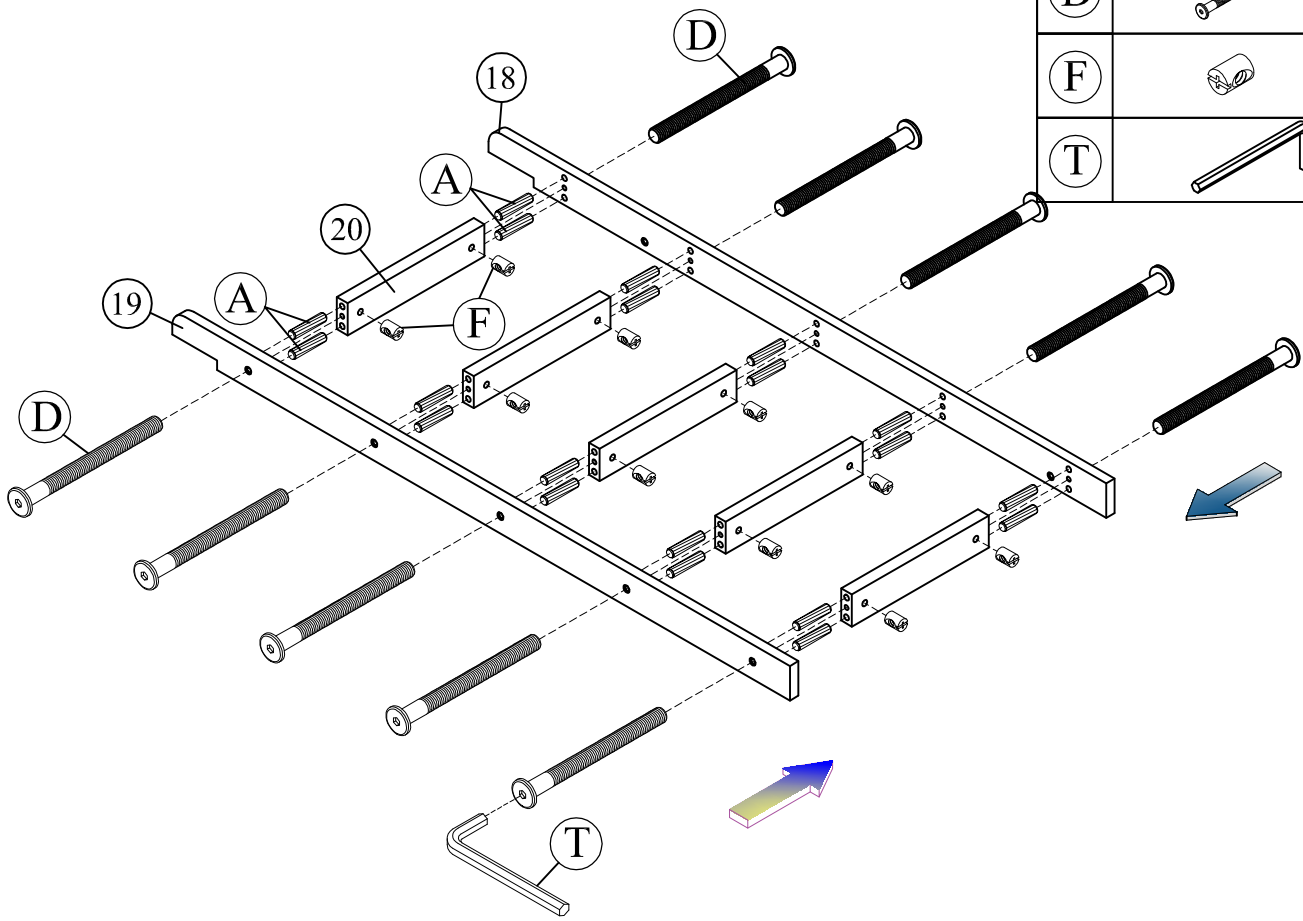
STEP 31:

(O)		02
-----	--	----

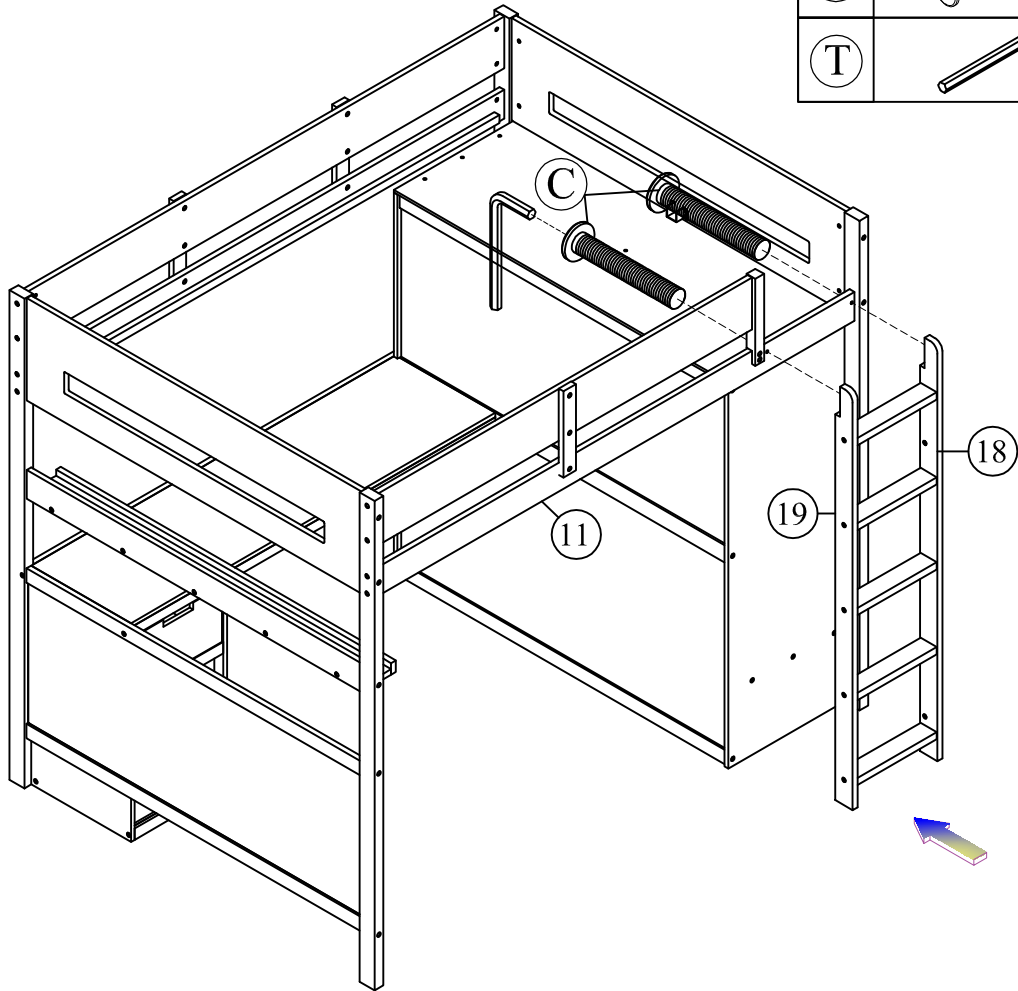


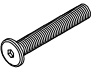

STEP 32:

(A)		20
(D)		10
(F)		10
(T)		01

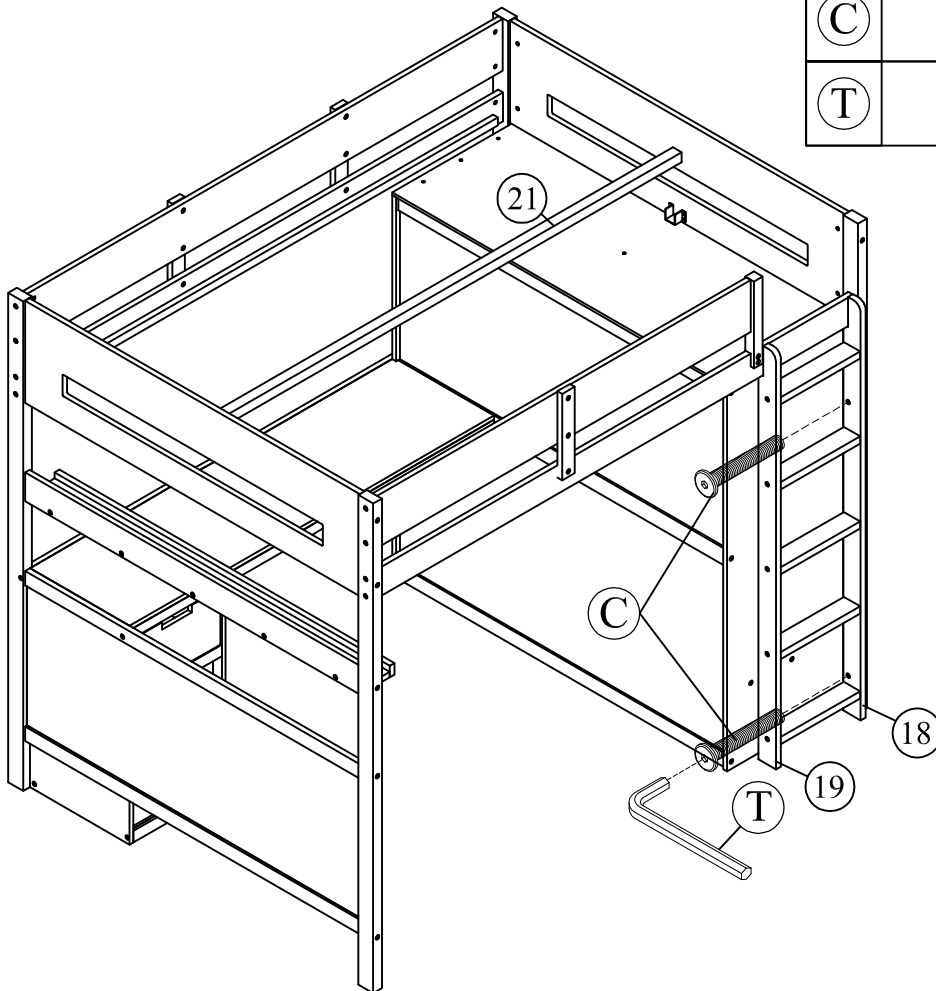




STEP 33:



(C)		02
(T)		01

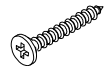
STEP 34:



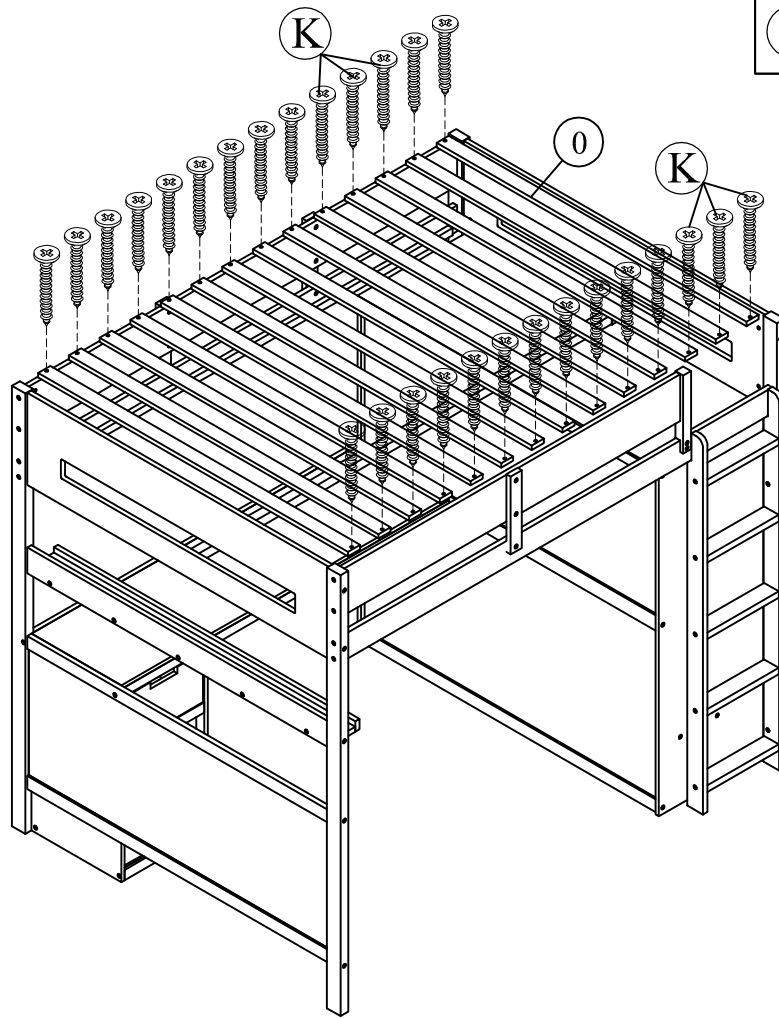
(C)		02
(T)		01

STEP 35:

(K)



28



FINAL:

