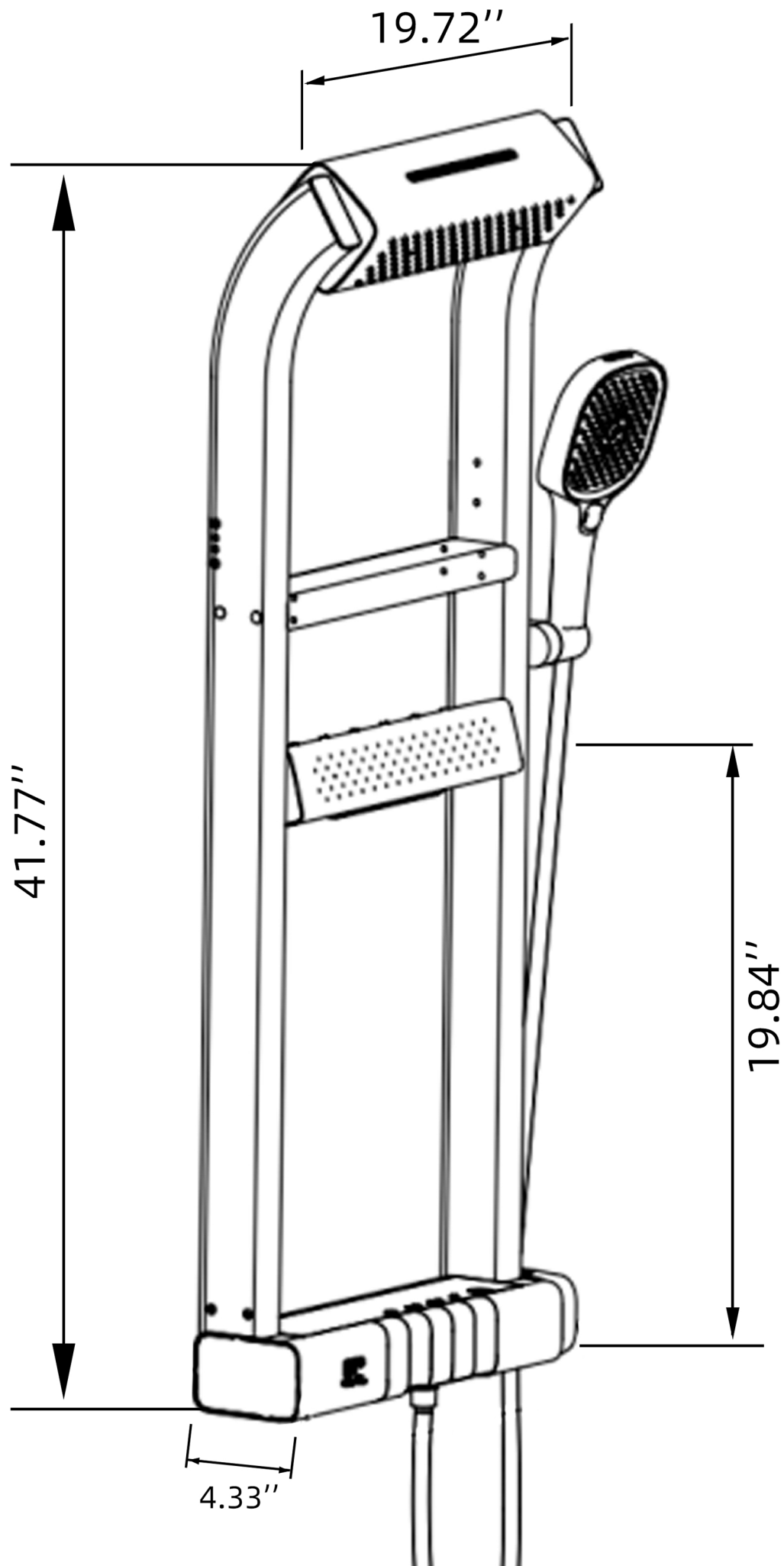


User's Manual



**Please Do Not Return the Product to the Store.
Contact us with any questions.**

Product size



BEFORE INSTALLATION

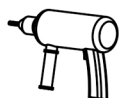
Installation Notes

1. After opening the product package, please check whether the spare parts are complete according to the accessories listed in the "Product Parts List". If there is any defect, please contact the local dealer immediately.
2. Check whether the preinstalled water supply connector is consistent with the water supply connector of the product.
3. Ensure that the distance from the center of the hot and cold water supply to the ceiling is greater than 1100mm; otherwise, it cannot be installed.
4. Shower body has been tested and adjusted by the factory, please do not disassemble.
5. Before installing the faucet, be sure to remove impurities and sludge in the embedded water supply to avoid clogging and affecting the function of the valve core and water discharge effect.
6. After installation, please check whether the connections are tight and whether there are leaks in the pipes.
7. The inlet water pressure requirement is $0.05\text{MPa} < \text{inlet water pressure} < 0.75\text{MPa}$. (including cold water pressure).

Prepare the following tools before installation



Phillips Screwdriver



Drill



Plumber Tape



Level



Test Connector



Tape



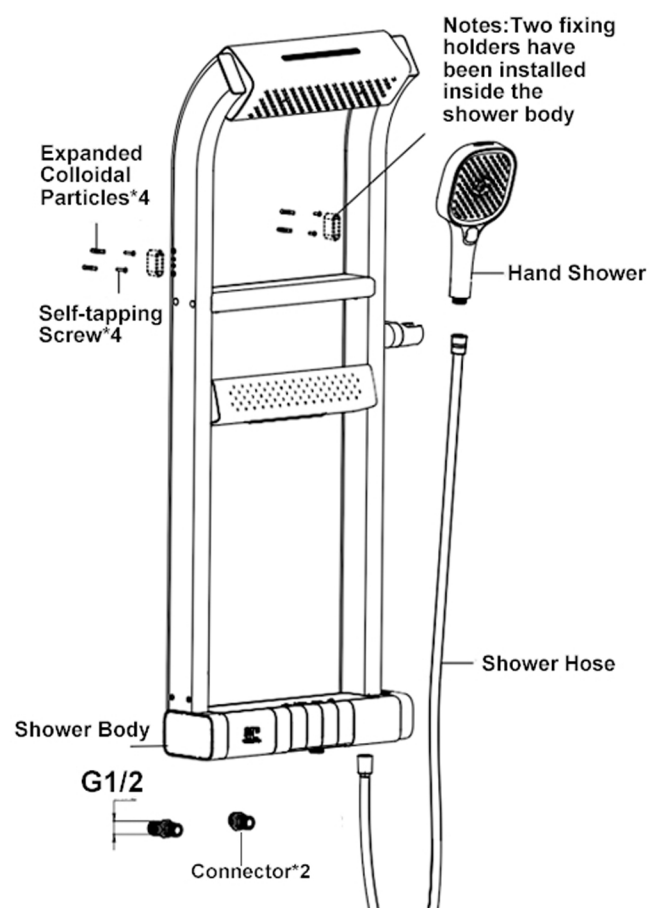
Allen Key



Marking Pen



Adjustable Wrench

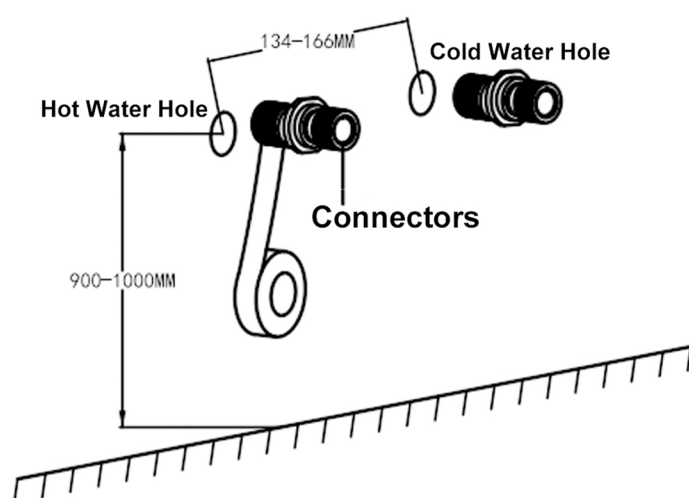


INSTALLATION STEPS

Step 1

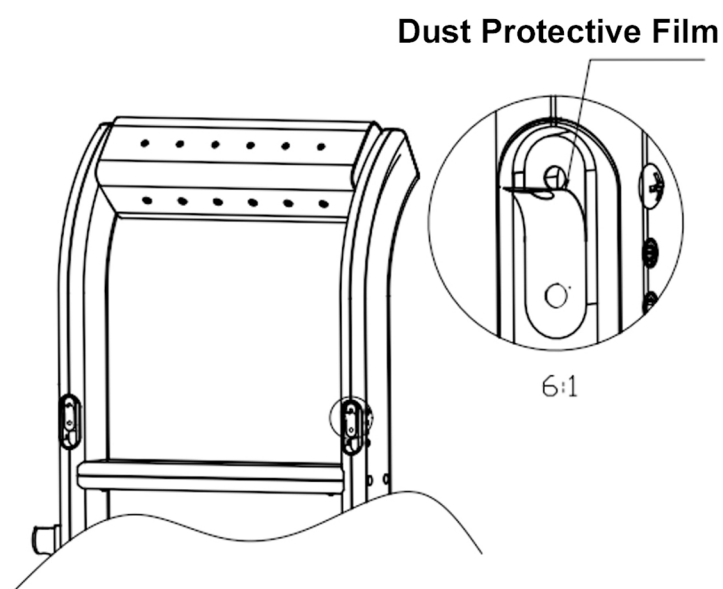
1. Ensure that the embedded threads in the wall are normal, the embedded joints should not protrude from the wall, and whether the left hot and right cold water supply are correct, otherwise it will affect the normal use of hot and cold water.

2. Wrap 15 to 20 turns of the plumber tape around the G/2 joint of the connector, tighten it with an adjustable wrench to the pre-embedded thread in the wall, and adjust the level of the two joints and the required installation dimensions.



Step 2

Tear the dust protective film on both sides of fixing holders (do not tear off the double-sided tape).



INSTALLATION STEPS

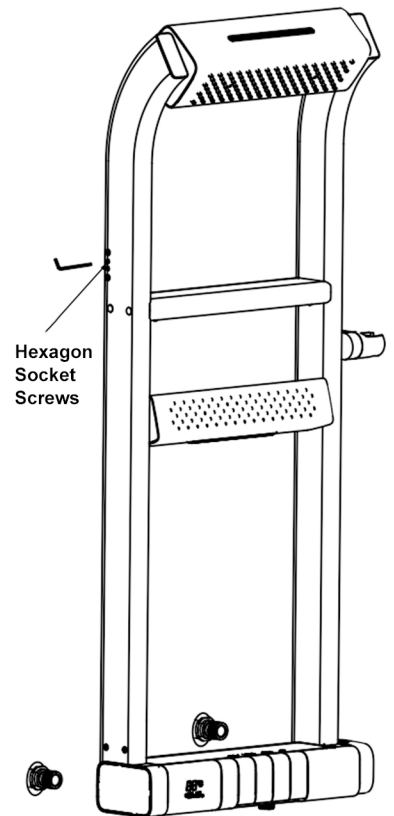
Step 3

Align the hot and cold water hose of the shower body with the connector and re-merge the shower body with the wall.

And push fixing holders to make it close to the wall.

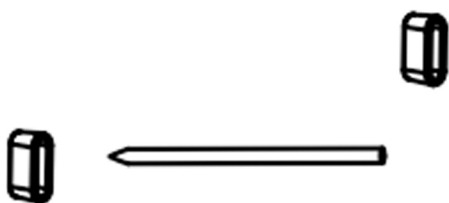
Then loosen the two hexagonal socket screws on both sides counterclockwise and remove the shower body.

(Make sure the wall base is tight against the wall).



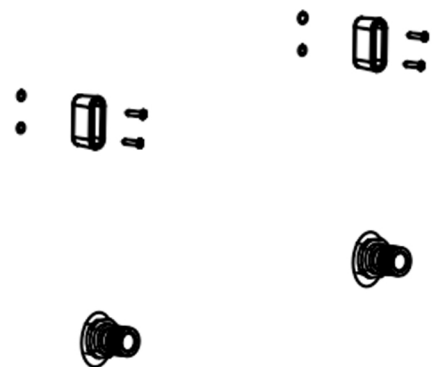
Step 4

Mark the four drilling positions of the two side fixing holders with a marking pen, remove the fixing holders, drill holes in the corresponding marking positions with a 6mm drill bit, and knock the expanded colloidal particles into the holes to make them level with the wall.



Step 5

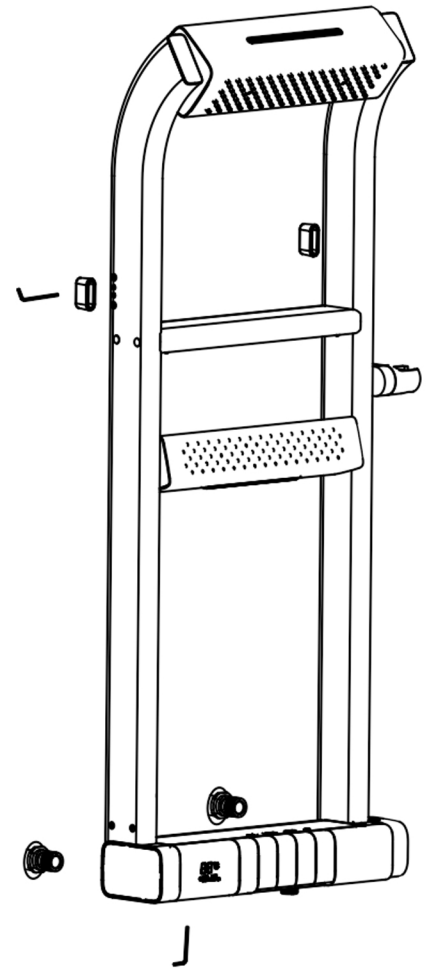
Re-tighten the removed fixing holders with a Phillips screwdriver and self-tapping screws.



INSTALLATION STEPS

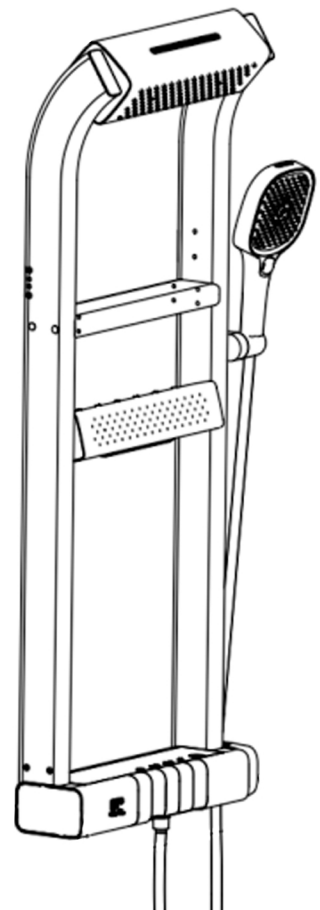
Step 6

Re-align the hot and cold water holes of the shower body with the connectors and the wall base to make the shower body coincide with the wall, and lock the hexagon socket screws at the hot and cold interfaces of the shower body and the fixing screws of the fixing holders respectively.



Step 7

Install shower hose on hand shower and install it on the corresponding joints of the shower body. After the installation is complete, test the water and check the connection points to ensure that there is no leakage and the water of each function is normal.



Care and maintenance

To maintain a clean, bright appearance and optimal performance of your shower head, please follow these care instructions:

1. Rinse with water only and dry with a soft cotton cloth.
2. For surface dirt or limescale buildup, use a mild liquid detergent or a colorless, non-abrasive glass cleaner. A non-abrasive polish may also be used.
3. Do NOT use: abrasive detergents or polishes, emery cloth, paper towels, scrapers, etc.
4. Do NOT use: acidic cleaners, or cleaners and soaps containing insoluble granules.
5. Mineral deposits may accumulate in the shower head over time, reducing water flow. If this occurs, unscrew the shower head, rinse it thoroughly with water, and screw it back into place.





**Please Do Not Return the Product to the Store.
Contact us with any questions.**