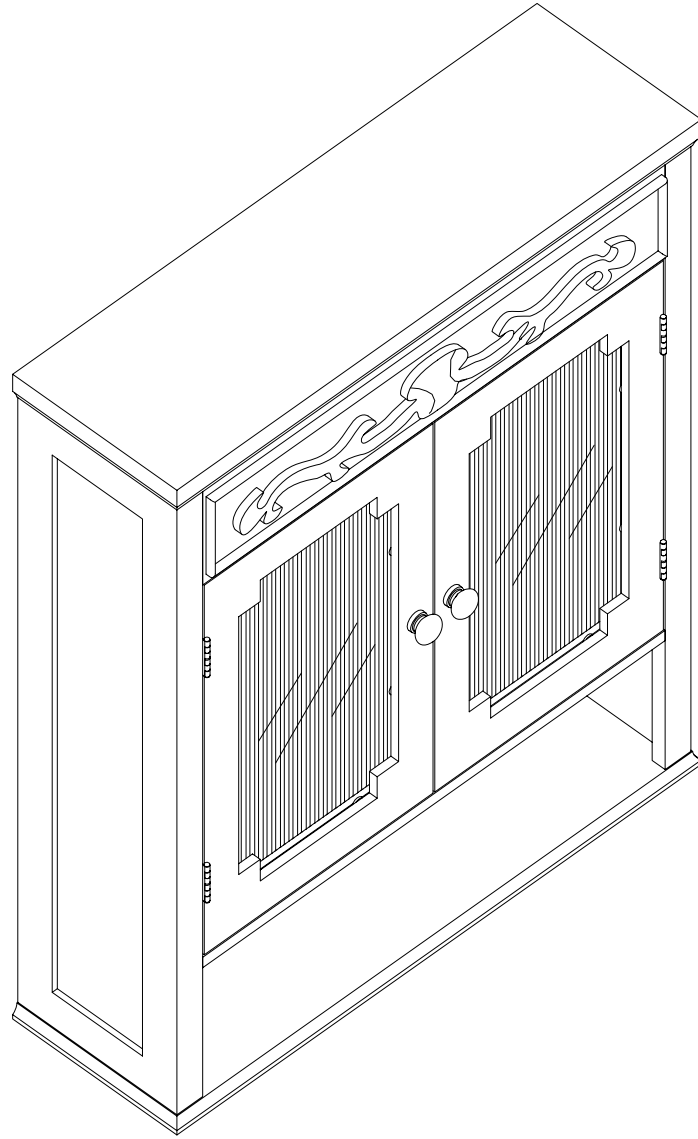
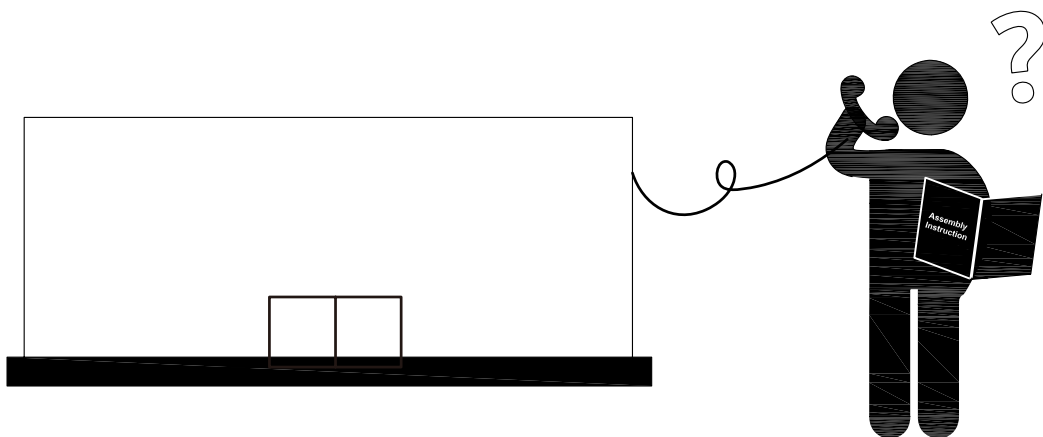
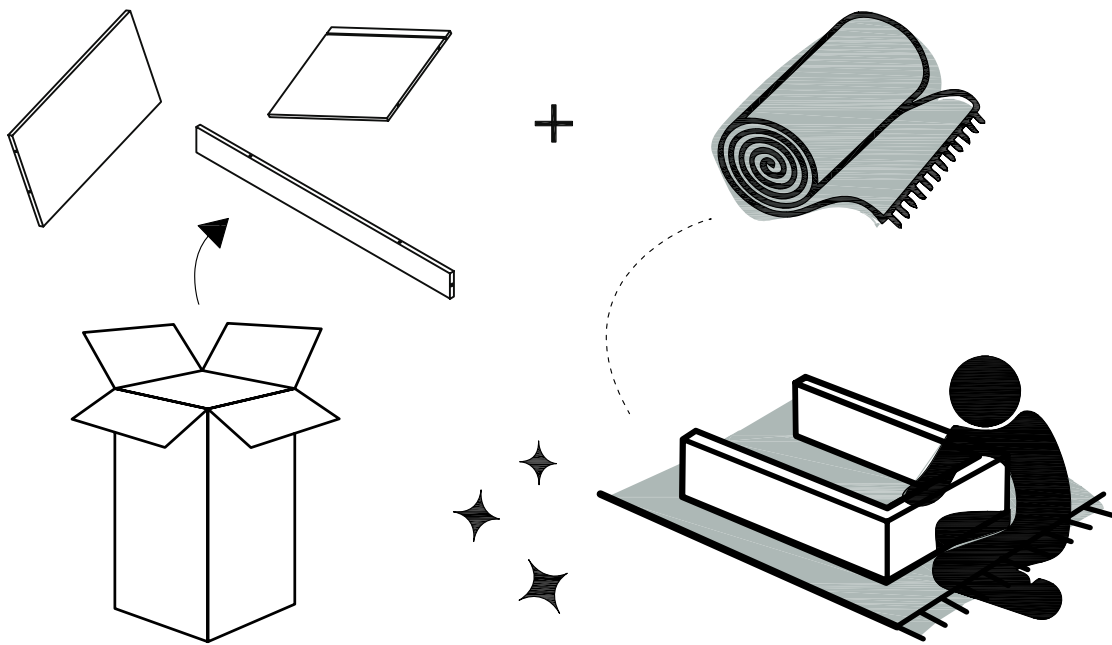
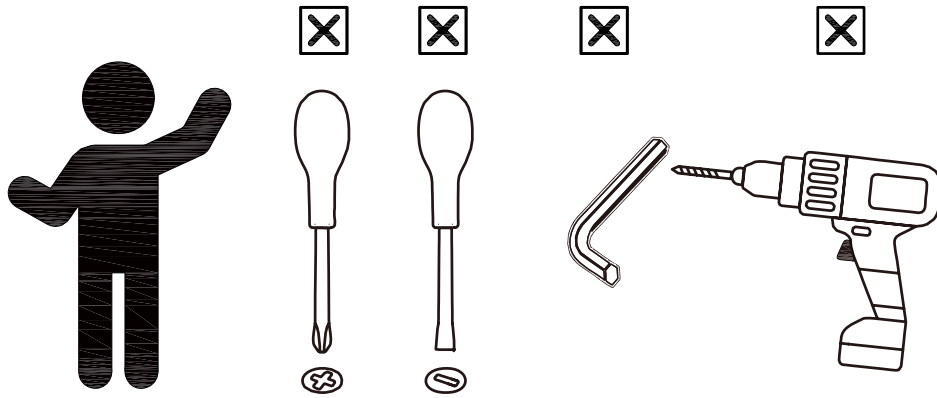


# Wall Cabinet 2 Doors





\*\* Got questions? Please have your product code and the order number ready, give us a call or email us through our customer care support! We are always ready to assist you!

**ASSEMBLY INSTRUCTIONS-IMPORTANT**

Carefully unpack & identify each component before attempting to assemble. Refer to parts list. Please take care when assembling the unit and always set the parts on a clean, soft surface. If you require any assistance with assembly, parts, please call the company you place order with

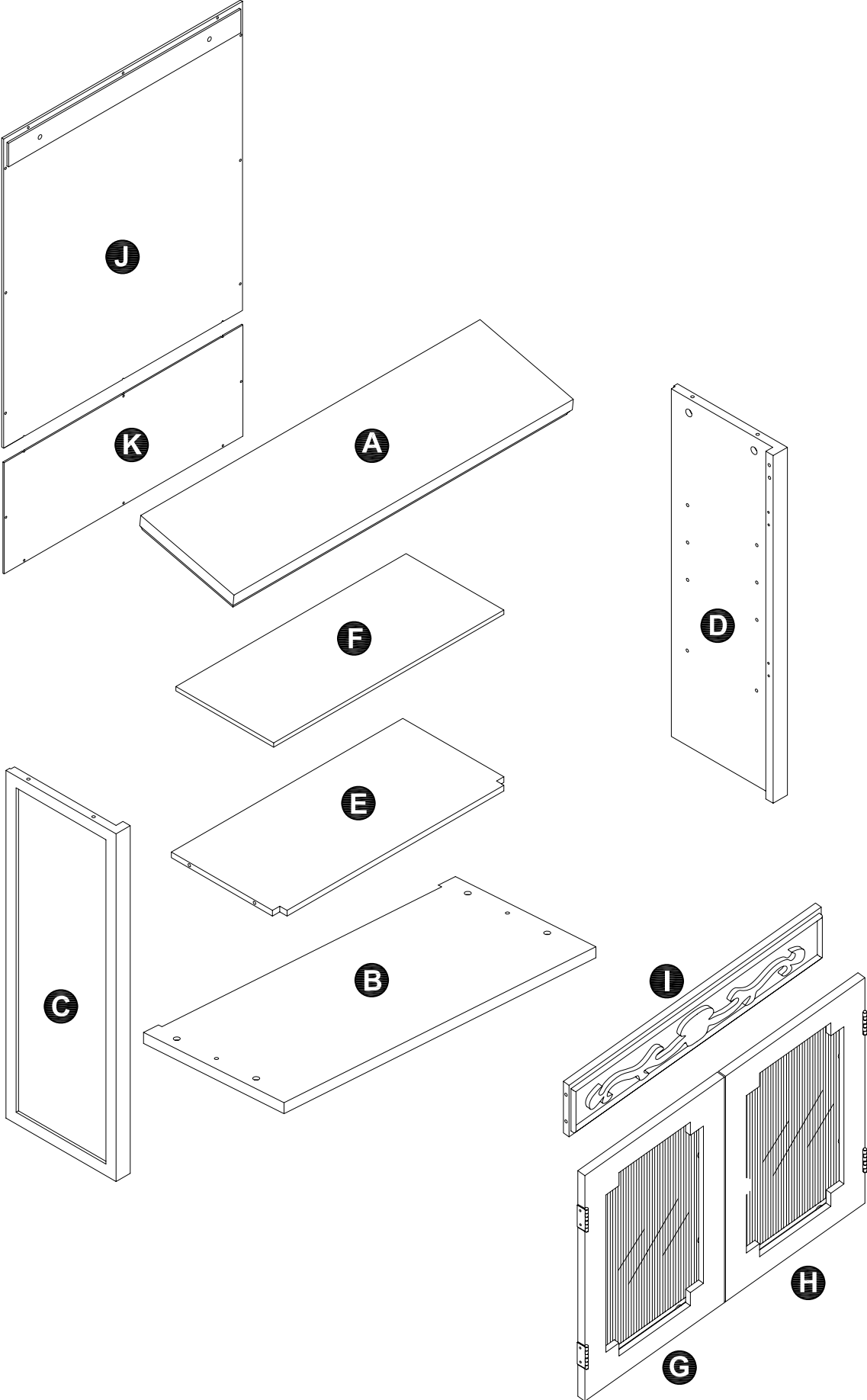
**INSTRUCCIONES PARA ARMAR-IMPORANT:**

Desempaque cuidadosamente e identifique cada componente antes de tartar de empezar su ensambladura. Verifique la lista de partes. Por favor tenga cuidado cuando arme la unidad y siempre coloque las piezas sobre una superficie plana, suave y limpia.

**DIRECTIVES DE MONTAGE-IMPORTANT:**

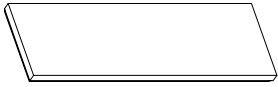
Avant de commencer l' assemblage, déballez délicatement toutes les pièces et repérez-les sur la liste des pièces. Procédez avec soins durant l' assemblage et posez toujours les pièces sur une surface proper, douce et lisse.

# Exploded Drawing



# Product Parts

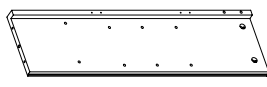
**A**



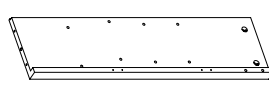
**B**



**C**



**D**



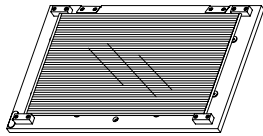
**E**



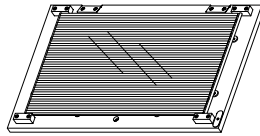
**F**



**G**



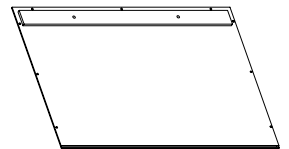
**H**



**I**



**J**



**K**

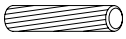


## WARNING:

1. Do not let any sharp objects touch or rub the surface of the product.
2. When assembling, do not let children play around the working area.
3. Please confirm all parts are correct before starting the assembly process.
4. Do not tighten all bolts and screws completely until the entire unit has been assembled and set up.

# Hardware

1



12 pcs

2



4 pcs

3



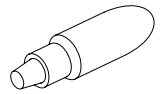
4 pcs

4



4 pcs

5



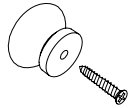
6



Ø3\*15 mm

8 pcs

7



2 sets

8



Ø3\*12 mm

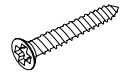
17 pcs

9



4 pcs

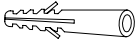
10



Ø4\*50mm

6 pcs

11



2 pcs

12



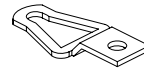
2 pcs

13




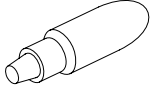
2 pcs

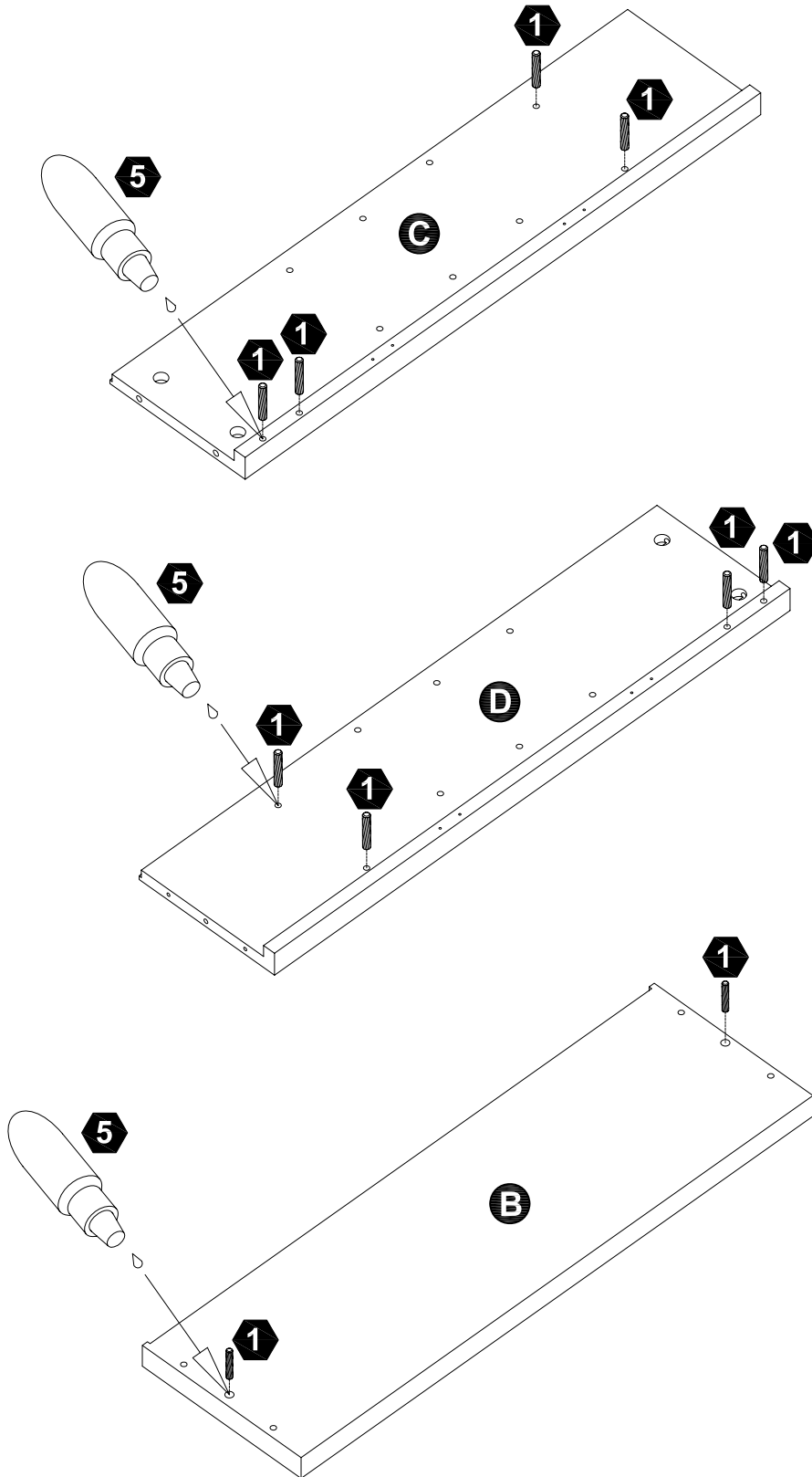
14



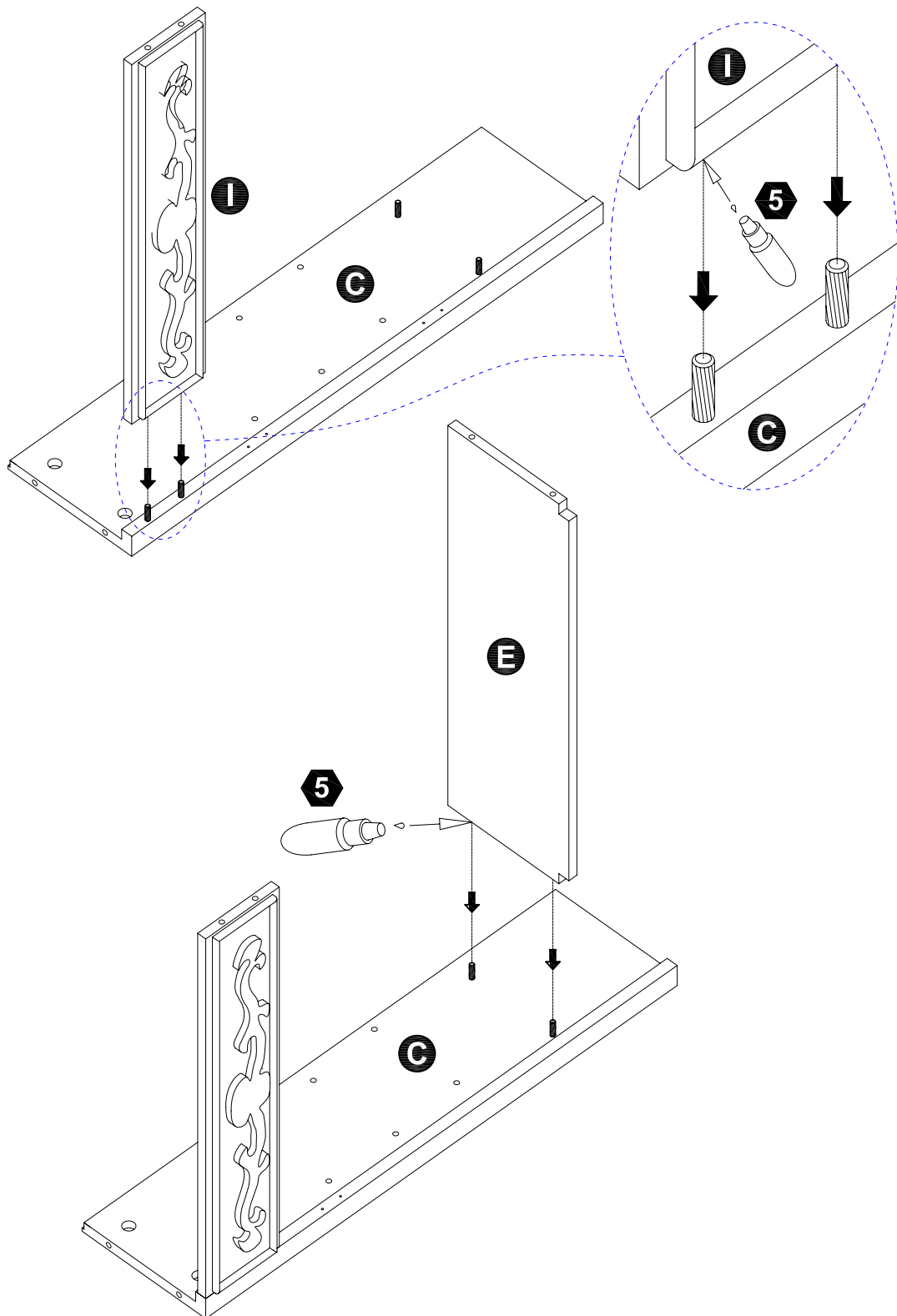
2 pcs

# Step 1

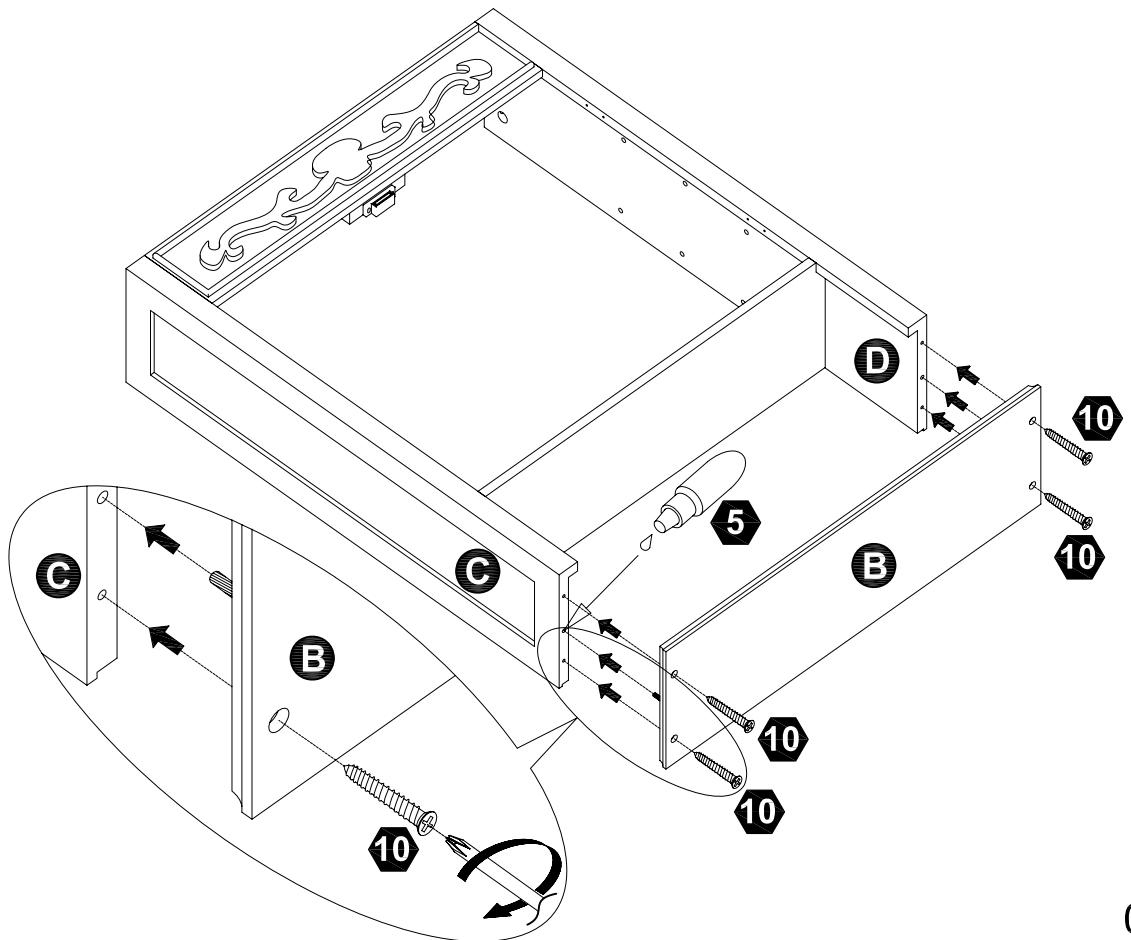
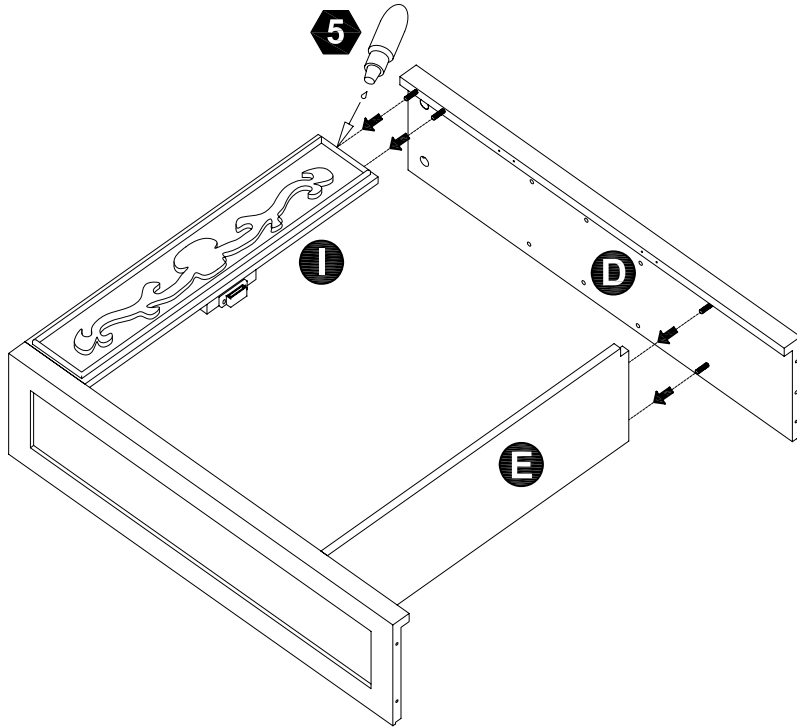
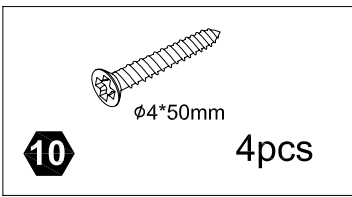
 <b>1</b> 10pcs	 <b>5</b>		
---	---	--	--



# Step 2

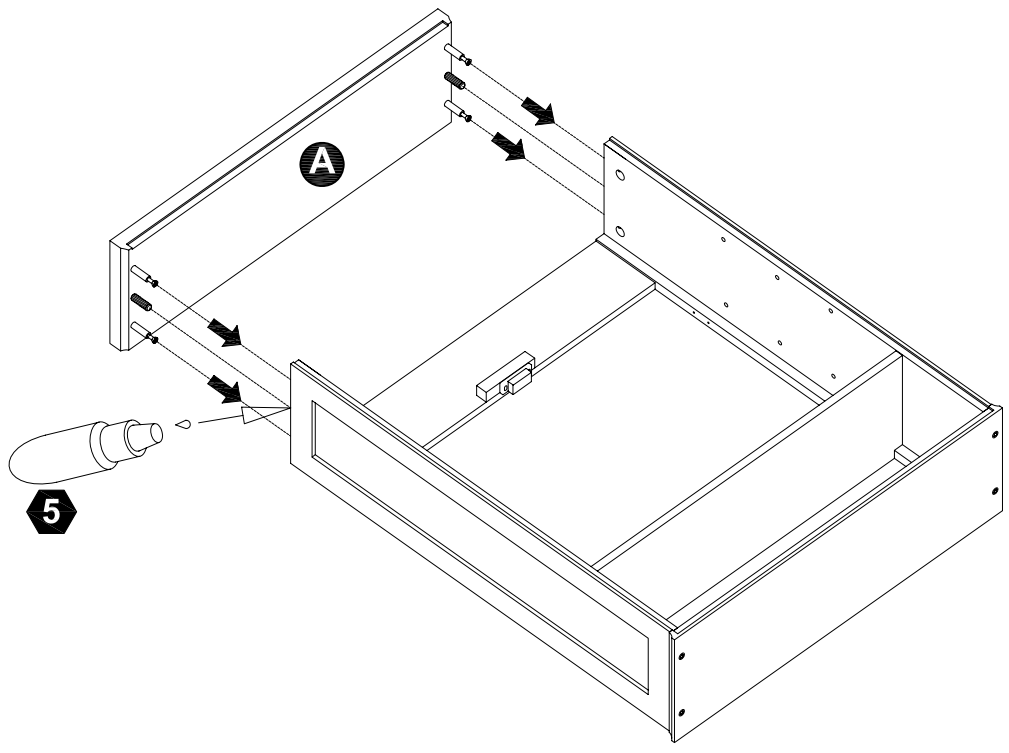
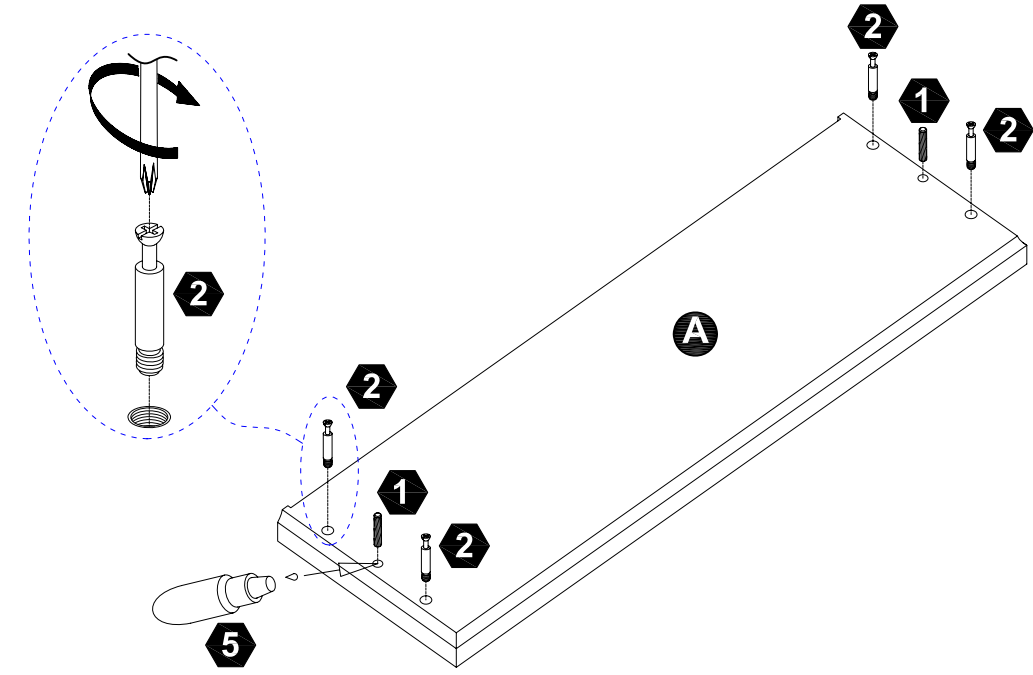


# Step 3



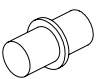


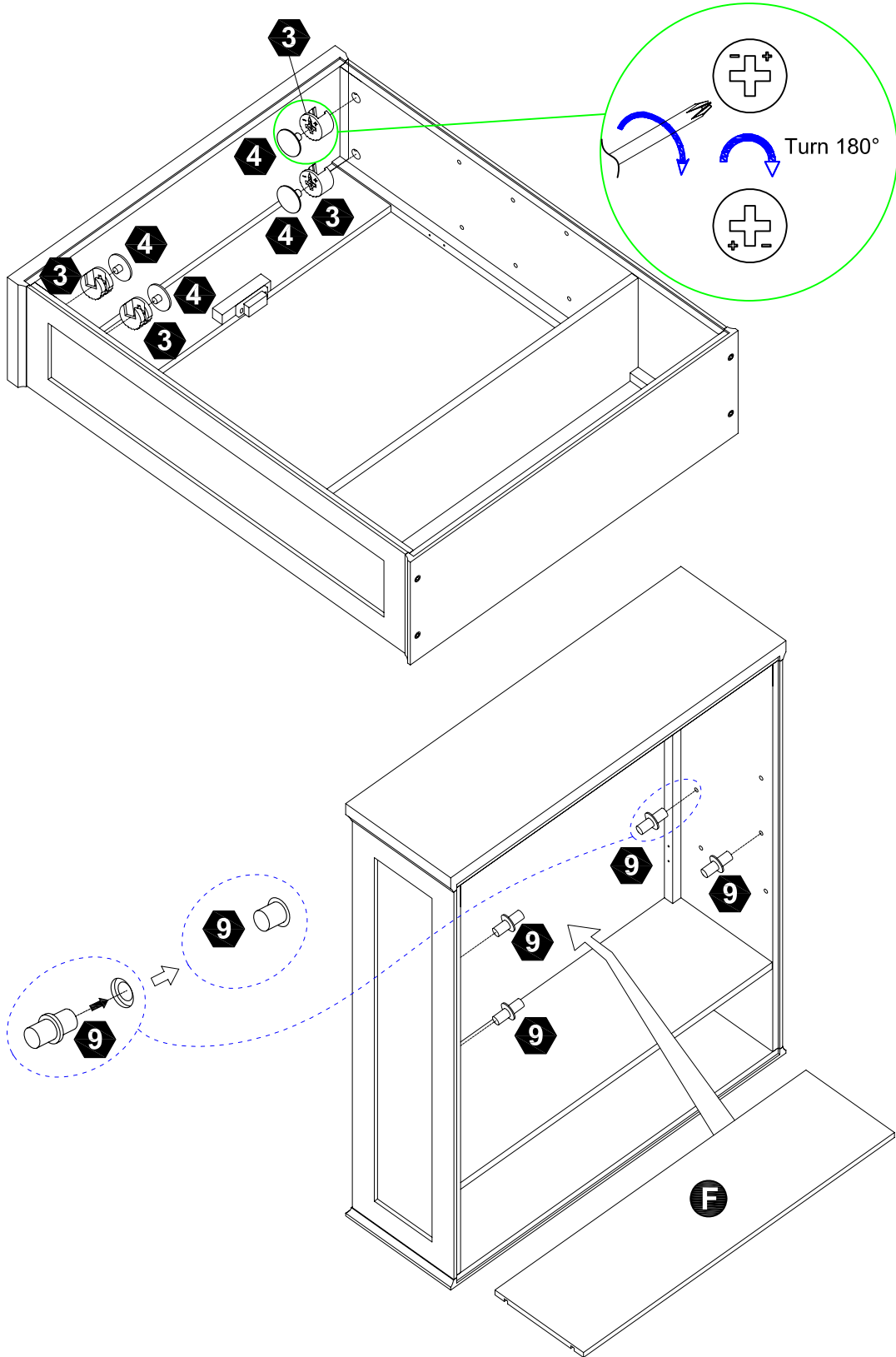
# Step 4

 <p><b>1</b> 2pcs</p>	 <p><b>2</b> 4pcs</p>		
--	--	--	--



# Step 5

 <b>3</b> 4pcs	 <b>4</b> 4pcs	 <b>9</b> 4pcs	
--	--	---	--



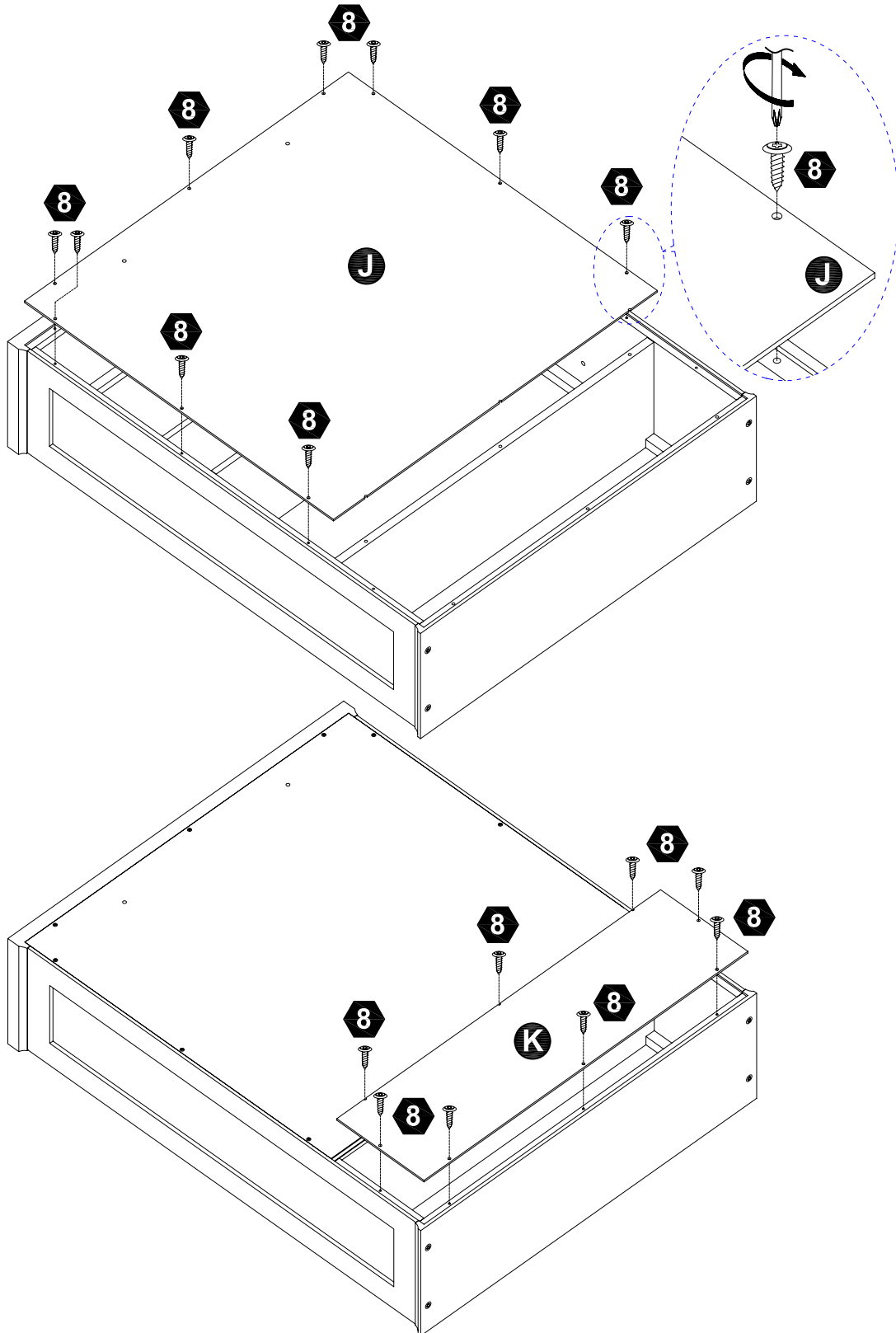
# Step 6



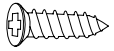
Ø3\*12 mm

8

17pcs



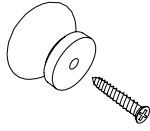
# Step 7



Ø3\*12 mm

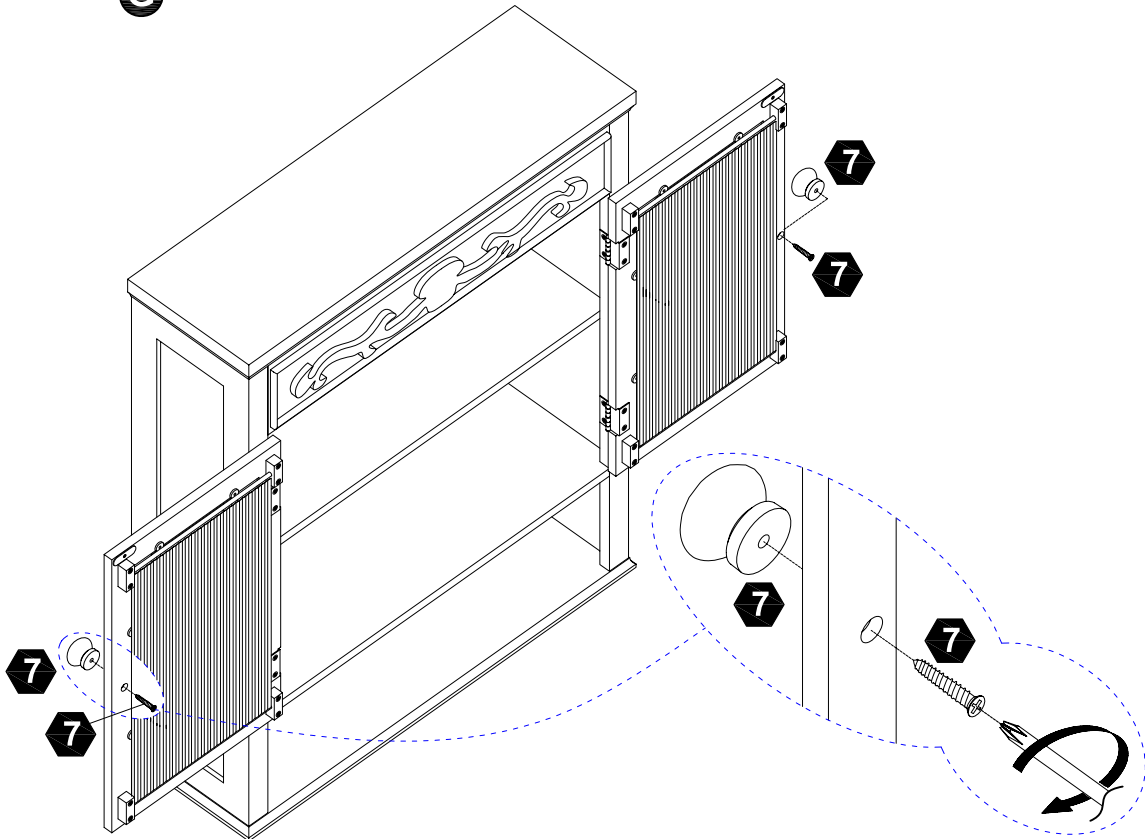
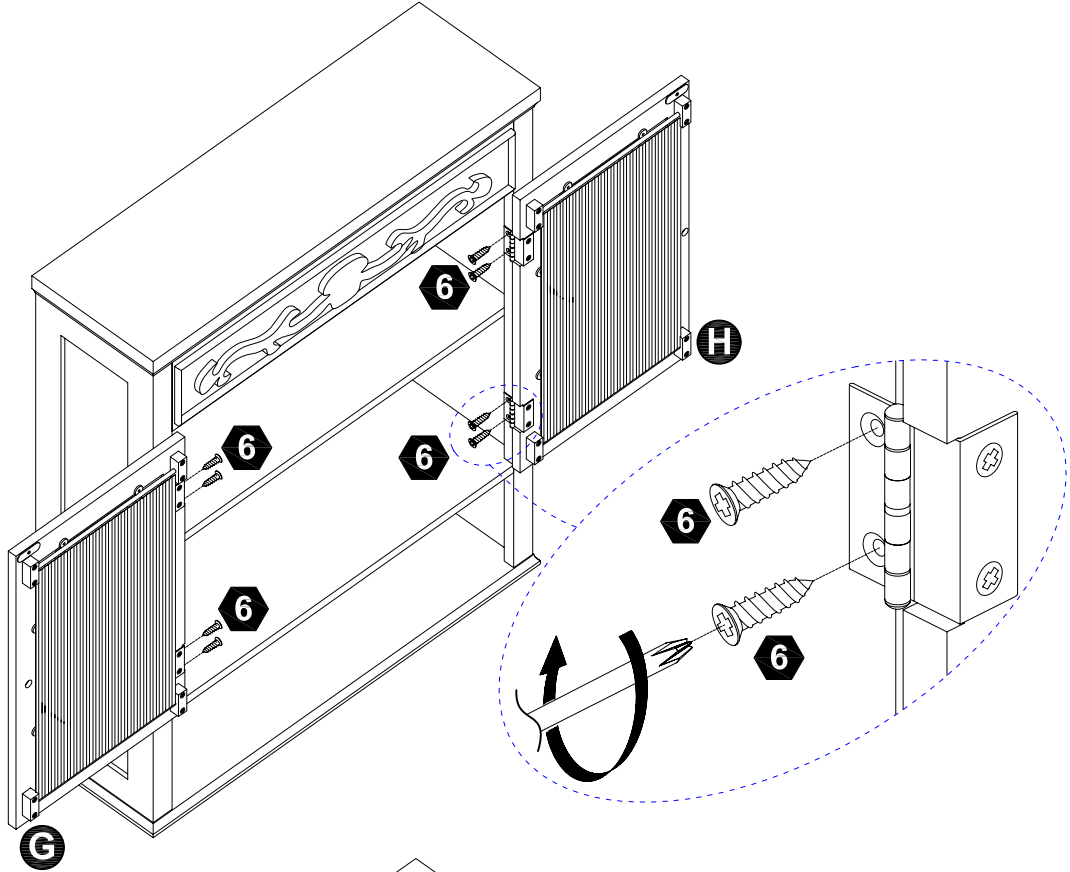
6

8pcs

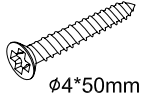
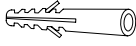

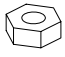


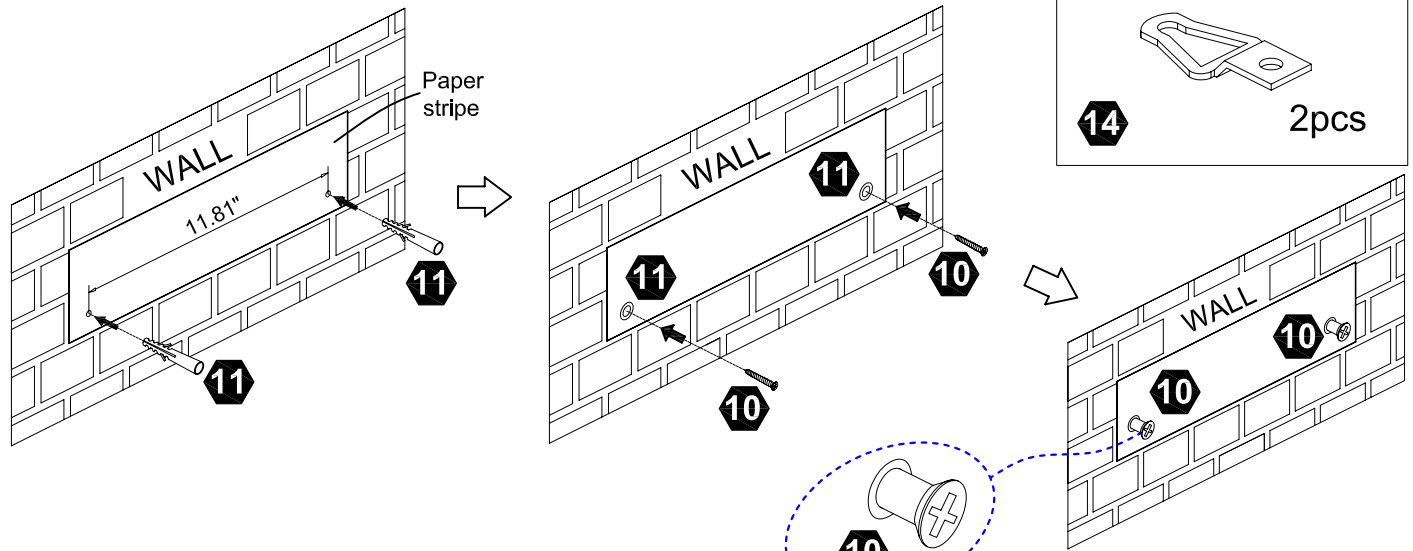
7

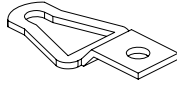
2sets



# Step 8

 <p><b>10</b>      2pcs</p>	 <p><b>11</b>      2pcs</p>	 <p><b>12</b>      2pcs</p>	 <p><b>13</b>      2pcs</p>
--	--	--	--



 <p><b>14</b>      2pcs</p>
--

