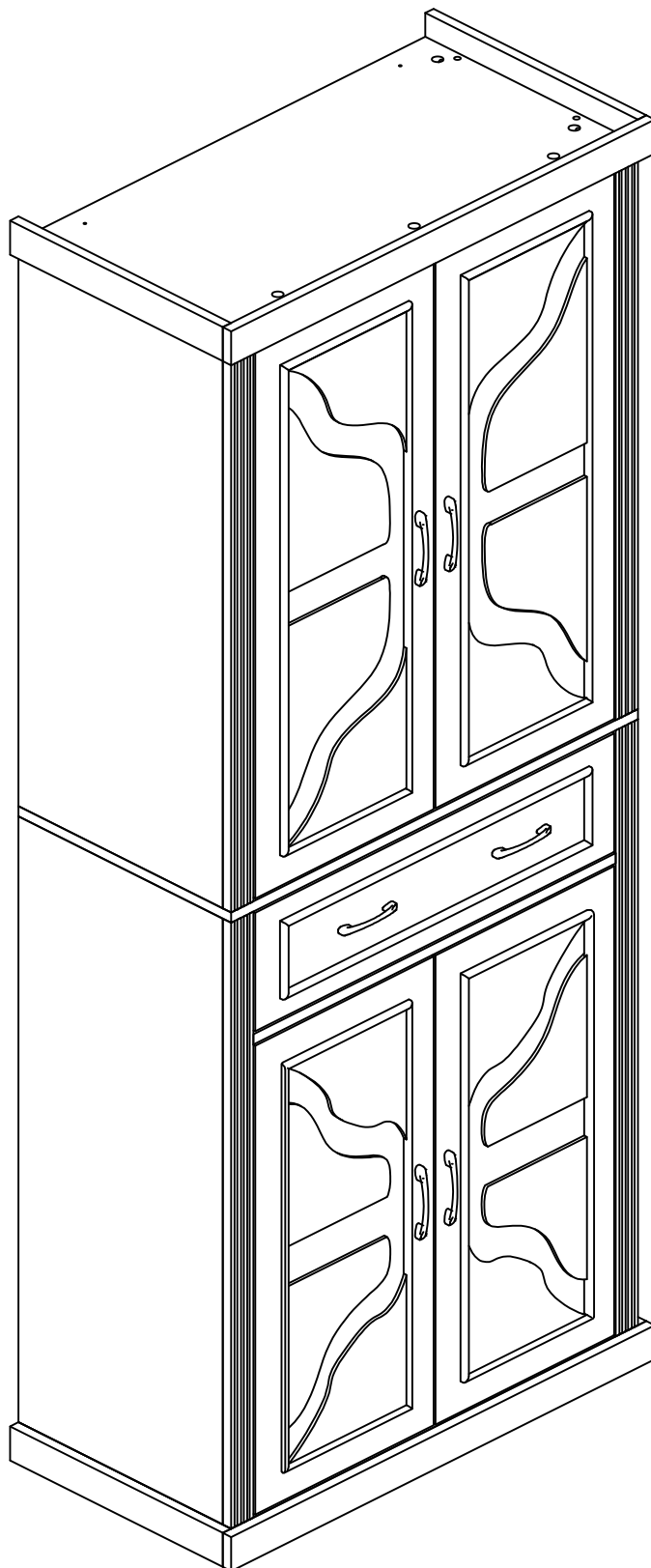
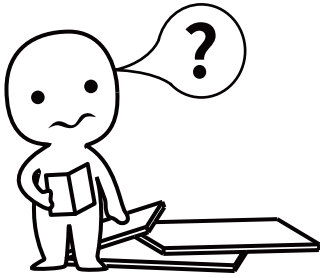


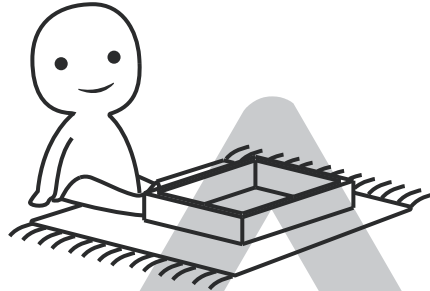
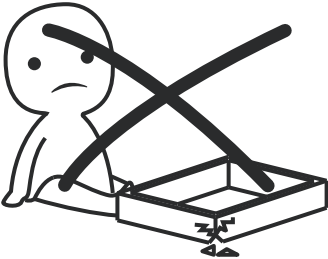
Manual





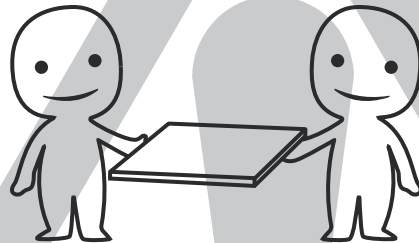
IMPORTANT INFORMATION!

please read the entire manual before starting to assemble and/or using this product. follow the manual thoroughly and keep it for further reference.



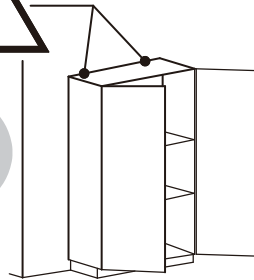
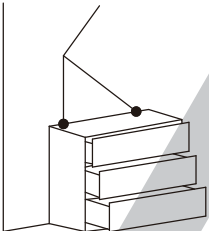
AVOID SCRATCHES!

In order to avoid scratching this furniture should be assembled on a soft layer- could be a rug.



IMPROVE EFFICIENCY !

Try to find a partner to install with you, which can speed up the installation efficiency and shorten the time.



ANTI-TOPPLE WARNING !

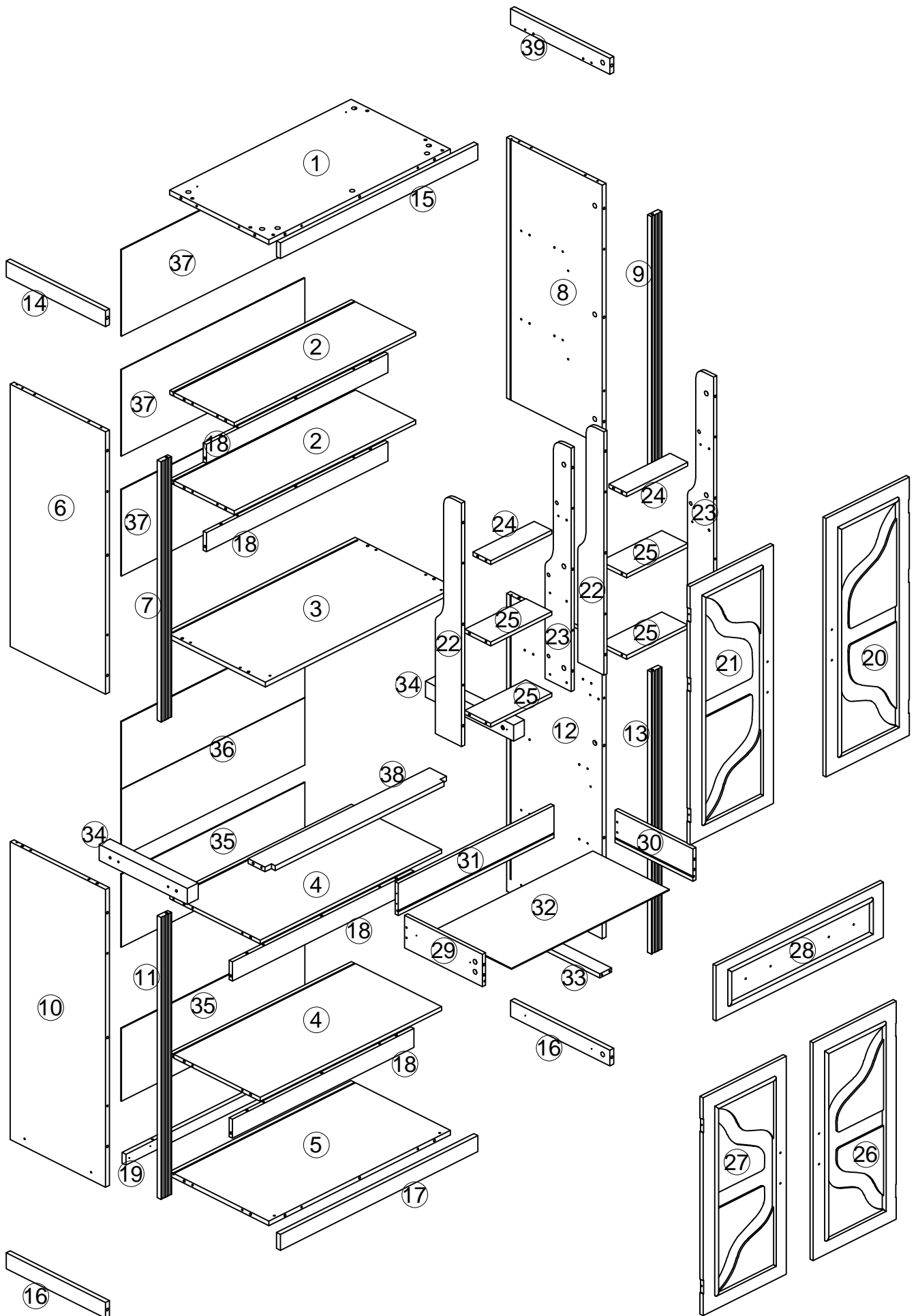
Overturnd furniture can cause serious or fatal crush injuries. To prevent tipping over, be sure to use the wall attachment, if not included with this product. Please purchase the wall attachment that fit your wall. If unsure, seek professional advice. Please read and follow each step of the instructions carefully.

IMPORTANT !

It is important that any product which is assembled using any kind of screw is re-tightened 2 weeks after assembly, and once every 3 months - in order to assure stability through-out the lifespan of the product.

For regular maintenance and cleaning of the product, for the frame, please use a rag dipped in neutral detergent to fully wipe it, and then dry it with a clean rag. For glass materials, wipe with a rag dampened with water glass cleaner, and then dry with a dry rag.

Do not use an electric screwdriver, and do not use too much force when installing, because the board is easy to break.






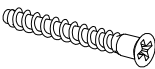
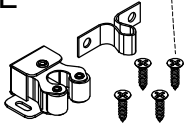
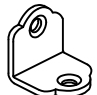

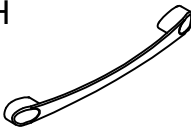

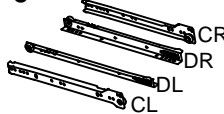
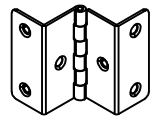

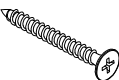
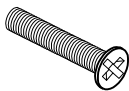
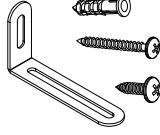
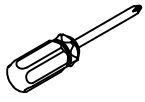


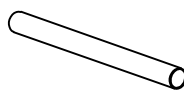
PACKAGE CONTENT

CODE	DESCRIPTION	QTY
1	Top panel	1
2	Upper Fixed plate	2
3	Central panel	1
4	Under the Fixed plate	2
5	Bottom panel	1
6	Upper left side plate	1
7	Upper left side trim panel	1
8	Upper right side plate	1
9	Right upper side trim panel	1
10	Left lower lateral plate	1
11	Lower left side trim panel	1
12	Right lower lateral plate	1
13	Lower right side trim panel	1
14	Top side trim strip	1
15	Top front trim strip	1
16	Bottom side trim strip	2
17	Bottom front trim strip	1
18	Fixed sliver	4
19	and back foot strips	1

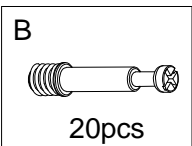
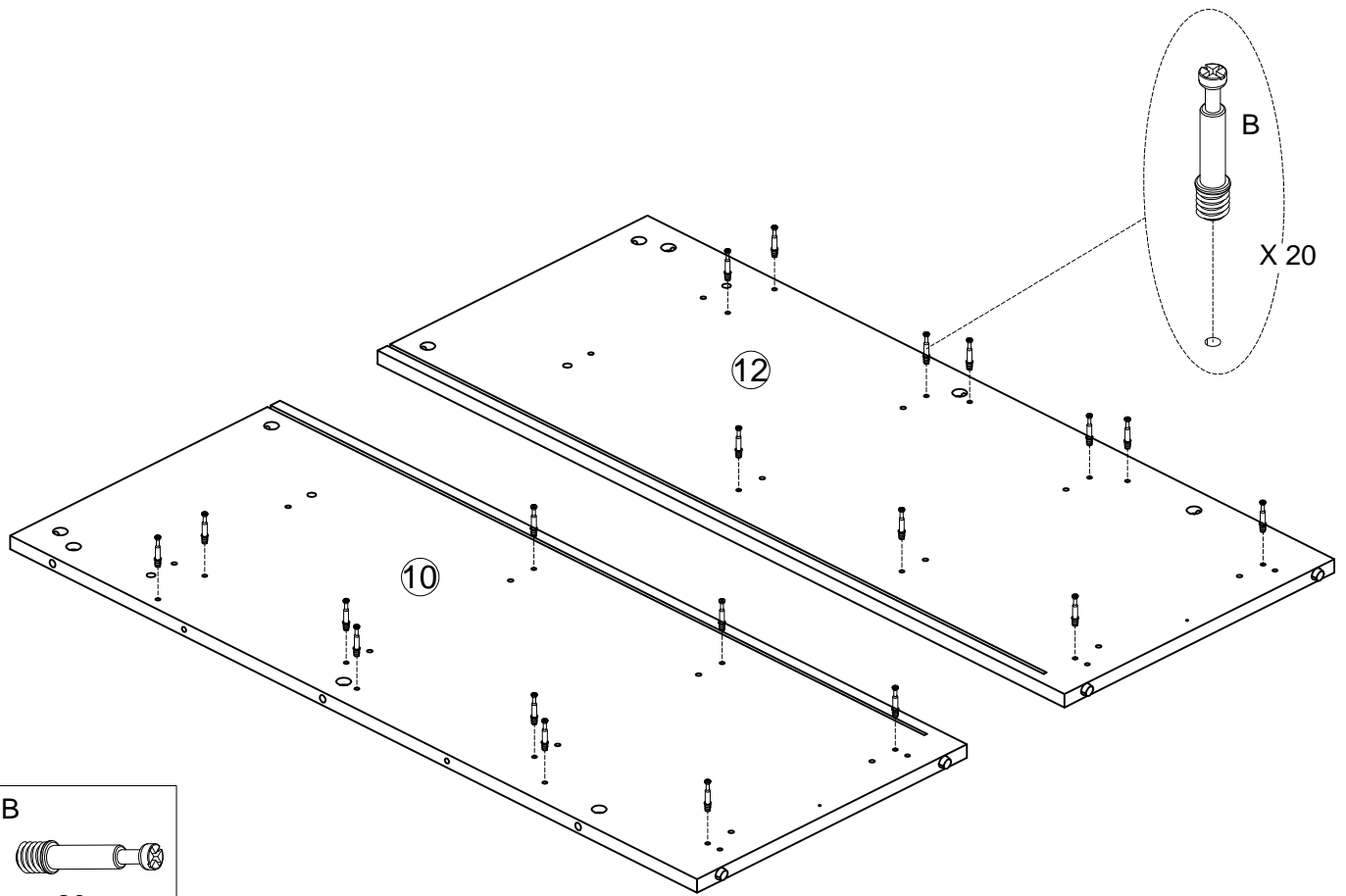
PACKAGE CONTENT

CODE	DESCRIPTION	QTY
20	Top right side door	1
21	Top left side door	1
22	Door inside left side panel	2
23	Right side panel inside door	2
24	Door inner panel	2
25	Door inner panel	4
26	Upper left door panel	1
27	Lower left door panel	1
28	Drawer panel	1
29	Drawer left side panel	1
30	Drawer right side panel	1
31	Drawer back plate	1
32	Drawer bottom	1
33	Drawer stiffener	1
34	Rail cushion wood	2
35	Lower back plate	2
36	Postmedian plate	1
37	Upper back plate	3
38	Front sliver	1
39	Top side trim strip	1

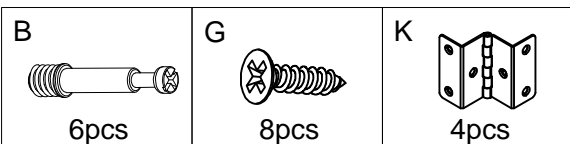
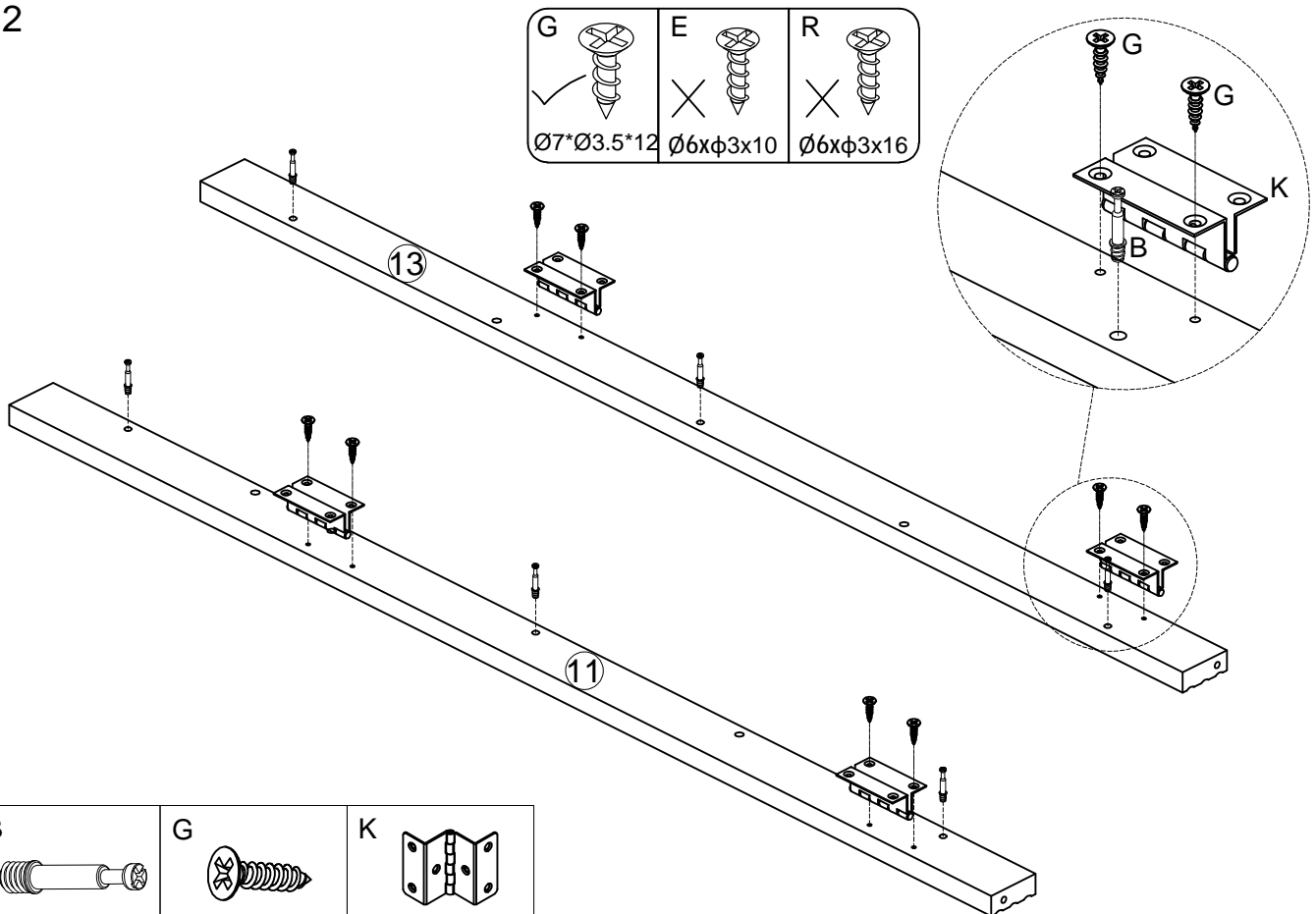
PACKAGE CONTENT

<p>A $\varnothing 6 \times 30$</p>  <p>87+5pcs</p>	<p>B $\varnothing 6 \times 40$</p>  <p>103+4pcs</p>	<p>C $\varnothing 15 \times 10$</p>  <p>103+4pcs</p>	<p>D $\varnothing 7 \times 38$</p>  <p>12+1pcs</p>	<p>E $\varnothing 6 \times \varnothing 3 \times 10 \text{mm}$</p>  <p>4 sets</p>
<p>F 18*18*18mm</p>  <p>5pcs</p>	<p>G $\varnothing 7 \times \varnothing 3.5 \times 12 \text{mm}$</p>  <p>70+4pcs</p>	<p>H</p>  <p>6pcs</p>	<p>I M4*15mm</p>  <p>12+1pcs</p>	<p>J L=300mm</p>  <p>1 sets</p>
<p>K 41x15mm</p>  <p>10pcs</p>	<p>L</p>  <p>48+2pcs</p>	<p>M $\varnothing 8 \times \varnothing 4 \times 35 \text{mm}$</p>  <p>5pcs</p>	<p>N M6*40mm</p>  <p>4pcs</p>	<p>O</p>  <p>2 sets</p>
<p>P</p>  <p>1pc</p>	<p>Q $\varnothing 8 \times \varnothing 4 \times 25 \text{mm}$</p>  <p>4pcs</p>	<p>R $\varnothing 6 \times 3 \times 16 \text{mm}$ 15*14*10mm</p>  <p>30+3pcs</p>	<p>S</p>  <p>6pcs</p>	

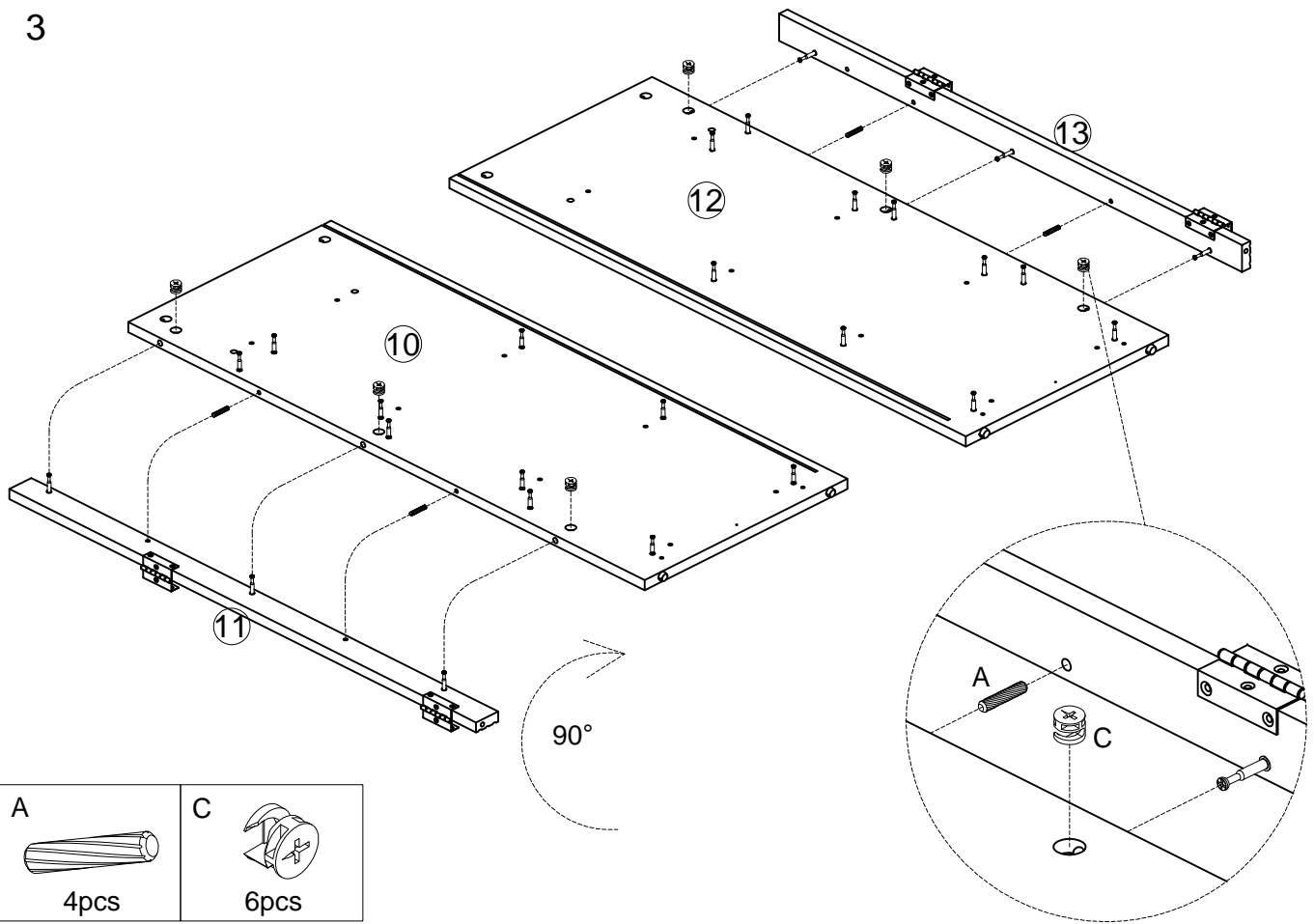
1



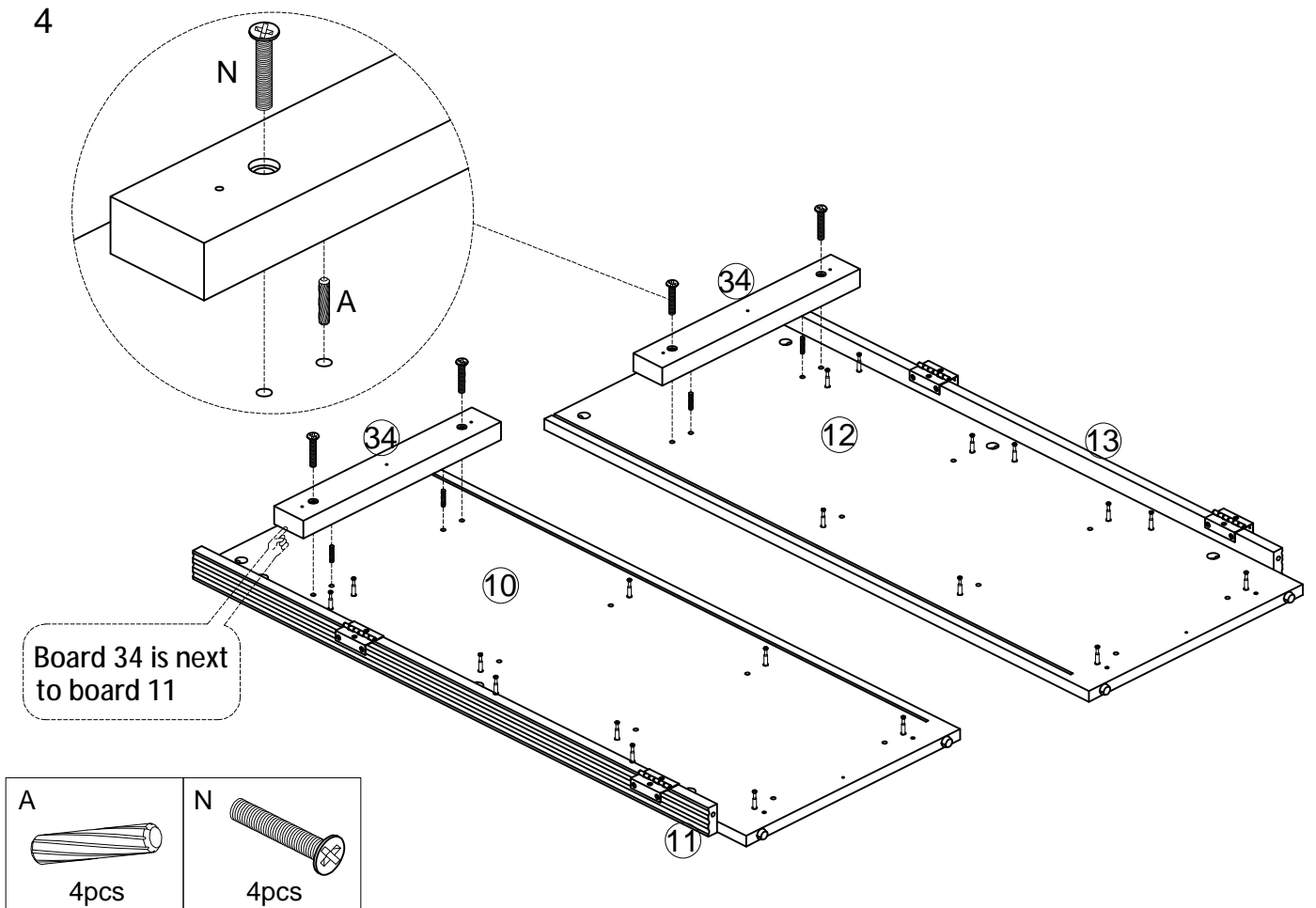
2



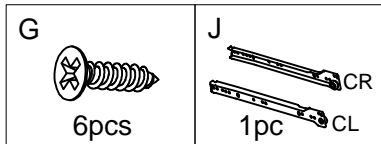
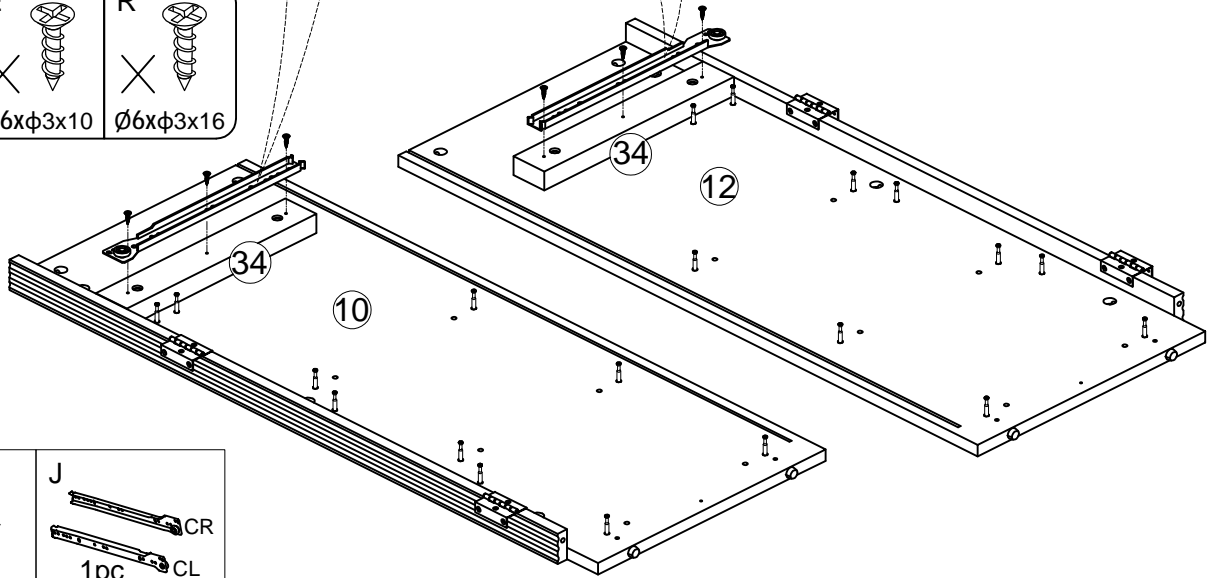
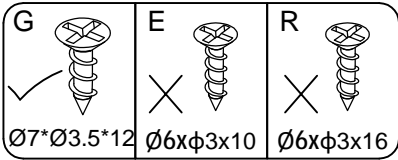
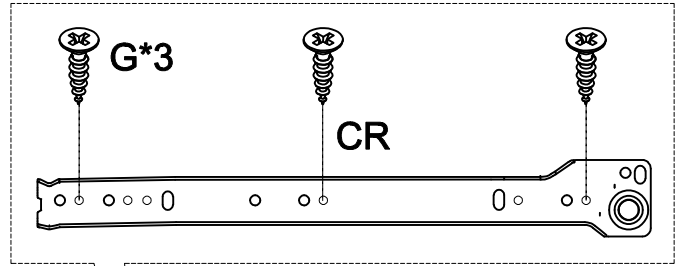
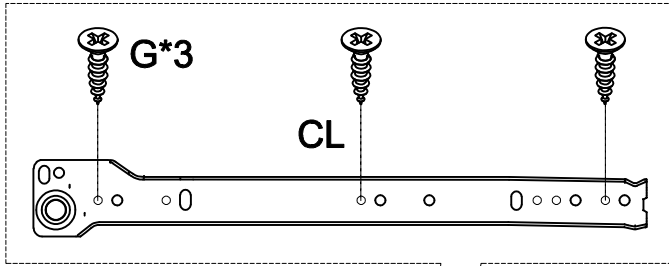
3



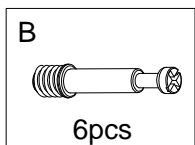
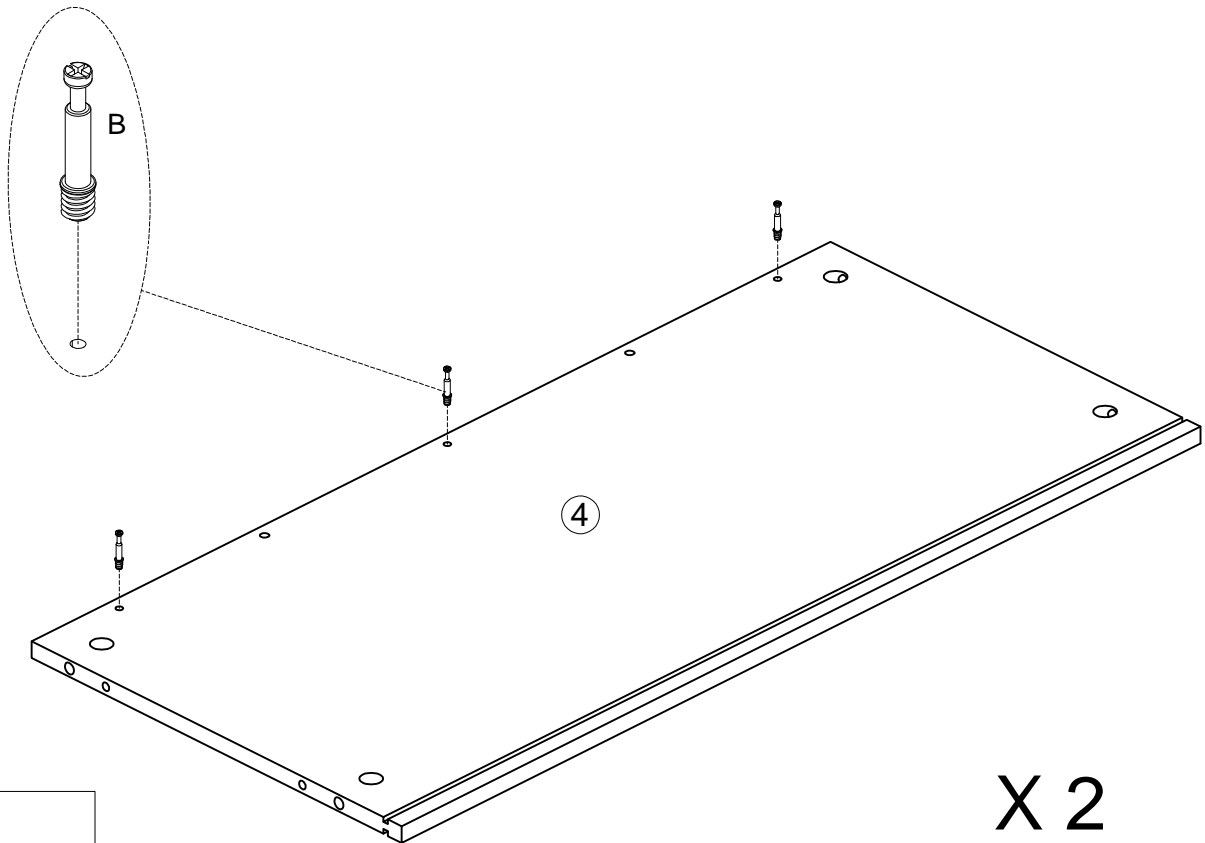
4



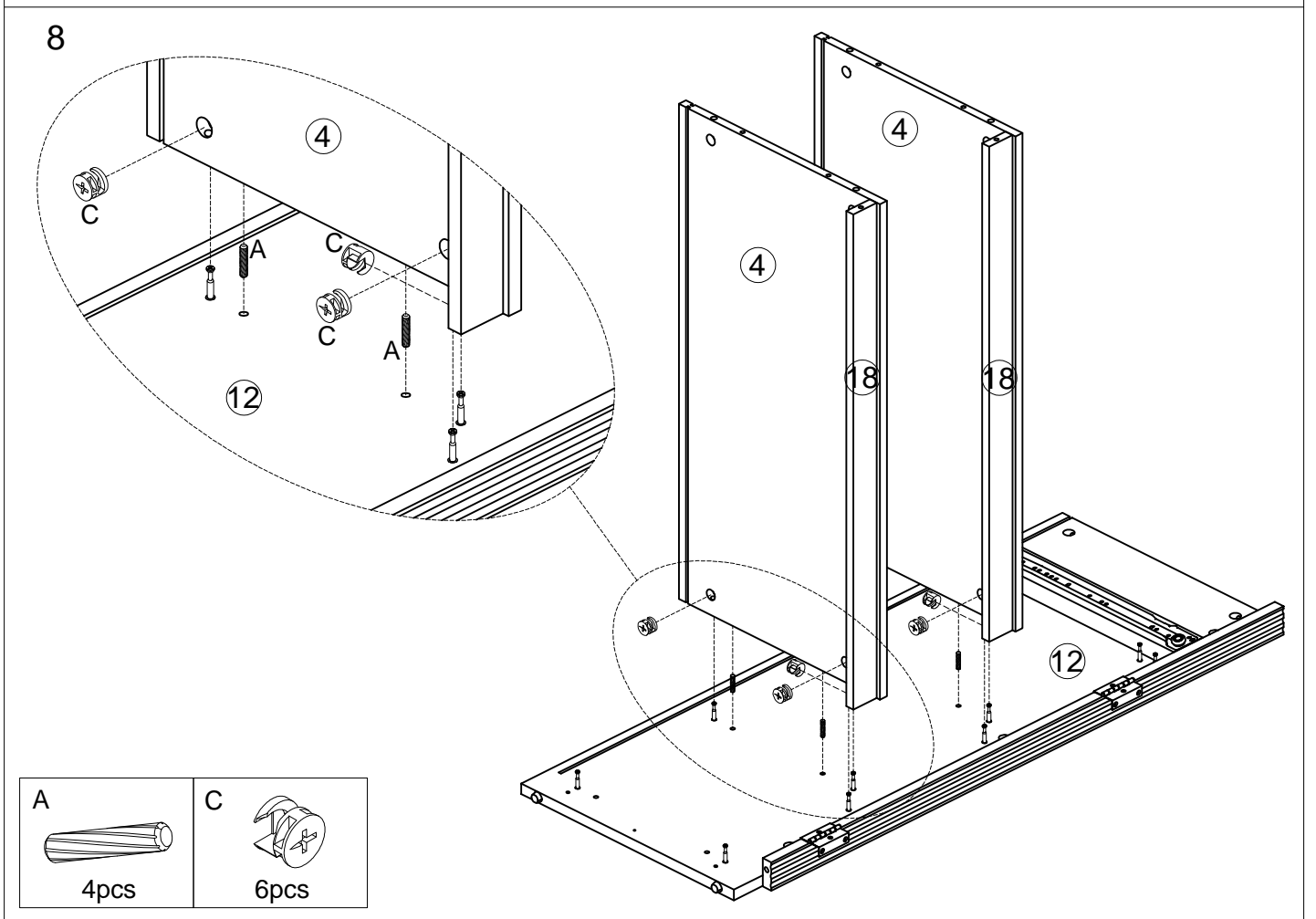
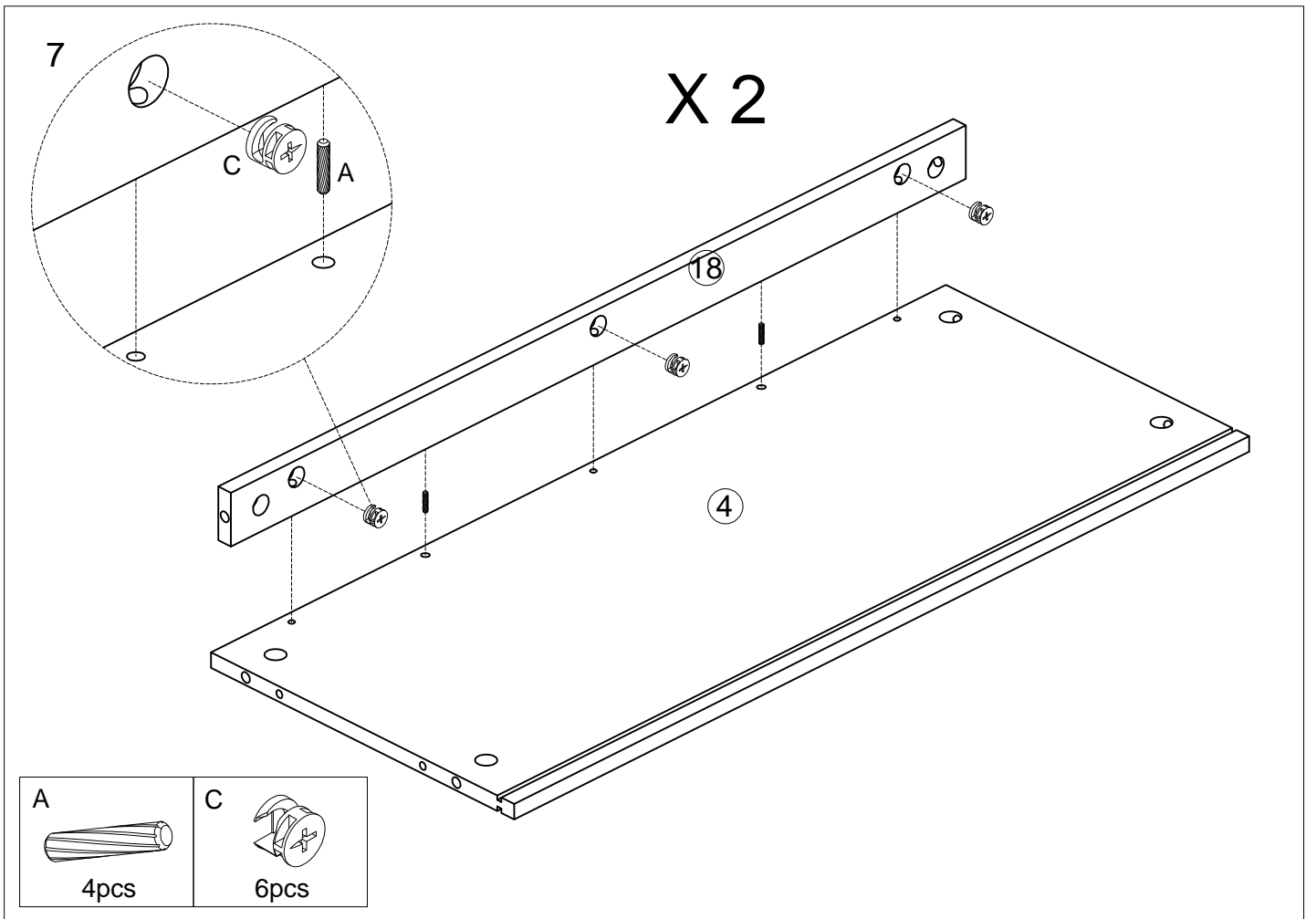
5



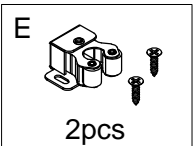
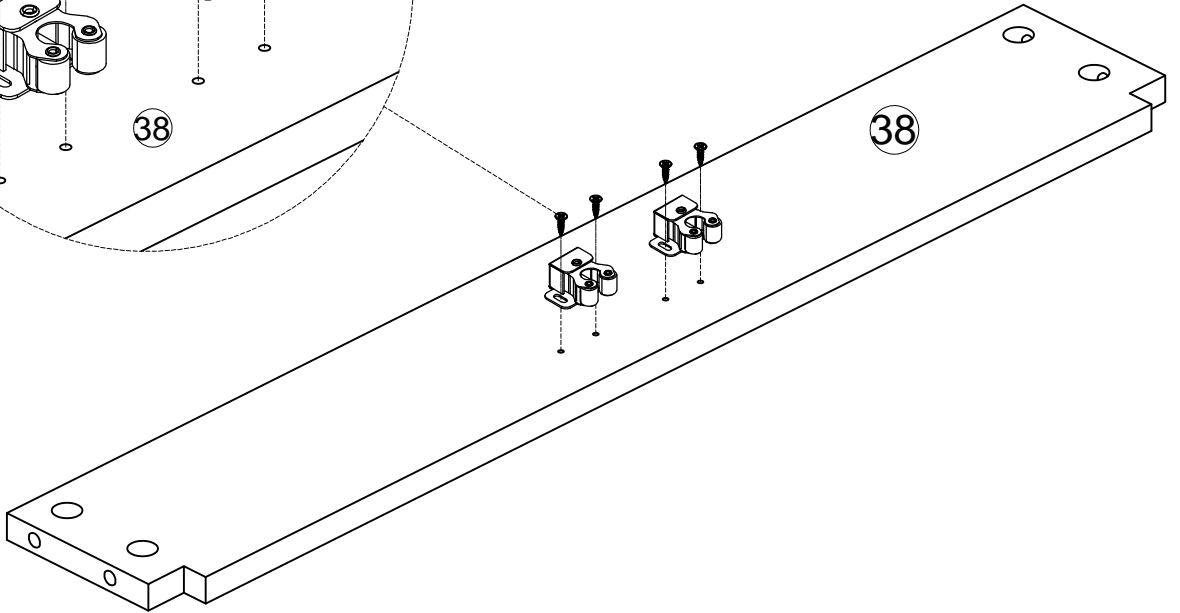
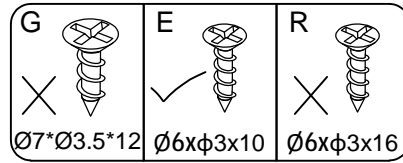
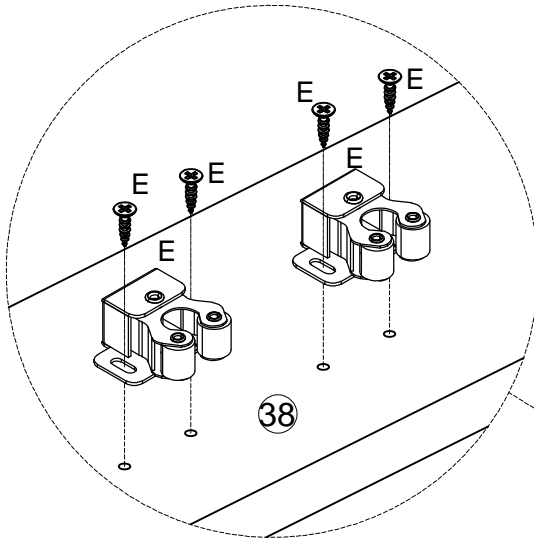
6



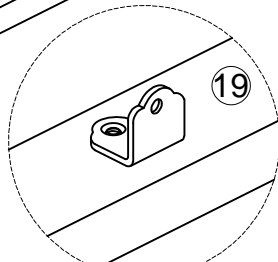
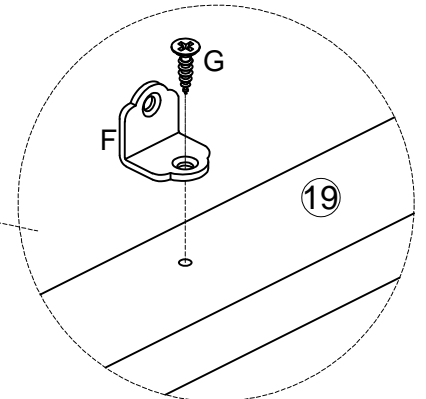
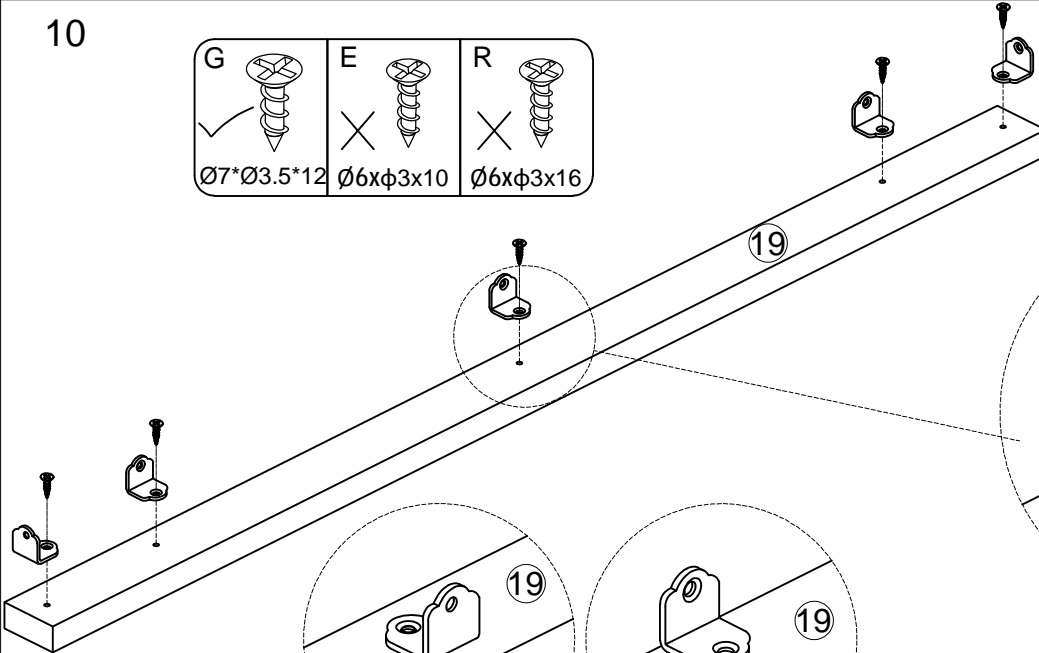
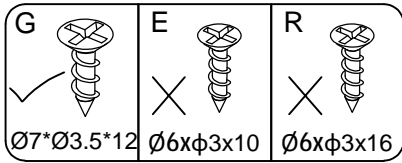
X 2



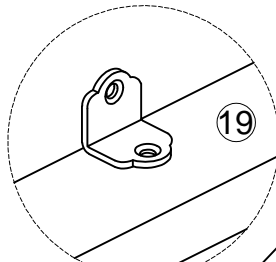
9



10

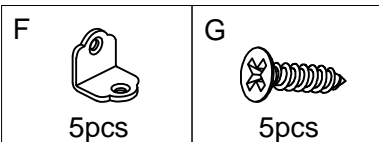


wrong ✗

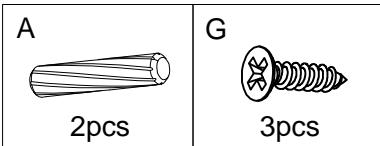
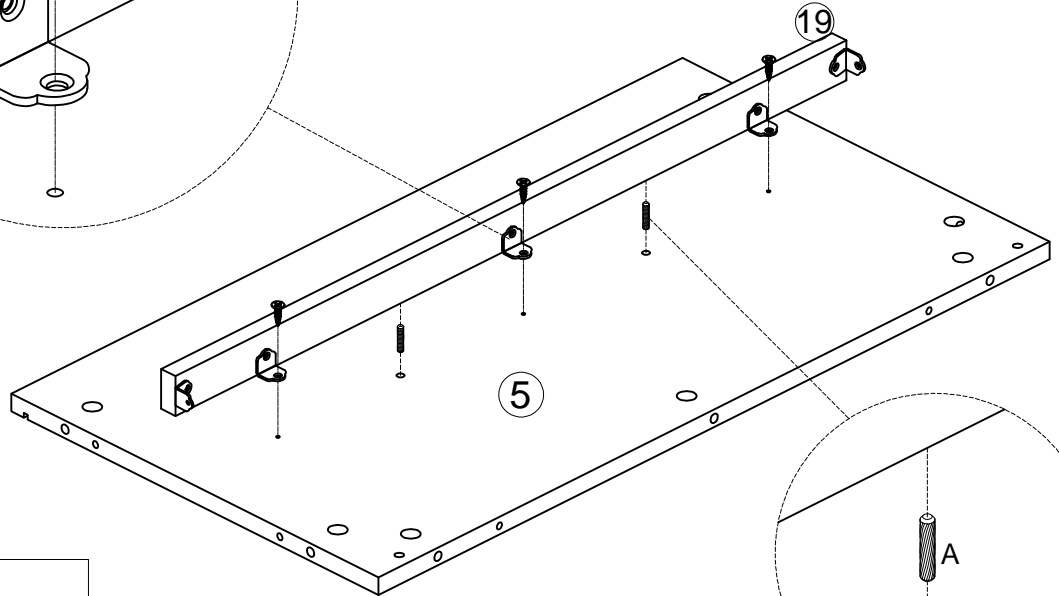
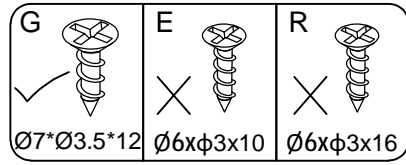
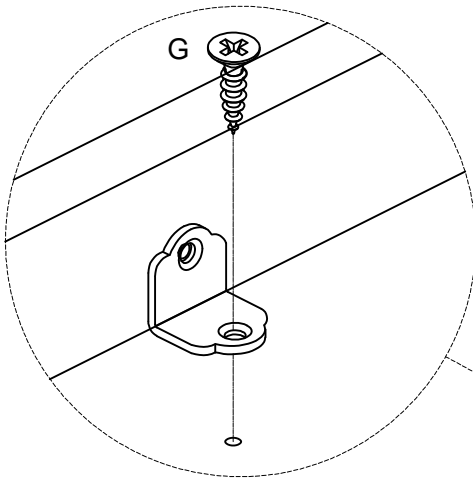


correct ✓

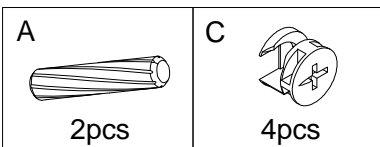
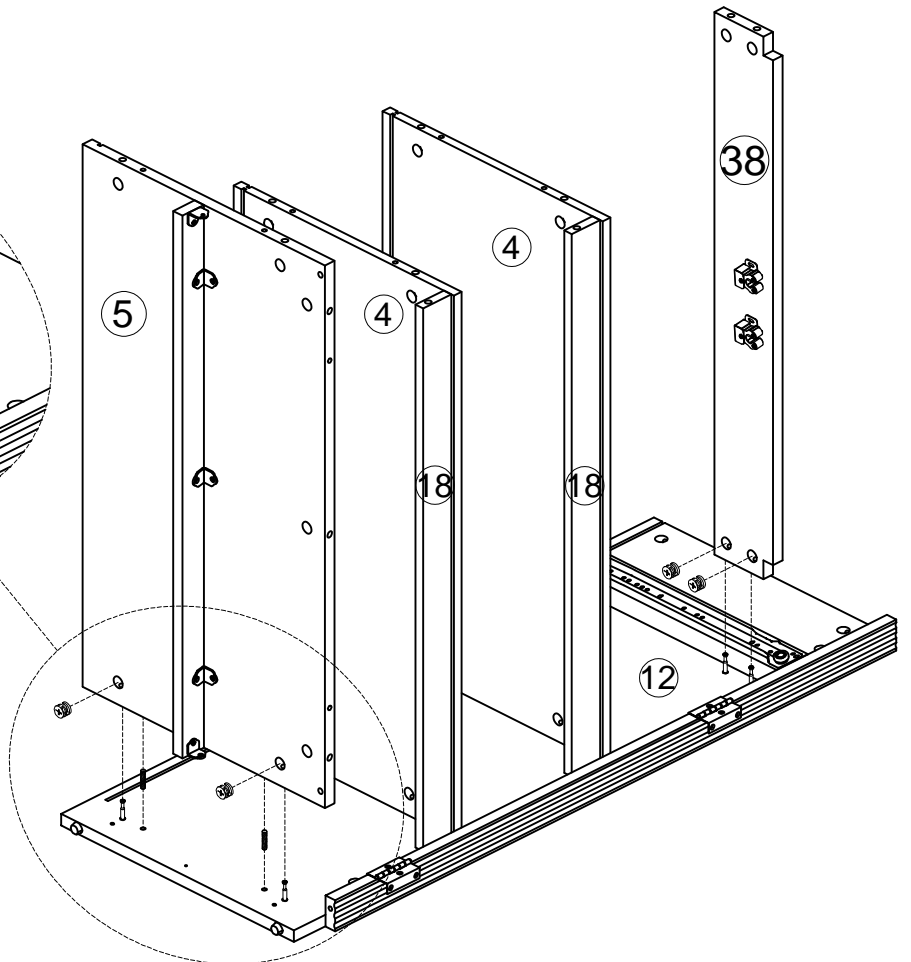
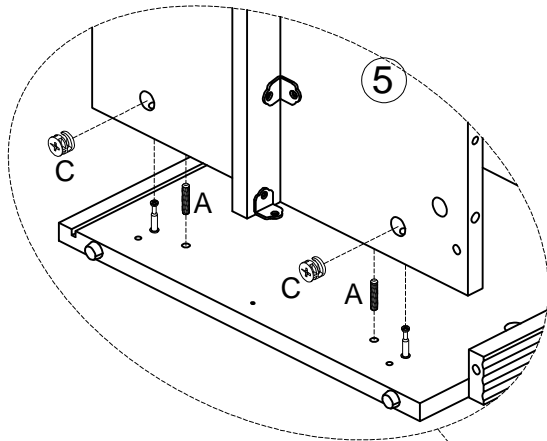
The screws in this installation step are first locked in about 80%, and then locked in the next step 14.



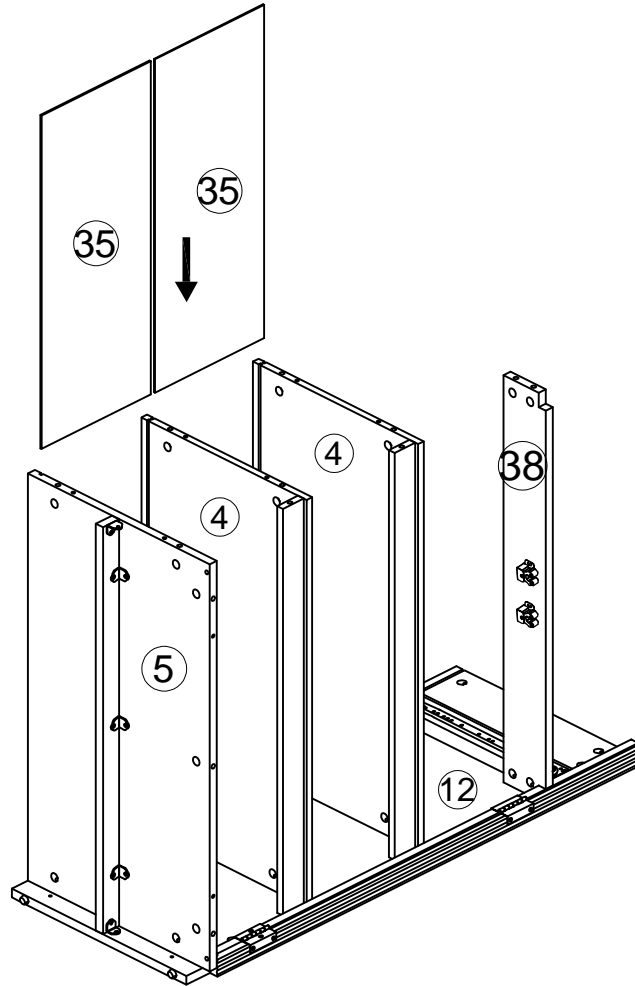
11



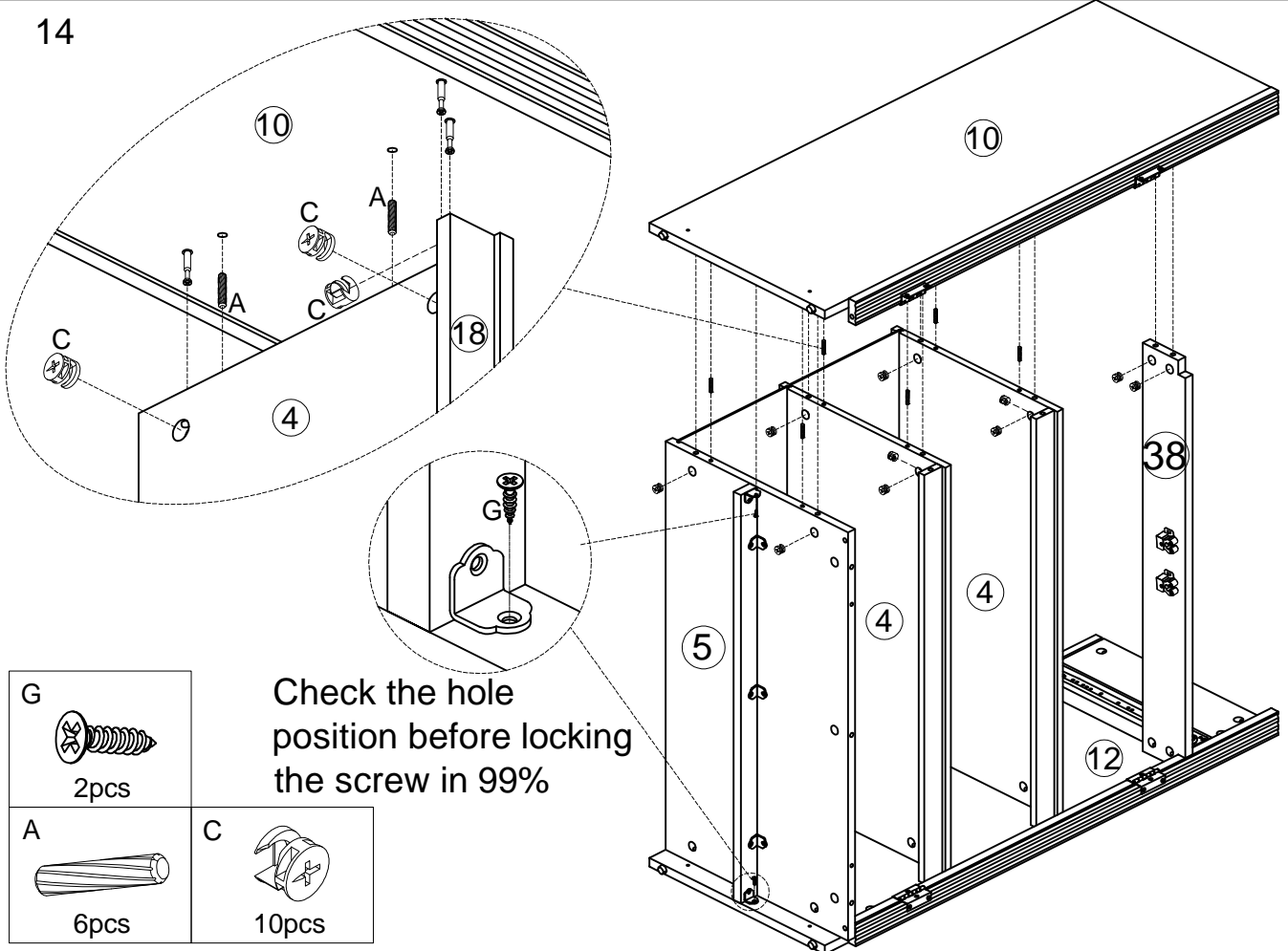
12



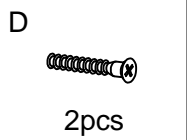
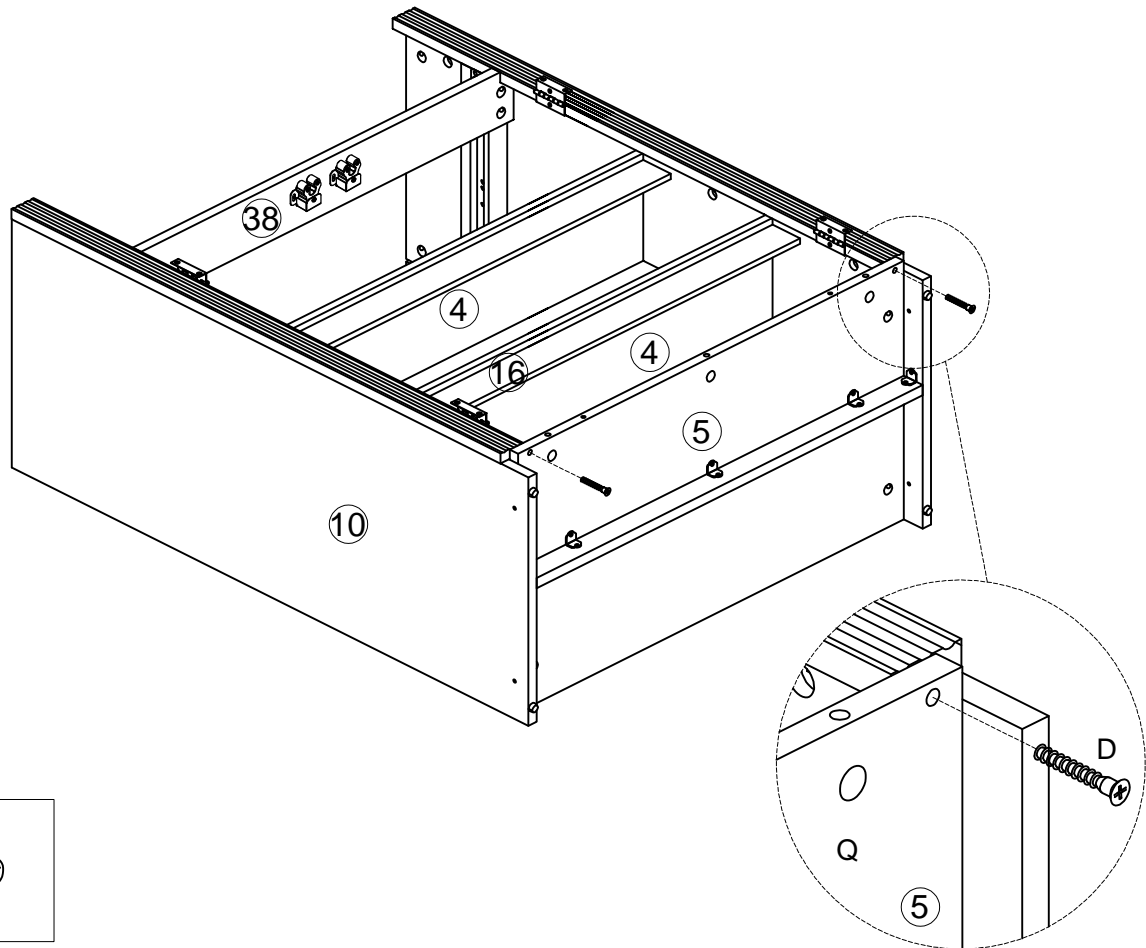
13



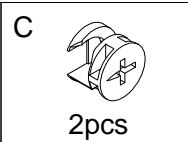
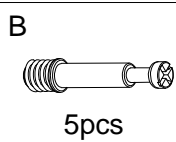
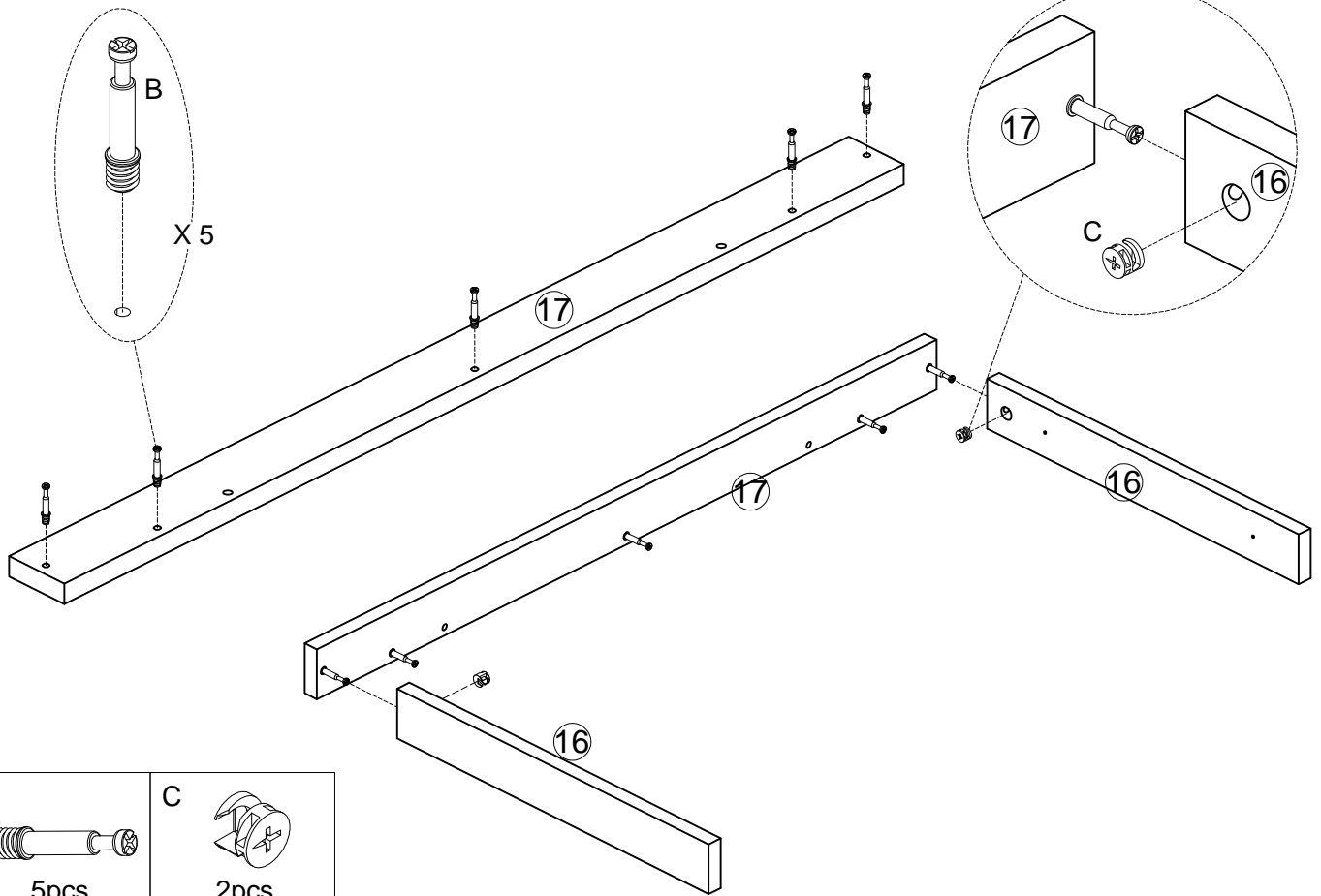
14

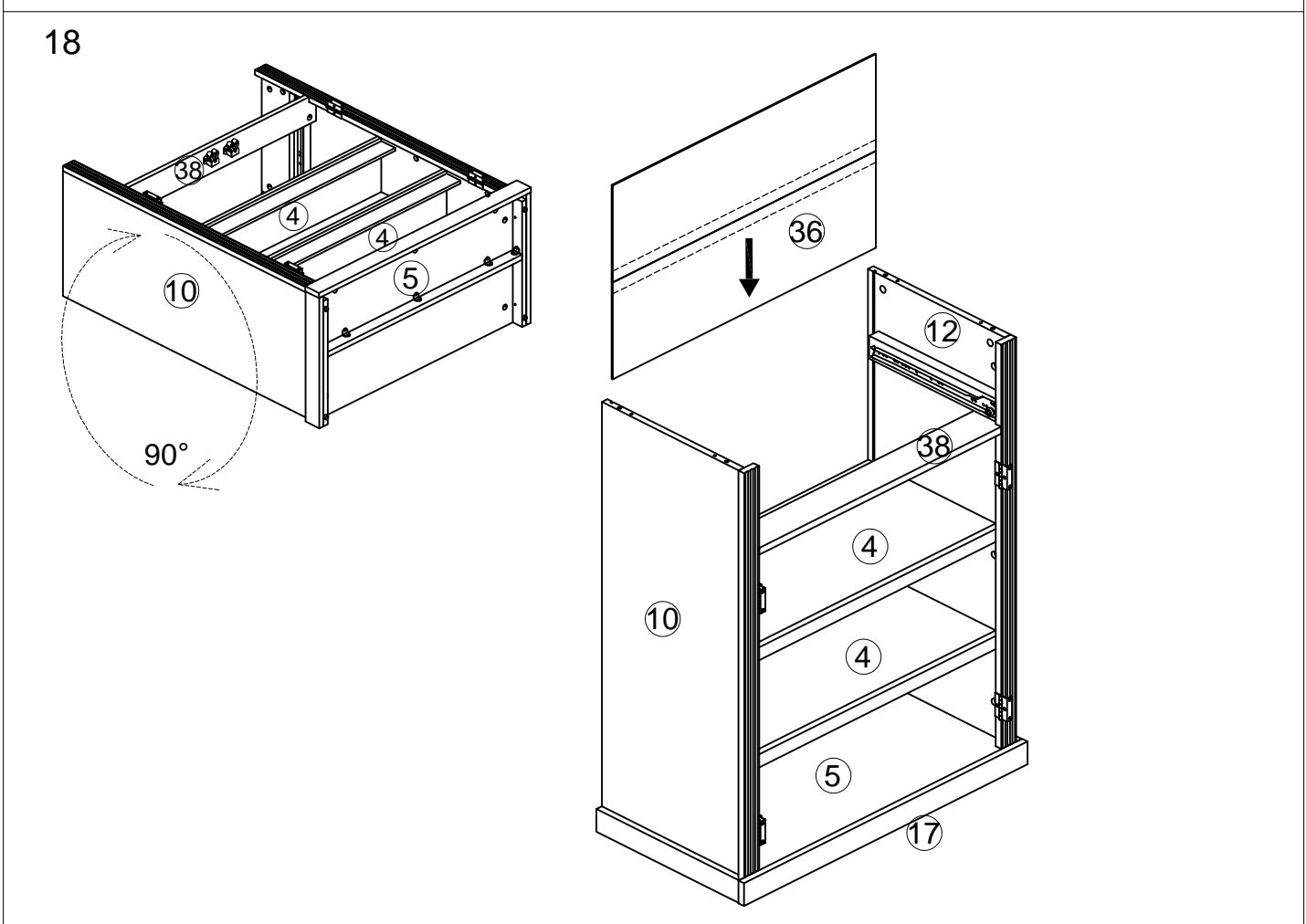
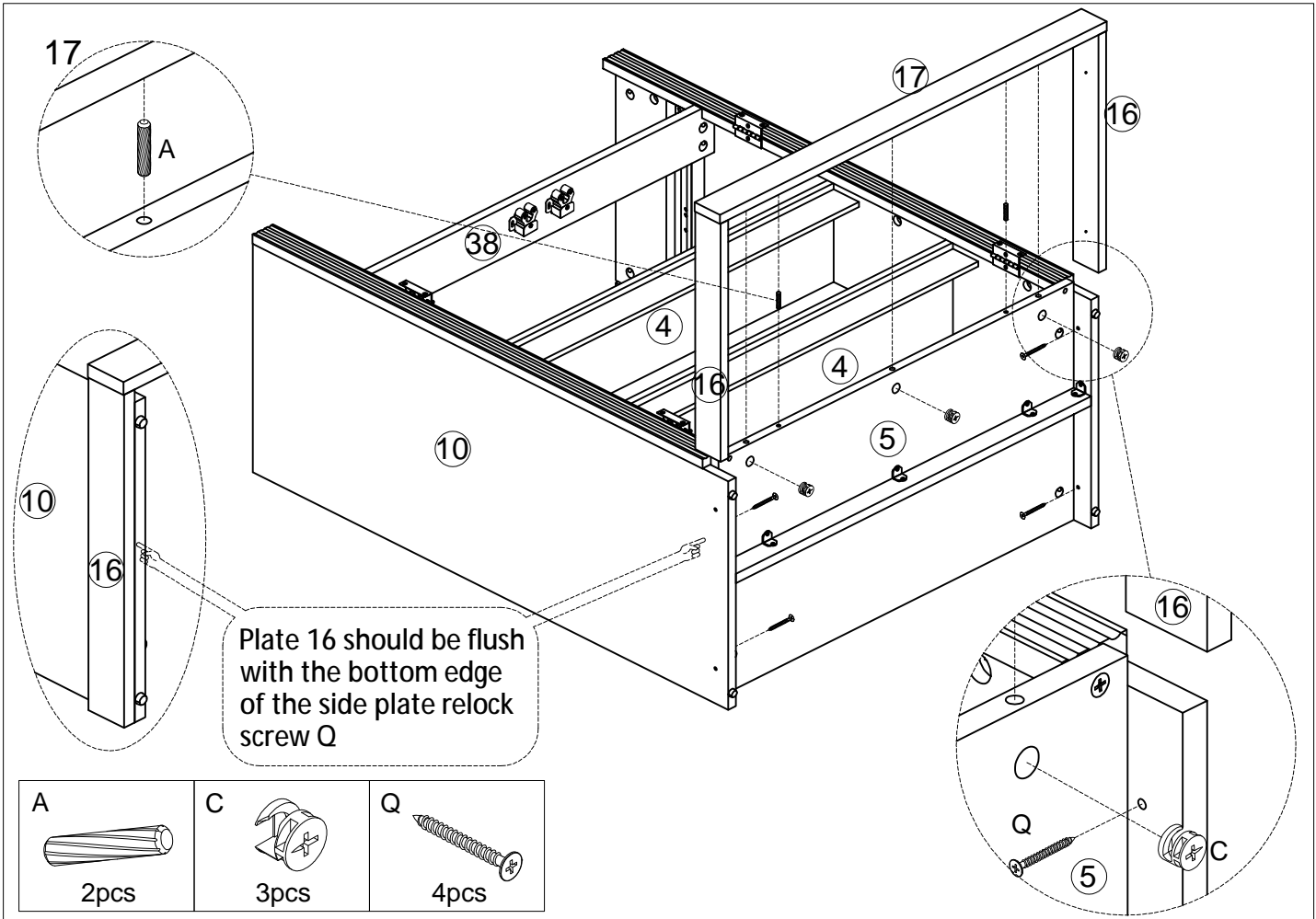


15

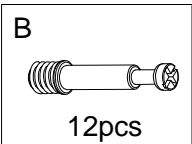
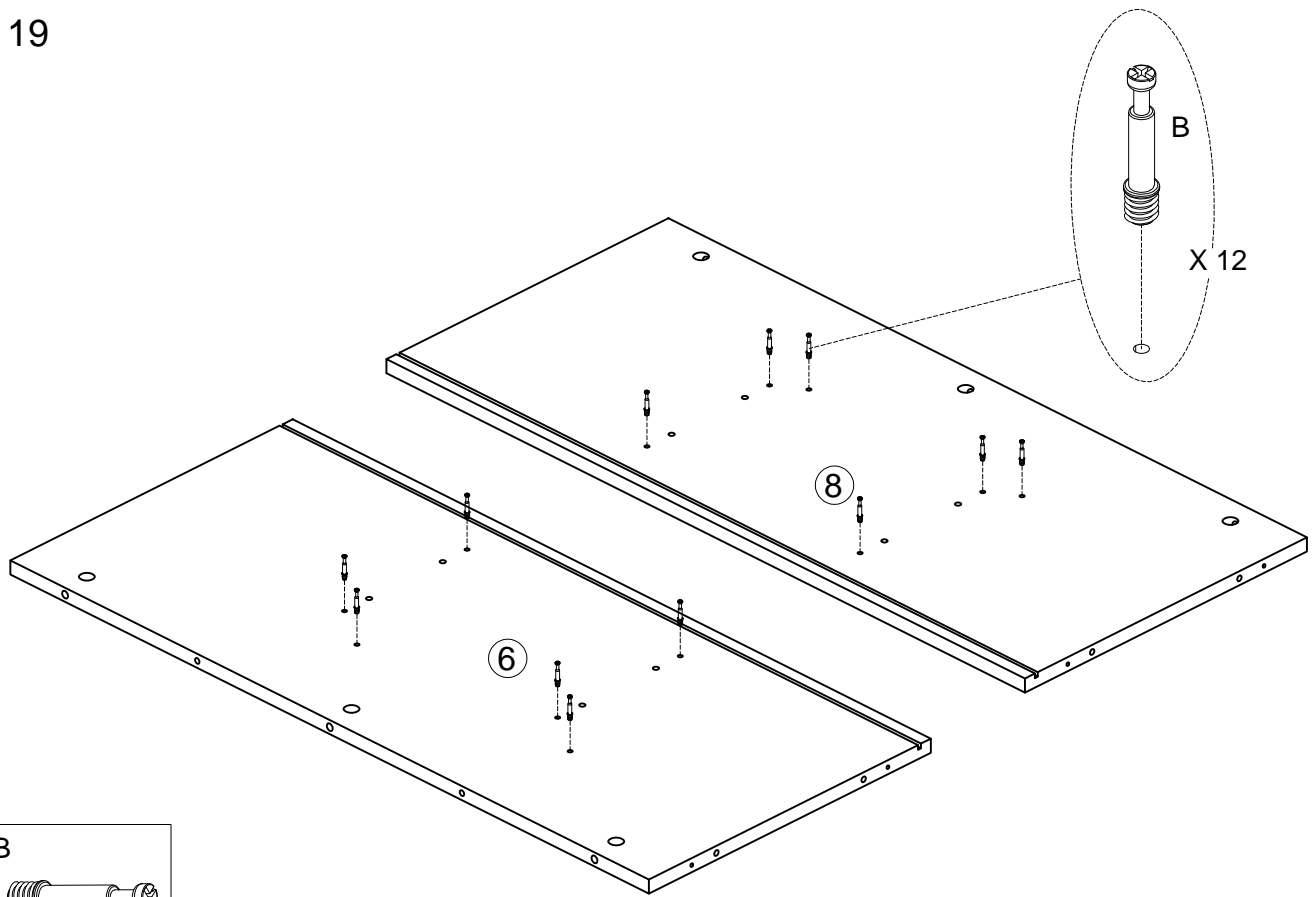


16

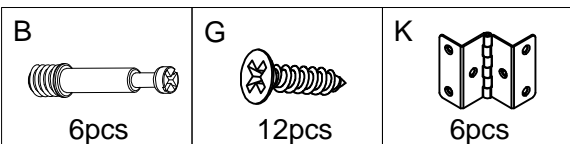
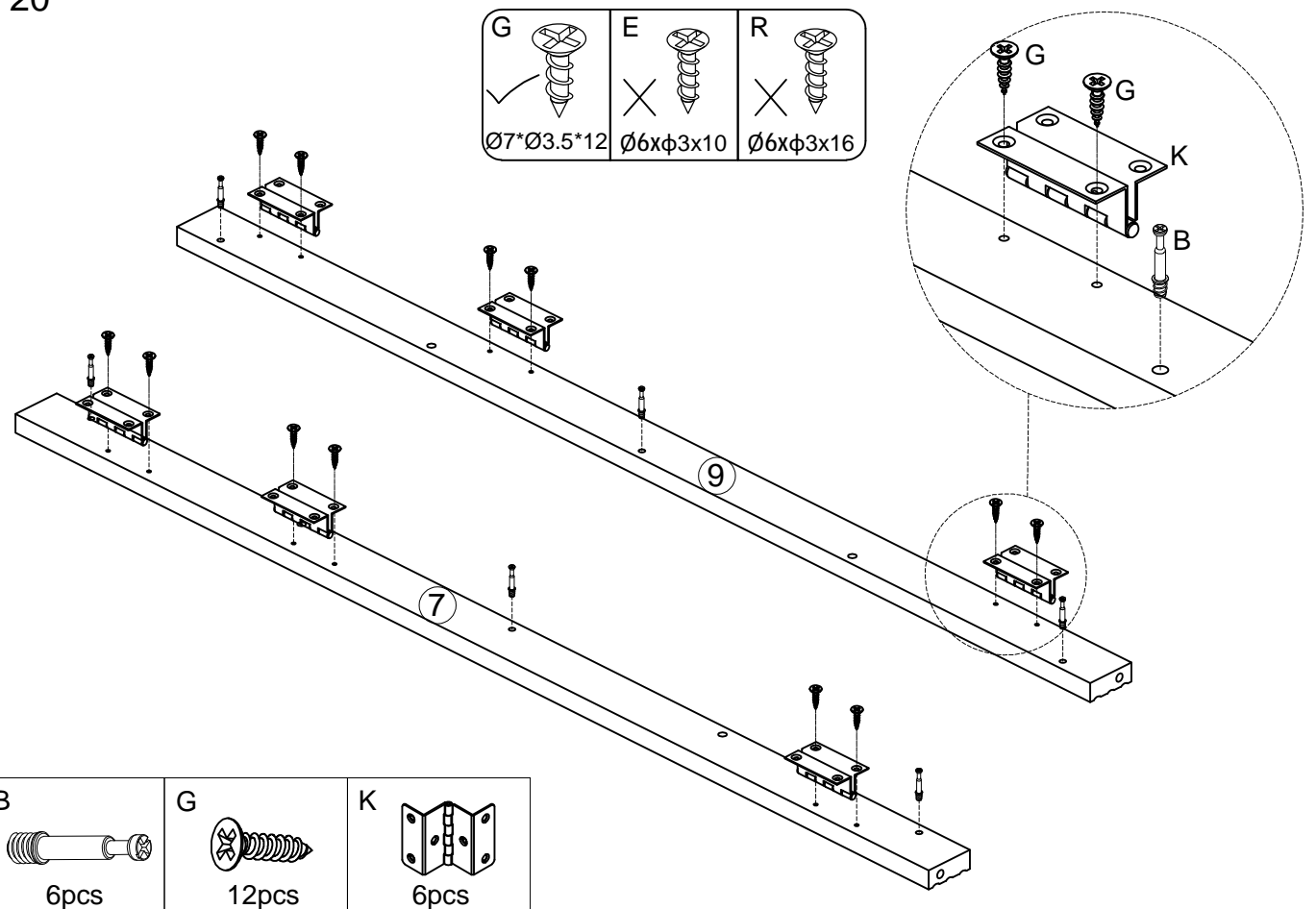




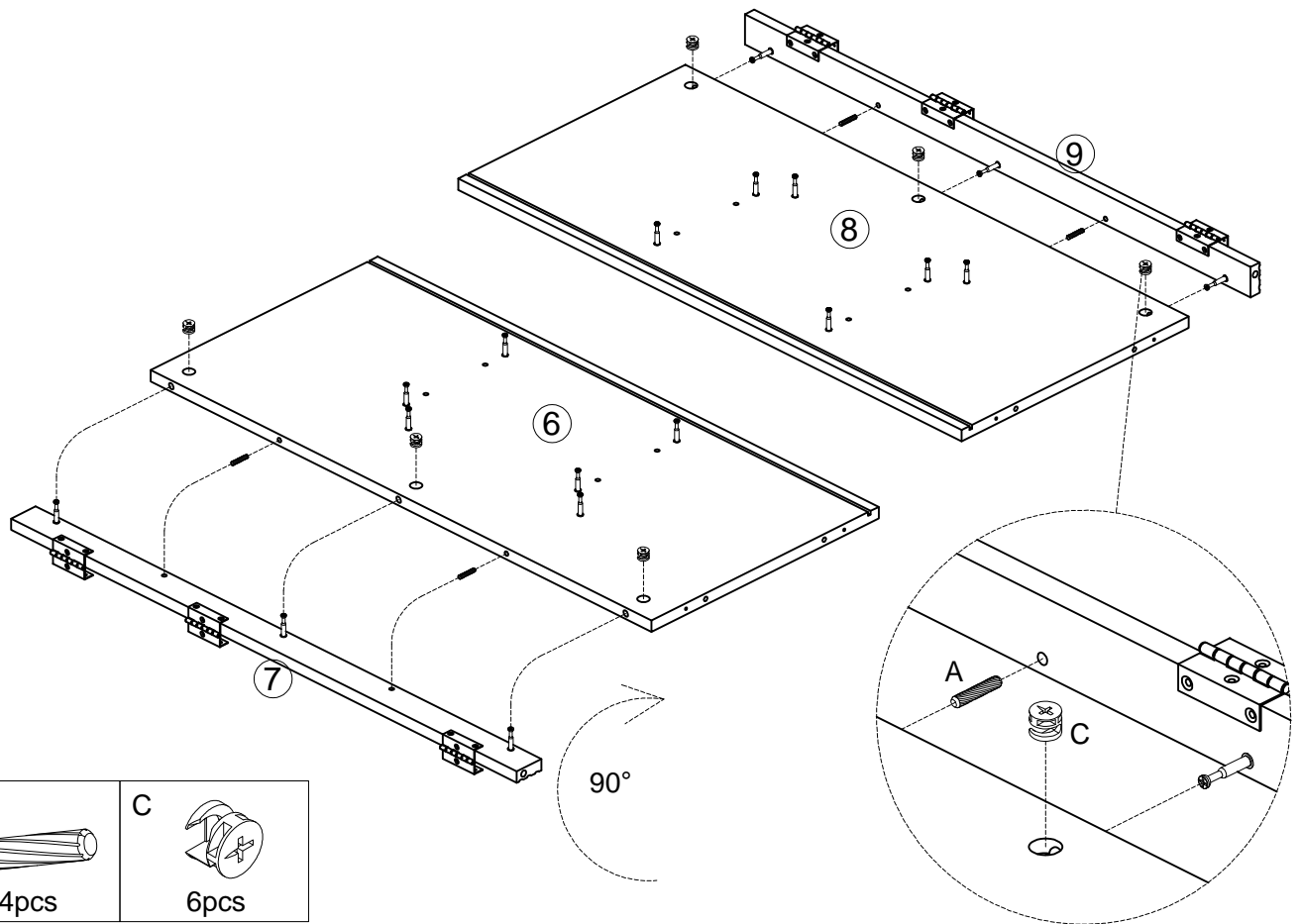
19



20

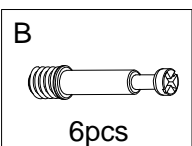
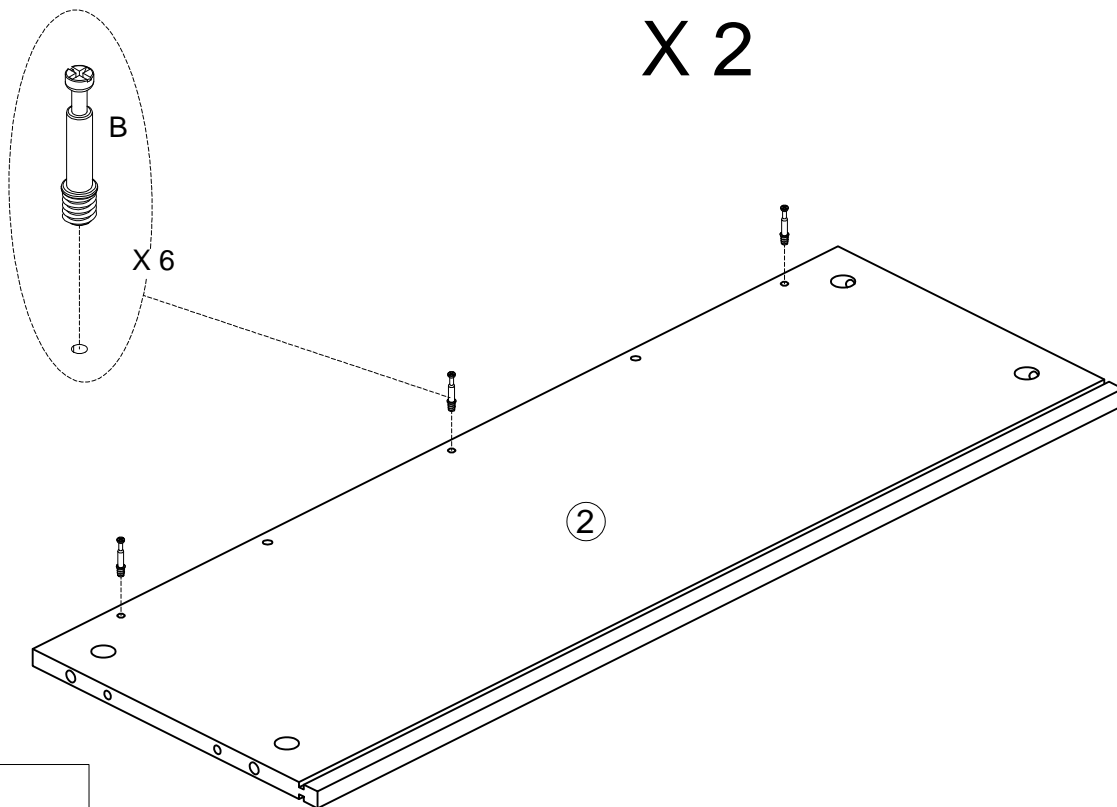


21



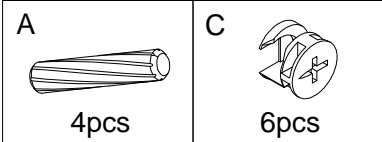
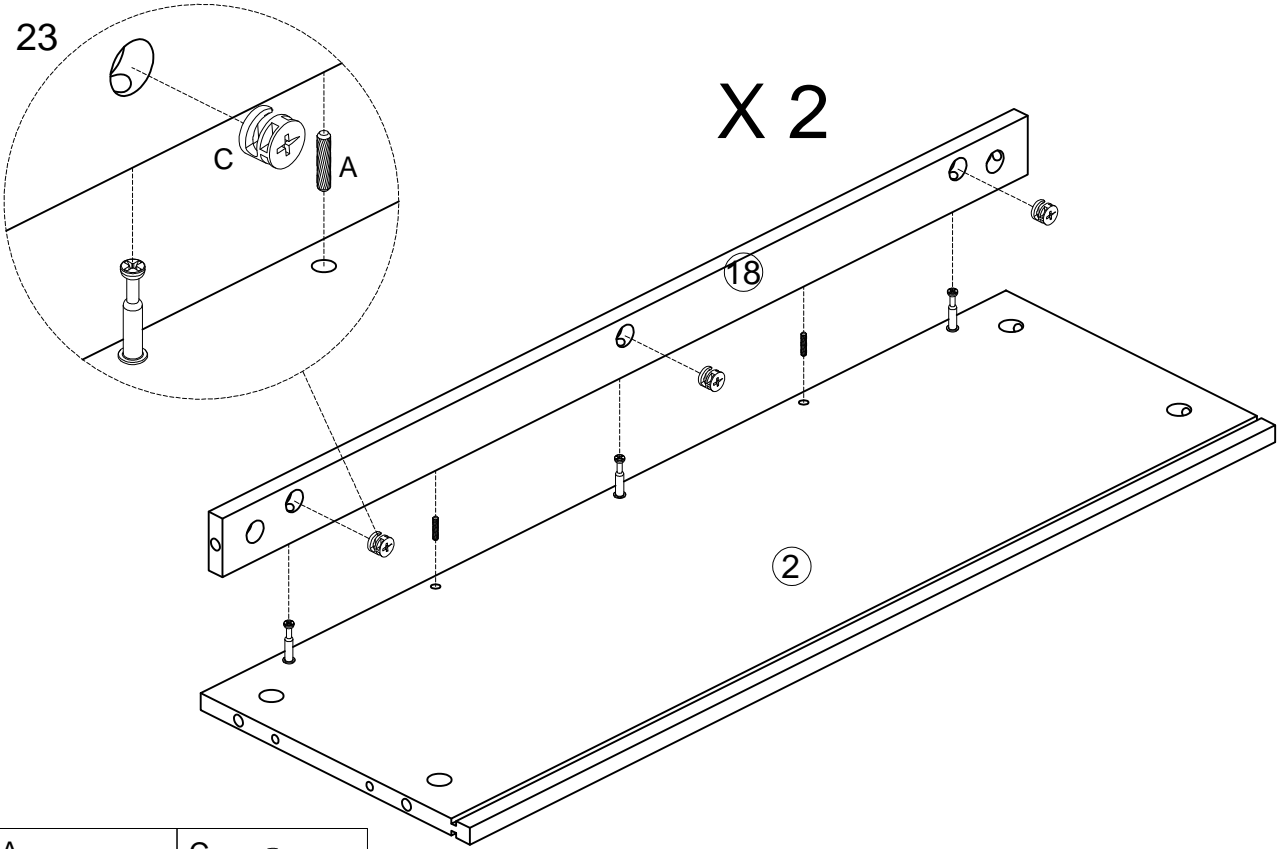
22

X 2

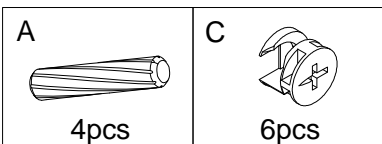
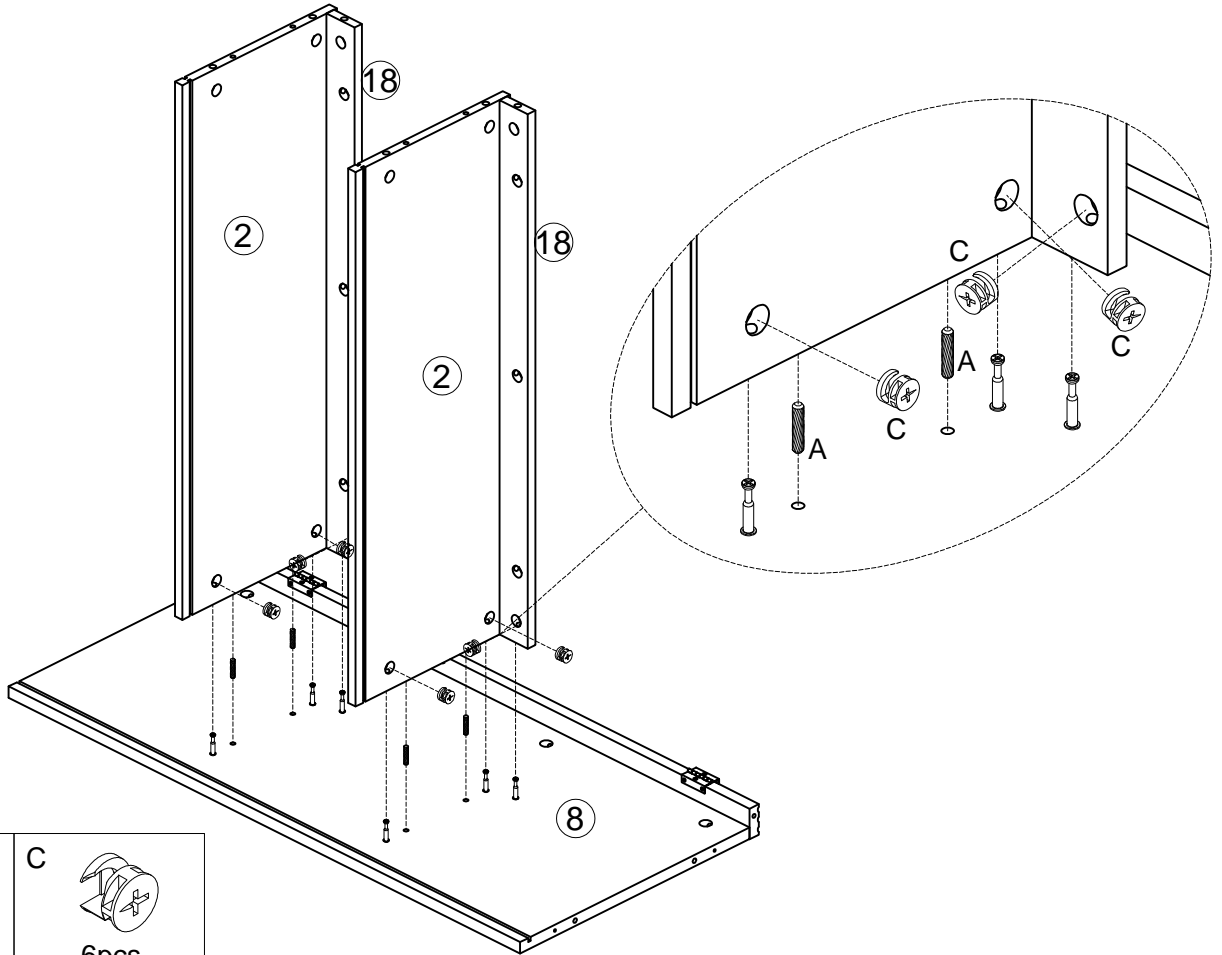


23

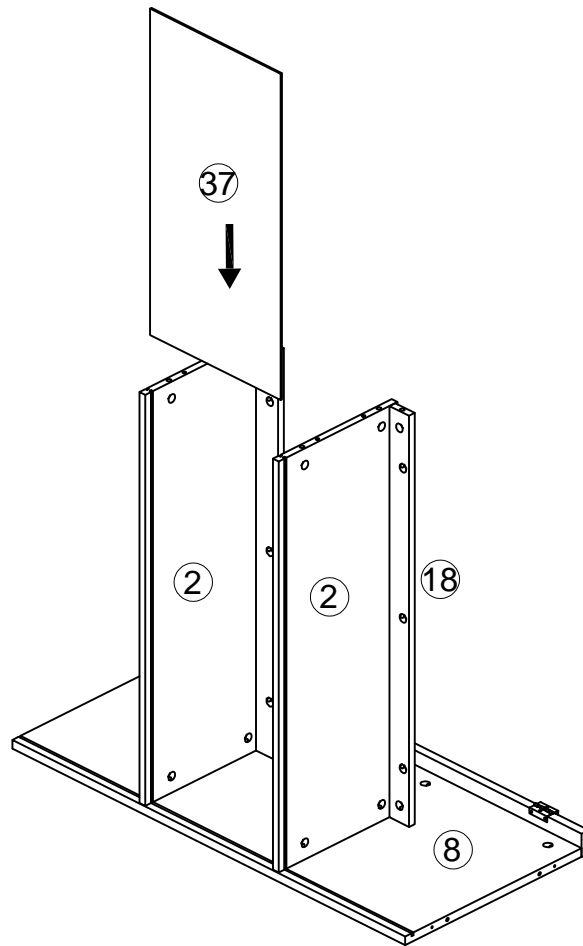
X 2



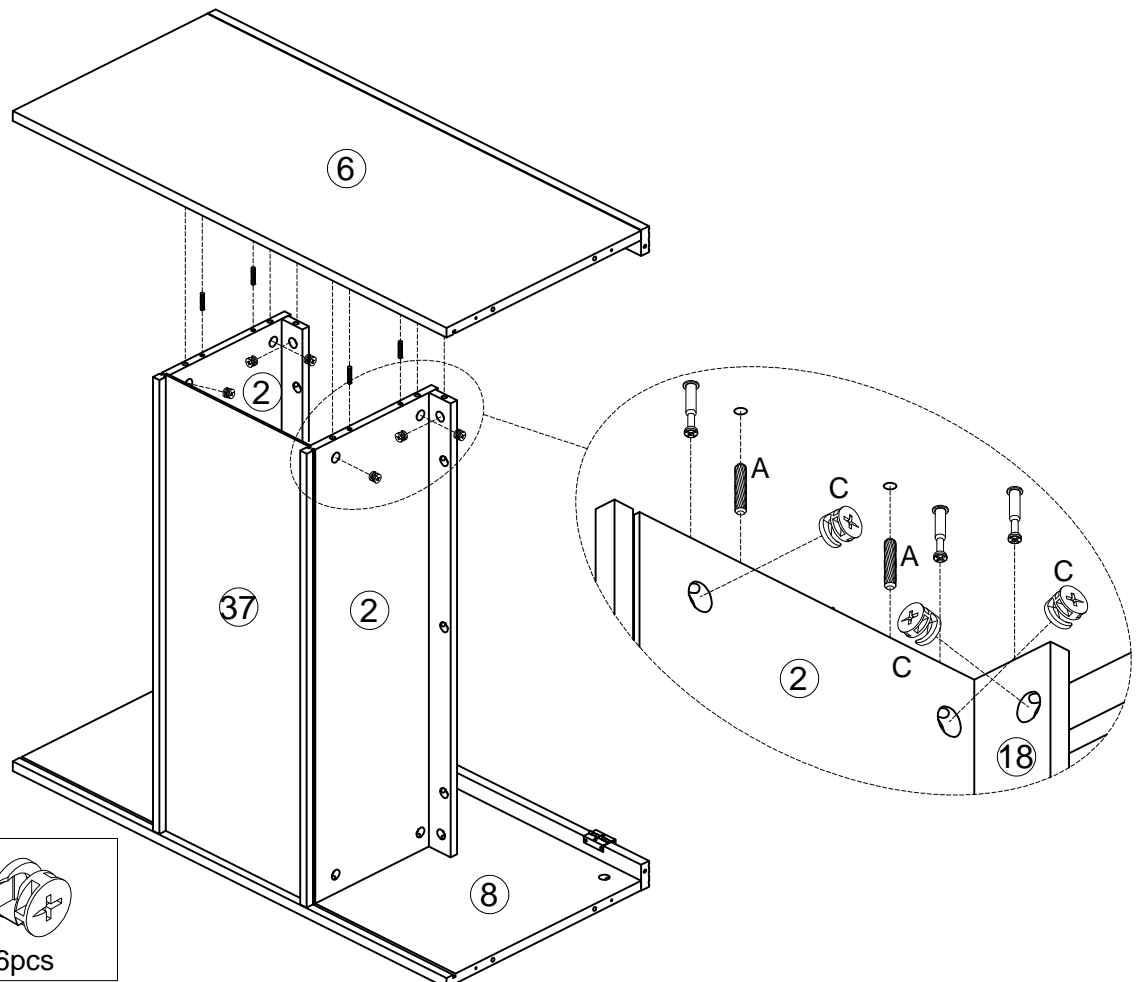
24



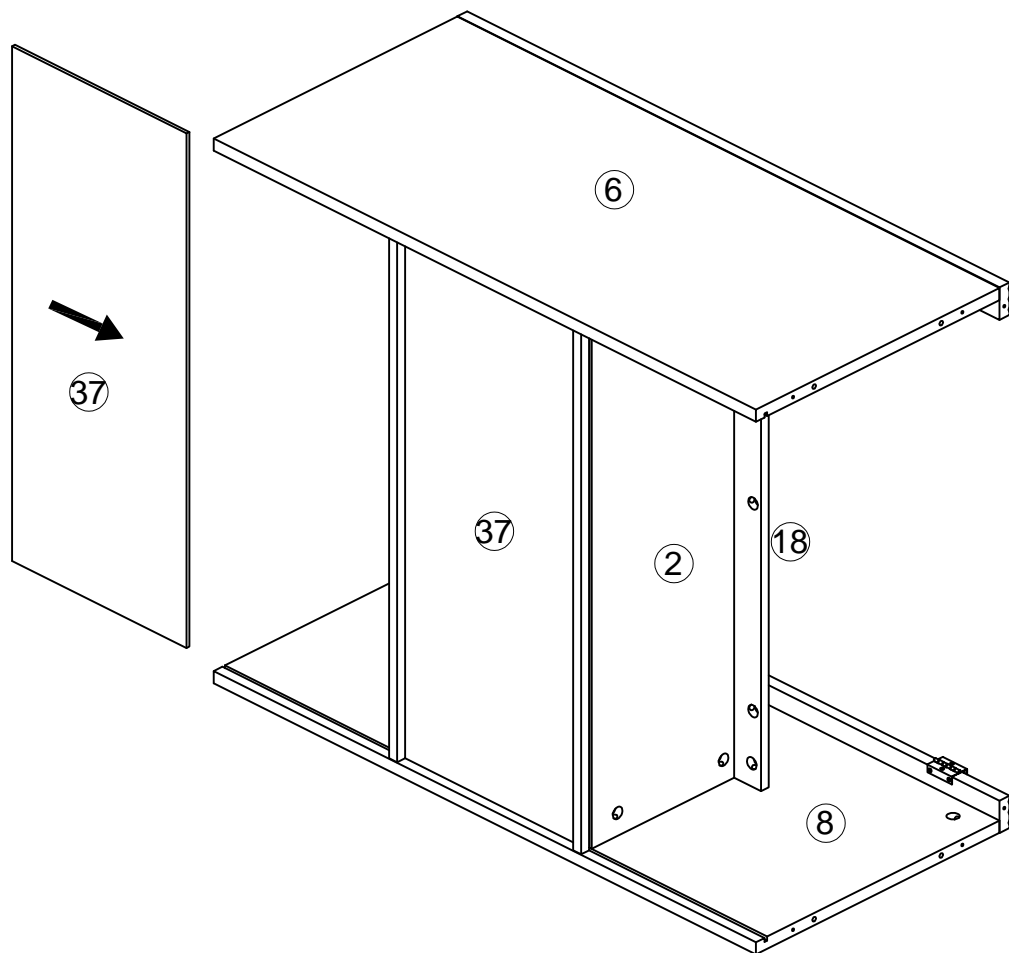
25



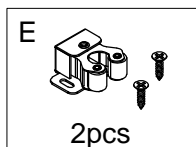
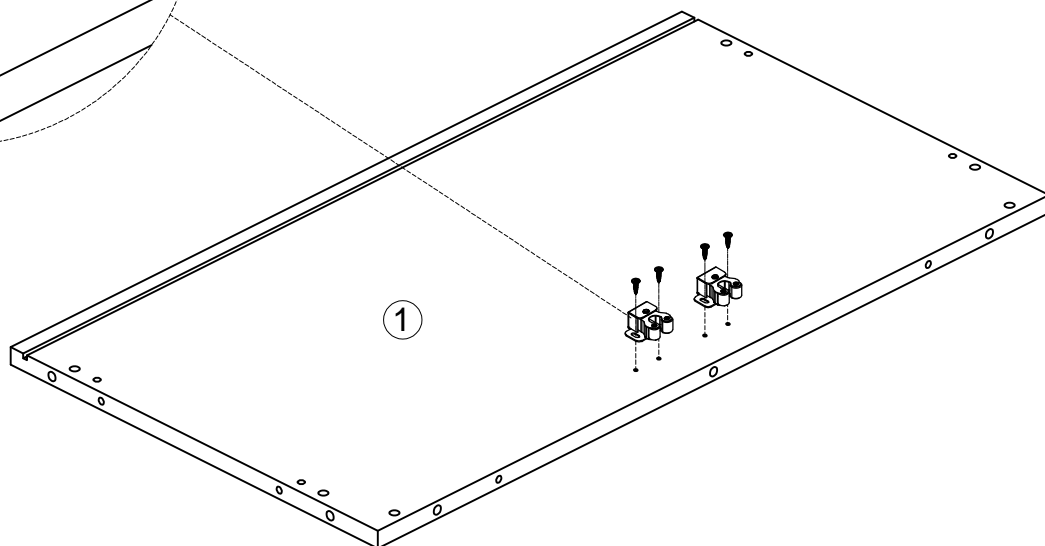
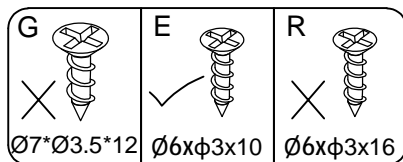
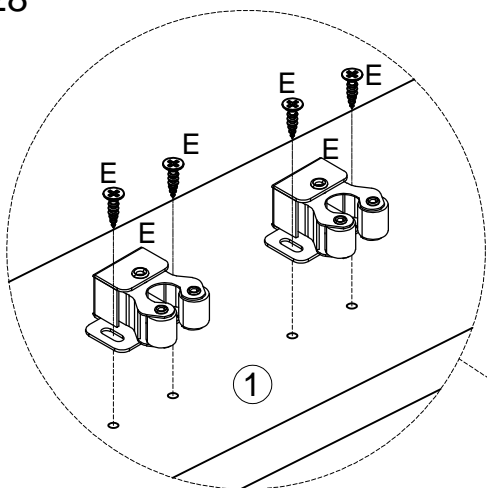
26



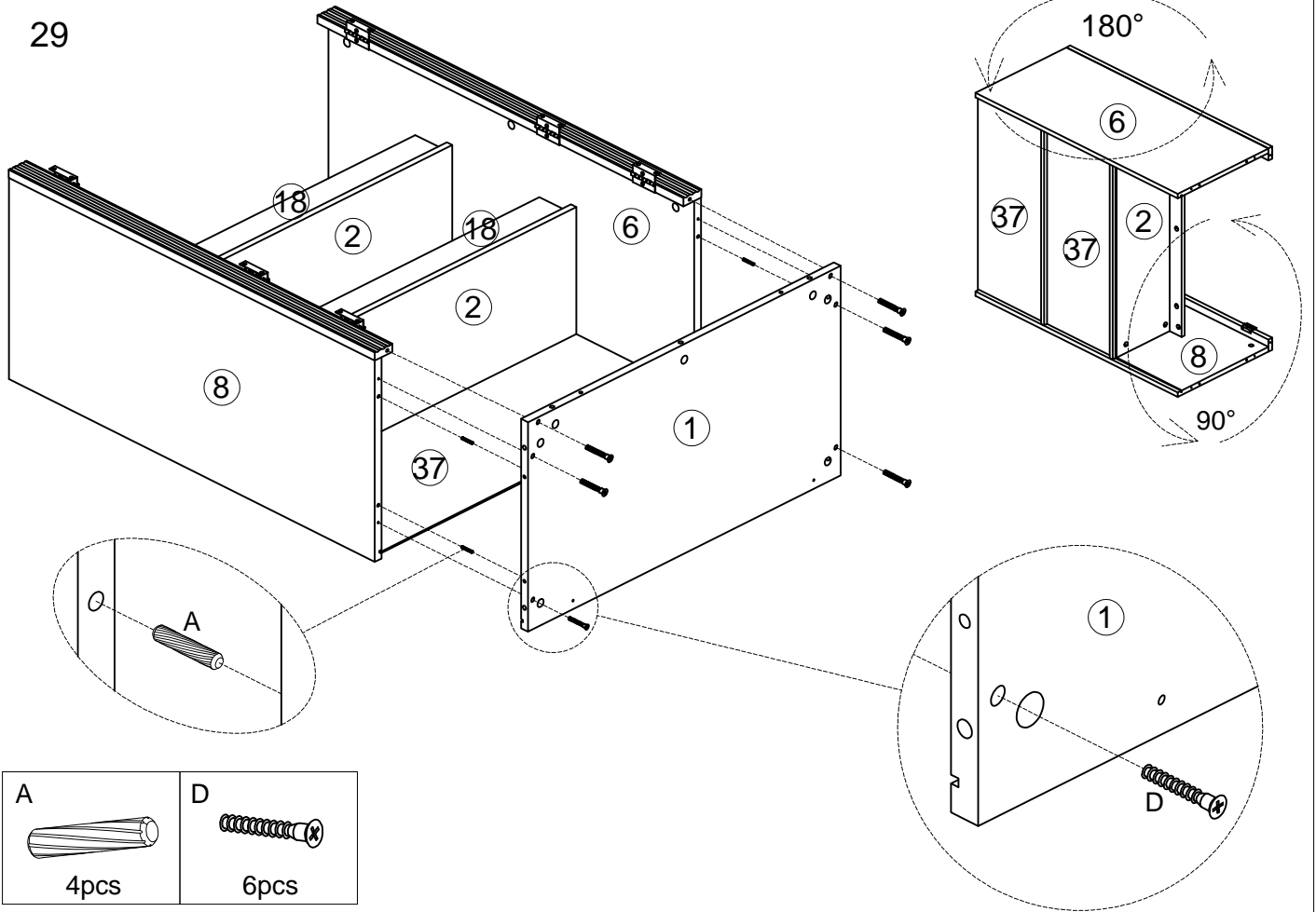
27



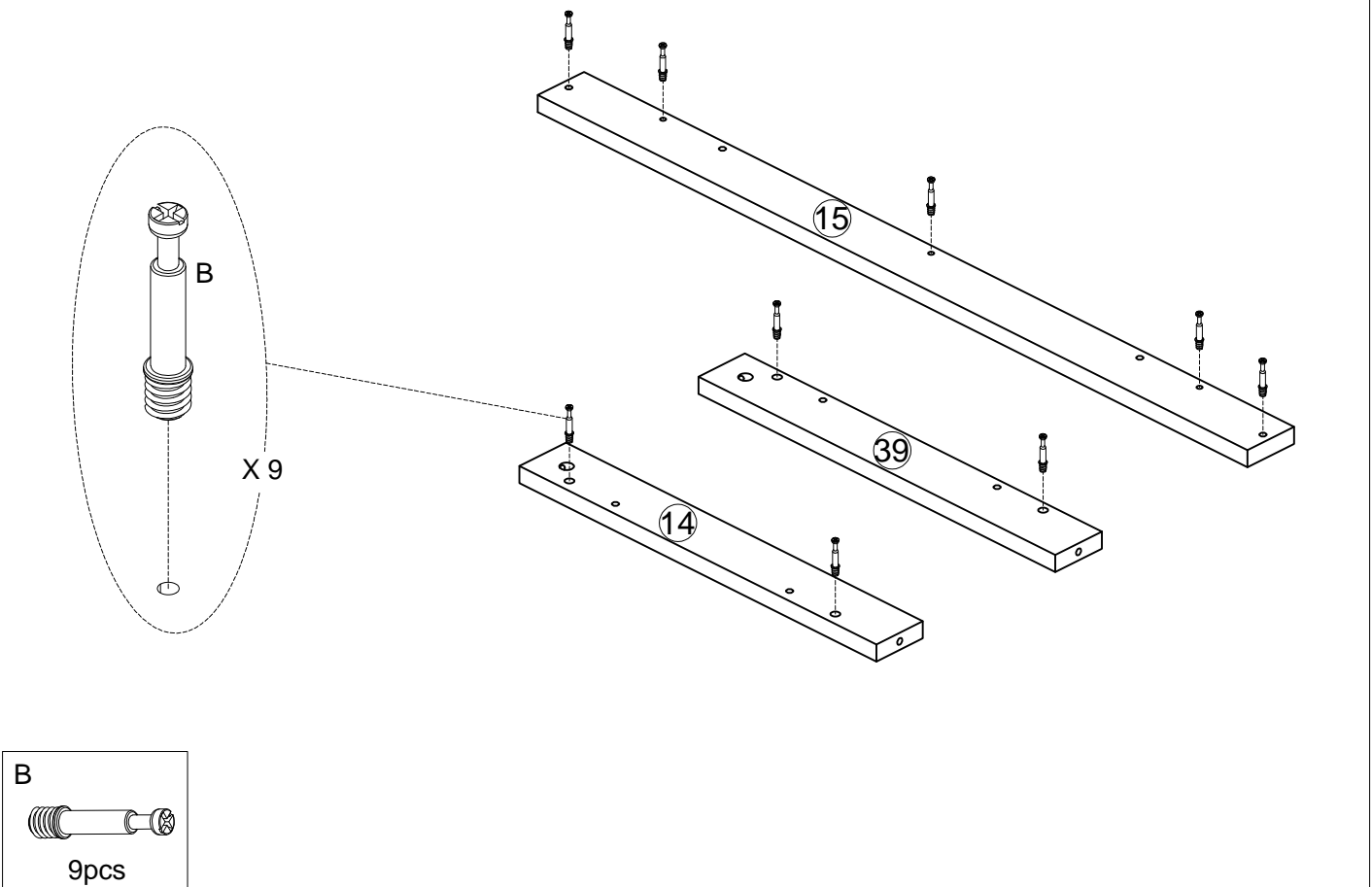
28



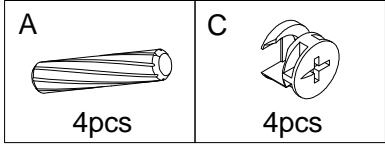
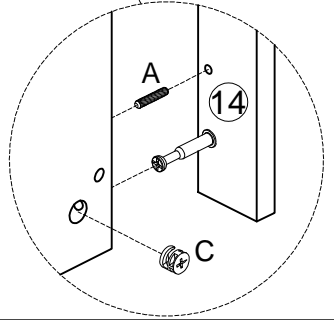
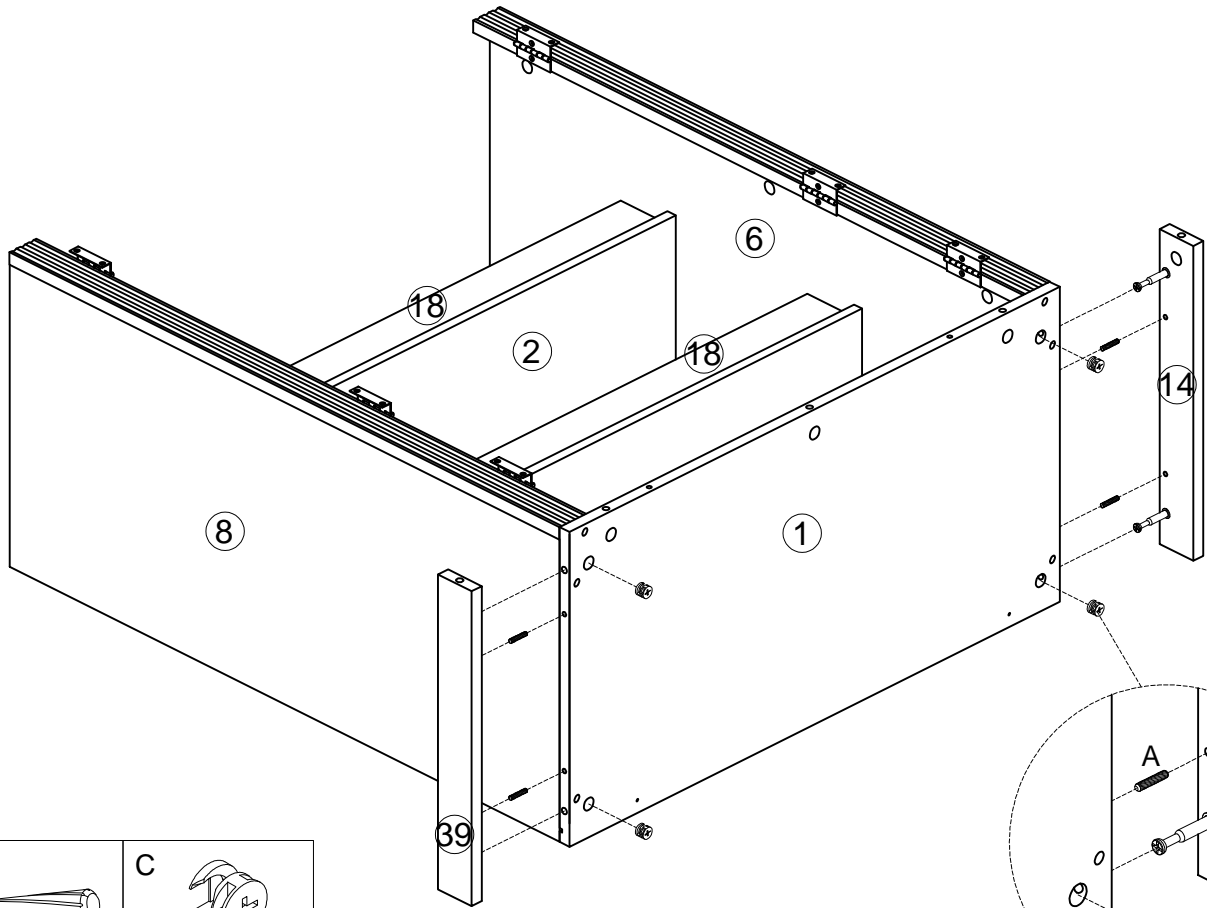
29



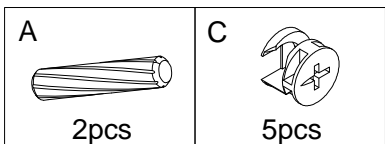
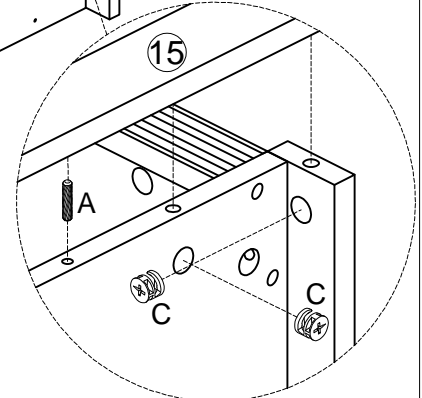
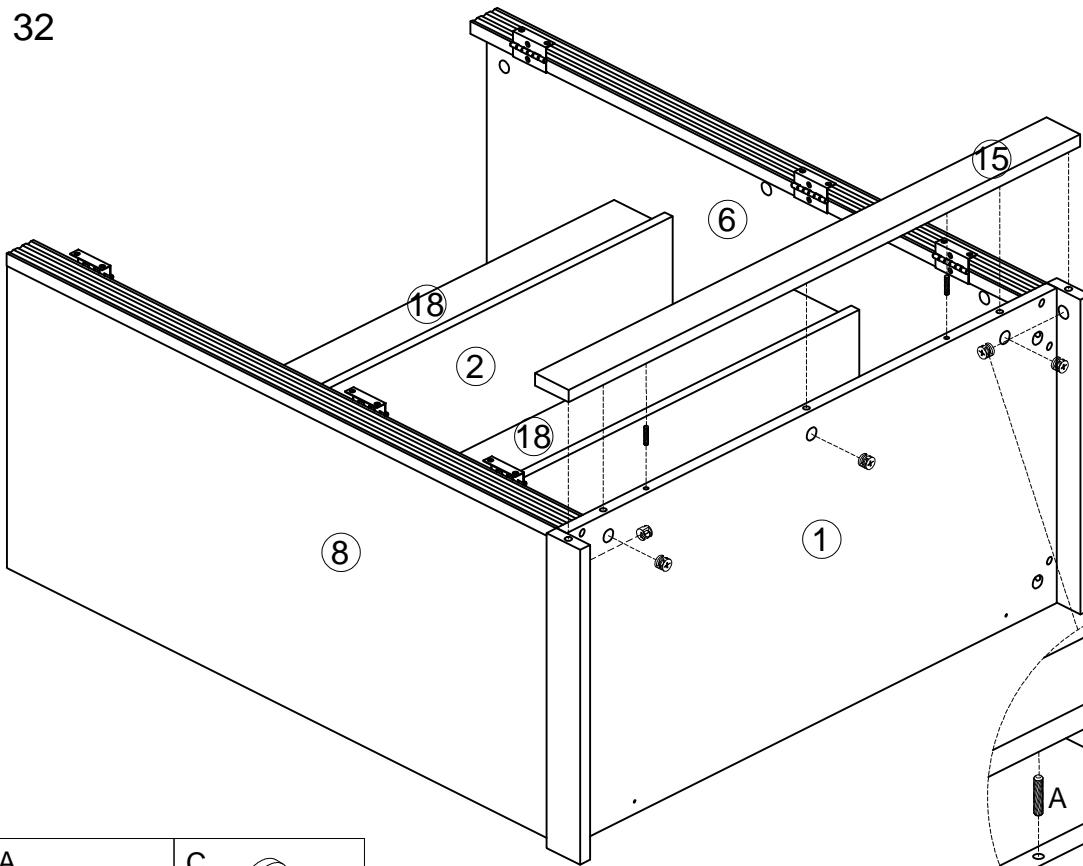
30



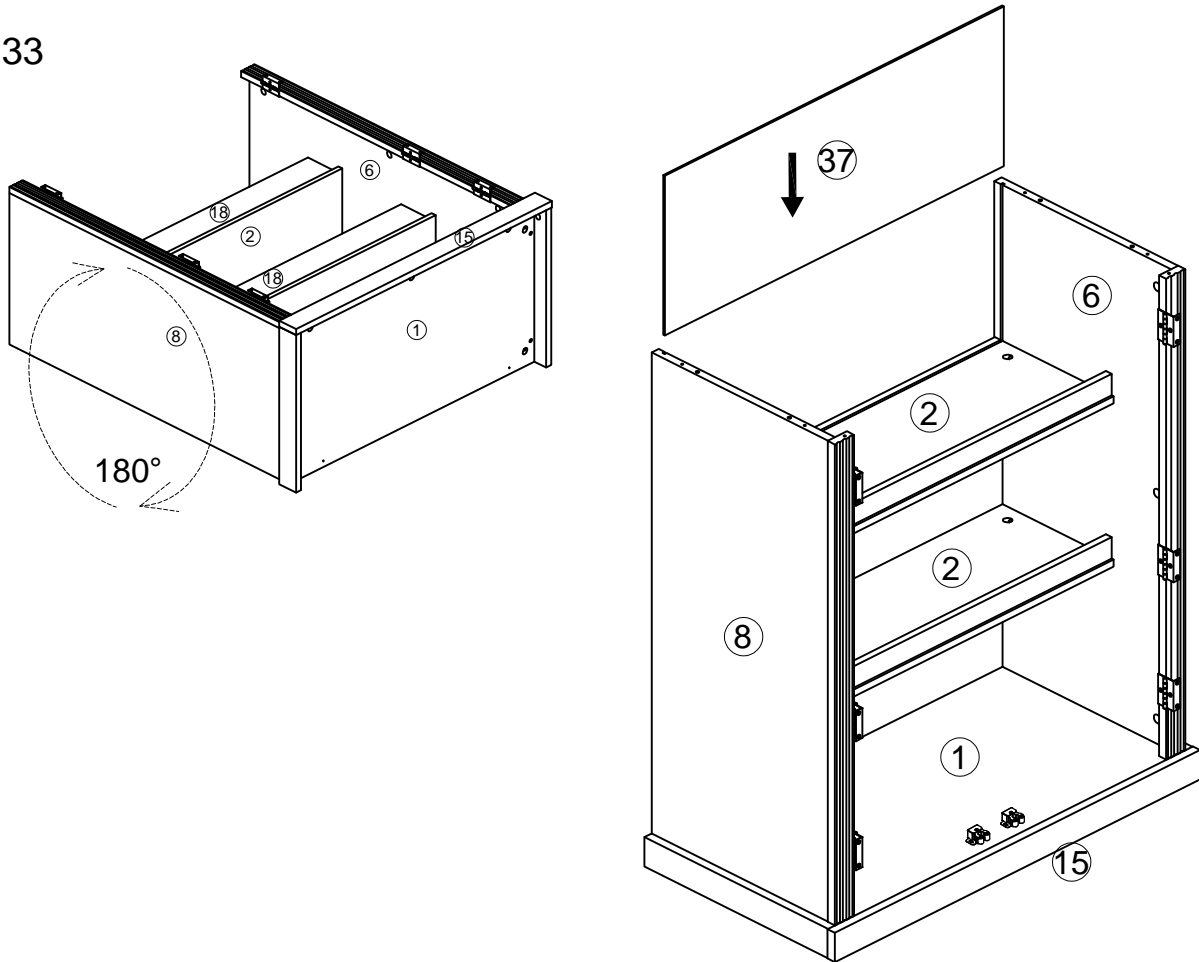
31



32

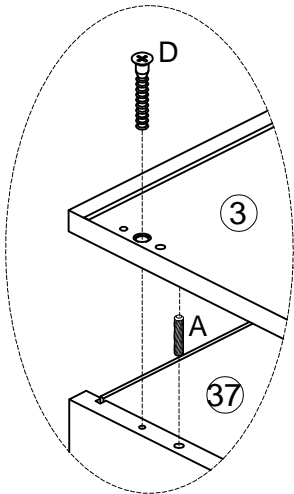


33

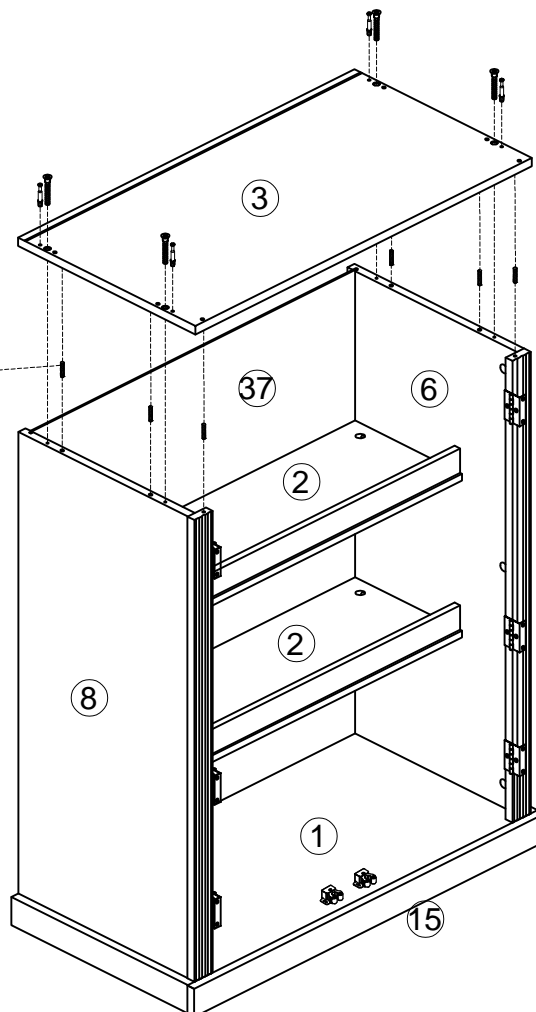
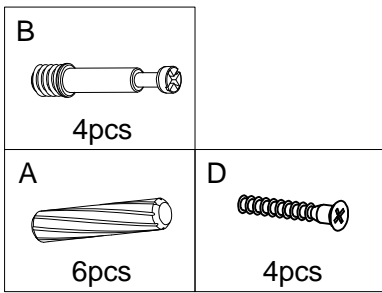
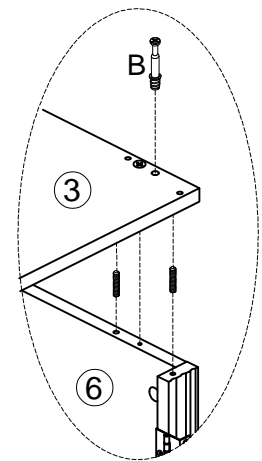


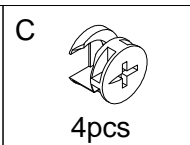
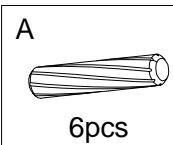
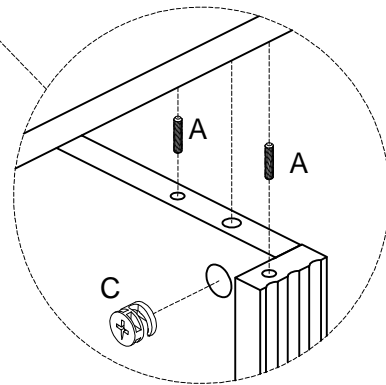
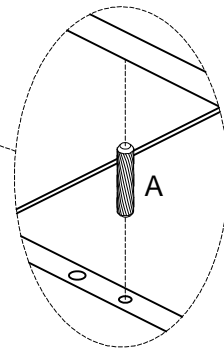
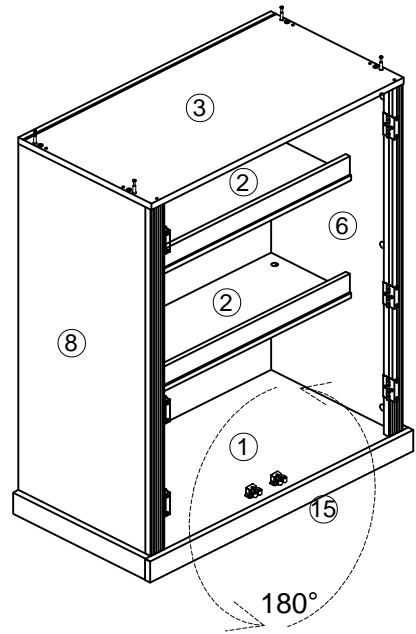
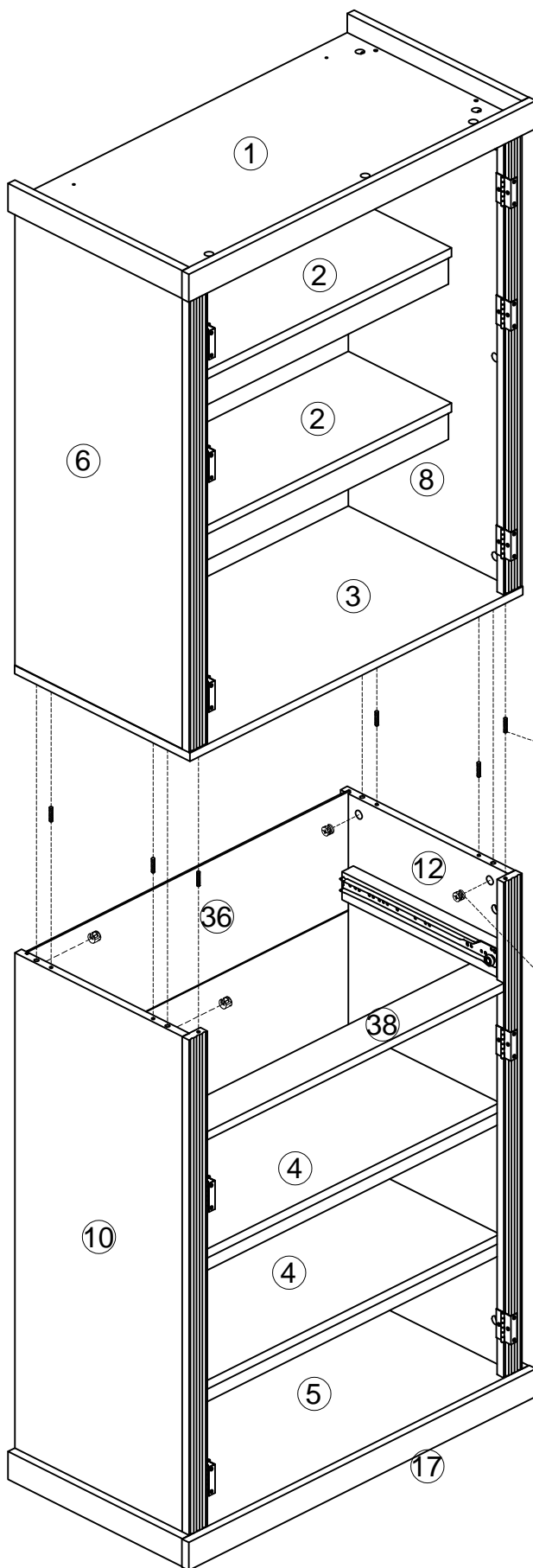
34

NO1: Lock screw D first



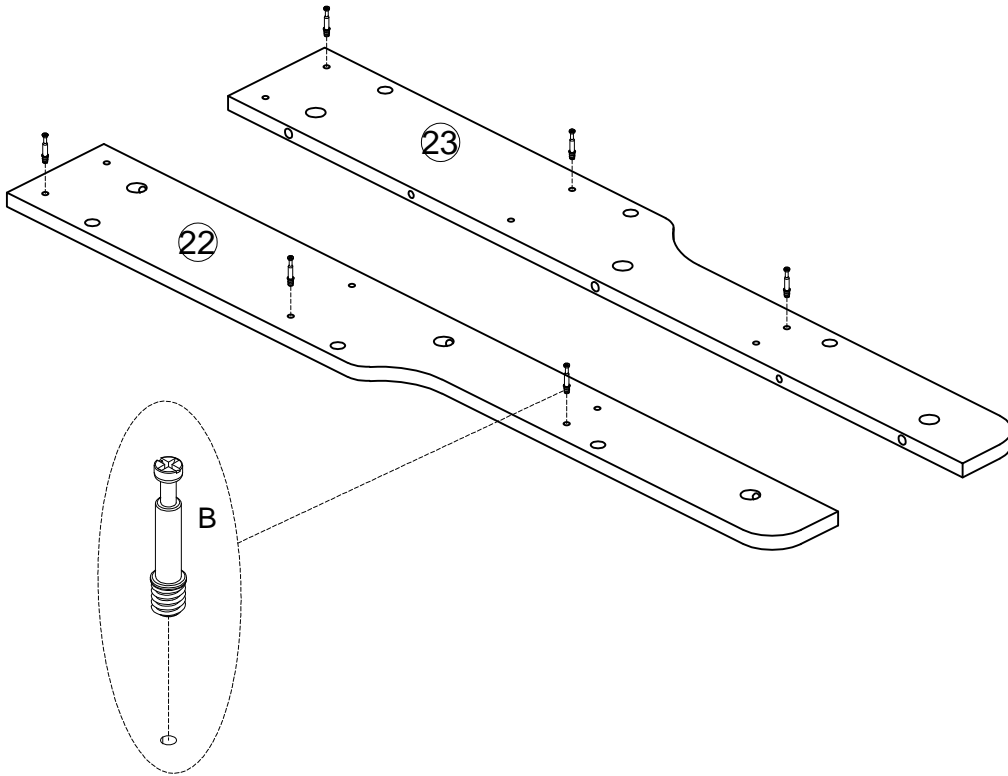
NO2: Finally lock screw B



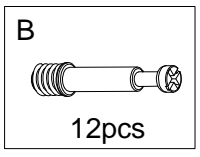


! WARNING !
 Be careful not to clip your hand when installing the above cabinet

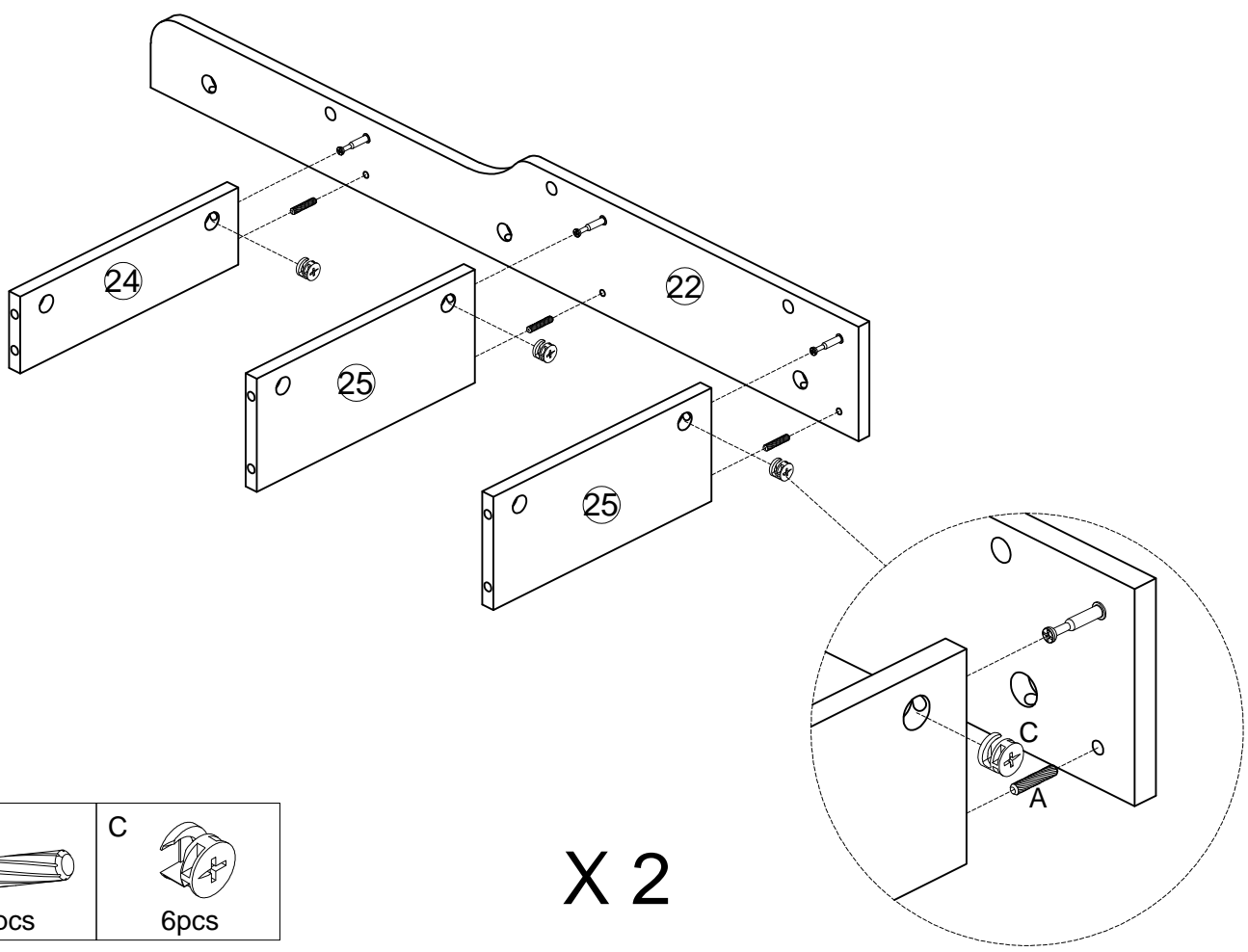
36



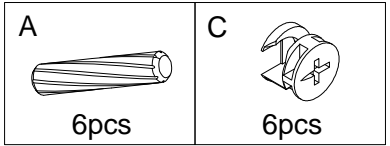
X 2



37

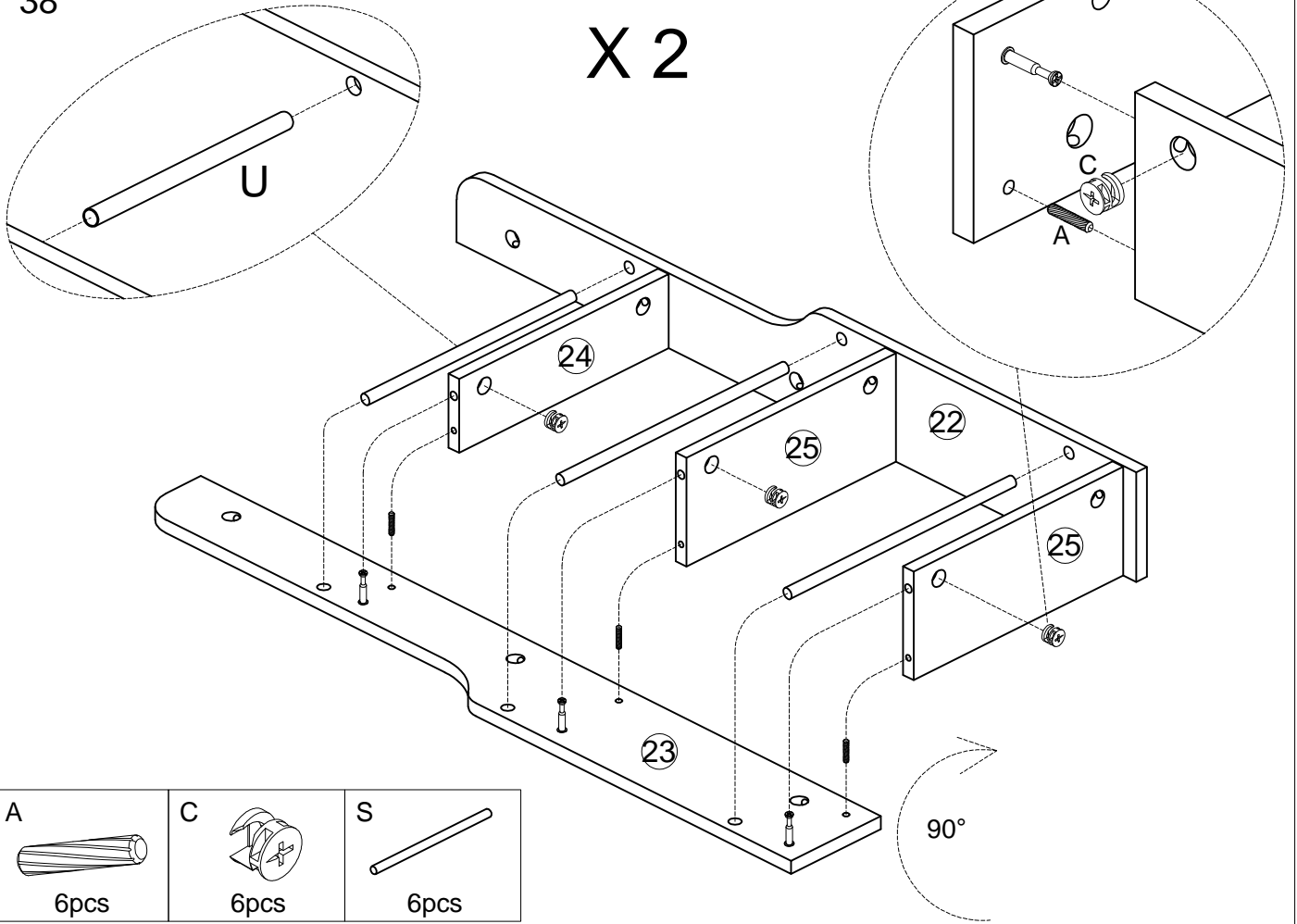


X 2

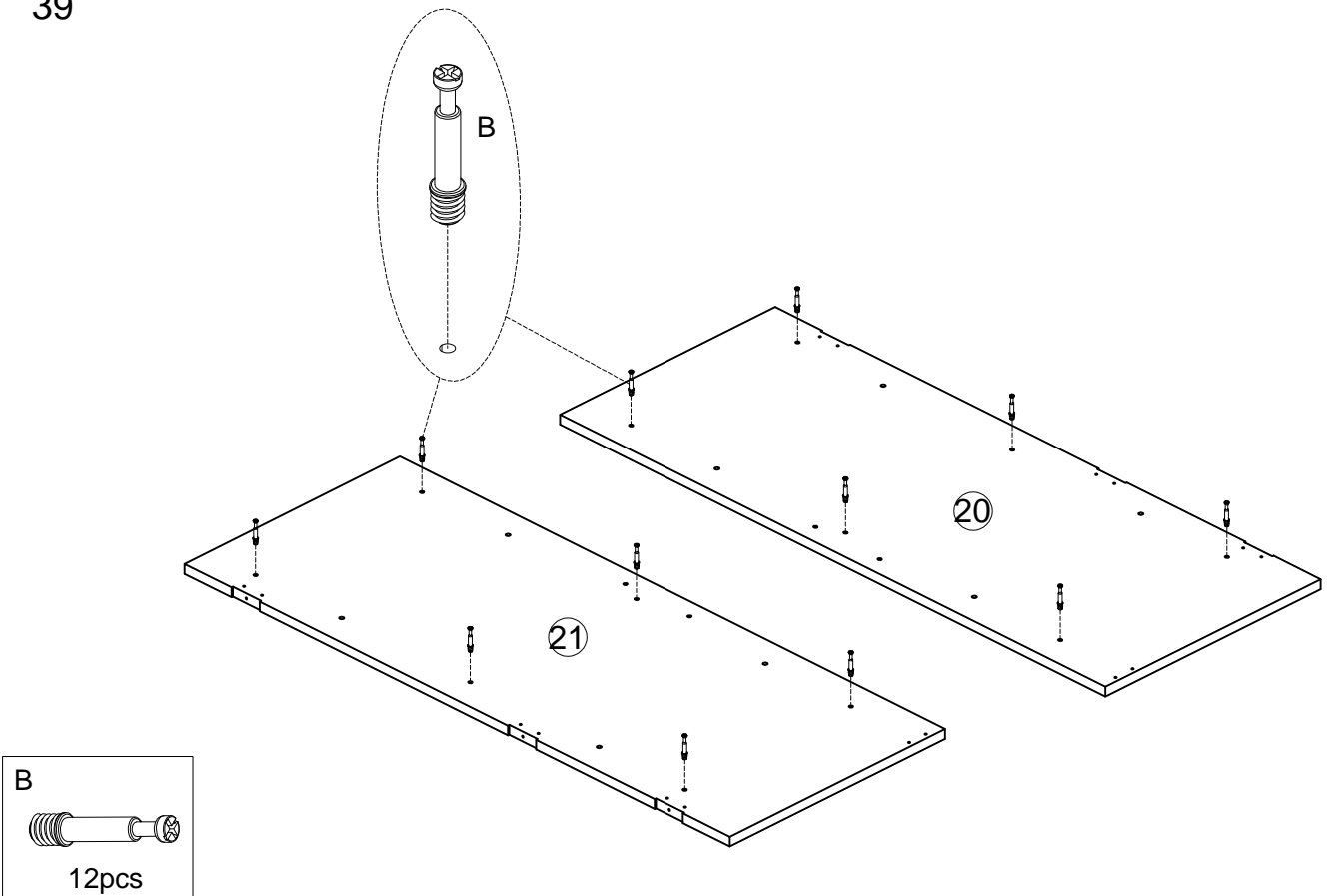


38

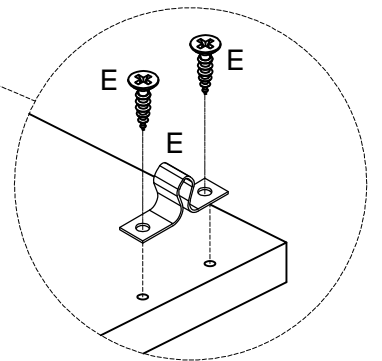
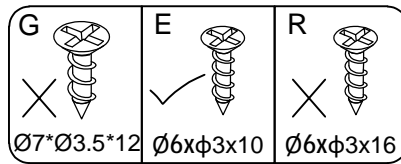
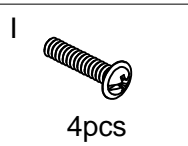
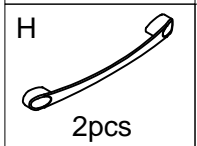
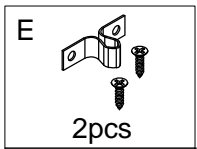
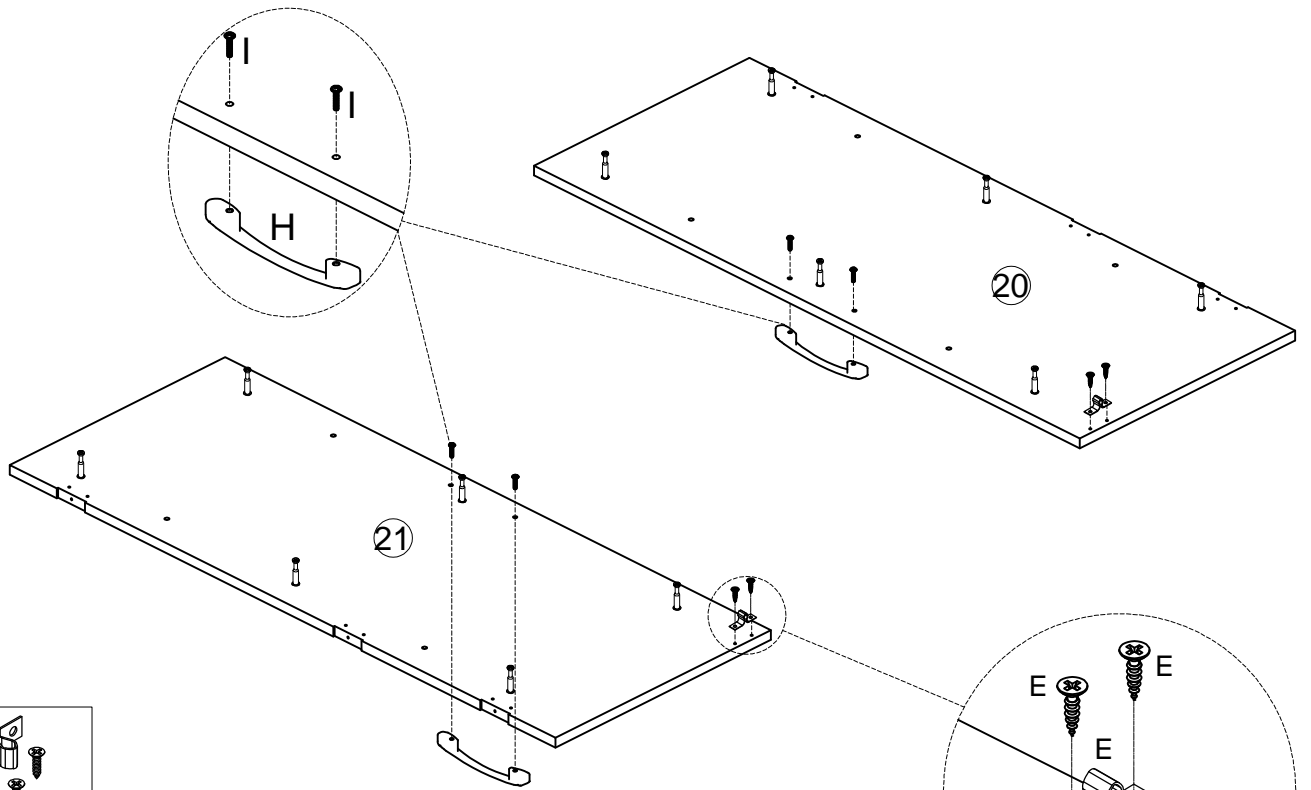
X 2



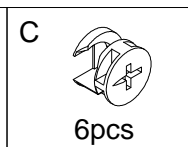
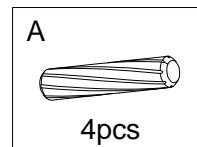
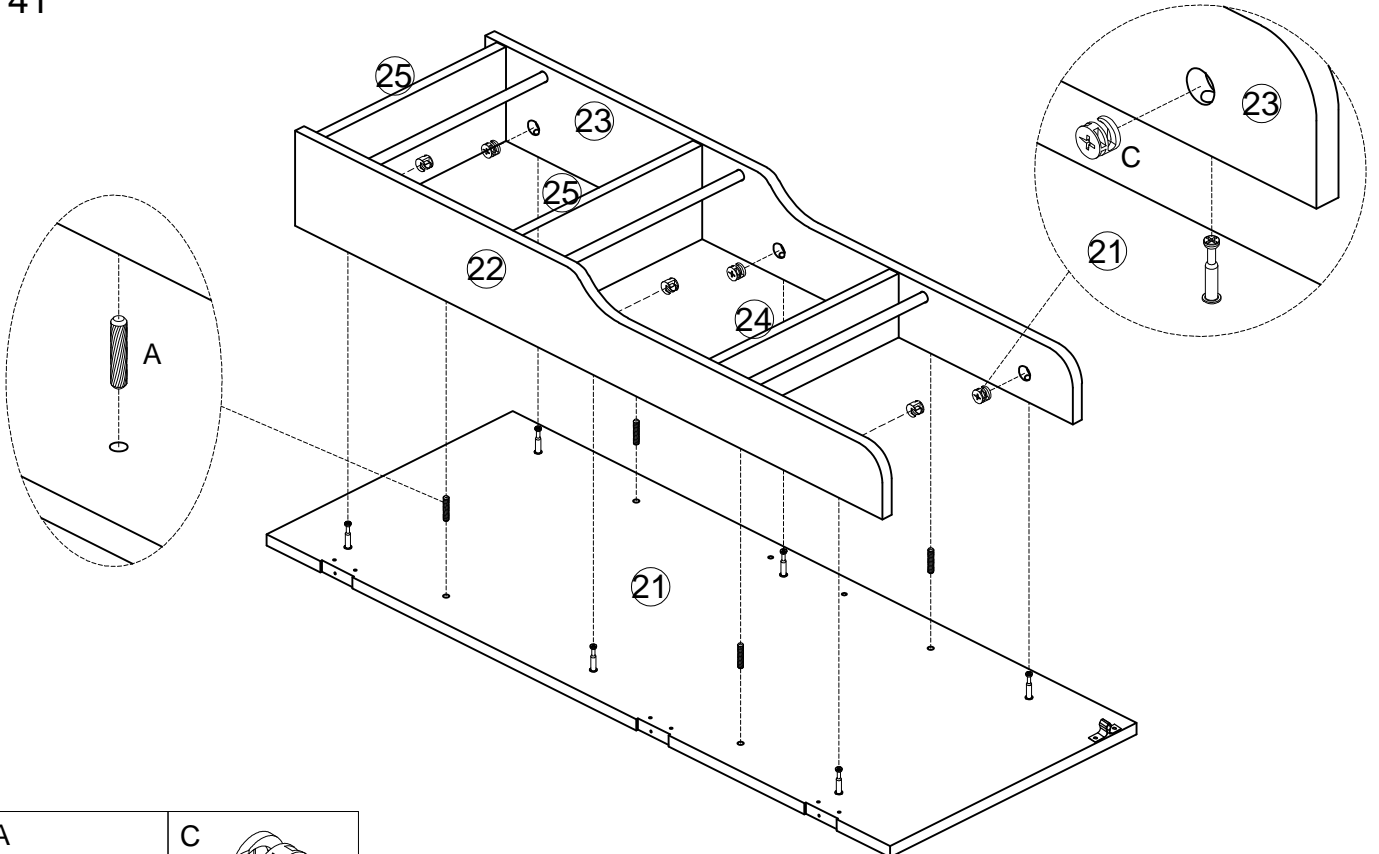
39



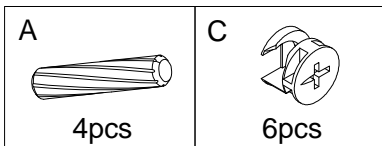
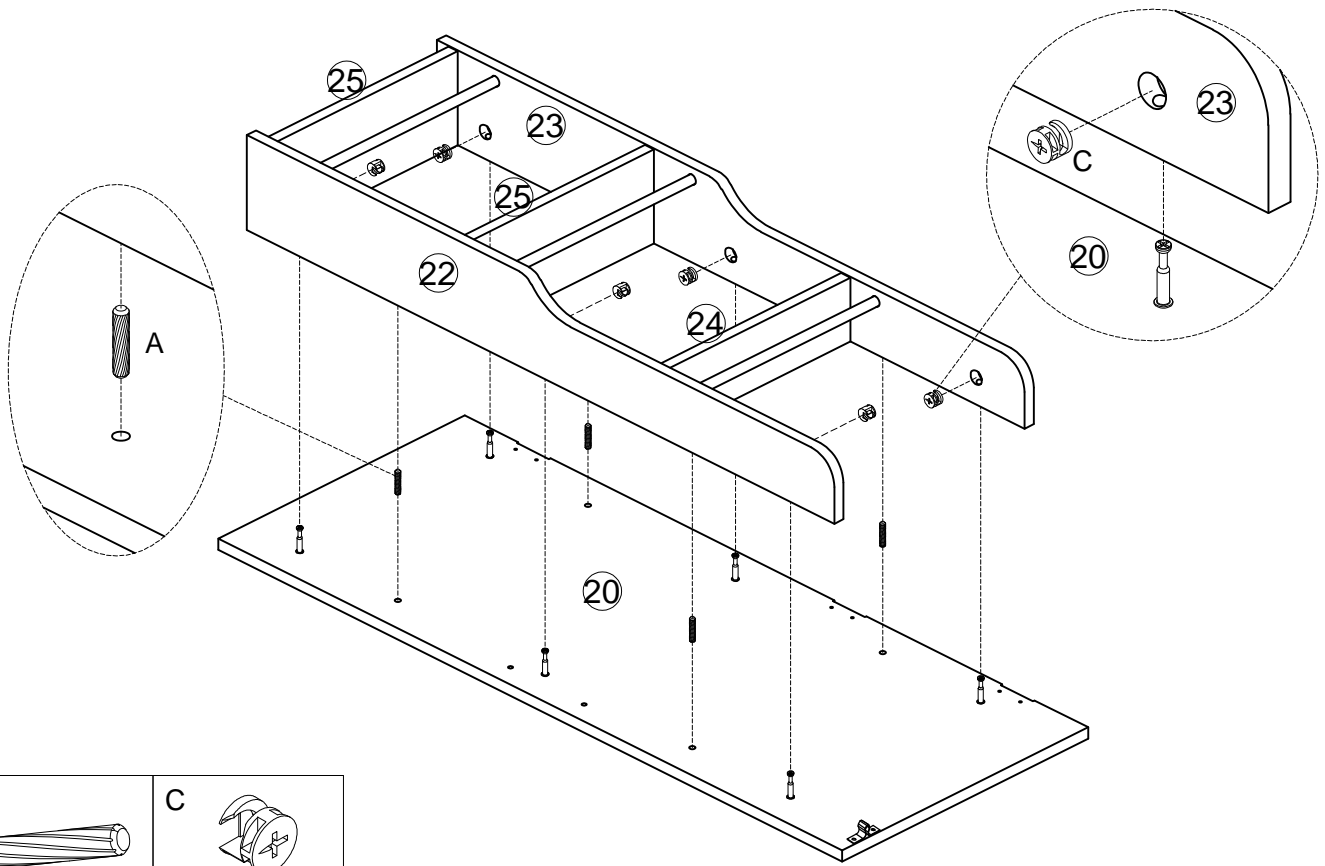
40



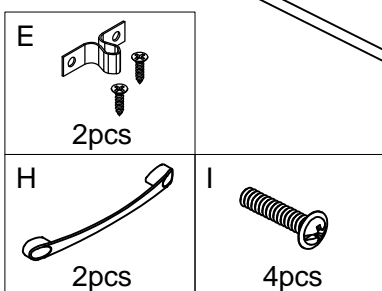
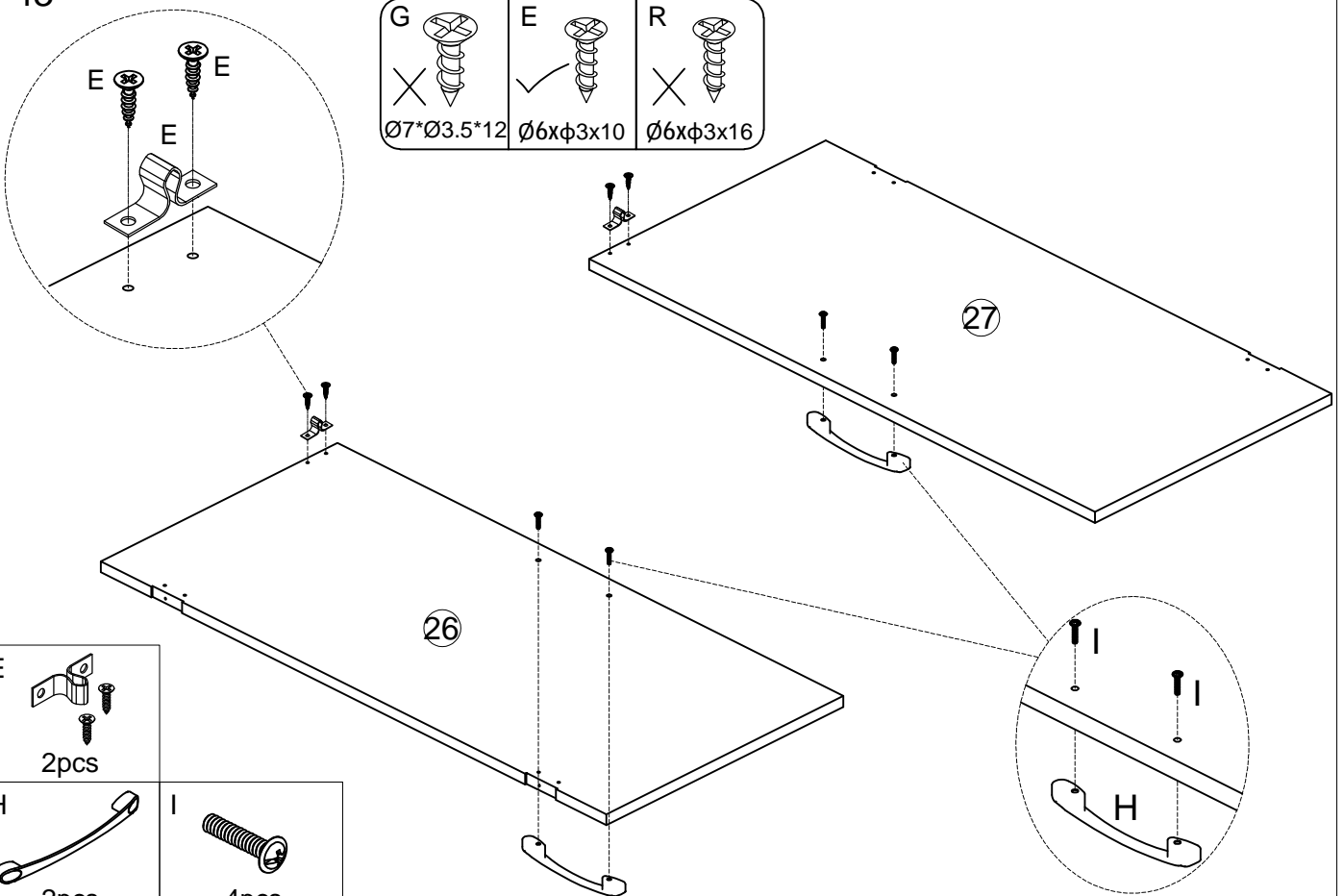
41

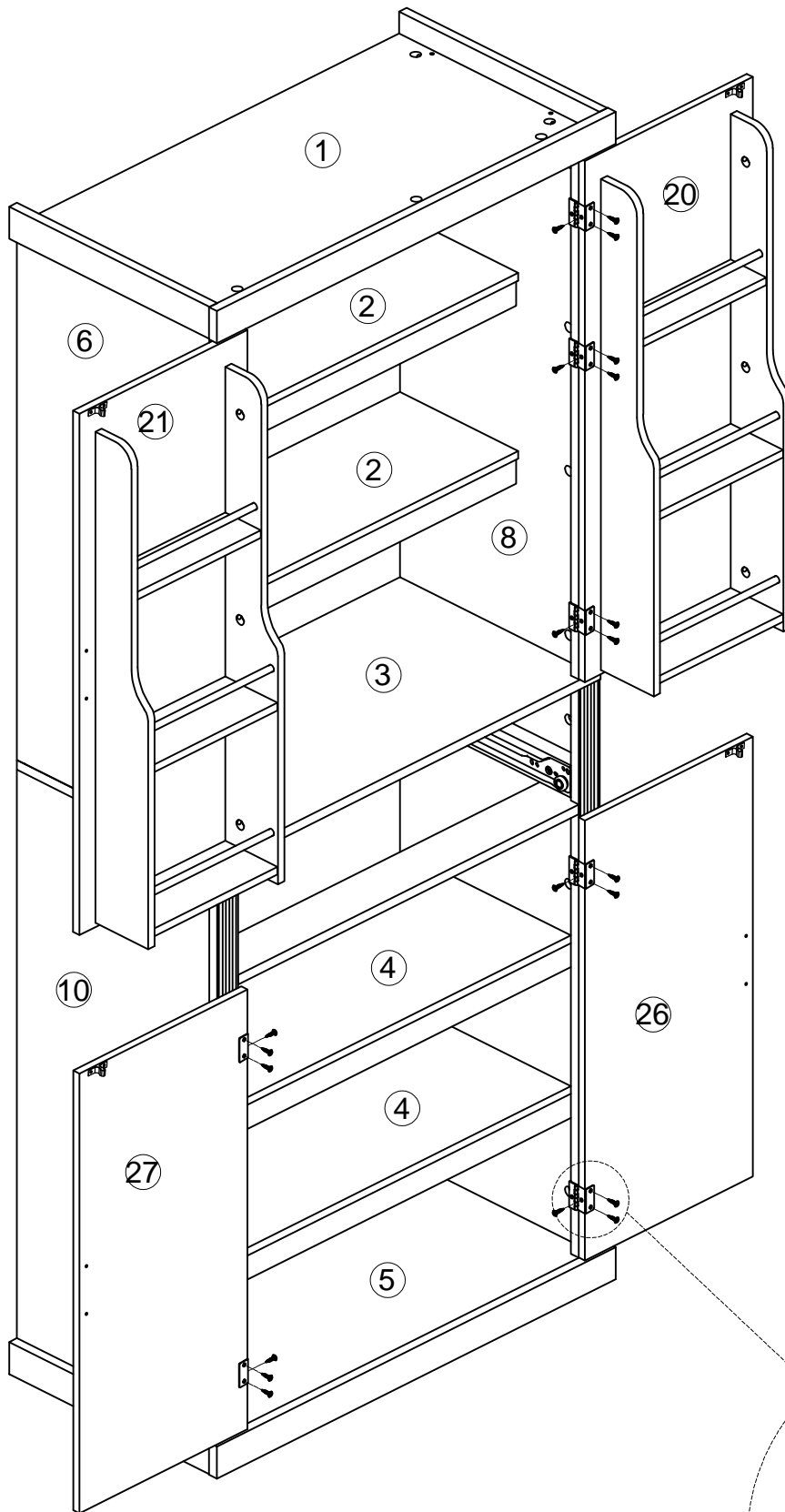


42

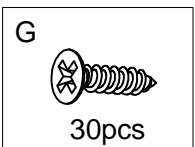
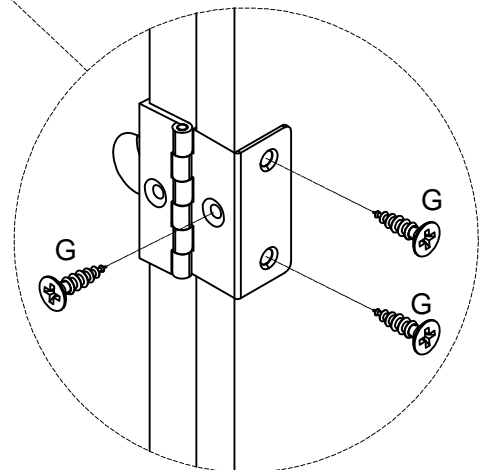


43

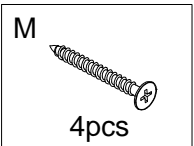
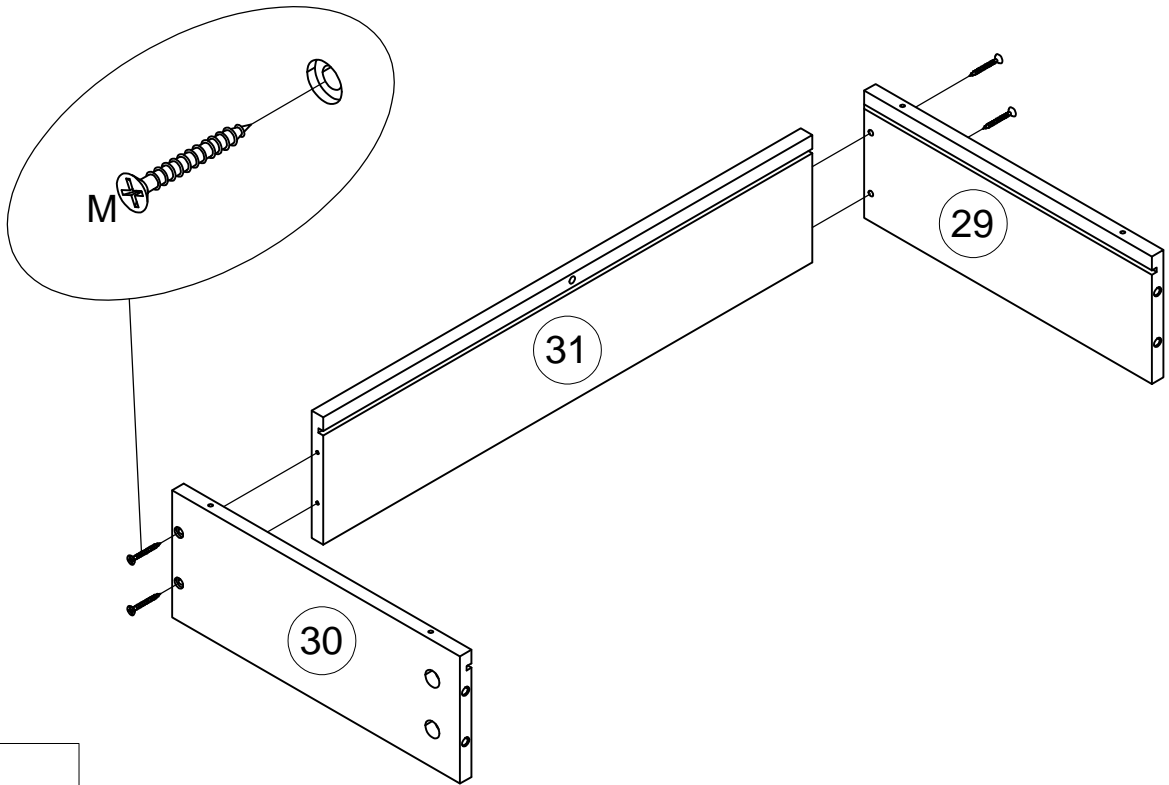




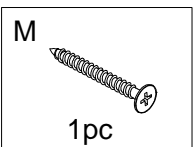
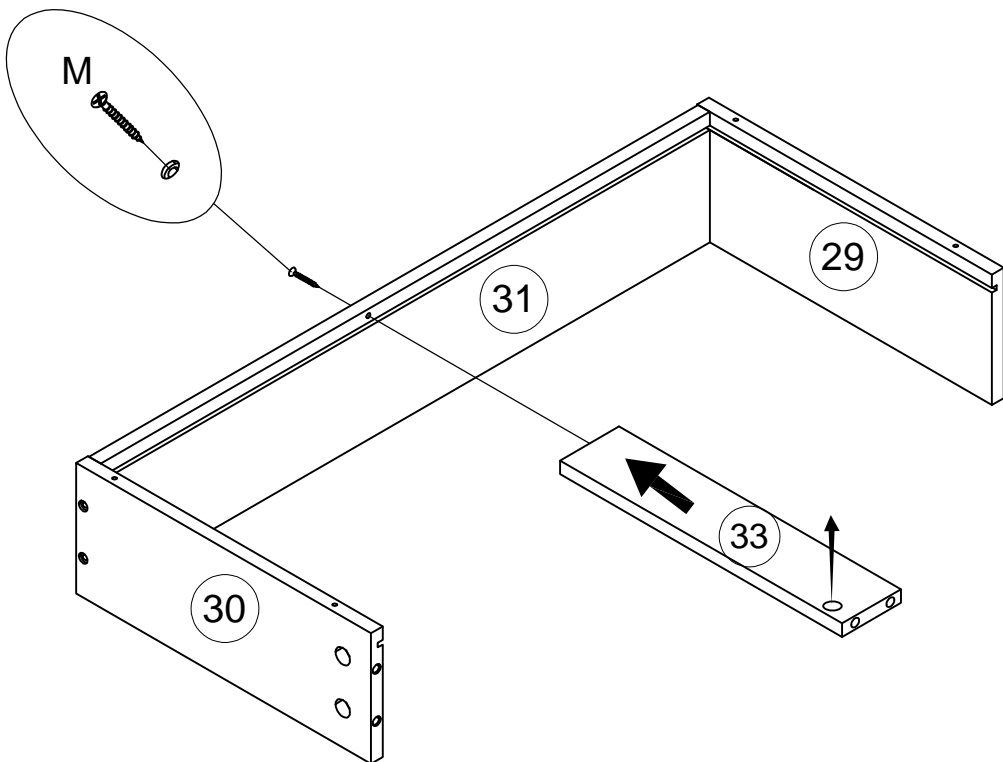
G	E	R
✓	✗	✗
Ø7*Ø3.5*12	Ø6xØ3x10	Ø6xØ3x16



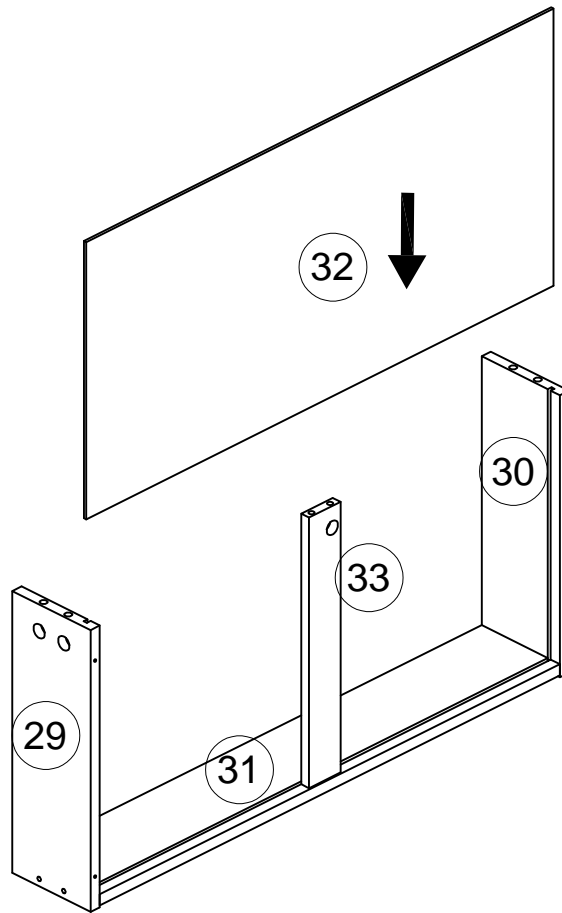
45



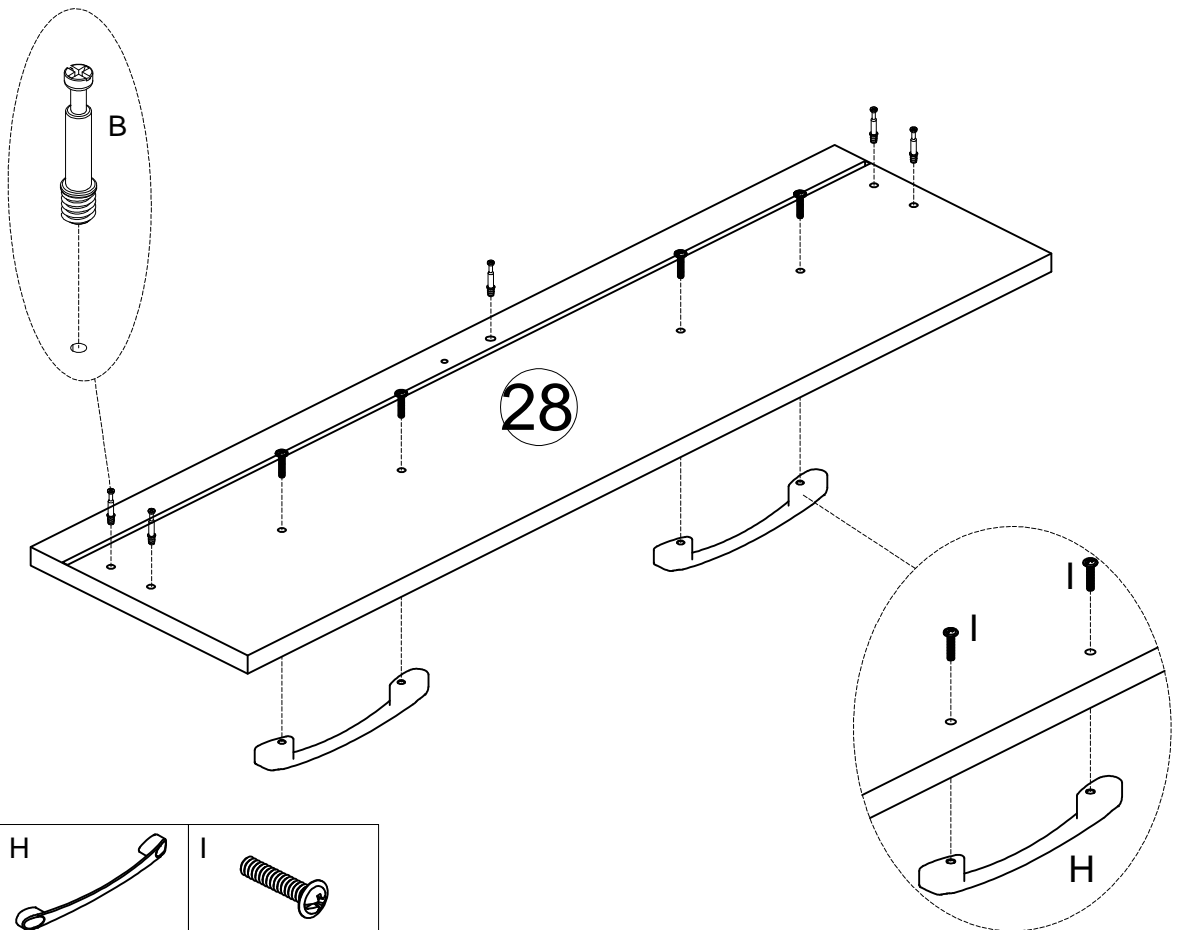
46



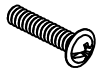


47

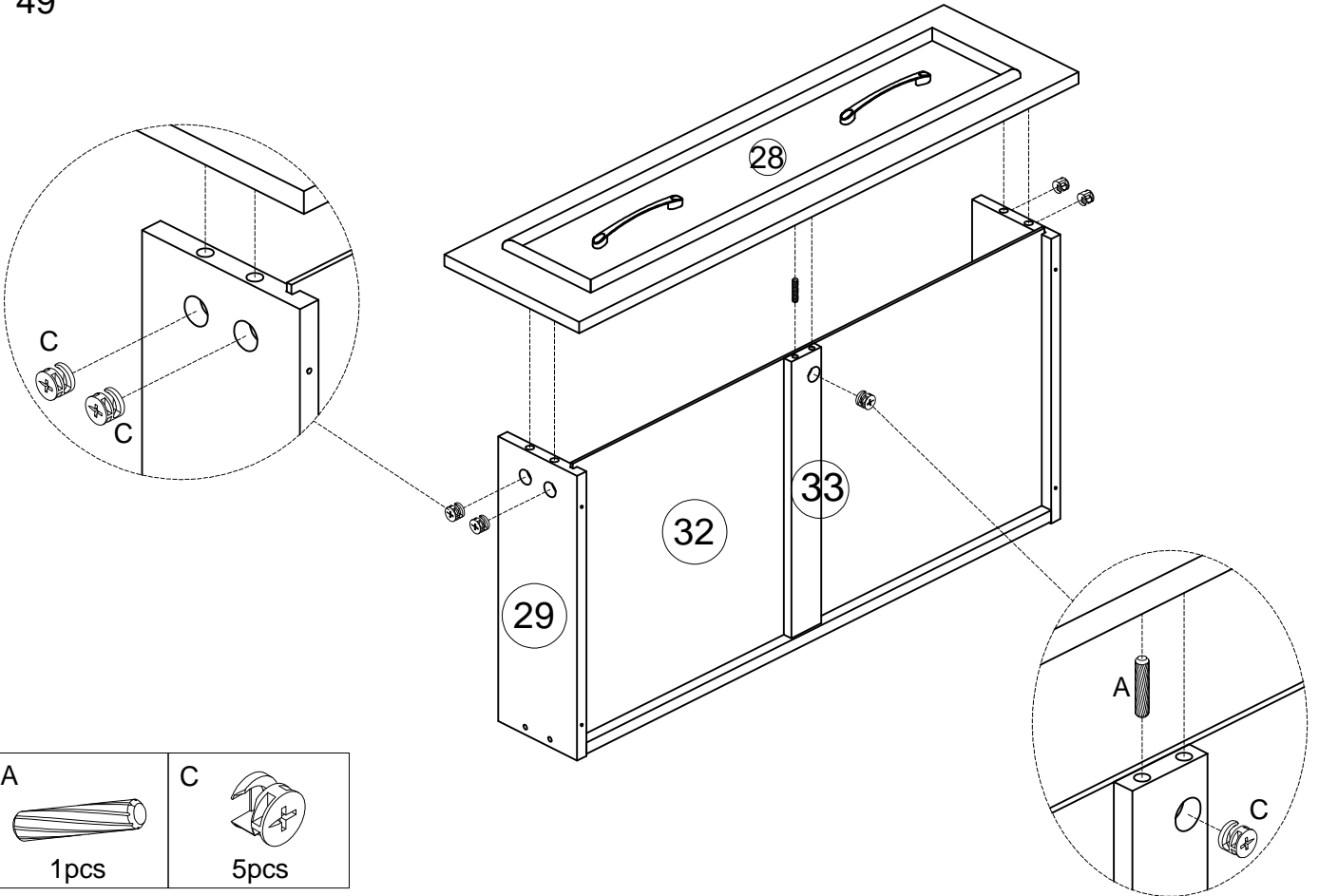



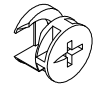
48



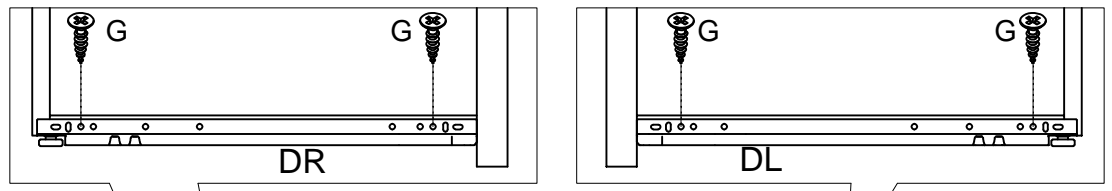
B  5pcs	H  2pcs	I  4pcs
---	---	---




49

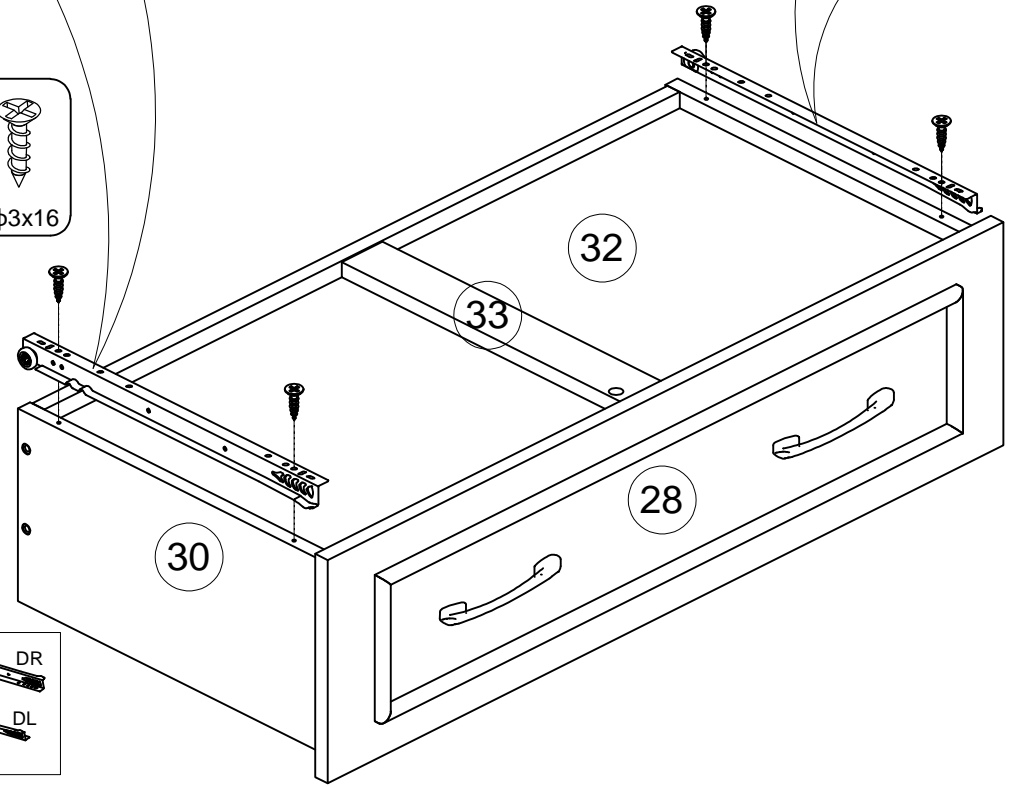


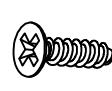
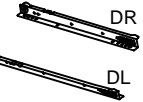
- | | |
|--|--|
| <p>A</p>  <p>1pcs</p> | <p>C</p>  <p>5pcs</p> |
|--|--|

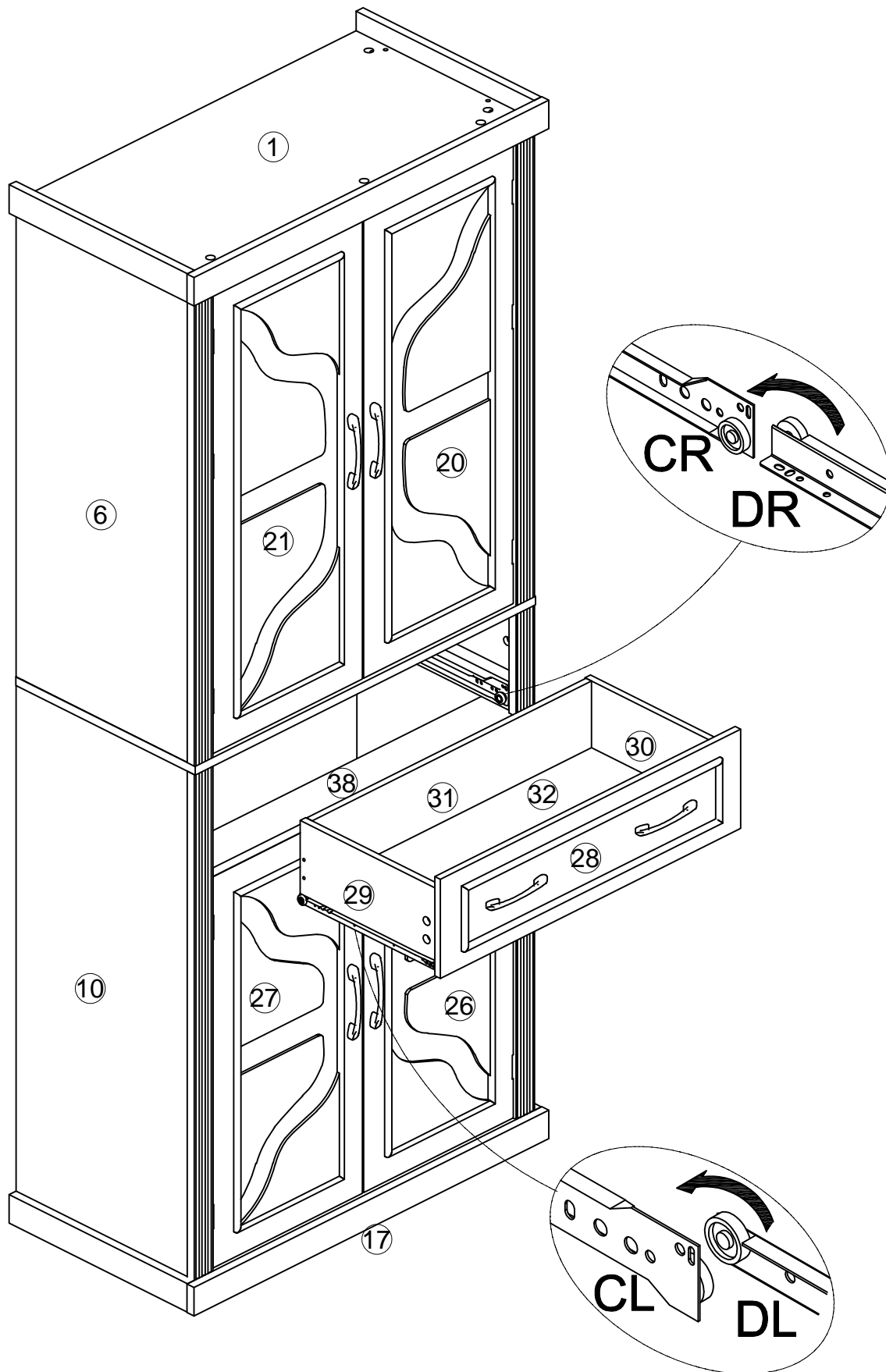
50

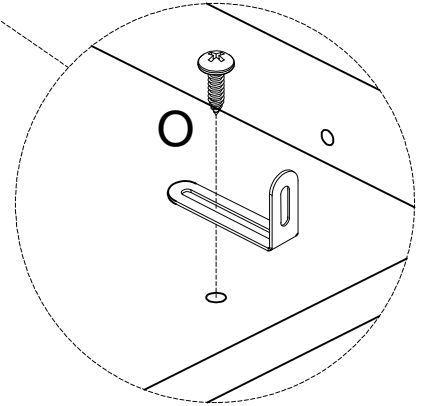
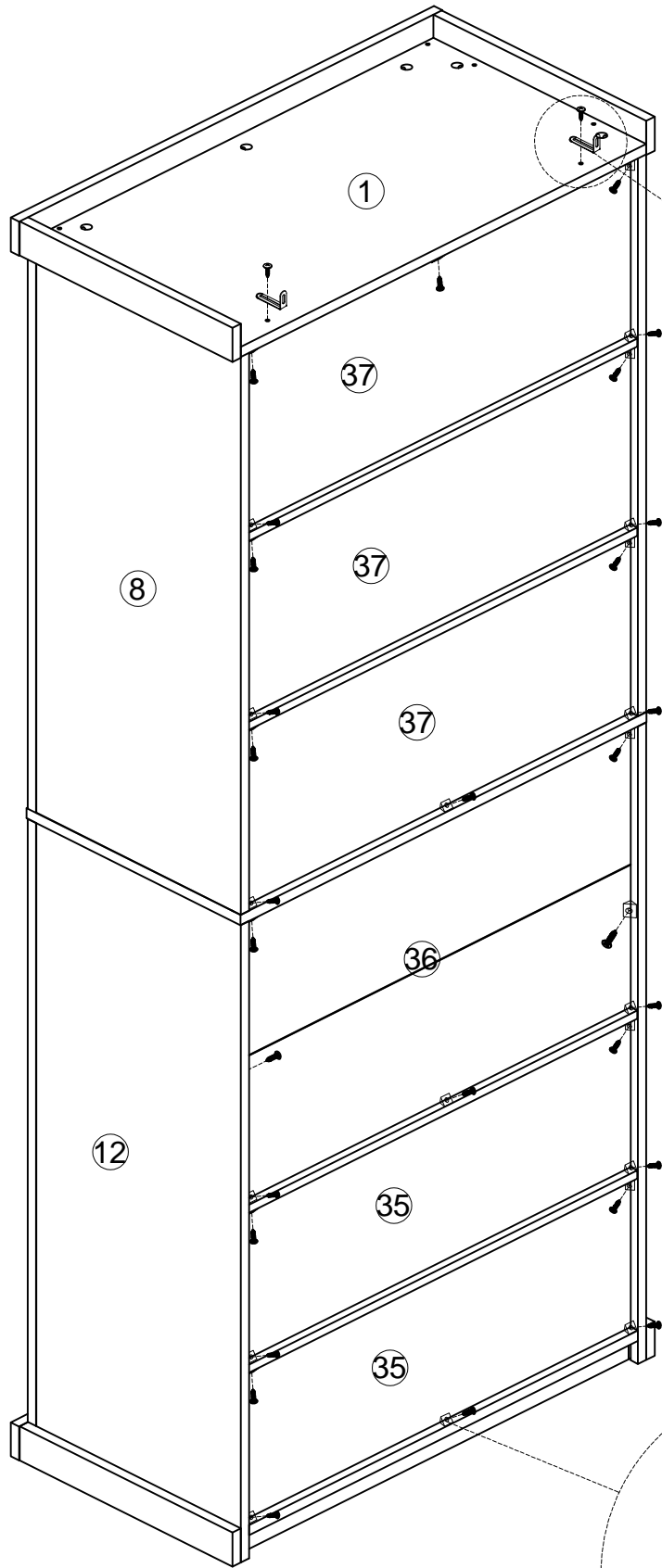


- | | | |
|---|---|---|
| <p>G</p>  <p>✓
Ø7*Ø3.5*12</p> | <p>E</p>  <p>✗
Ø6xØ3x10</p> | <p>R</p>  <p>✗
Ø6xØ3x16</p> |
|---|---|---|

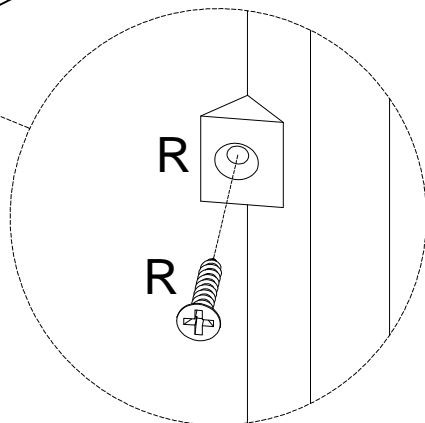


- | | |
|---|--|
| <p>G</p>  <p>4pcs</p> | <p>J</p>  <p>1pc</p> |
|---|--|

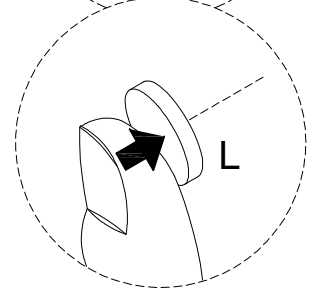
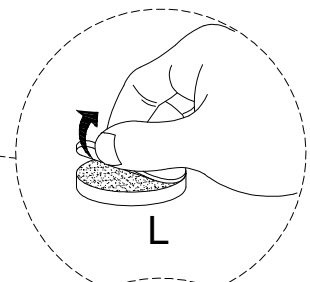
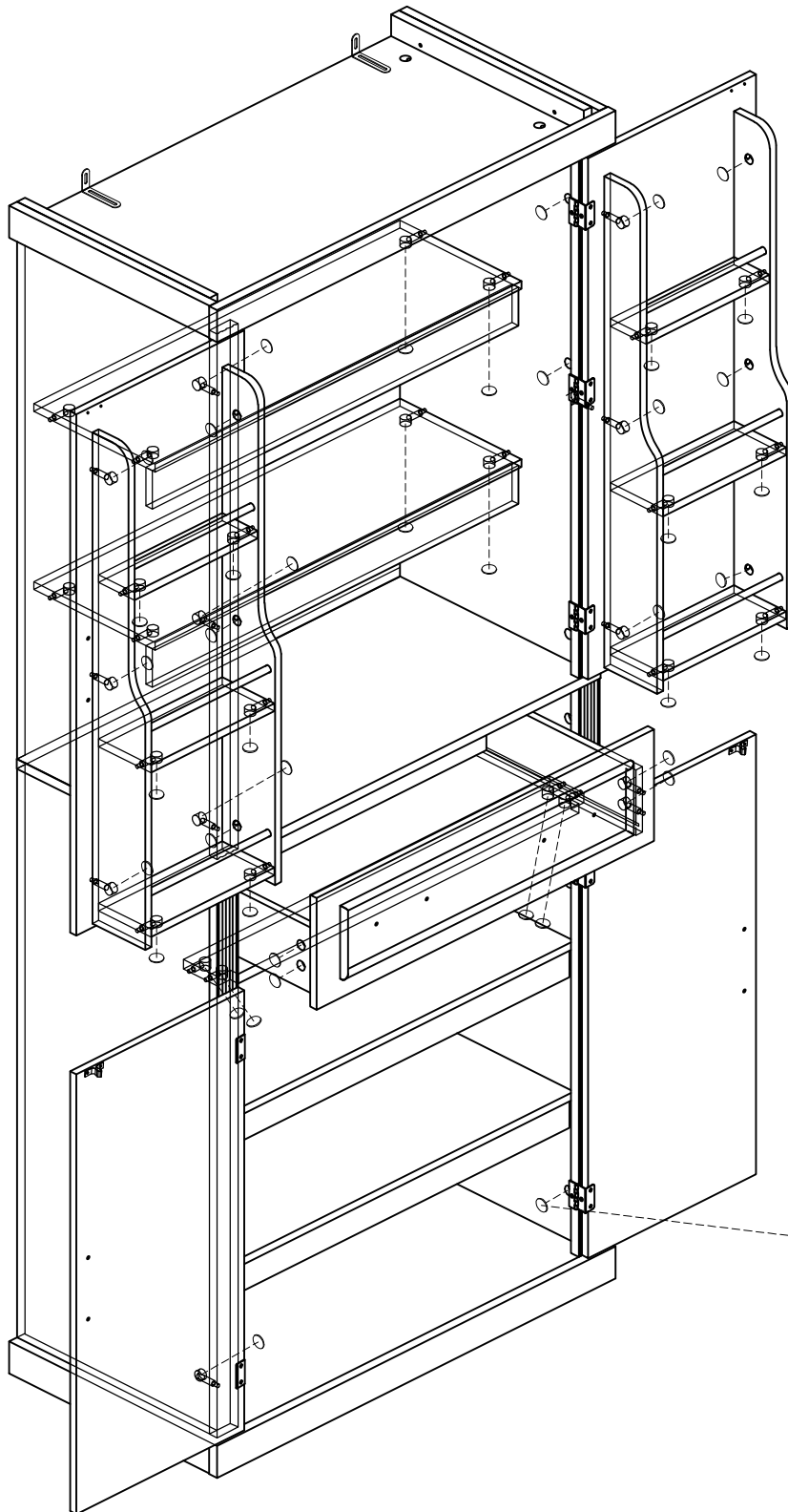




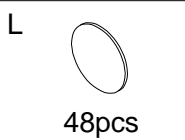
G		E		R	
X		X		✓	
Ø7*Ø3.5*12		Ø6xØ3x10		Ø6xØ3x16	

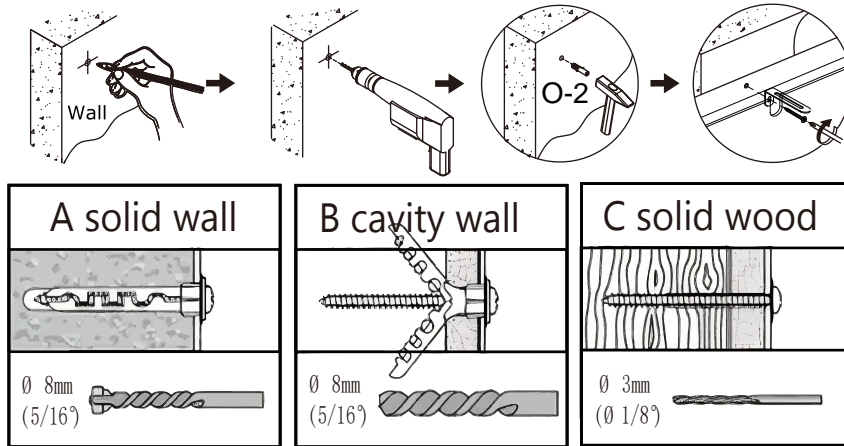


R		O	
30pcs		2pcs	



Cover the visible hole with a cap





⚠ Warning: If you overturn the furniture, it may cause serious or fatal crushing injuries. We have a wall connection device attached, please use it to hold the furniture following these instructions.

1. Mark the corresponding hole positions where you want to place the furniture;
2. Use a impact drill to drill holes and pay attention to avoid wires and water pipes;
3. Knock the expansion pipes into the wall holes;
4. Place the furniture in the corresponding position and tighten the wall connection device with screws.
5. The product can be fixed in place, and a anti-toppling device can be optionally installed!

