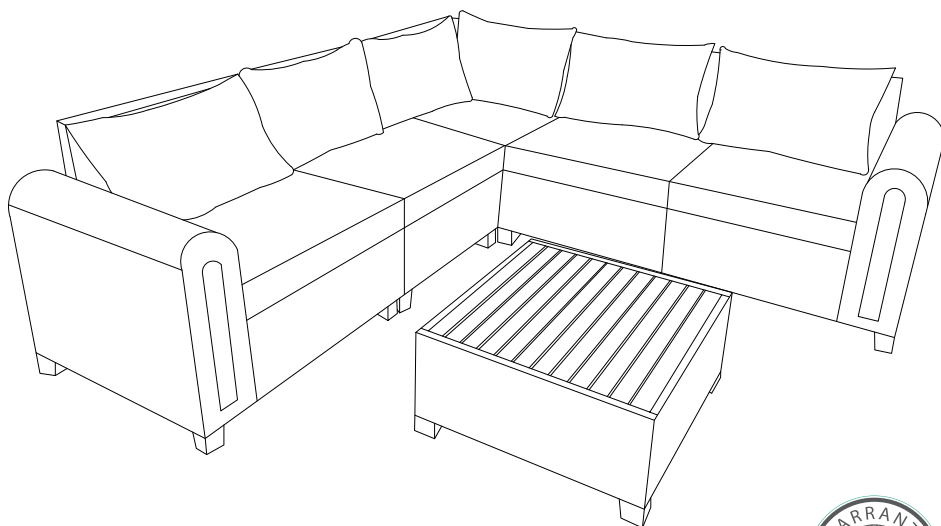


sku:AP-YFS01/02/03



Thank you for choosing us!

Our goal is to provide high quality outdoor furniture with outstanding customer service-all at an affordable price.

Please let us know how we are doing!

Problems?

(Missing pieces, wrong pieces...)

We will fix it immediately. Send us an email at

aftersaledirect@gmail.com.













Happy?

Please leave us a review!

You can make others happy too!

Care & Maintenance

Caution: You must read this before you proceed

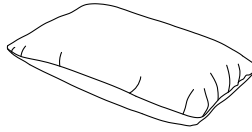
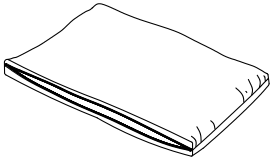
- ❌  ● Not for commercial use. For residential use only.
- ❌  ● Prolonged exposure to rain may cause rusting which can stain floors.
- ❌  ● Do not put hot items directly on furniture surface.
- ❌  ● Do not clean furniture with harsh cleansers or polish.
- ✓  ● To obtain the longest lifespan of your outdoor products, minimizing exposure to direct sunlight is recommended.
- ❌  ● Children should not climb or jump on the furniture.
- ❌  ● Do not write on furniture without a padded barrier to protect the surface.
- ✓  ● To obtain the longest lifespan of your outdoor products, avoid extended and lengthy exposure to rain, snow, and direct sunshine. Whenever possible cover the product and /or place under patio or awnings.
- ❌  ● Do not place the product in stone areas or areas that absorb too much sunlight.
- ❌  ● Stains may be removed with mild soap solution and damp cloth.
- ✓  ● Keep away from sources of ignition.
- ✓  ● High-pressure water guns must not be used for cleaning. Dust and pick-up spills using a clean, non-colored, lint-free cloth.



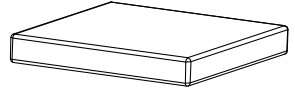
Tip: We recommend flattening the boxes to use as a protective work surface, or setting up your new furniture on a soft floor like a carpet.

How to Put on the Cushion Cover

1

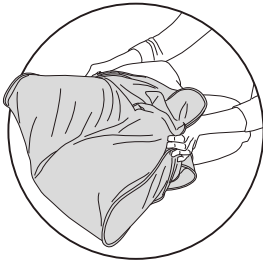


OR



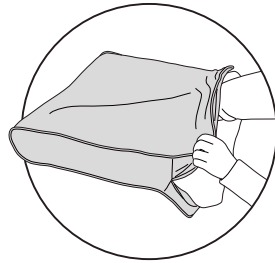
1. Take the cushion covers and inners out of the carton.

2



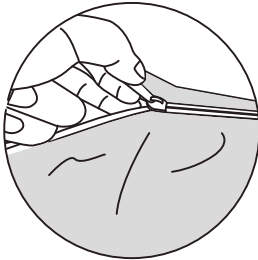
2. Fold the inner in half, pushing the sides together, then begin to slide the cover onto it.

3



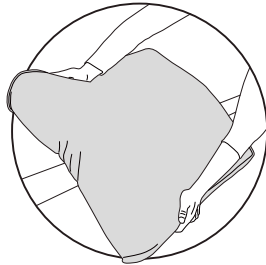
3. Align both far corners, then gently compress insert while fitting cover around it.

4



4. To avoid a stuck zipper, please pull the fabric away from the zipper before moving forward.

5



5. When all done, please pat the cushion or give it a little shake to make it more flat.

Care & Cleaning Guidelines

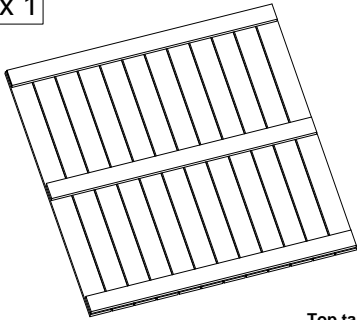
The covers are machine washable. Before washing, please zip the cover up to avoid catching other clothes. You can clean the dust on the chair / table / footstool with a damp cloth.

NOTE:

Vacuum compressed cushions,
Will return to normal shape after 5-7 days use.



A x 1



Top table

B x 2

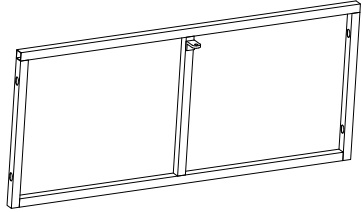


Table- Short Side panel

C x 2

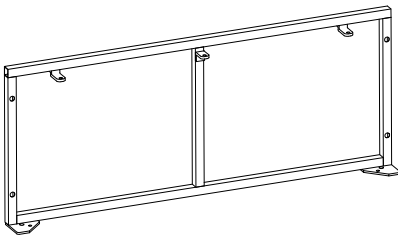
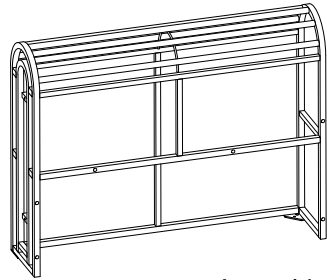


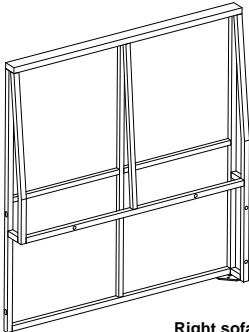
Table - Long Side panel

D x 1



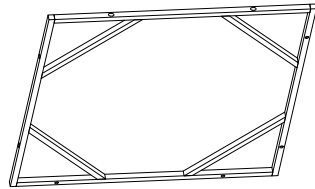
Armrest right sofa

E x 1



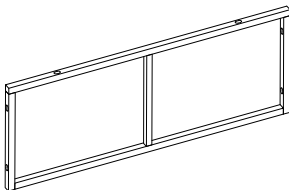
Right sofa-Backrest

F x 3



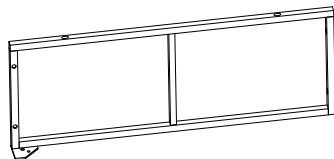
Seat Base- (Left, Right, Corner)

G x 7



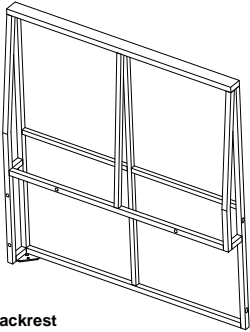
Short side panel (Mid,Left,Right Sofa)

H x 3



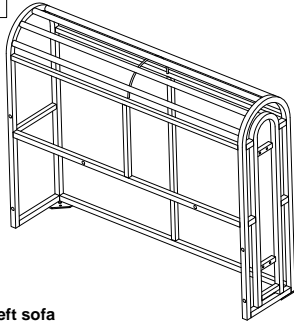
Side panel (Corner,Left,Right Sofa)

I x 1



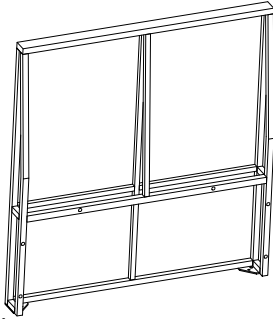
Left sofa - backrest

J x 1



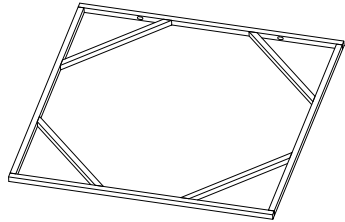
Armrest left sofa

K x 2



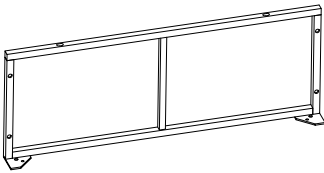
Middle Sofa - Backrest

L x 2



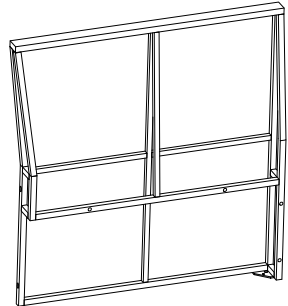
Middle Sofa - Seat Base

M x 2



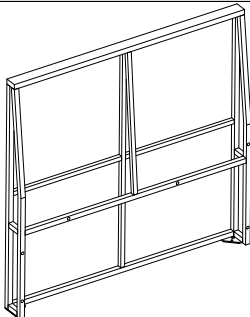
Mid Sofa - Front panel

N x 1



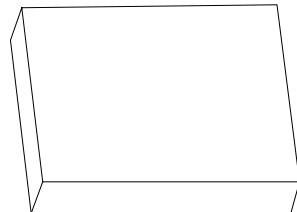
Corner sofa- backrest 1

O x 1



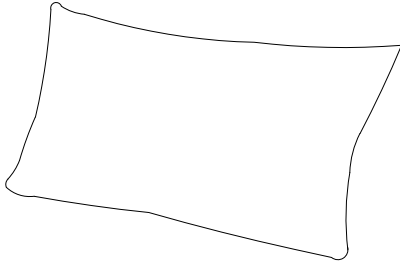
Corner sofa- backrest 2

P x 5



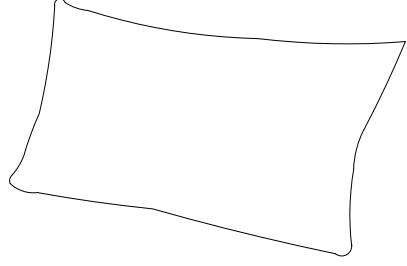
Seat cushion

Q x 5



Long back cushion

R x 1

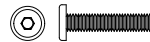


Short back cushion

1 x88
M6x1



2 x88
M6x35



3 x24
M6x15



4 x24
M6x50



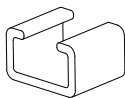
5 x8
4x15



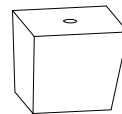
6 x2
4x60



7 x8

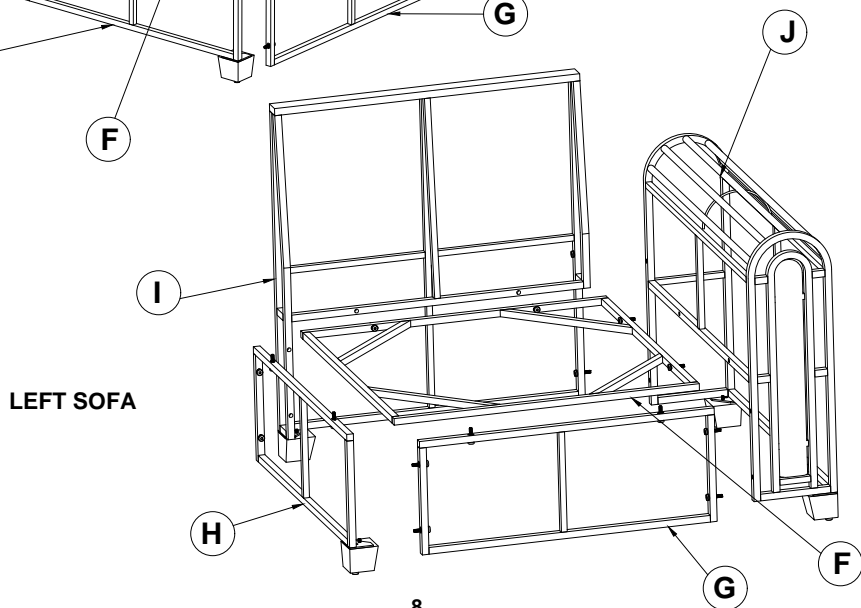
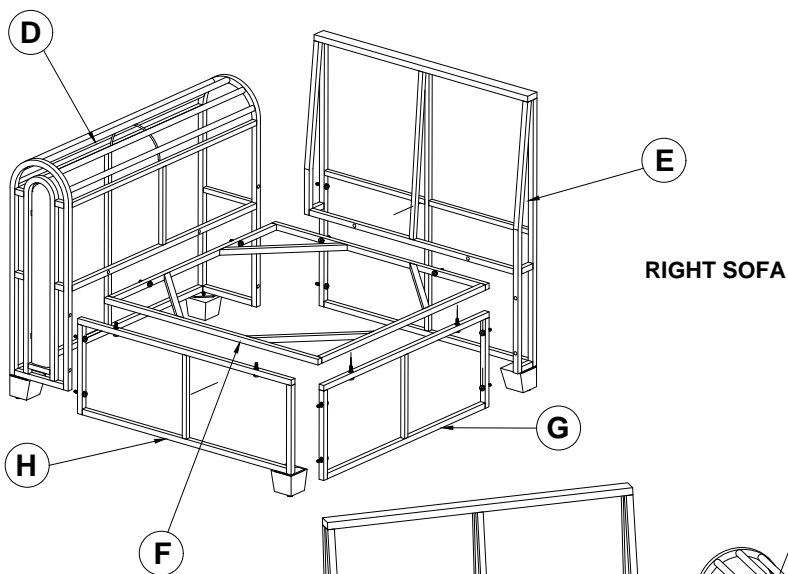
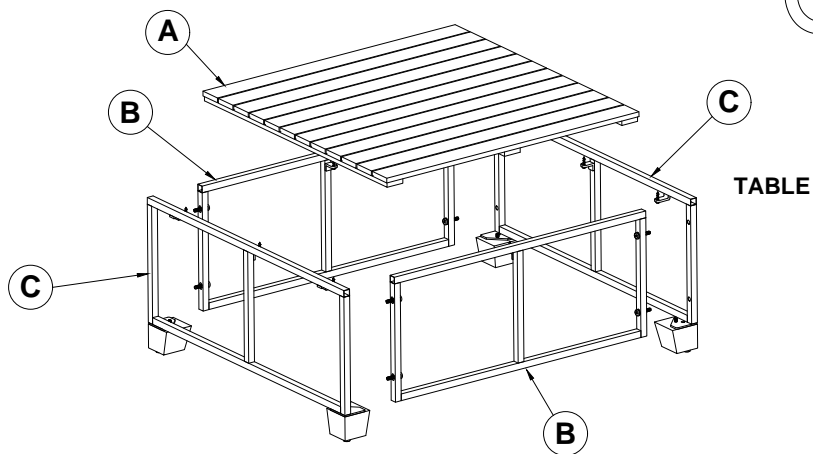


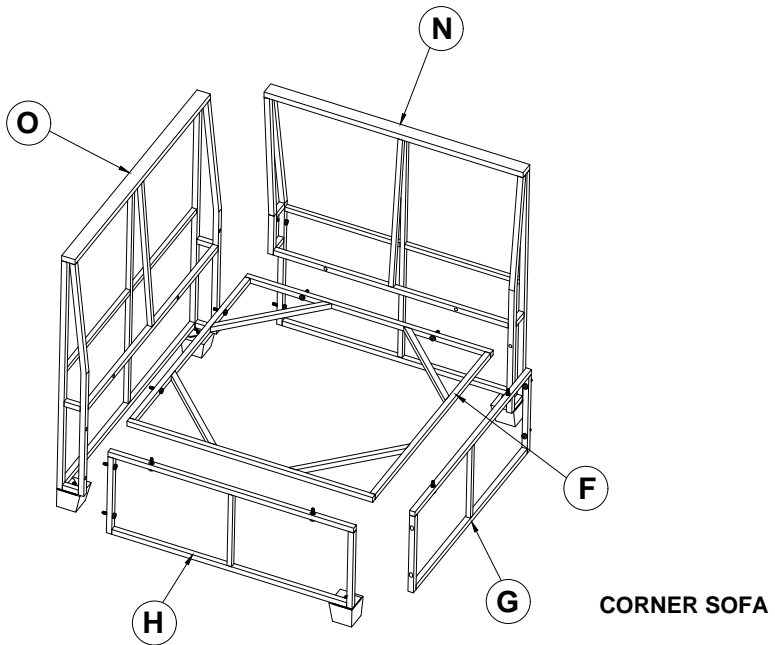
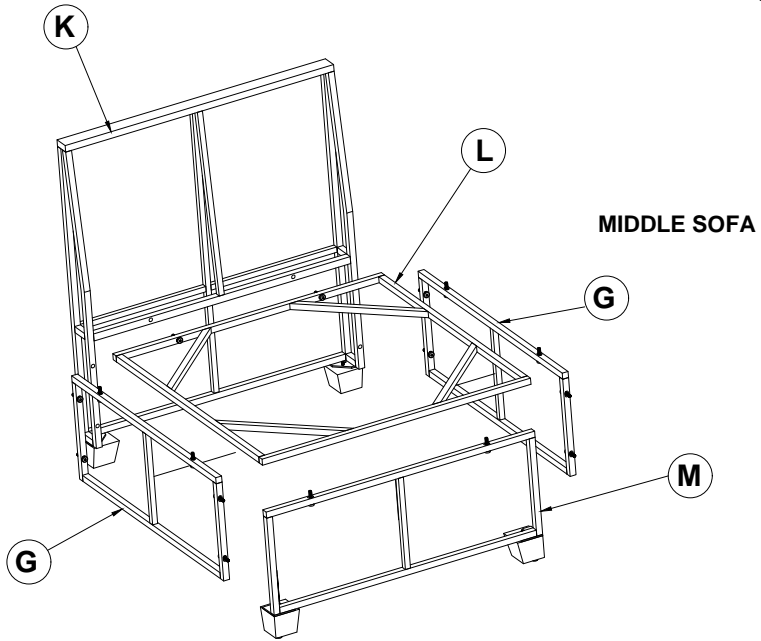
8 x24



ASSEMBLY INSTRUCTION

PARTS





1x08



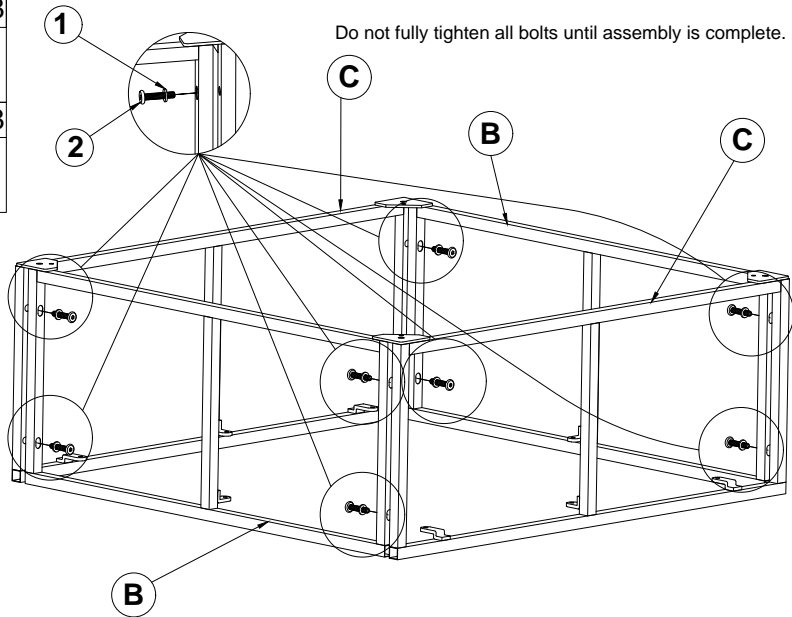
M6

2x08



M6x35

Do not fully tighten all bolts until assembly is complete.



Table

8x4

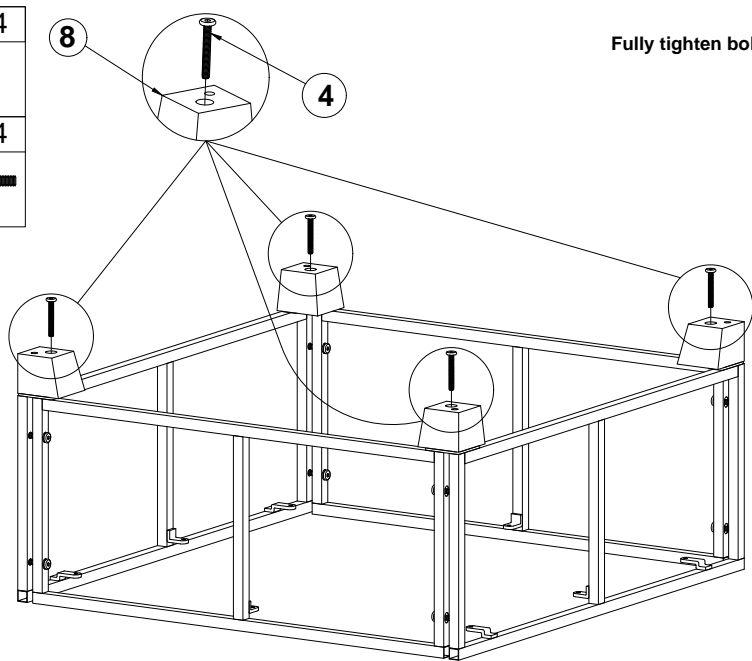


4x4



M6x50

Fully tighten bolts.



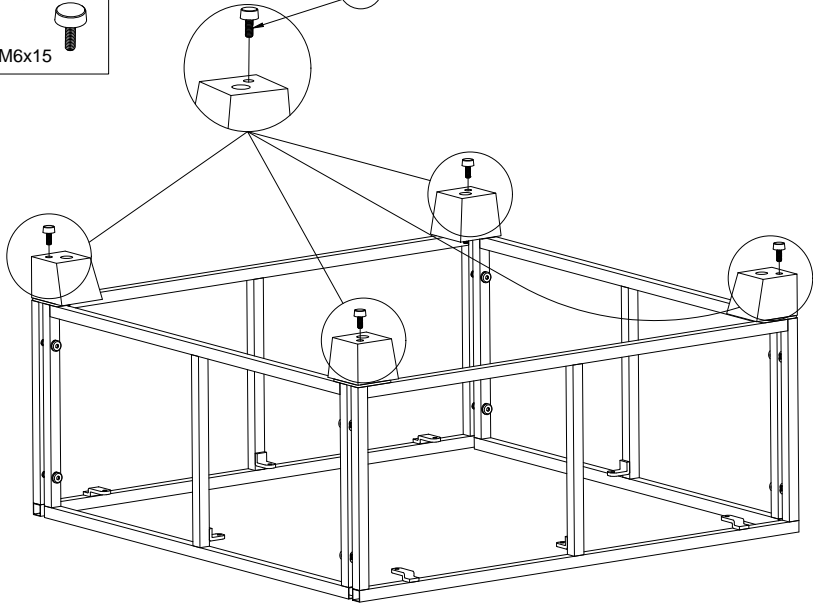
Table

3x04



M6x15

3



Table

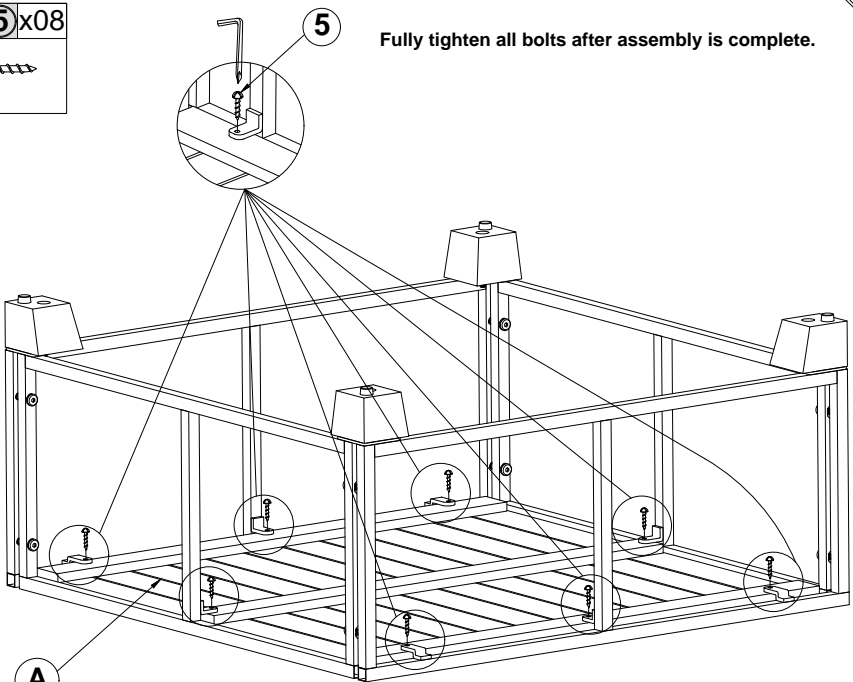
5x08



4x15

5

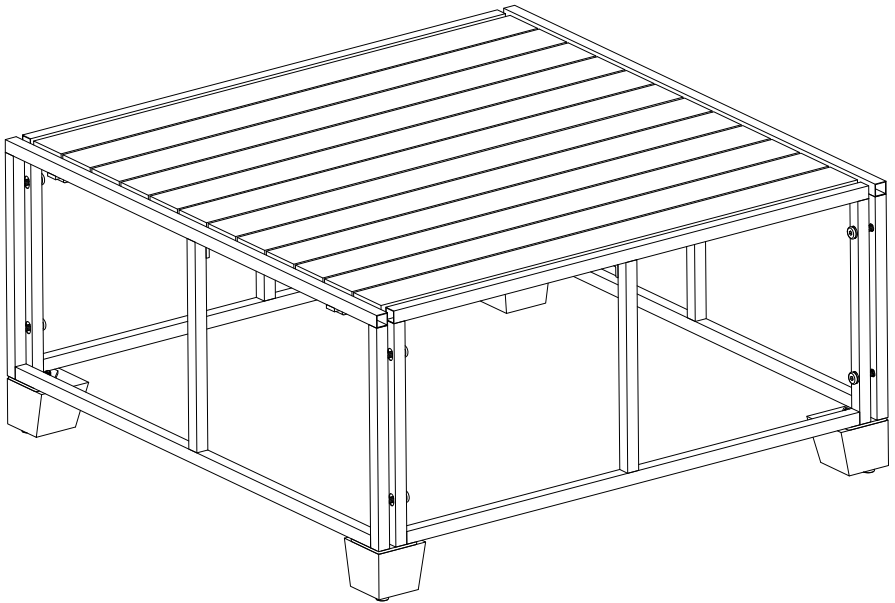
Fully tighten all bolts after assembly is complete.



Table

A

Fully tighten all bolts after assembly is complete.



Table

1x02



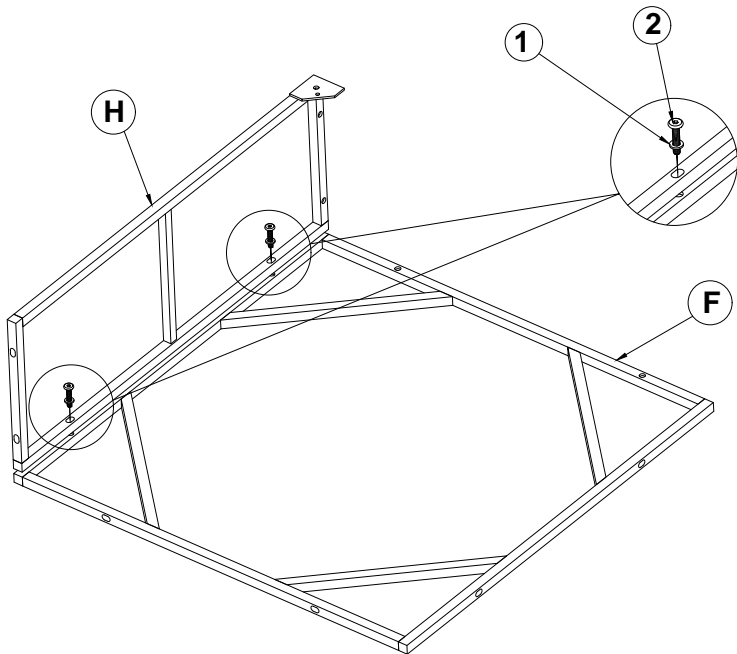
M6

2x02



M6x35

Do not fully tighten all bolts until assembly is complete.



RIGHT SOFA

1x04



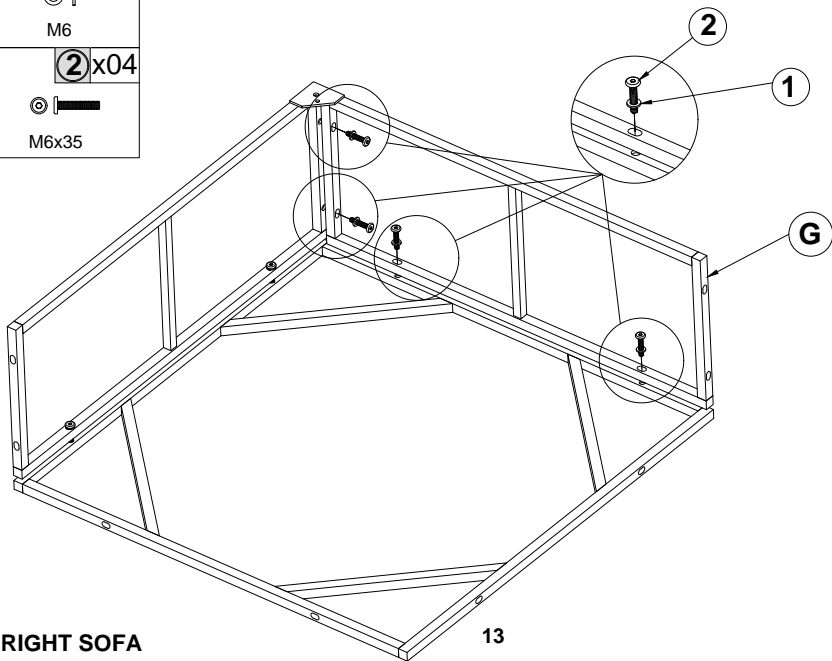
M6

2x04



M6x35

Do not fully tighten all bolts until assembly is complete.



RIGHT SOFA

1 x 04



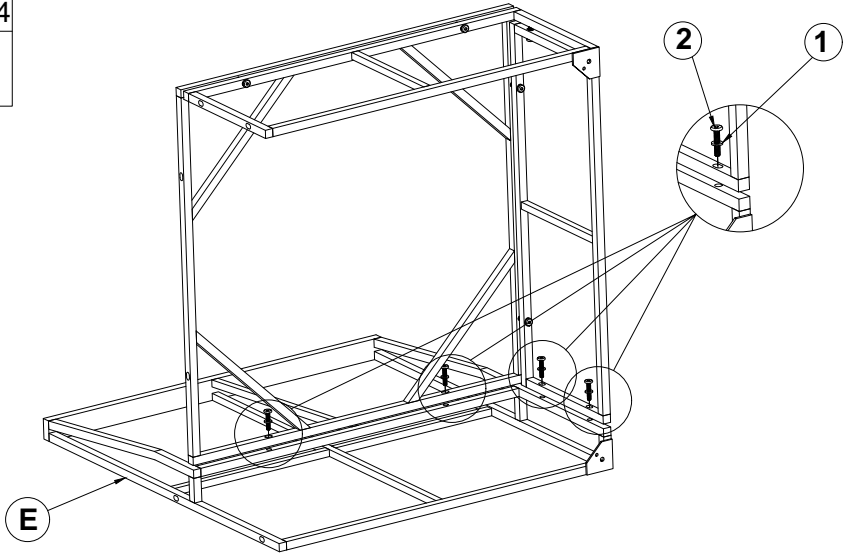
M6

2 x 04



M6x35

Do not fully tighten all bolts until assembly is complete.



RIGHT SOFA

1 x 06



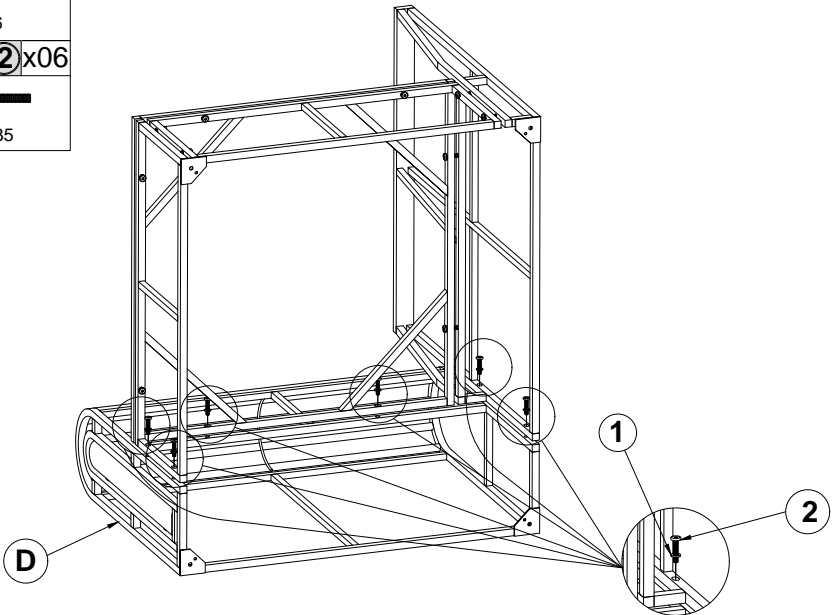
M6

2 x 06



M6x35

Do not fully tighten all bolts until assembly is complete.



RIGHT SOFA

Fully tighten bolts.

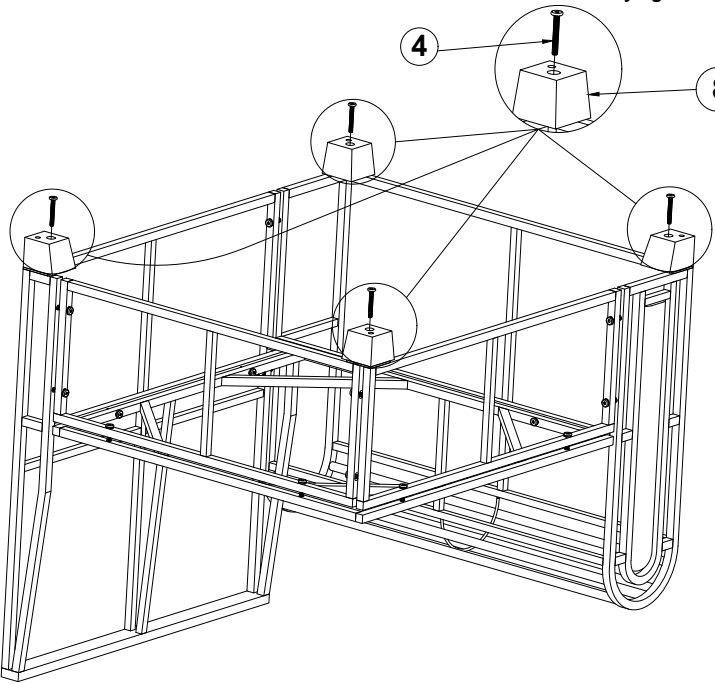
8x4



4x4



M6x50

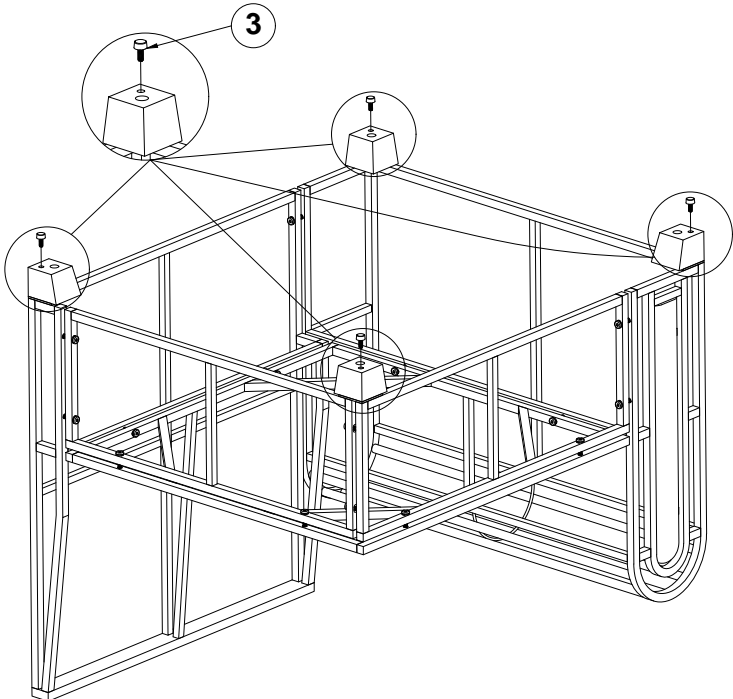


RIGHT SOFA

3x04

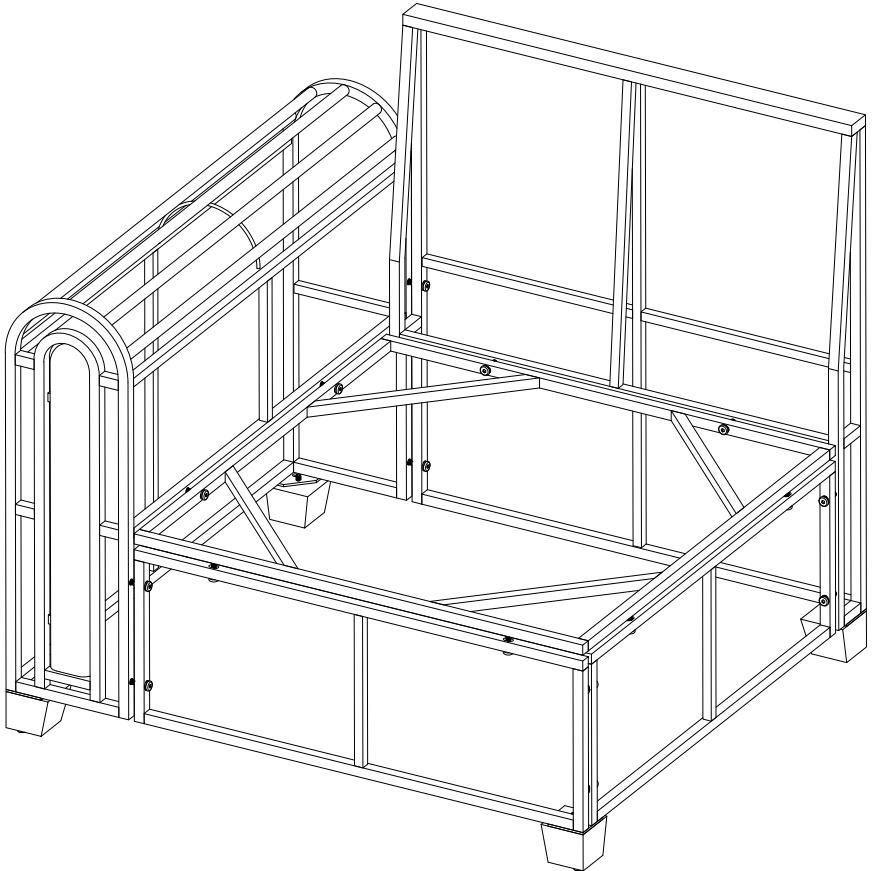


M6x15



RIGHT SOFA

Fully tighten all bolts after assembly is complete.



1 x 02



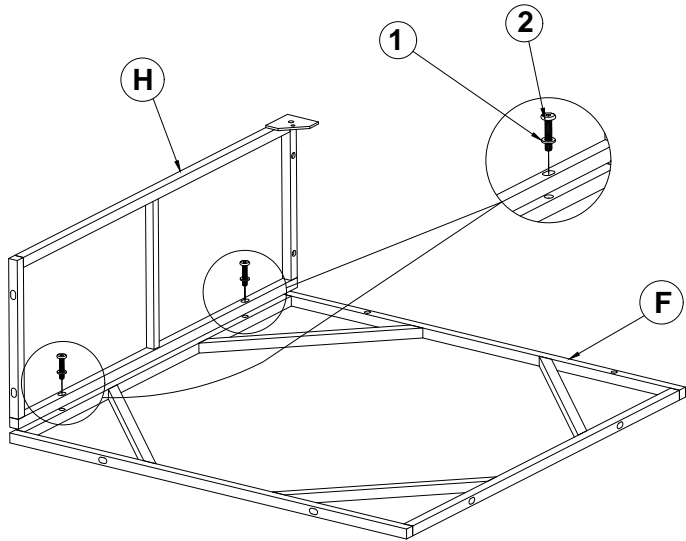
M6

2 x 02



M6x35

Do not fully tighten all bolts until assembly is complete.



LEFT SOFA

1 x 04



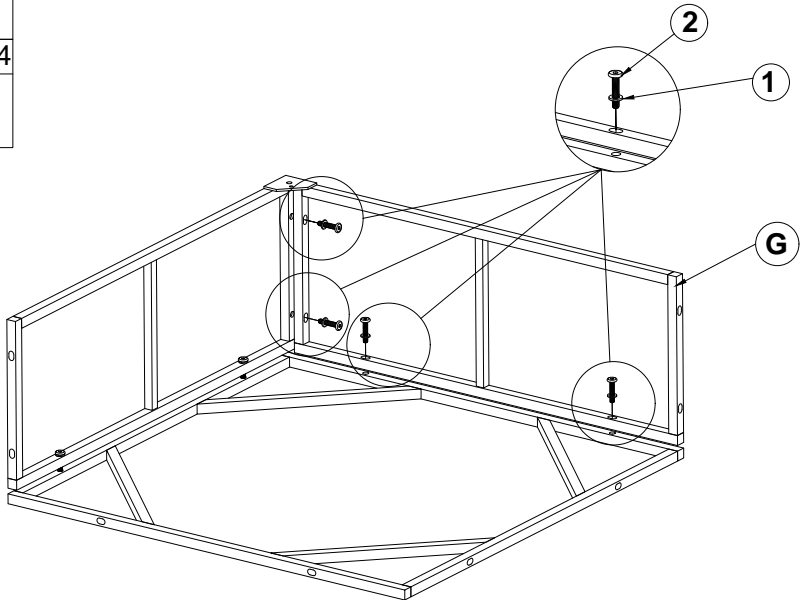
M6

2 x 04



M6x35

Do not fully tighten all bolts until assembly is complete.



LEFT SOFA

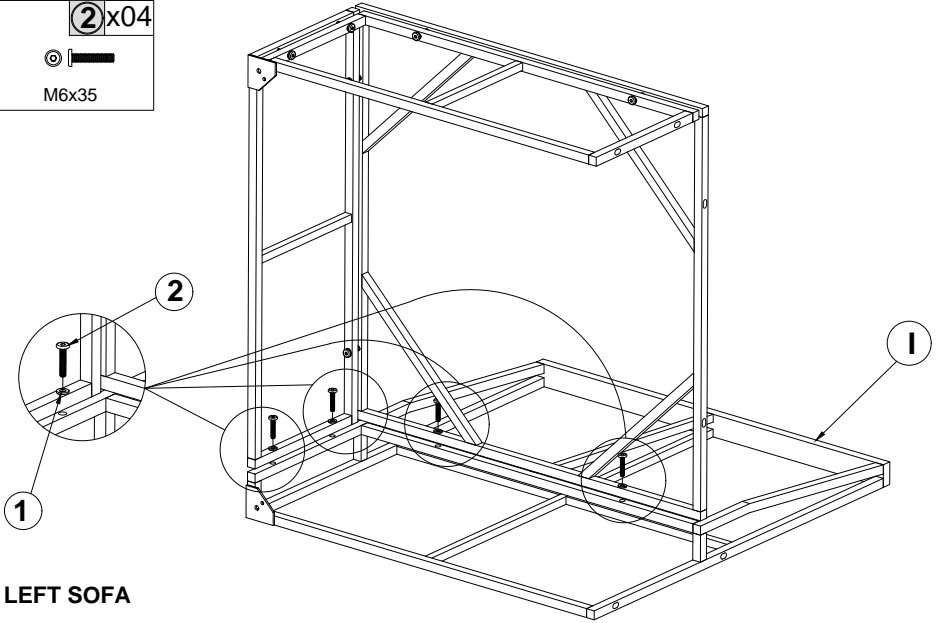
Do not fully tighten all bolts until assembly is complete.

①x04

○ |
M6

②x04

⊙ |
M6x35



LEFT SOFA

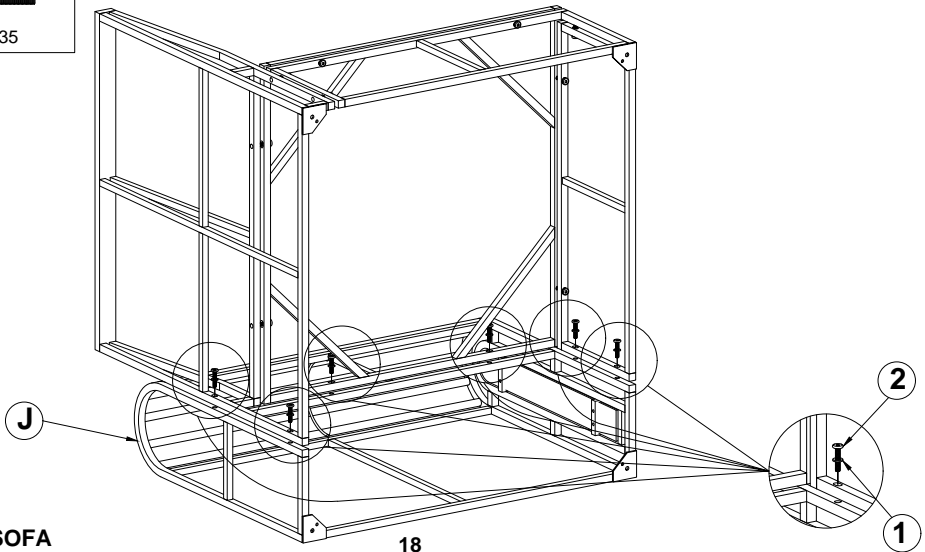
Do not fully tighten all bolts until assembly is complete.

①x06

○ |
M6

②x06

⊙ |
M6x35



LEFT SOFA

Fully tighten bolts.

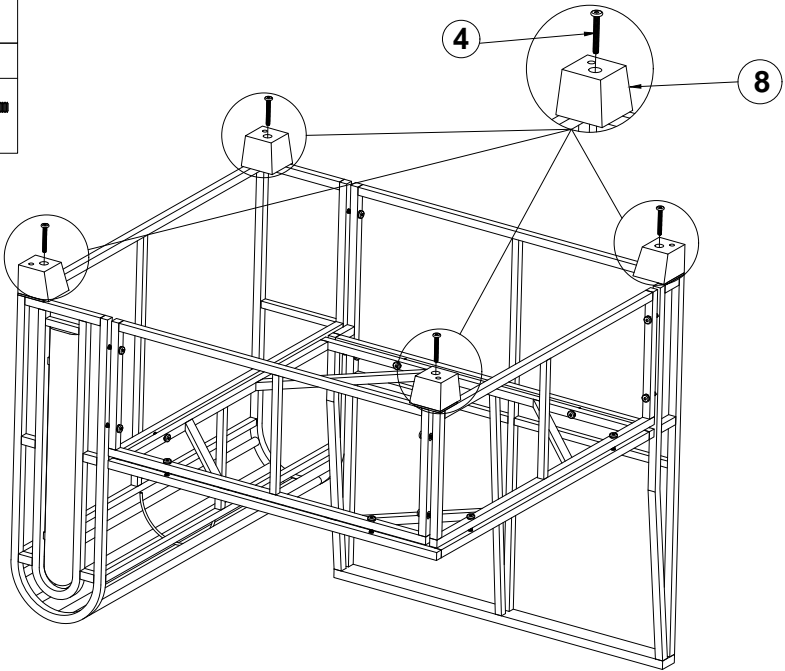
8 x4



4 x4



M6x50

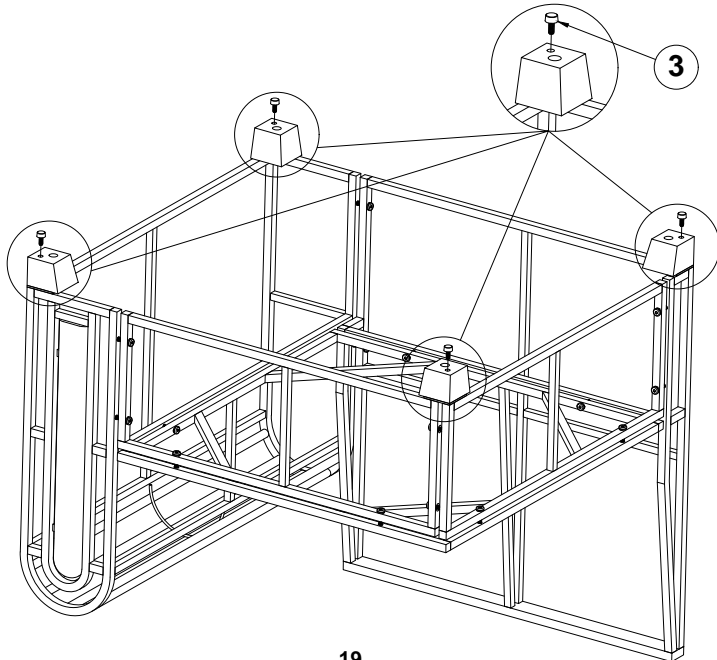


LEFT SOFA

3 x04

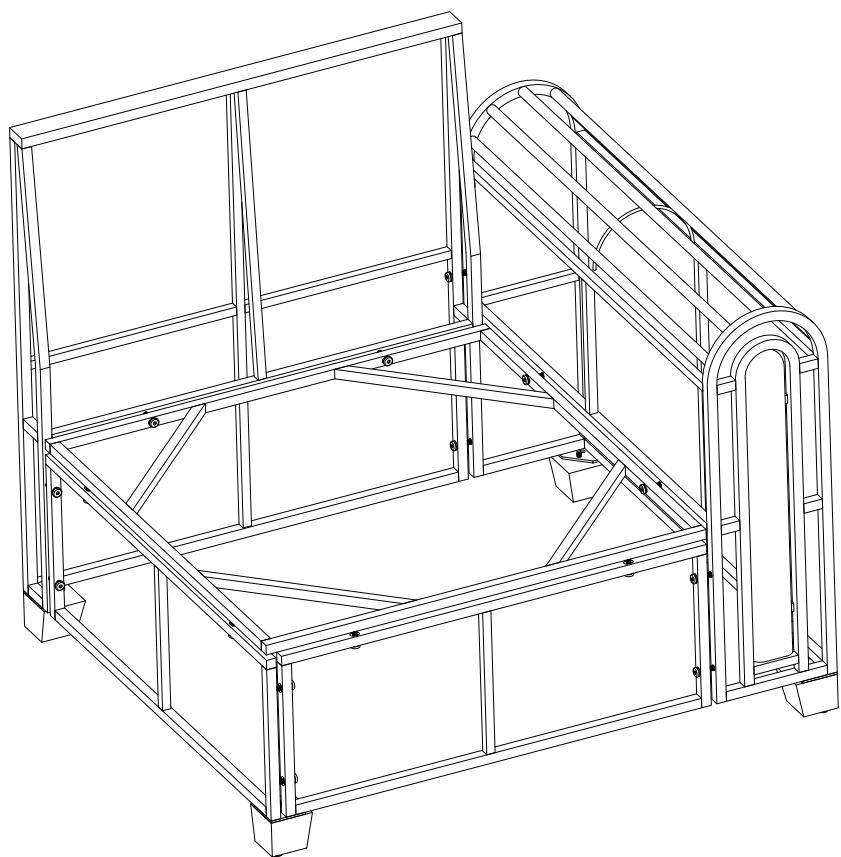


M6x15

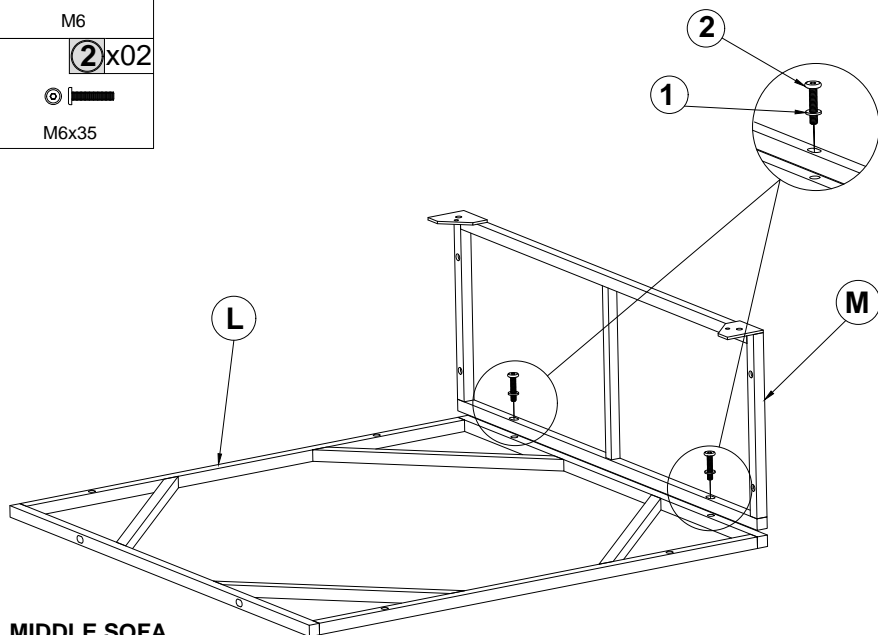
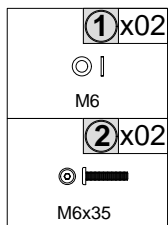


LEFT SOFA

Fully tighten all bolts after assembly is complete.

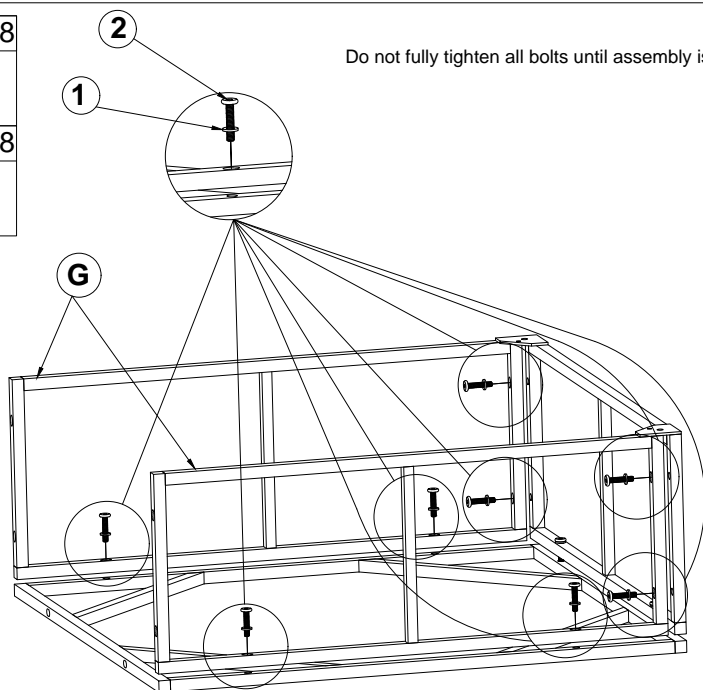
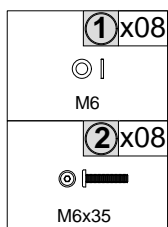


Do not fully tighten all bolts until assembly is complete.



MIDDLE SOFA

Do not fully tighten all bolts until assembly is complete.



MIDDLE SOFA

1 x 06



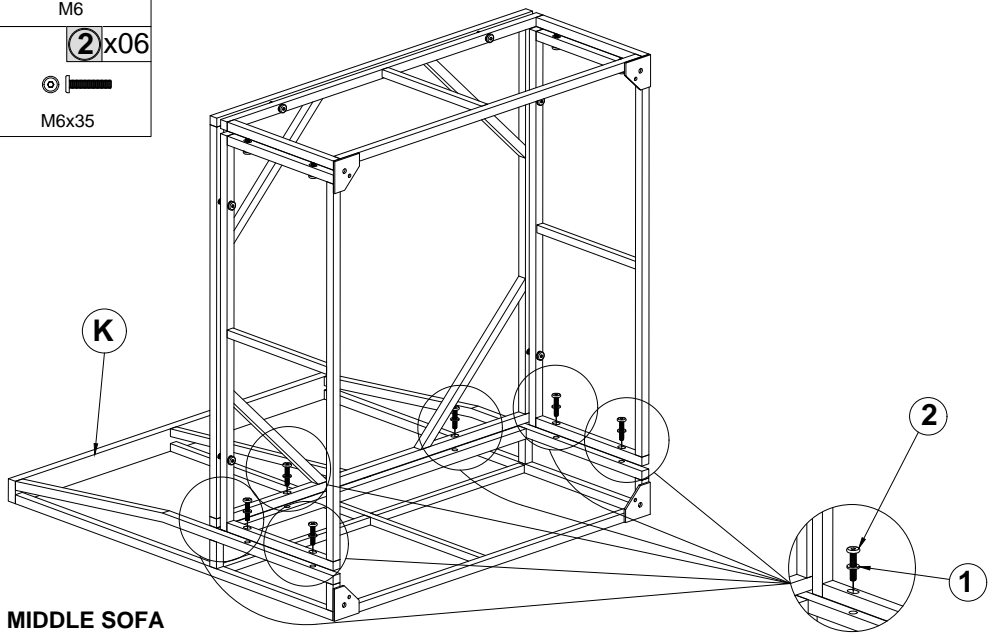
M6

2 x 06



M6x35

Do not fully tighten all bolts until assembly is complete.



MIDDLE SOFA

8 x 4

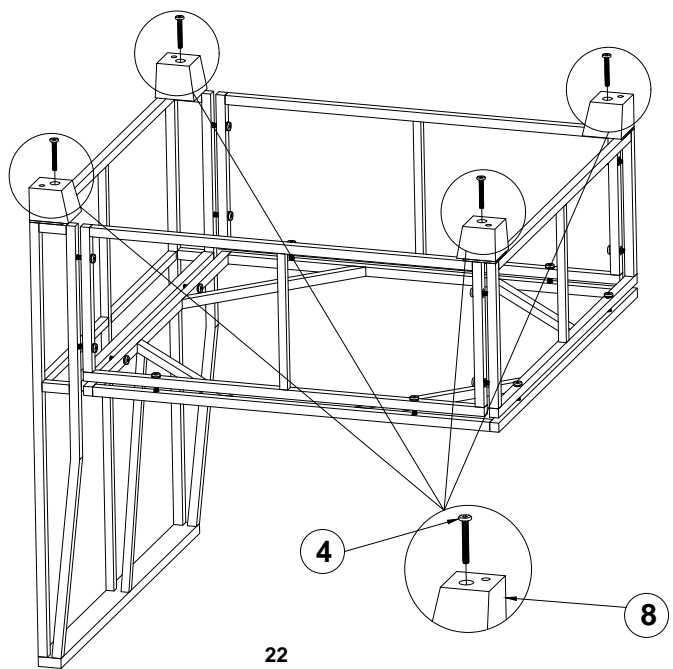


4 x 4



M6x50

Fully tighten bolts.

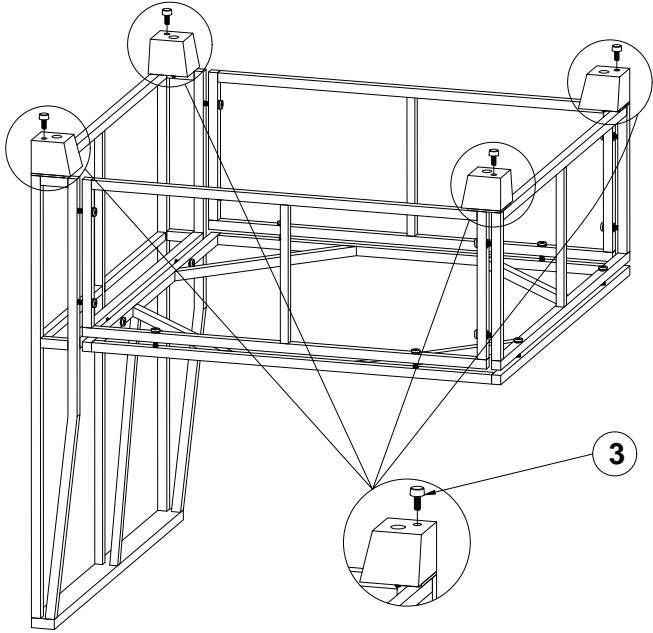


MIDDLE SOFA

3 x 04

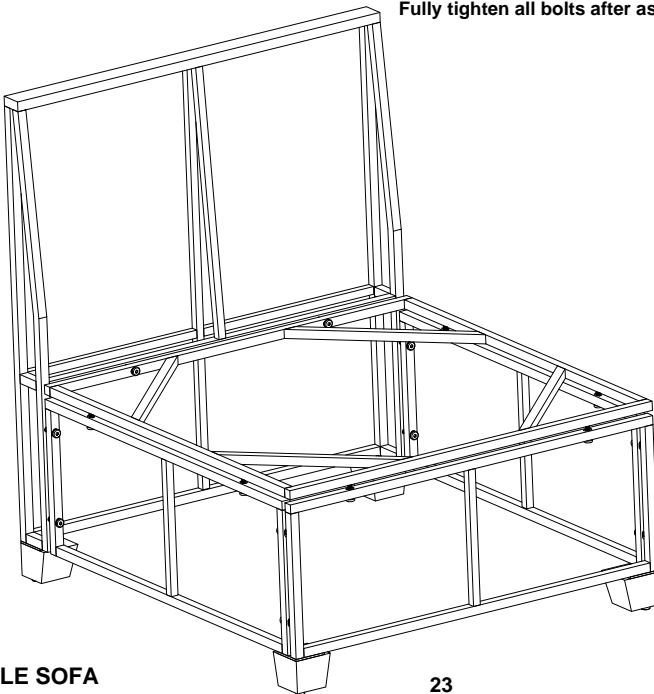


M6x15



MIDDLE SOFA

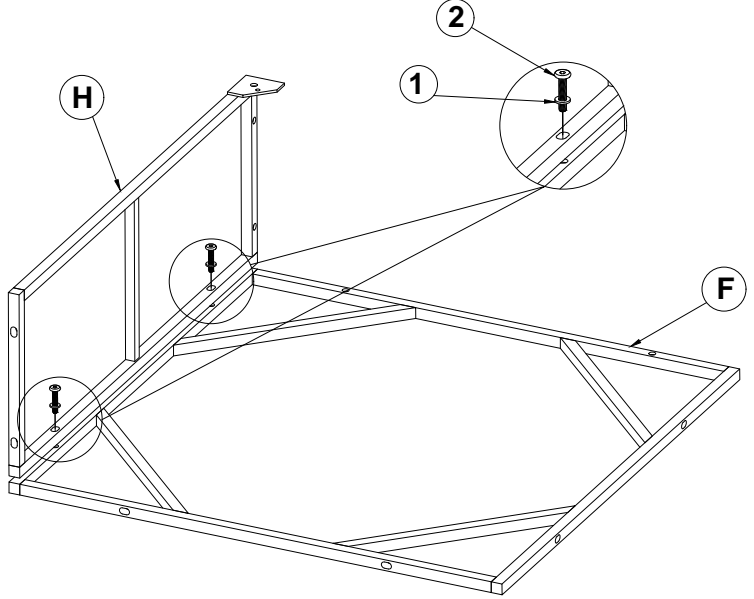
Fully tighten all bolts after assembly is complete.



MIDDLE SOFA

Do not fully tighten all bolts until assembly is complete.

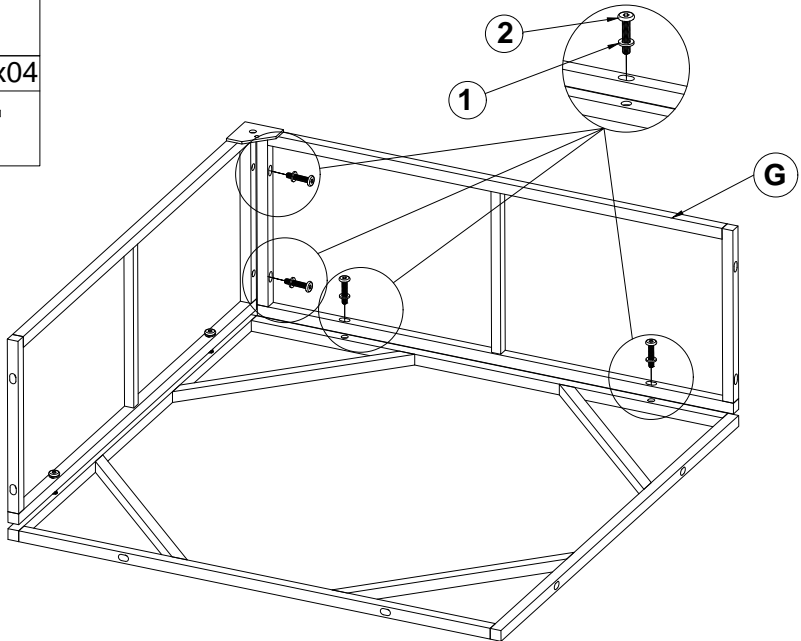
- 1**x02
- |
- M6
- 2**x02
- ⊗ |
- M6x35



CORNER SOFA

Do not fully tighten all bolts until assembly is complete.

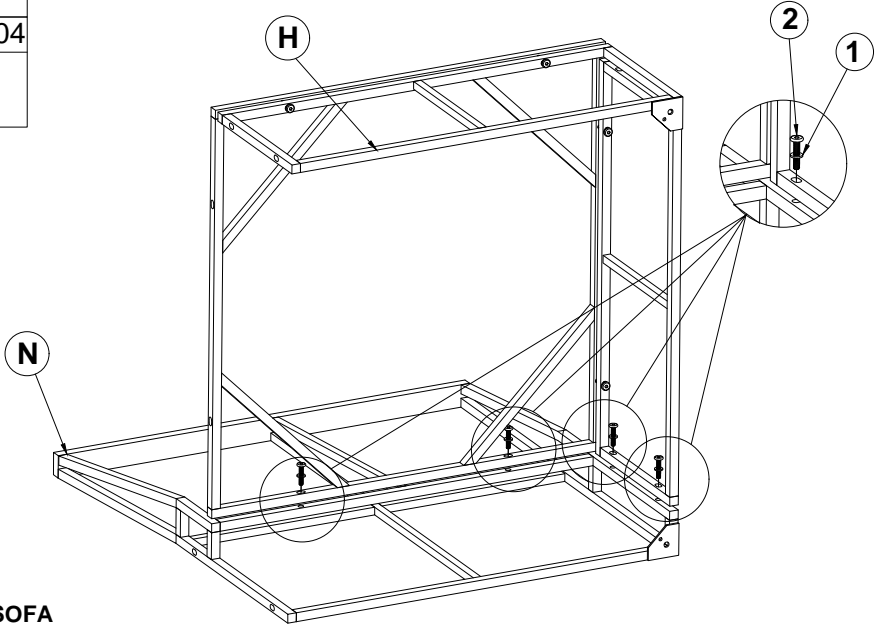
- 1**x04
- |
- M6
- 2**x04
- ⊗ |
- M6x35



CORNER SOFA

Do not fully tighten all bolts until assembly is complete.

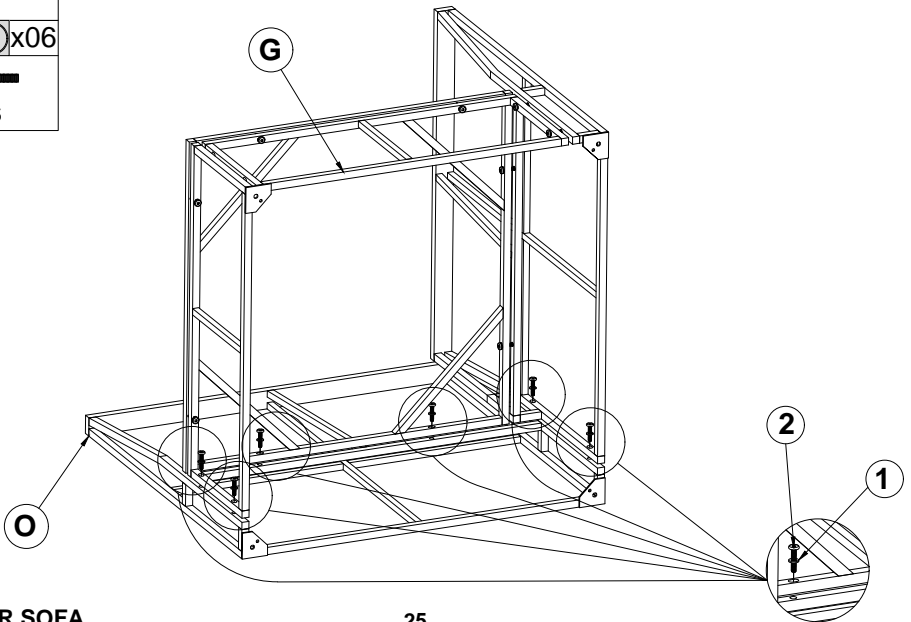
- 1**x04
○ |
- M6
- 2**x04
⊙ |
- M6x35



CORNER SOFA

Do not fully tighten all bolts until assembly is complete.

- 1**x06
○ |
- M6
- 2**x06
⊙ |
- M6x35



CORNER SOFA

Fully tighten bolts.

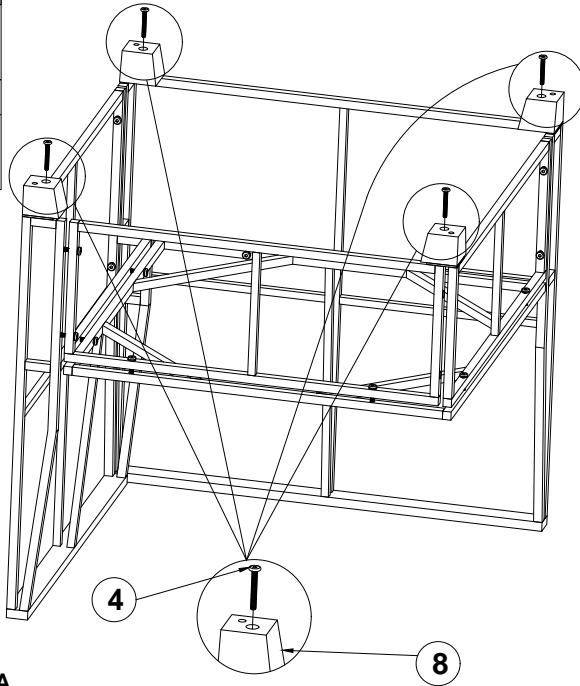
8x4



4x4



M6x50

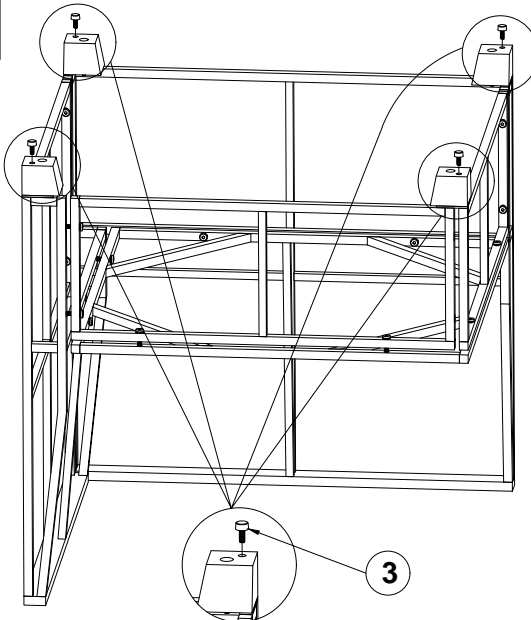


CORNER SOFA

3x04



M6x15



CORNER SOFA

Fully tighten all bolts after assembly is complete.

