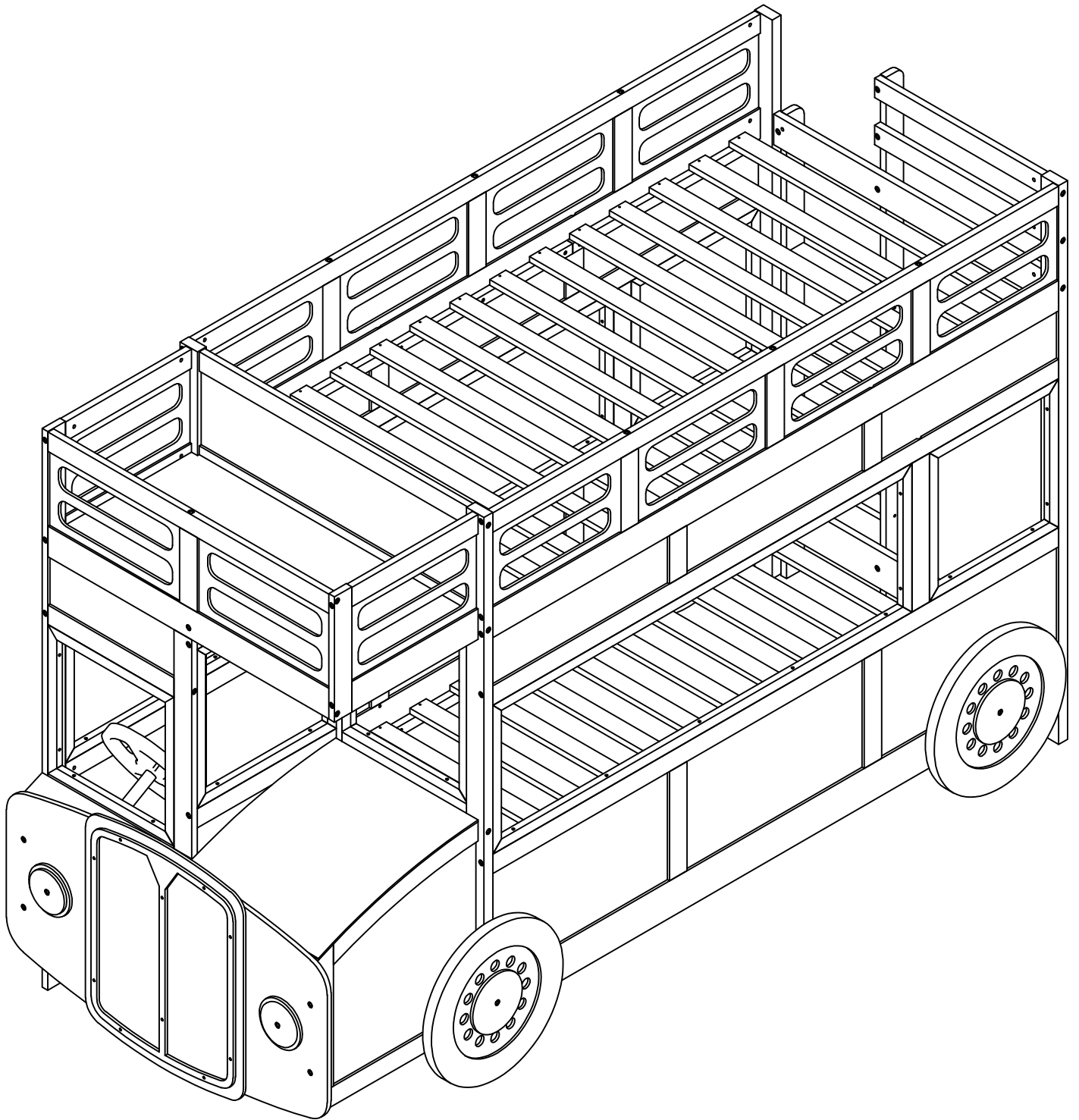


ASSEMBLY INSTRUCTION
SKU CODE: (WF322258-322259-322260)



! SAFETY WARNINGS !

1. This bed is designed for use only mattress (es) meeting the following specifications on the upper bunk and lower bunk

Upper bed

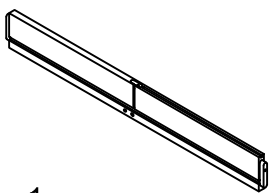

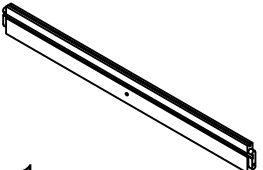

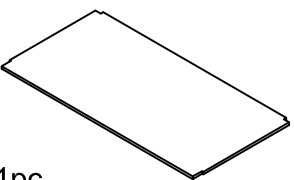
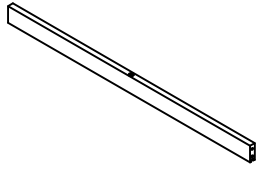
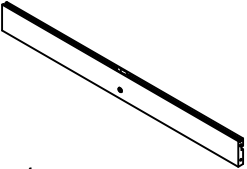
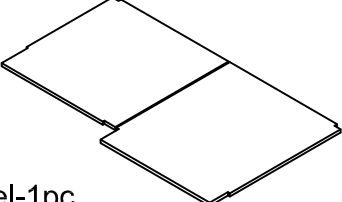
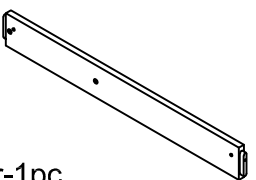
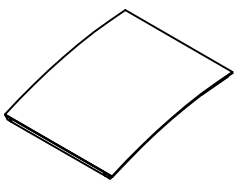
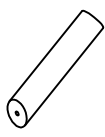
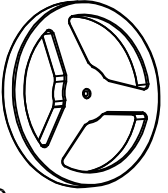
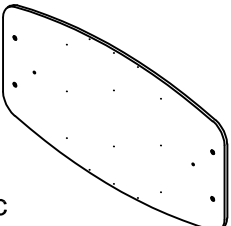
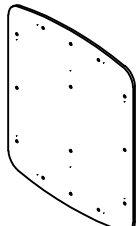
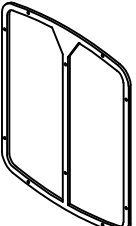
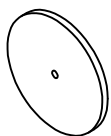

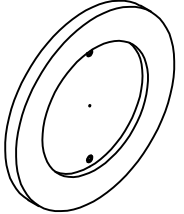
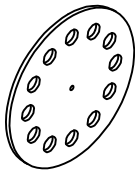

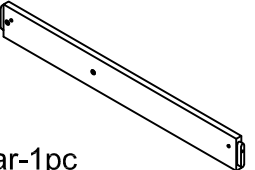
Bed Type	Length	Width	Thickness
Twin Standard	74" - 75"	38 1/2"	6" max

Lower bed





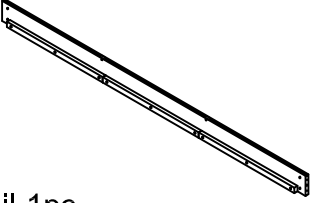
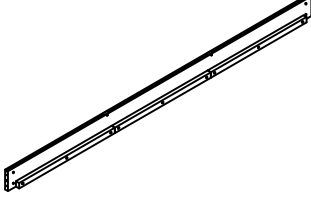
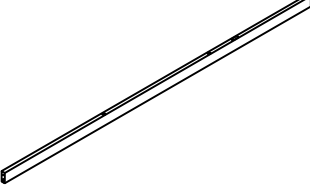
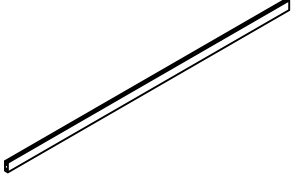

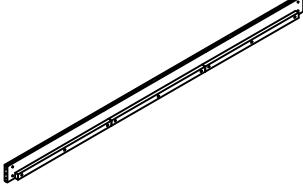
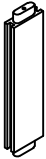
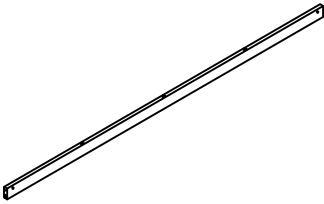
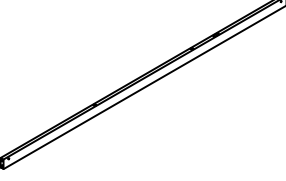
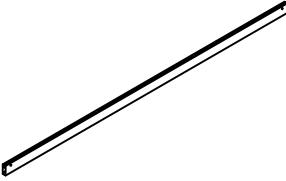


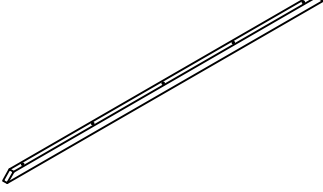


Bed Type	Length	Width	Thickness
Twin Standard	74" - 75"	38 1/2"	8" max

2. Replacement parts, including additional guardrails, maybe obtained from any of our (GIGACLOUD TECHNOLOGY (USA) INC. 18961 ARENTH AVENUE CITY OF INDUSTRY, CA, 91748) dealers
3. Follow the information on the warnings appearing on the upper bunk bed end structure and on the carton. Do not remove warning label from bed
4. Always use the recommended size mattresses or mattress supports, or both, to help prevent the likelihood of entrapment or falls.
5. Surface of mattress must be at least 5" (127mm) below the upper edge of guardrails
6. Do not allow children under 6 years of age to use the upper bunk.
7. Periodically check and ensure that the guardrail, ladder, and other components are in their proper position, free from damage, and that all connectors are tight.
8. Do not allow horseplay on or under the bed and prohibit jumping on the bed.
9. Always use the ladder for entering and leaving the upper bunk.
10. Do not use substitute part. Contact the manufacture or dealer for replacement part
11. Use of a night light may provide added safety precaution for a child using the upper bunk..
12. Always use guardrails on both long sides of the upper bunk. If the bunk bed will be placed next to the wall, the guardrail that runs the full length of the bed should be placed against the wall to prevent entrapment between the bed and wall.
13. The use of water or sleep flotation mattresses is prohibited
14. **STRANGULATION HAZARD** - Never attach or hang items to any part of the bunk bed that are not designed for use with the bed; for example, but not limited to, hook, belts and jump ropes
15. Keep these instruction for future reference
16. Prohibit more than one person on upper bunk
17. We recommend assembling your bunk bed on the shipping carton to protect your floor or carpet
18. Be certain all staples are out of the box before beginning assembly on the shipping carton.

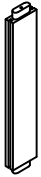
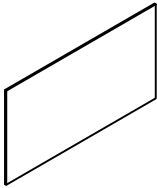

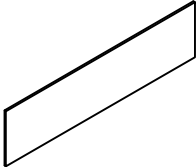
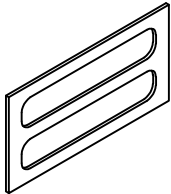
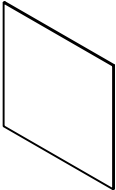
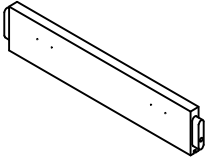
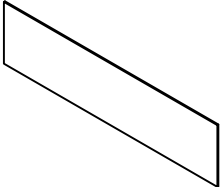
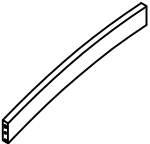

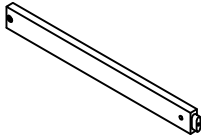
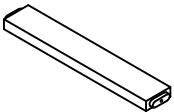
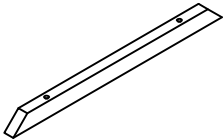
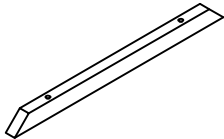

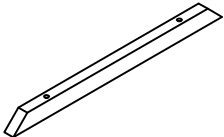

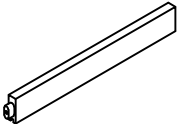
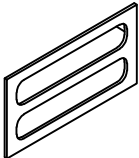
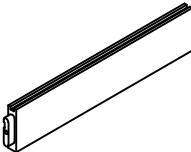

Part List & Hardware List (Box1-WF322258)

<p>C2</p>  <p>WoodBar-1pc</p>	<p>C5</p>  <p>WoodBar-1pc</p>	<p>C6</p>  <p>WoodBar-1pc</p>
<p>C8</p>  <p>WoodBar-1pc</p>	<p>F6</p>  <p>Panel-1pc</p>	<p>F7</p>  <p>WoodBar-1pc</p>
<p>G1</p>  <p>WoodBar-1pc</p>	<p>G7</p>  <p>Panel-1pc</p>	<p>D1</p>  <p>WoodBar-1pc</p>
<p>H7</p>  <p>Panel-1pc</p>	<p>H8</p>  <p>WoodBar-1pc</p>	<p>H9</p>  <p>WoodBar-1pc</p>
<p>I3</p>  <p>Panel-1pc</p>	<p>I4</p>  <p>Panel-1pc</p>	<p>I5</p>  <p>Panel-1pc</p>
<p>I6</p>  <p>Panel-2pcs</p>	<p>I7</p>  <p>Panel-2pcs</p>	<p>I8</p>  <p>Panel-4pcs</p>
<p>I9</p>  <p>Panel-4pcs</p>	<p>J1</p>  <p>Panel-4pcs</p>	<p>C9</p>  <p>WoodBar-1pc</p>

Part List (Box2-WF322259)

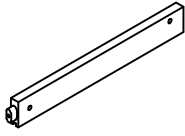
<p>A1</p>  <p>Leg-1pc</p>	<p>A2</p>  <p>Leg-1pc</p>	<p>A3</p>  <p>Leg-1pc</p>
<p>A4</p>  <p>Leg-1pc</p>	<p>A5</p>  <p>Side Rail-1pc</p>	<p>A6</p>  <p>Side Rail-1pc</p>
<p>A9</p>  <p>WoodBar-1pc</p>	<p>B2</p>  <p>WoodBar-1pc</p>	<p>B3</p>  <p>WoodBar-4pcs</p>
<p>B5</p>  <p>Side Rail-2pcs</p>	<p>B6</p>  <p>WoodBar-6pcs</p>	<p>B8</p>  <p>WoodBar-2pcs</p>
<p>B9</p>  <p>WoodBar-1pc</p>	<p>C1</p>  <p>WoodBar-1pc</p>	<p>D3</p>  <p>WoodBar-1pc</p>
<p>D4</p>  <p>WoodBar-1pc</p>	<p>D6</p>  <p>WoodBar-4pc</p>	<p>F5</p>  <p>Leg-1pc</p>
<p>G8</p>  <p>WoodBar-1pc</p>		

Part List (Box3-WF322260)

<p>A7</p>  <p>WoodBar-4pcs</p>	<p>A8</p>  <p>Panel-6pcs</p>	<p>B1</p>  <p>WoodBar-2pcs</p>
<p>B4</p>  <p>Panel-6pcs</p>	<p>B7</p>  <p>Panel-8pcs</p>	<p>C3</p>  <p>Panel-1pc</p>
<p>C4</p>  <p>WoodBar-1pc</p>	<p>C7</p>  <p>Panel-1pc</p>	<p>H5</p>  <p>WoodBar-1pc</p>
<p>H6</p>  <p>WoodBar-1pc</p>	<p>D2</p>  <p>WoodBar-2pcs</p>	<p>D5</p>  <p>WoodBar-4pcs</p>
<p>D7</p>  <p>WoodBar-16pcs</p>	<p>D8</p>  <p>WoodBar-6pcs</p>	<p>D9</p>  <p>WoodBar-2pcs</p>
<p>E1</p>  <p>WoodBar-2pcs</p>	<p>E2</p>  <p>WoodBar-2pcs</p>	<p>E3</p>  <p>WoodBar-1pc</p>
<p>E4</p>  <p>Panel-2pcs</p>	<p>E5</p>  <p>WoodBar-1pc</p>	<p>E6</p>  <p>WoodBar-1pc</p>

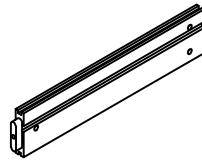
Part List (Box3-WF322260)

E7



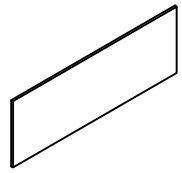
WoodBar-1pc

E8



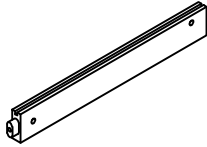
WoodBar-1pc

E9



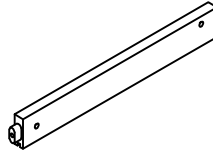
Panel-2pcs

F1



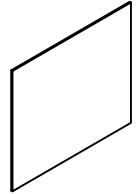
WoodBar-1pc

F2



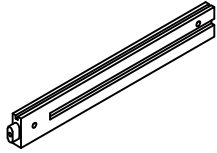
WoodBar-1pc

F3



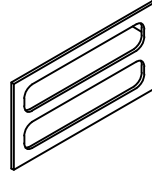
Panel-1pc

F4



WoodBar-1pc

F8



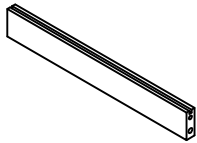
Panel-2pcs

F9



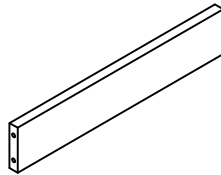
WoodBar-1pc

G2



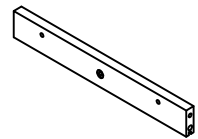
WoodBar-1pc

G3



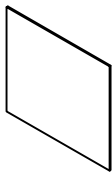
WoodBar-1pc

G4



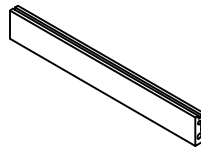
WoodBar-1pc

G5



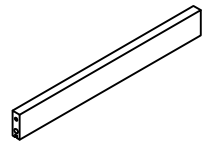
Panel-1pc

G6



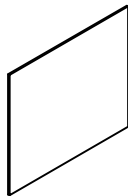
WoodBar-1pc

G9



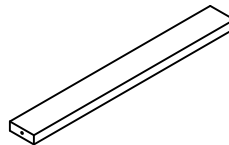
WoodBar-1pc

H1



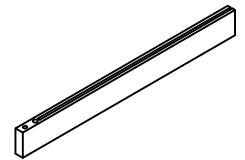
Panel-1pc

H2



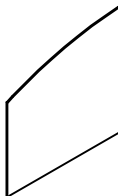
WoodBar-1pc

H3



WoodBar-1pc

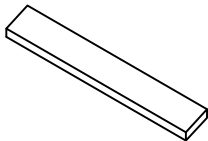
H4



Panel-1pc

Part List (Box3-WF322260)

I1



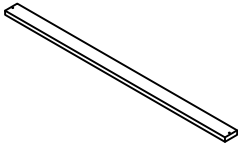
WoodBar-1pc

I2



WoodBar-1pc

J2



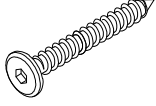
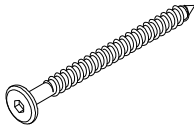
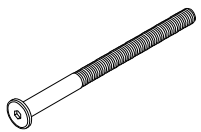
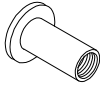
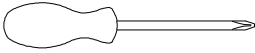
Slats-28pcs

J3



WoodBar-1pc

Hardware List (Box 1-WF322258)

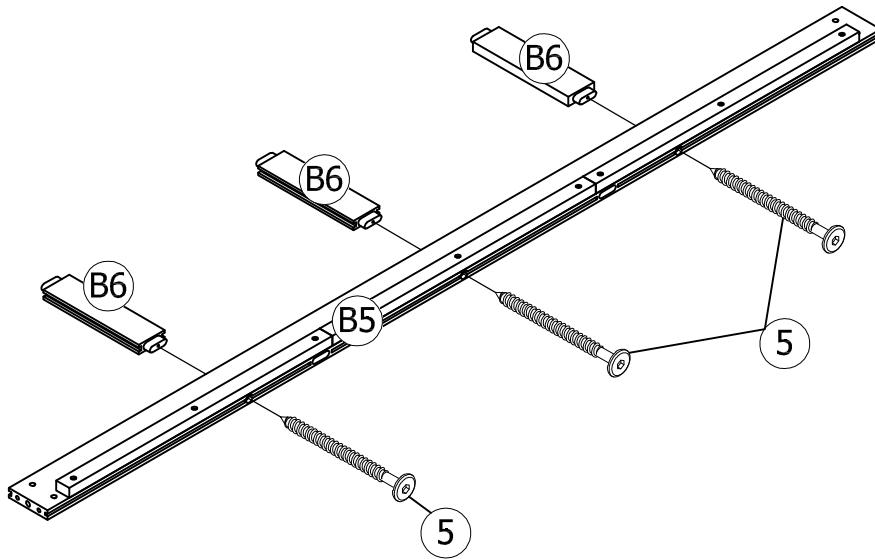
<p>1</p>  <p>Screws 1/4" x30 20pcs</p>	<p>2</p>  <p>Screws 1/4" x40 17pcs</p>	<p>3</p>  <p>Screws 1/4" x70 20pcs</p>
<p>4</p>  <p>Screws 1/4" x80 2pcs</p>	<p>5</p>  <p>Screws 1/4" x100 10pcs</p>	<p>6</p>  <p>Ø1/4" x 20 mm Hex-Head bolts 2pcs</p>
<p>7</p>  <p>Ø1/4" x 70 mm Hex-Head bolts 24pcs</p>	<p>8</p>  <p>Ø1/4" x 80 mm Hex-Head bolts 28pcs</p>	<p>9</p>  <p>Ø1/4" x 100 mm Hex-Head bolts 26pcs</p>
<p>10</p>  <p>Ø1/4" x 13 mm Horizontal-Hole bolts 78pcs</p>	<p>11</p>  <p>Ø1/4" x 15 mm T-Nut 2pcs</p>	<p>12</p>  <p>Ø10 x 40 mm Wood dowel 44pcs</p>
<p>13</p>  <p>M3 x 15 mm Wood Screws 6pcs</p>	<p>14</p>  <p>M4 x 15 mm Wood Screws 32pcs</p>	<p>15</p>  <p>M4 x 30 mm Wood Screws 56pcs</p>
<p>16</p>  <p>M4 x 40 mm Wood Screws 76pcs</p>	<p>17</p>  <p>Folding door strut 1pc</p>	<p>18</p>  <p>Ø8 x 25 mm Wood dowel 1pc</p>
<p>19</p>  <p>Allen Key 2pcs</p>	 <p>Assembly Tools Required (Not Included)</p>	

STEP1: Following below illustration.

5



3(pcs)

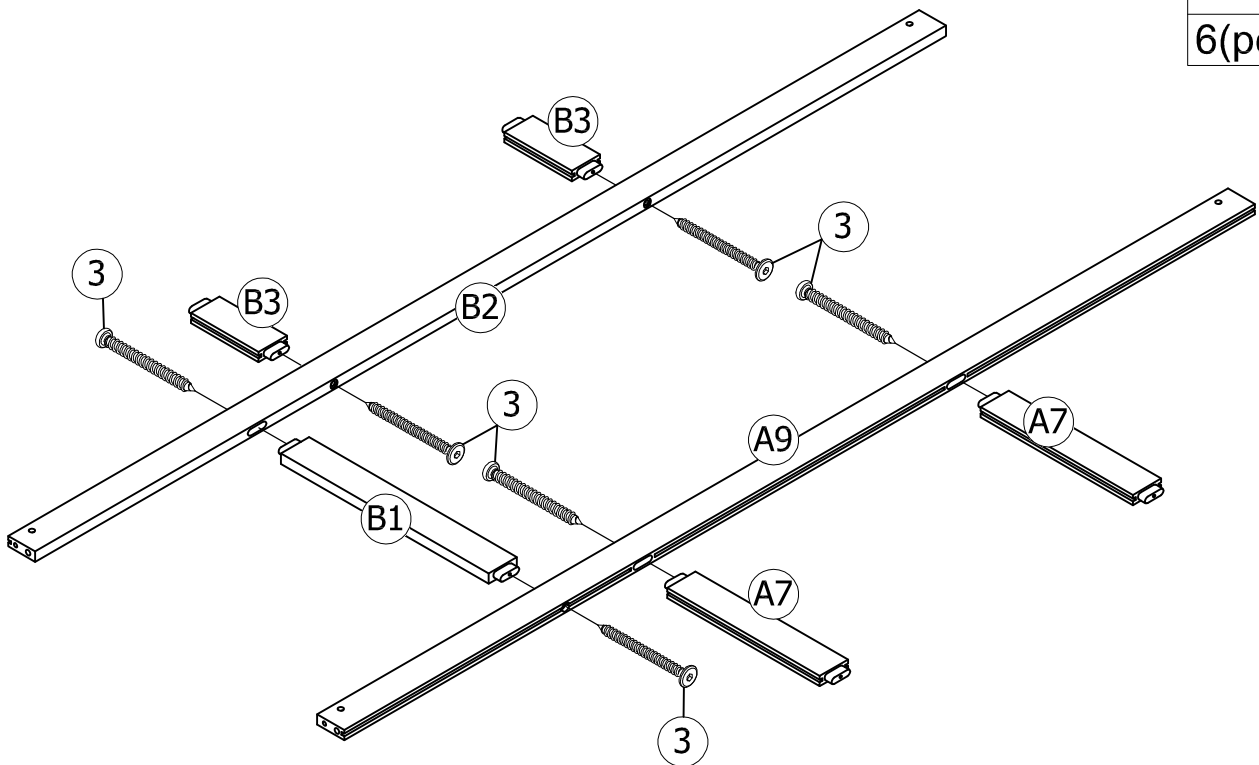


STEP2: Following below illustration.

3



6(pcs)

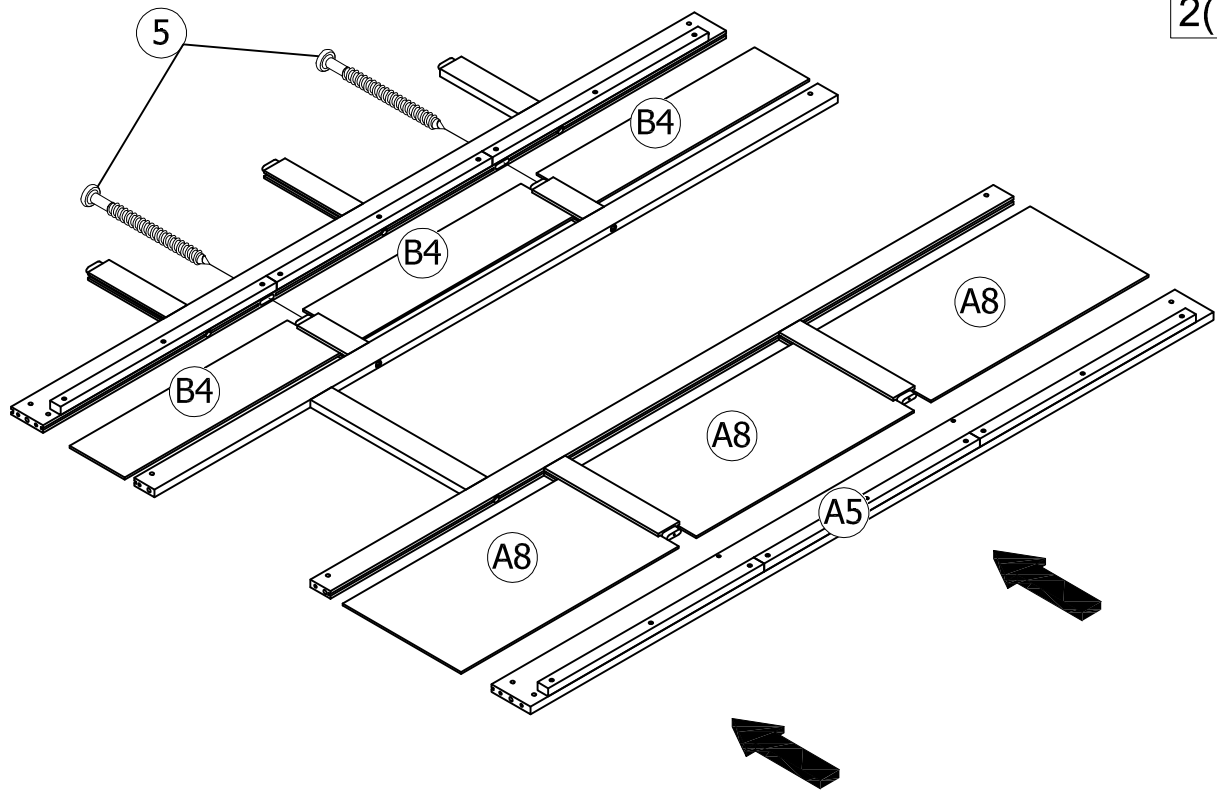


STEP3: Following below illustration.

5

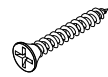


2(pcs)



STEP4: Following below illustration.

14

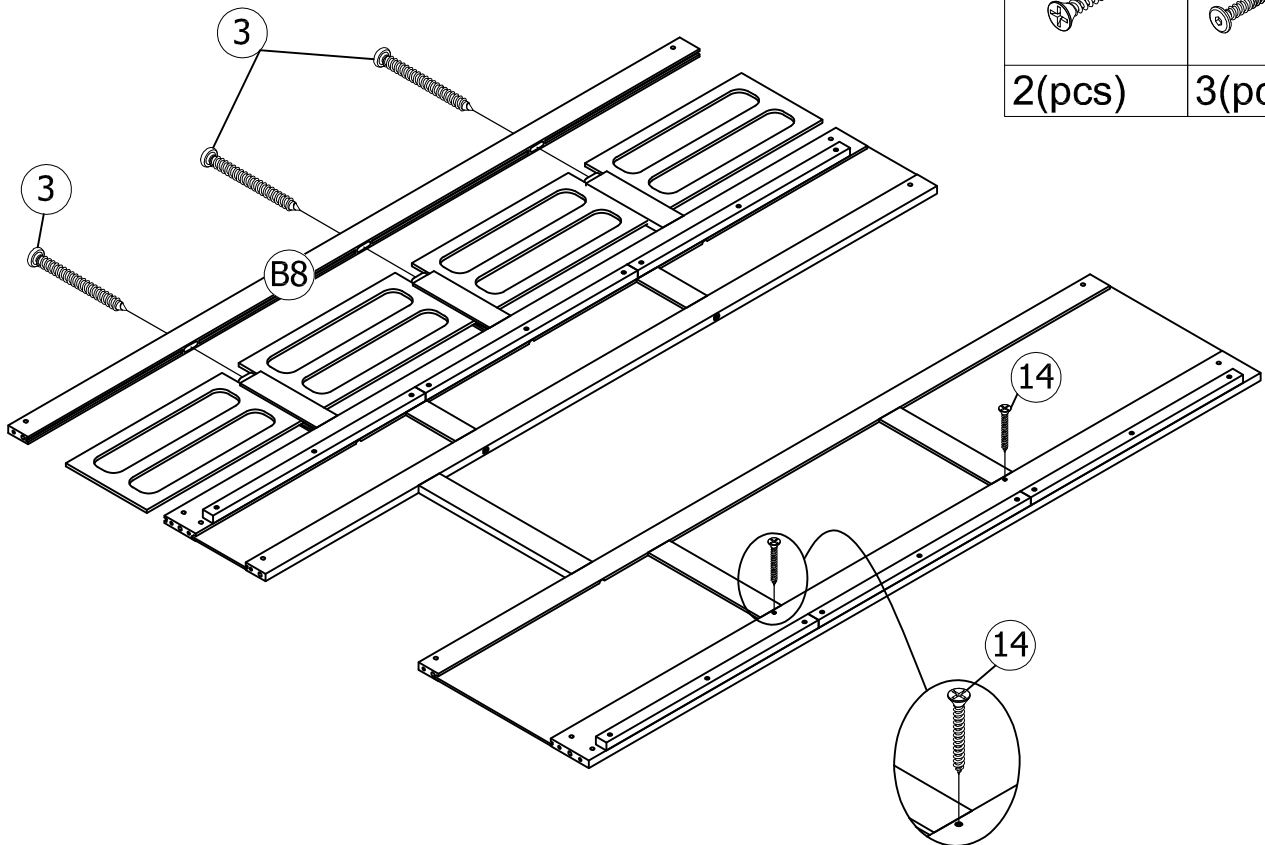


2(pcs)

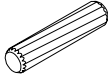


3

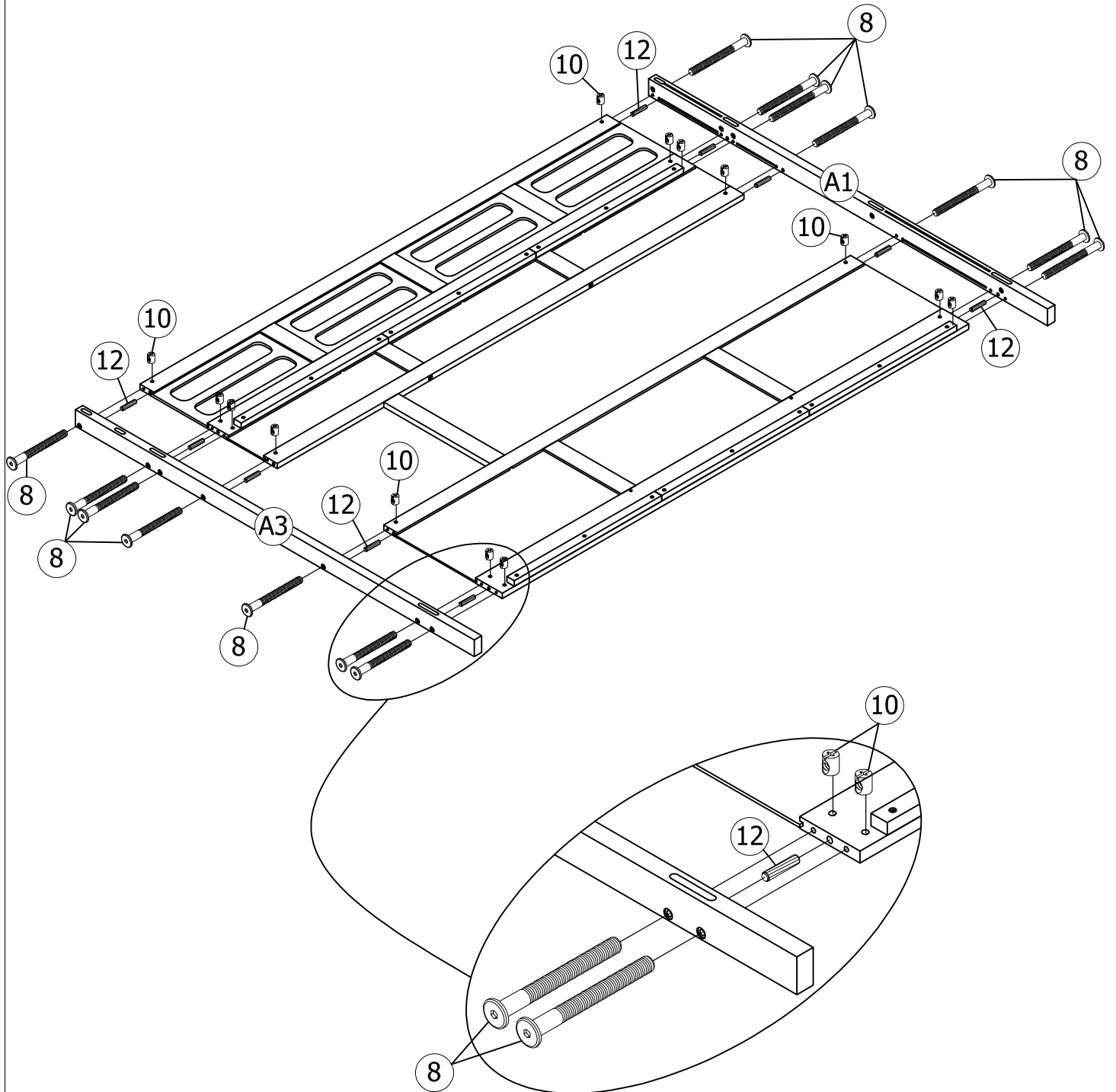


3(pcs)



STEP5: Following below illustration.

12	10	8
		
10(pcs)	14(pcs)	14(pcs)

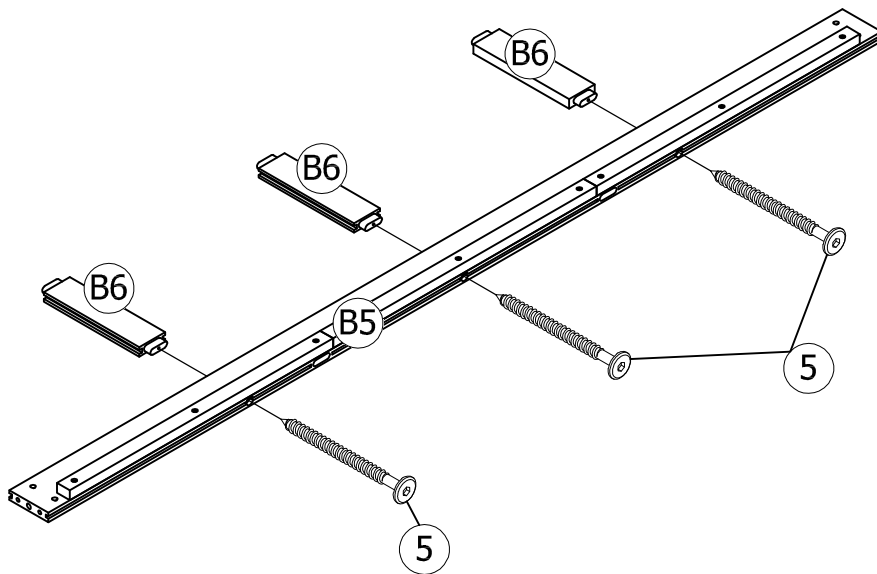


STEP6: Following below illustration.

5



3(pcs)

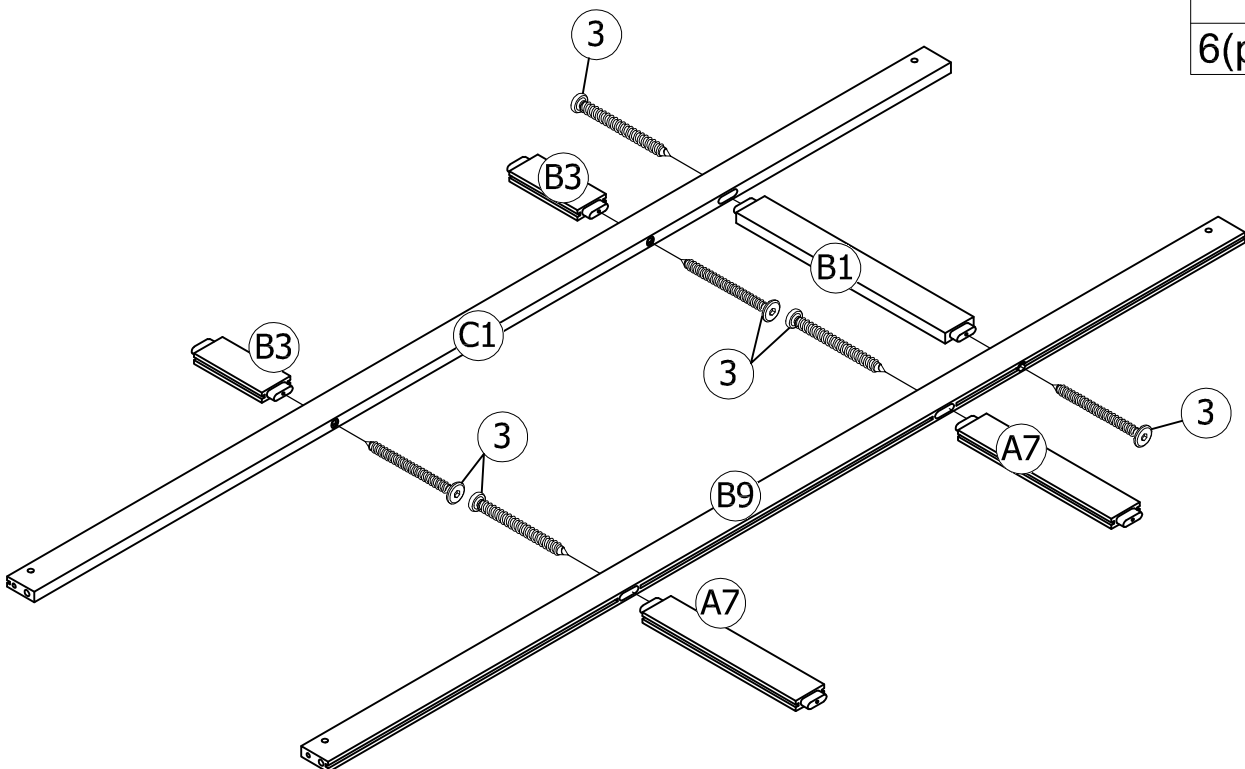


STEP7: Following below illustration.

3



6(pcs)

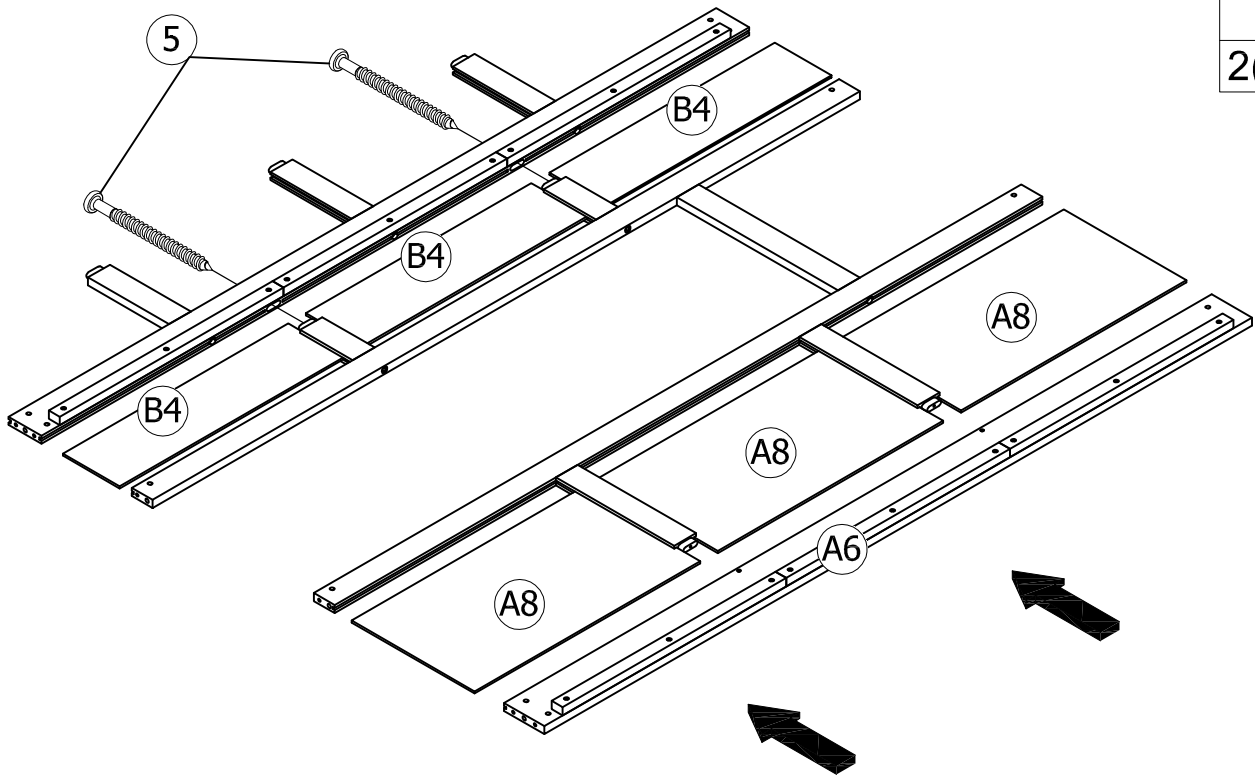


STEP8: Following below illustration.

5

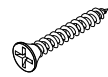


2(pcs)



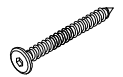
STEP9: Following below illustration.

14

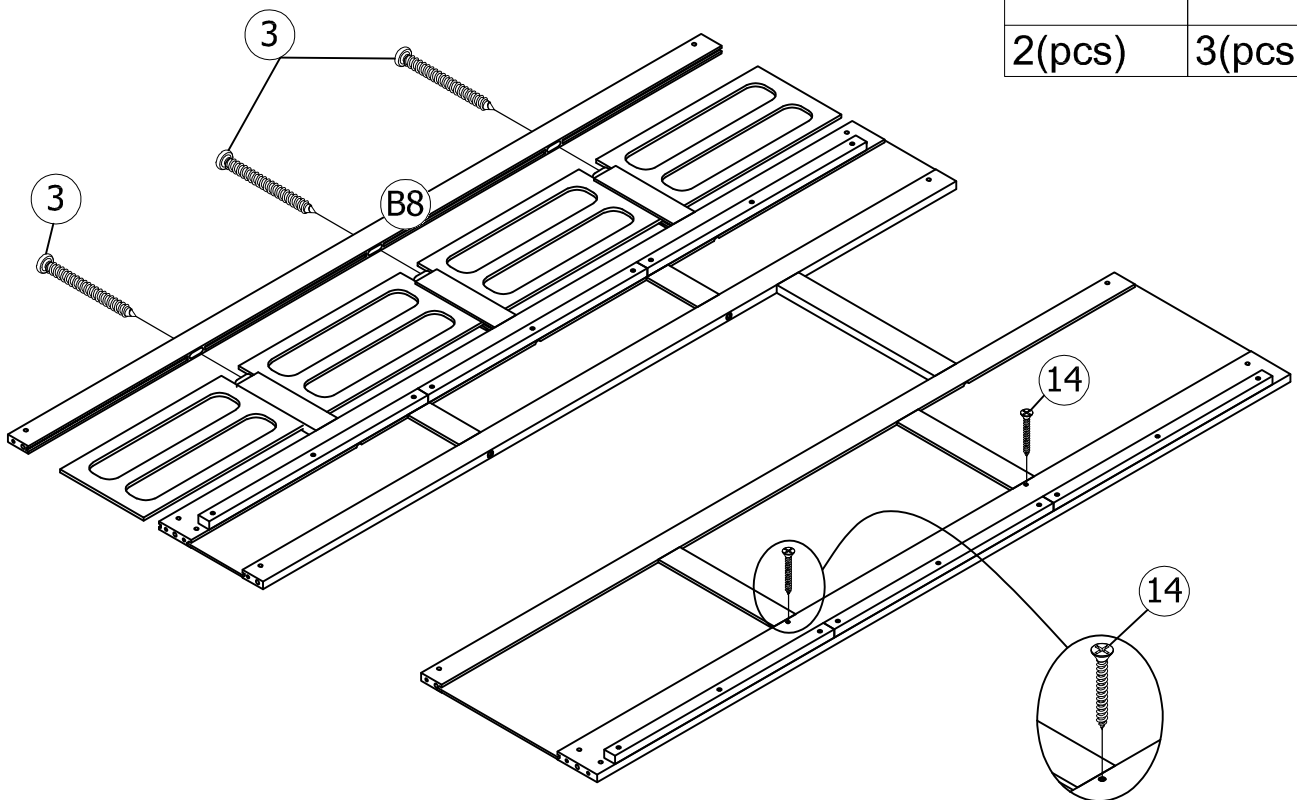


2(pcs)

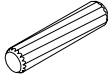


3

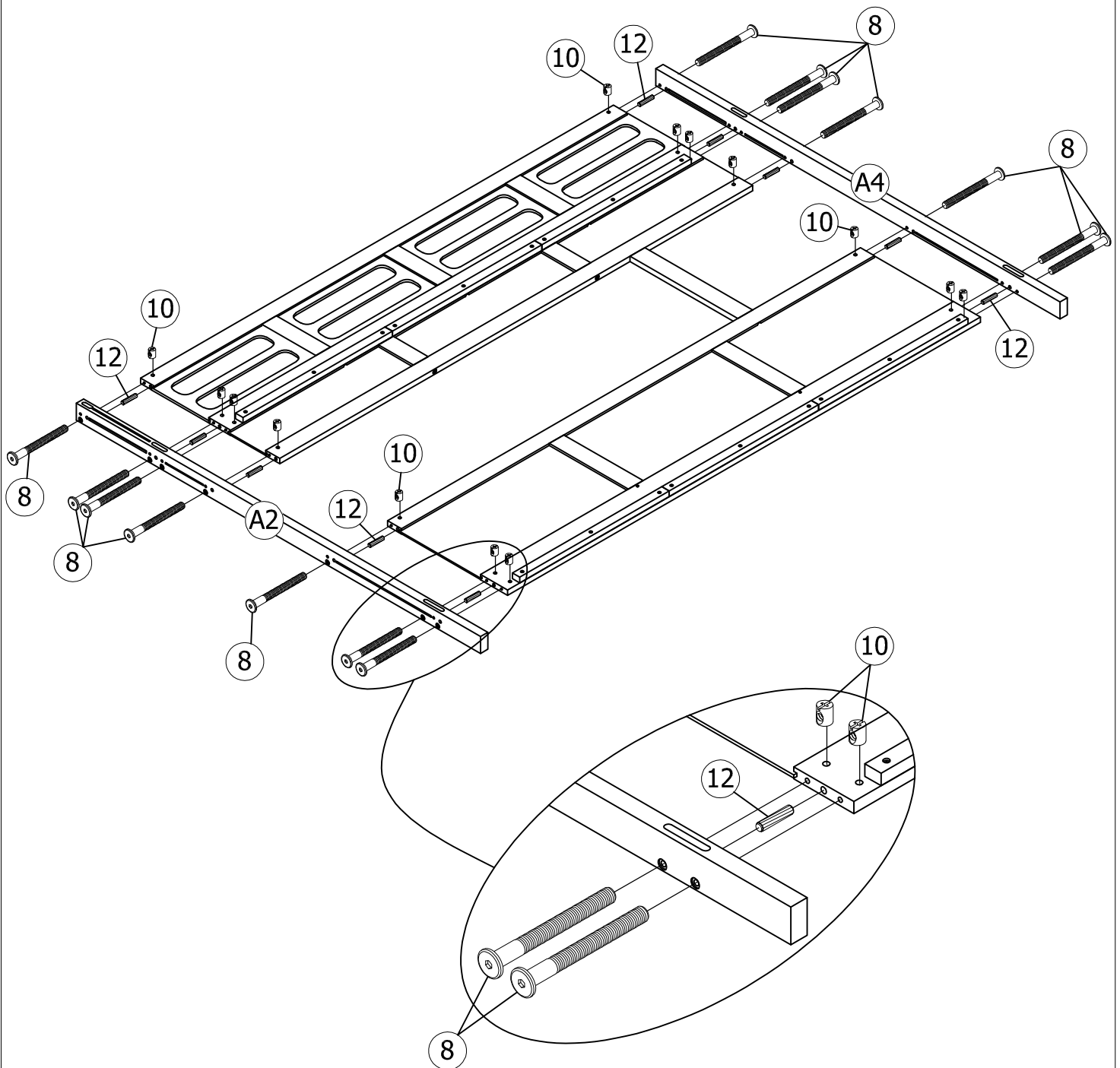


3(pcs)


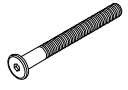


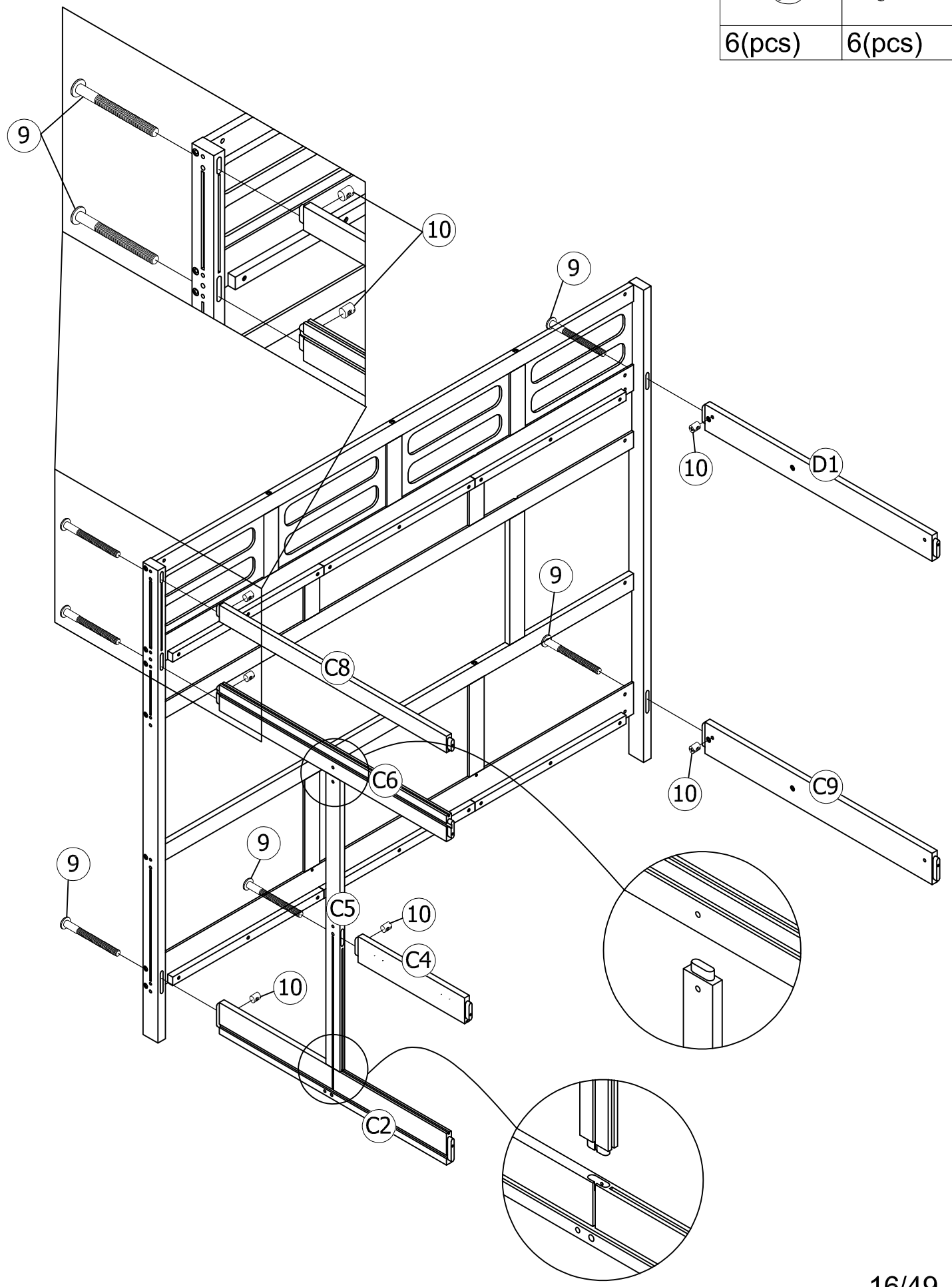
STEP10: Following below illustration.

12	10	8
		
10(pcs)	14(pcs)	14(pcs)


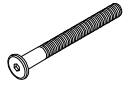


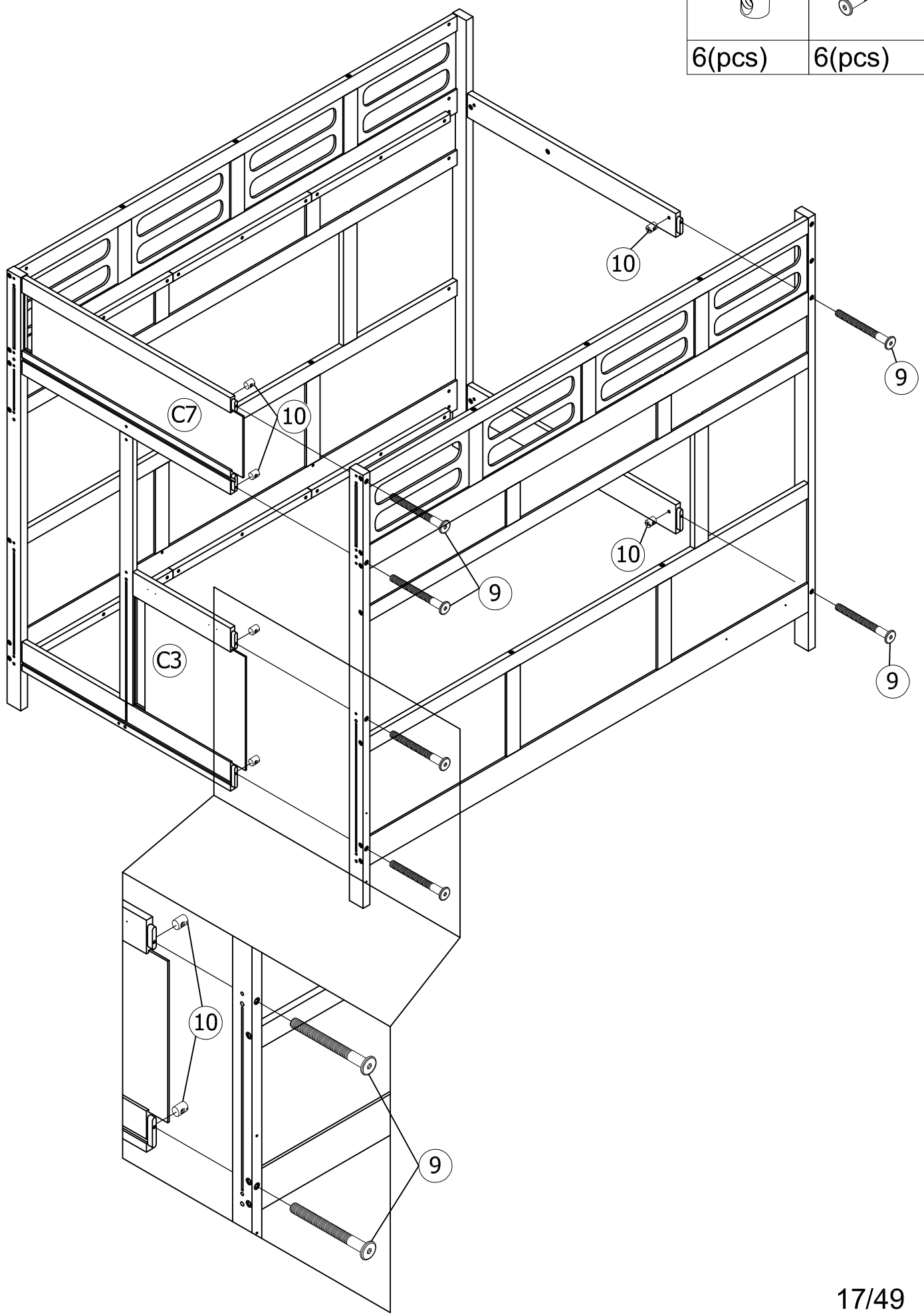
STEP11: Following below illustration.

10	9
	
6(pcs)	6(pcs)


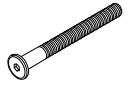


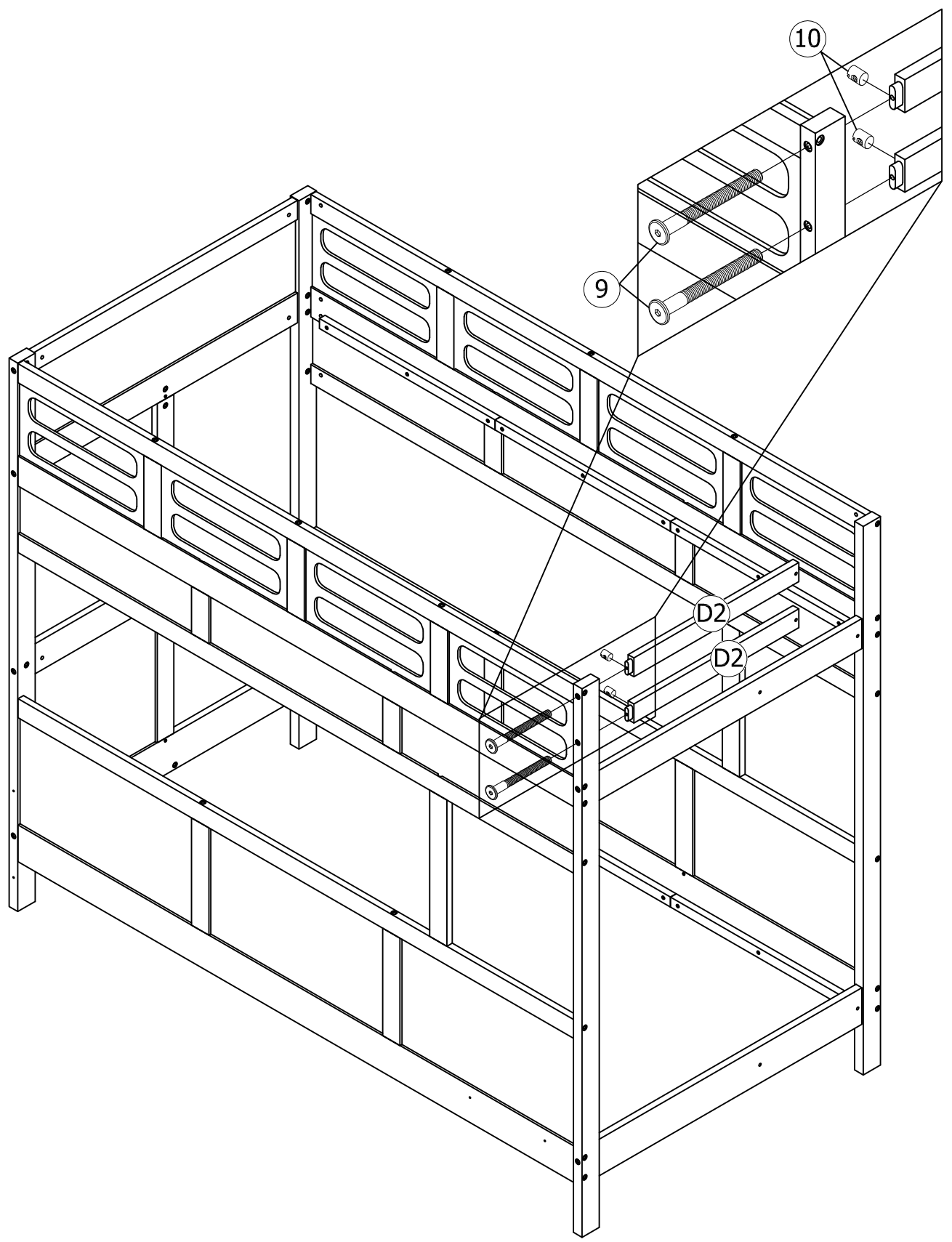
STEP12: Following below illustration.

10	9
	
6(pcs)	6(pcs)



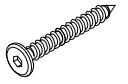
STEP13: Following below illustration.

10	9
	
2(pcs)	2(pcs)

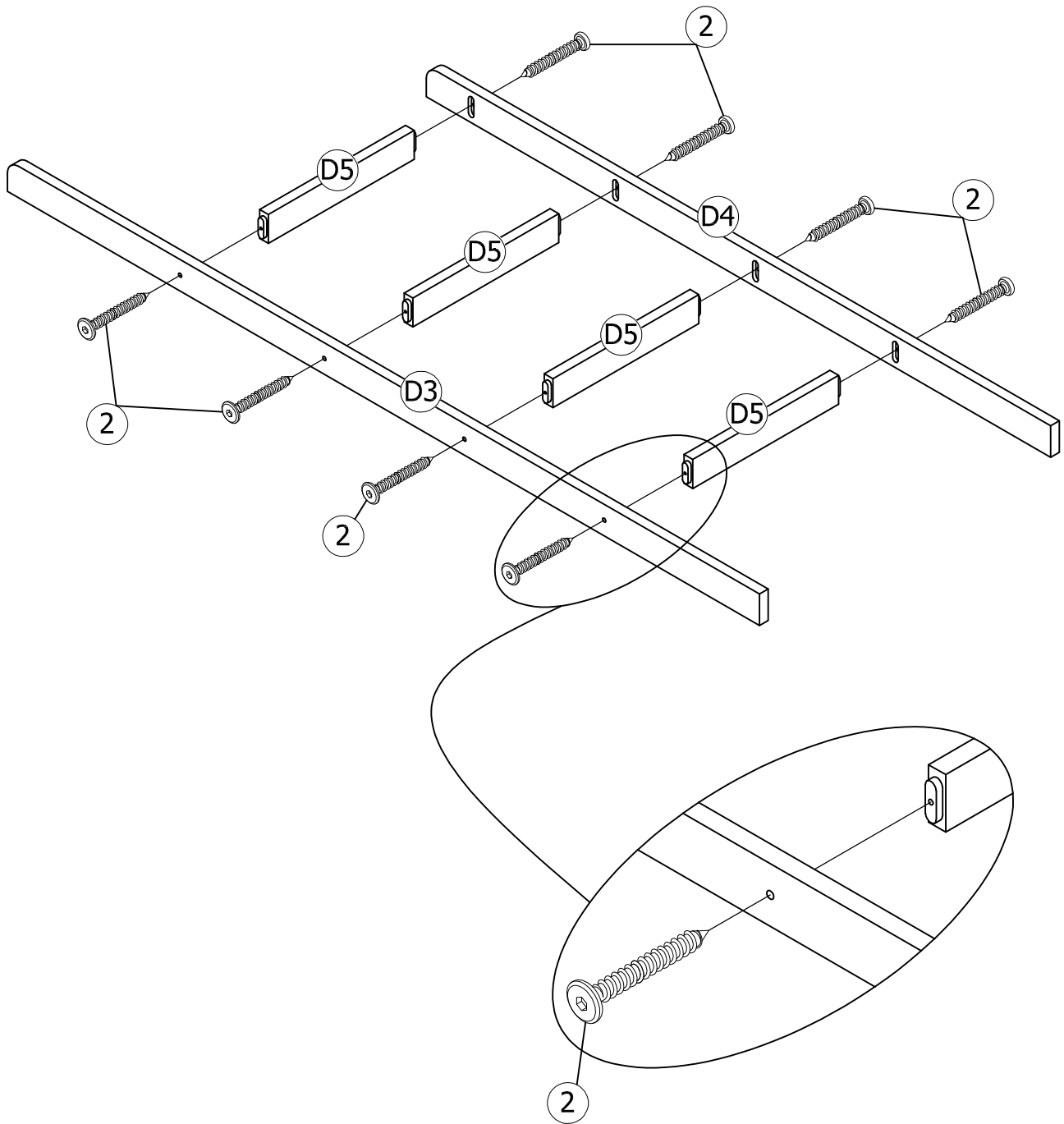


STEP14: Following below illustration.

2

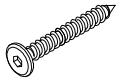


8(pcs)

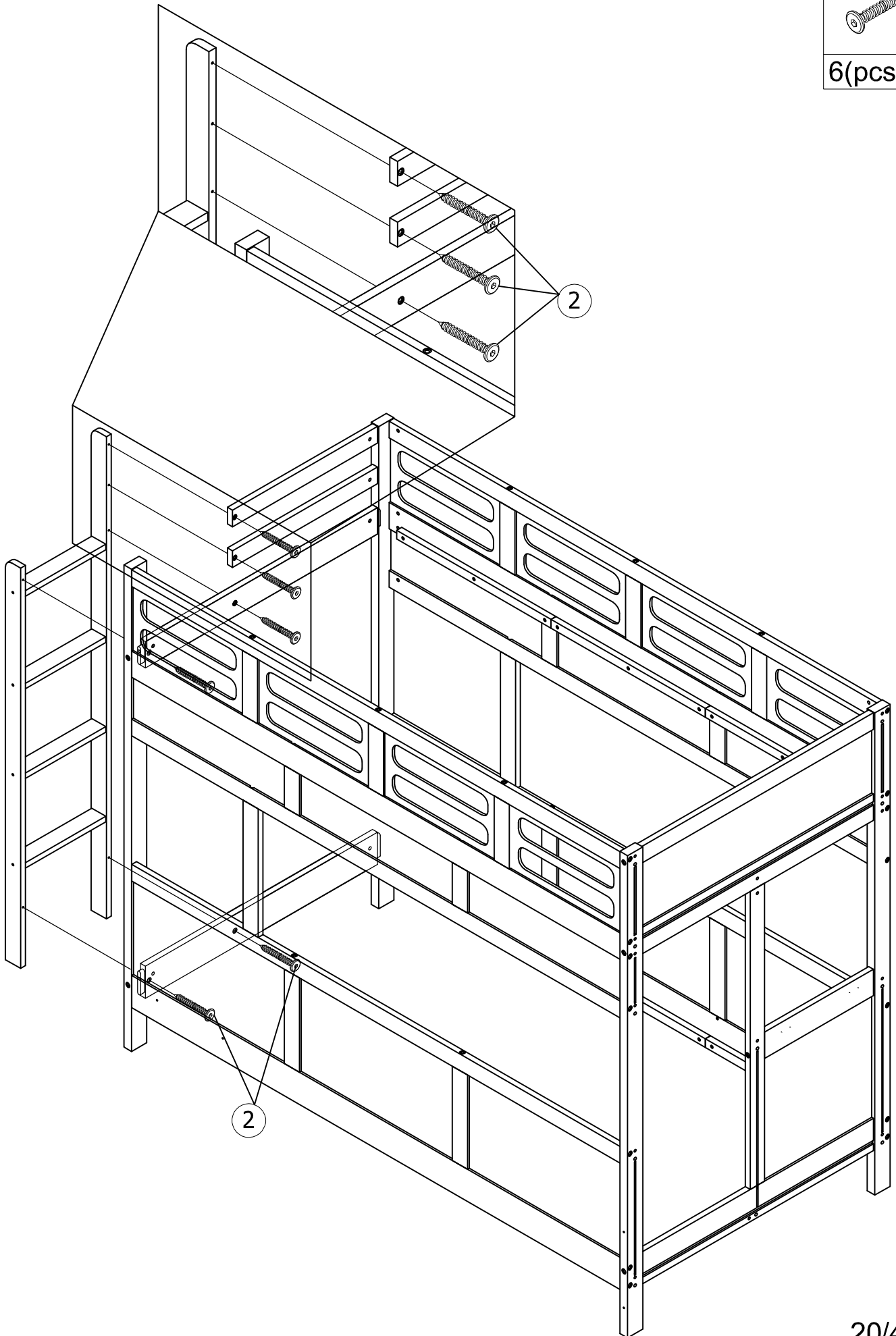


STEP15: Following below illustration.

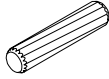


2

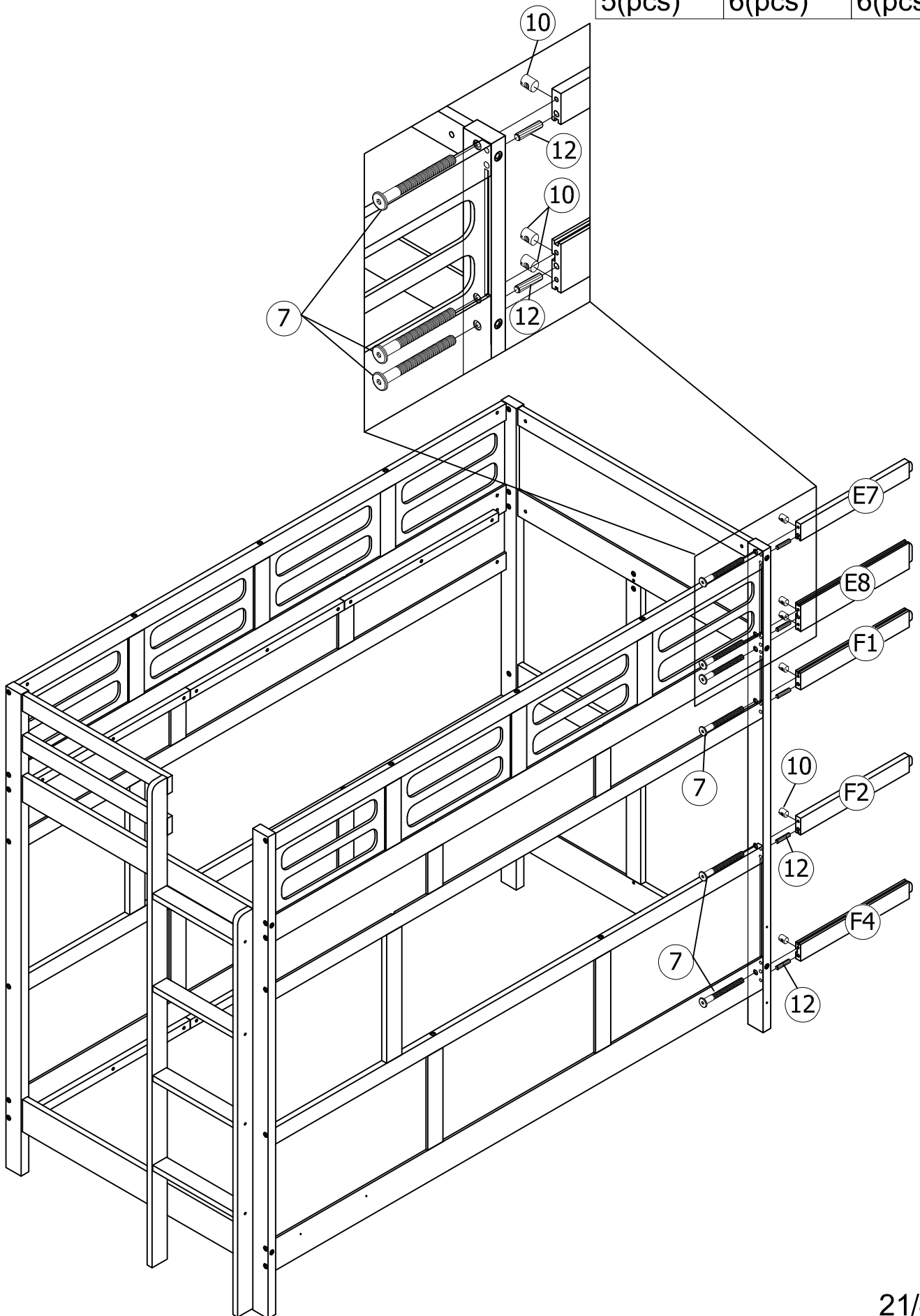


6(pcs)


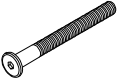


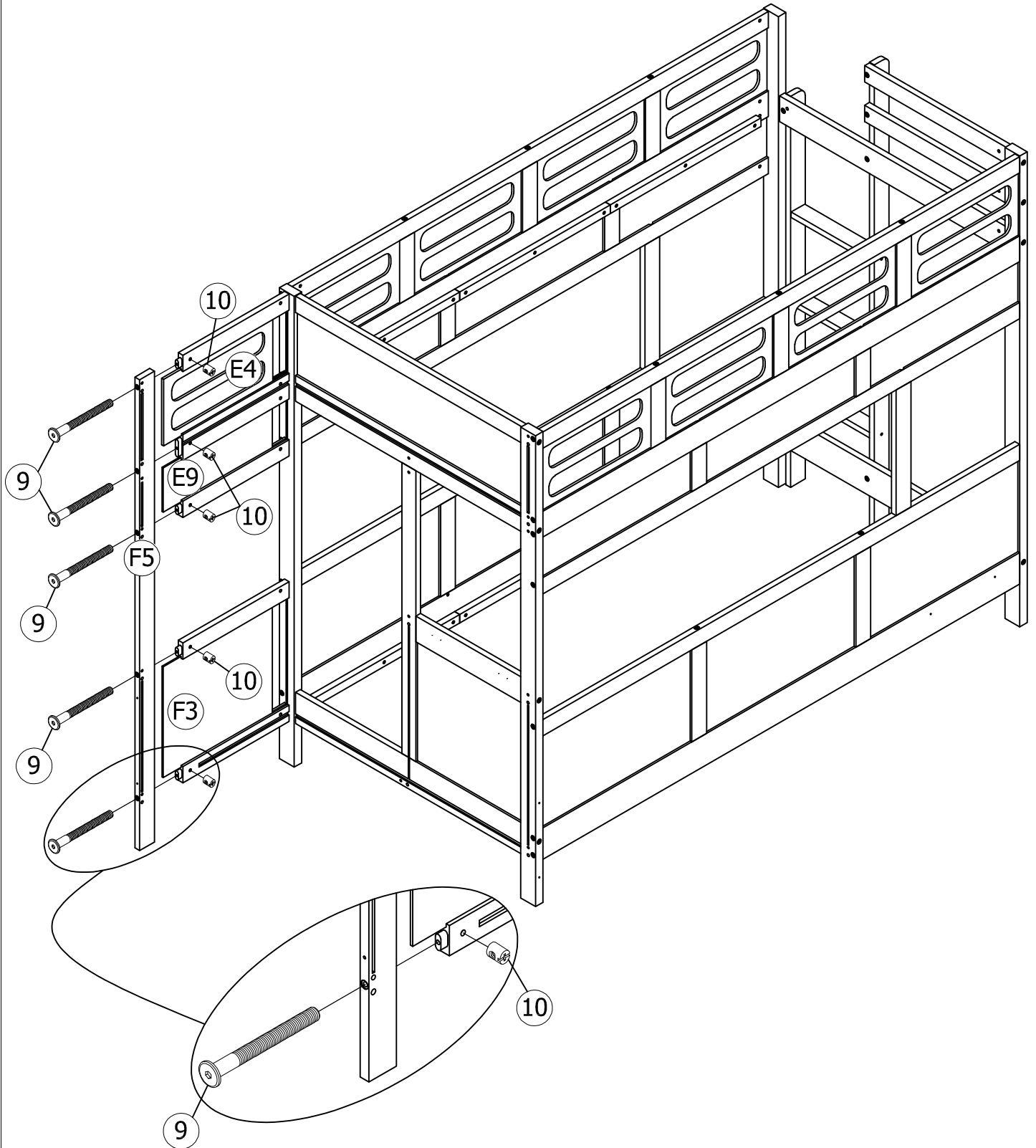
STEP16: Following below illustration.

12	10	7
		
5(pcs)	6(pcs)	6(pcs)

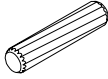





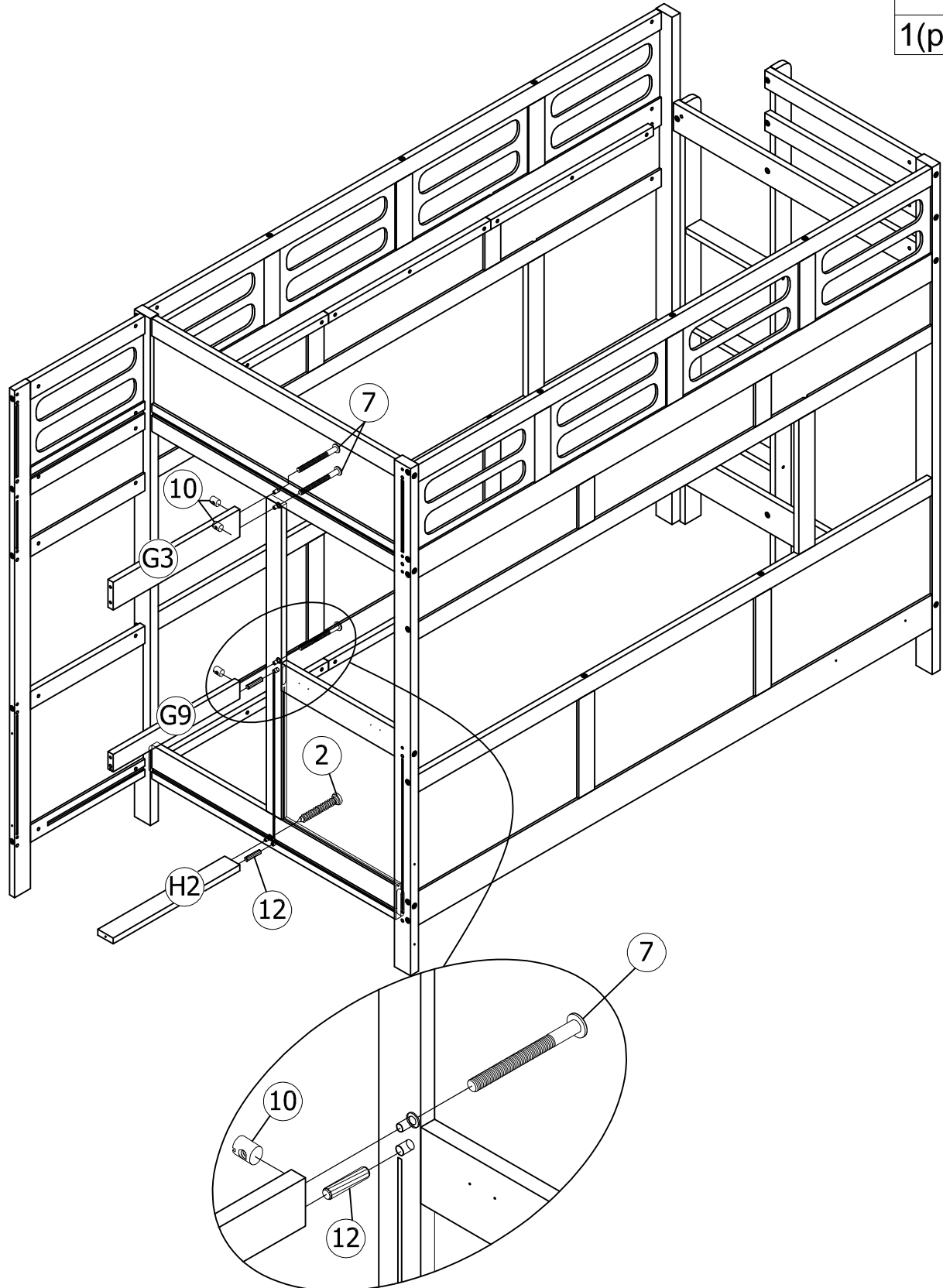
STEP17: Following below illustration.

10	9
	
5(pcs)	5(pcs)

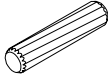




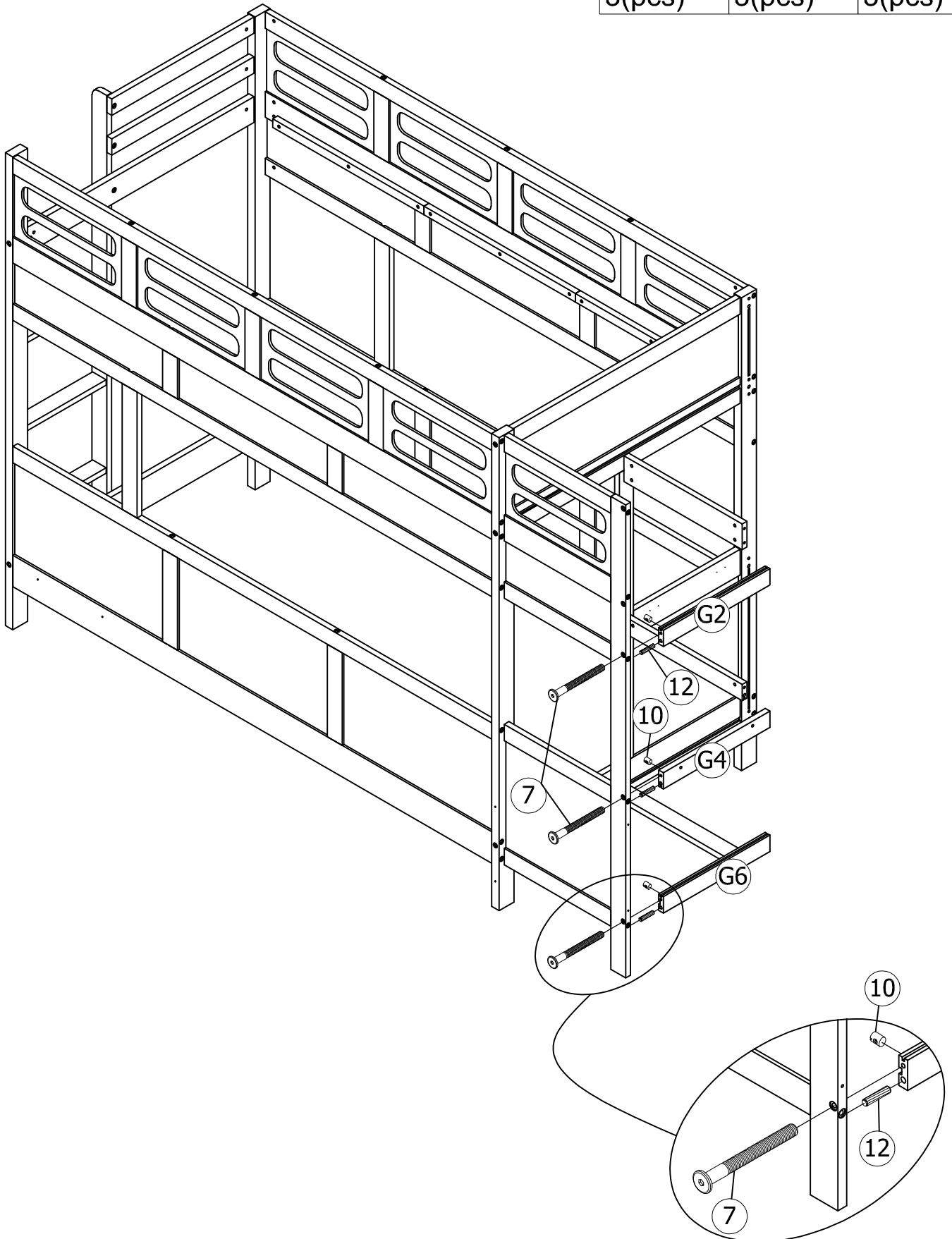
STEP18: Following below illustration.

12	10	7
		
2(pcs)	3(pcs)	3(pcs)
		2
		
		1(pc)

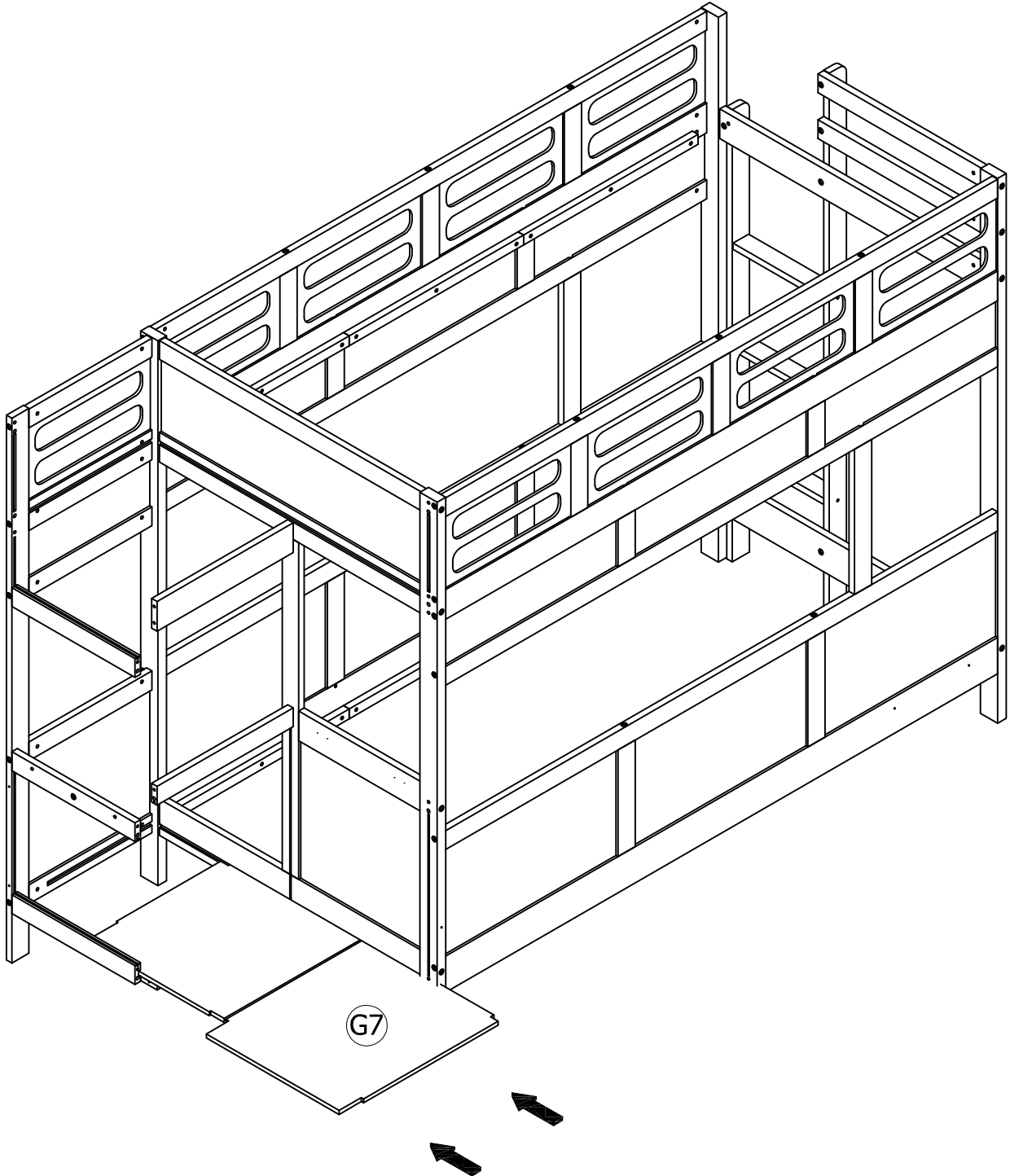


STEP19: Following below illustration.

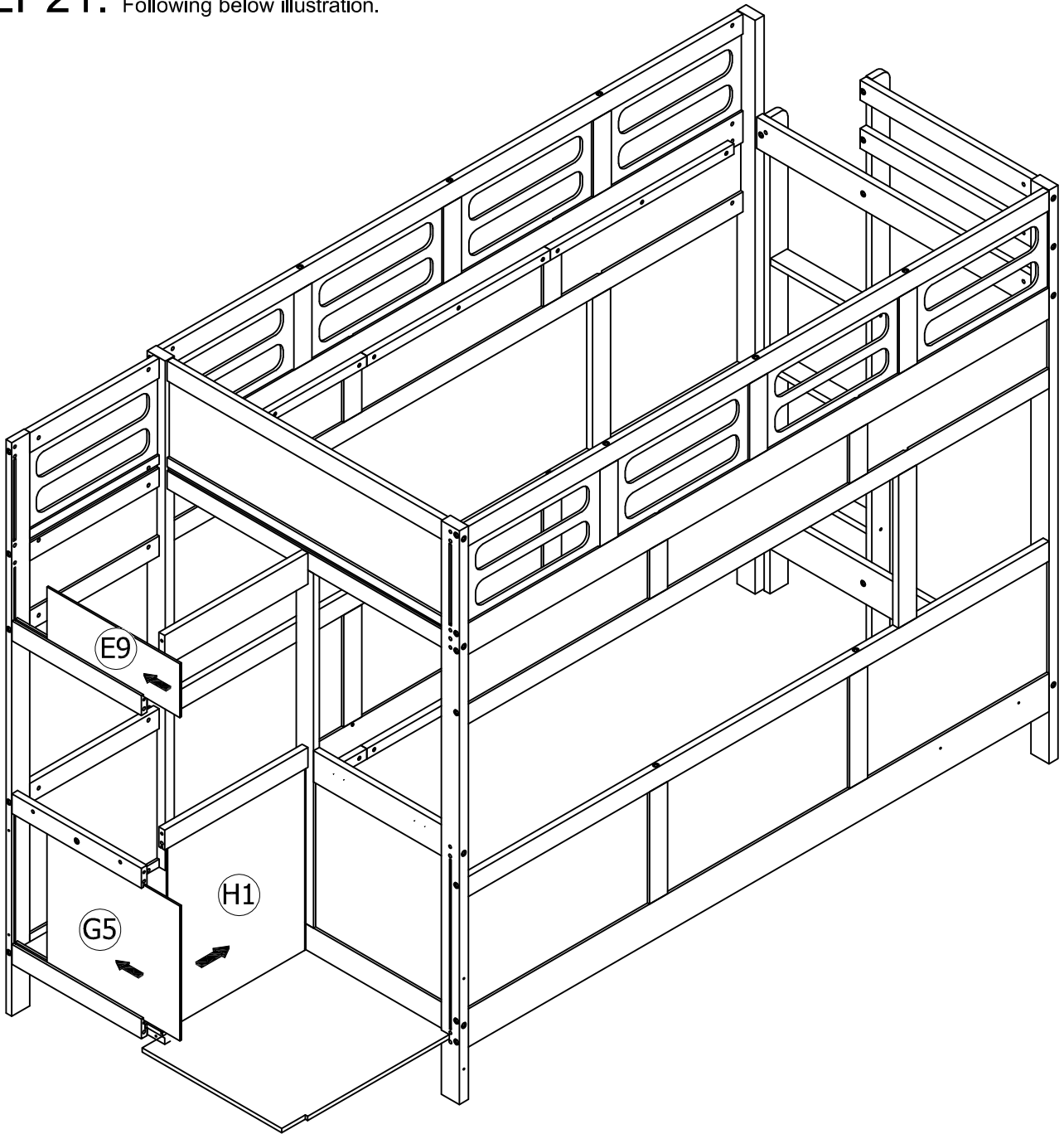
12	10	7
		
3(pcs)	3(pcs)	3(pcs)



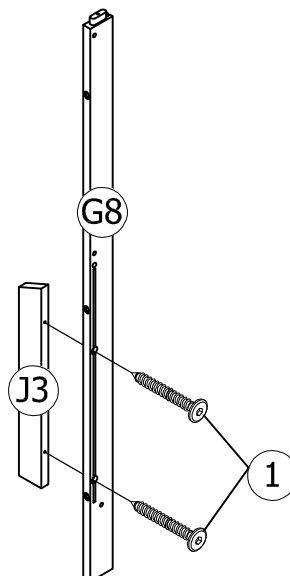
STEP20: Following below illustration.



STEP21: Following below illustration.



STEP22: Following below illustration.


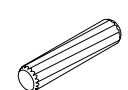


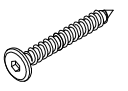


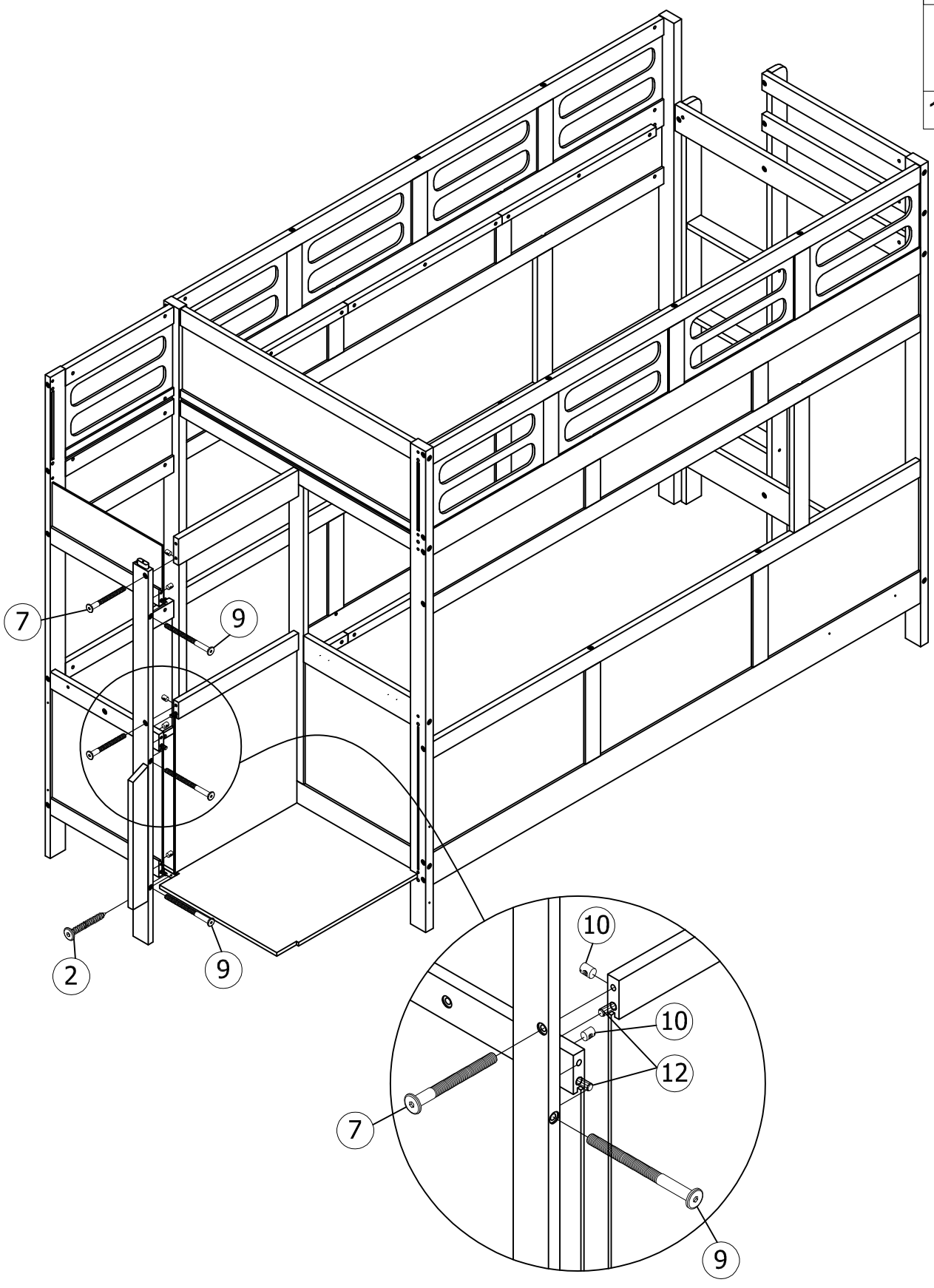
1



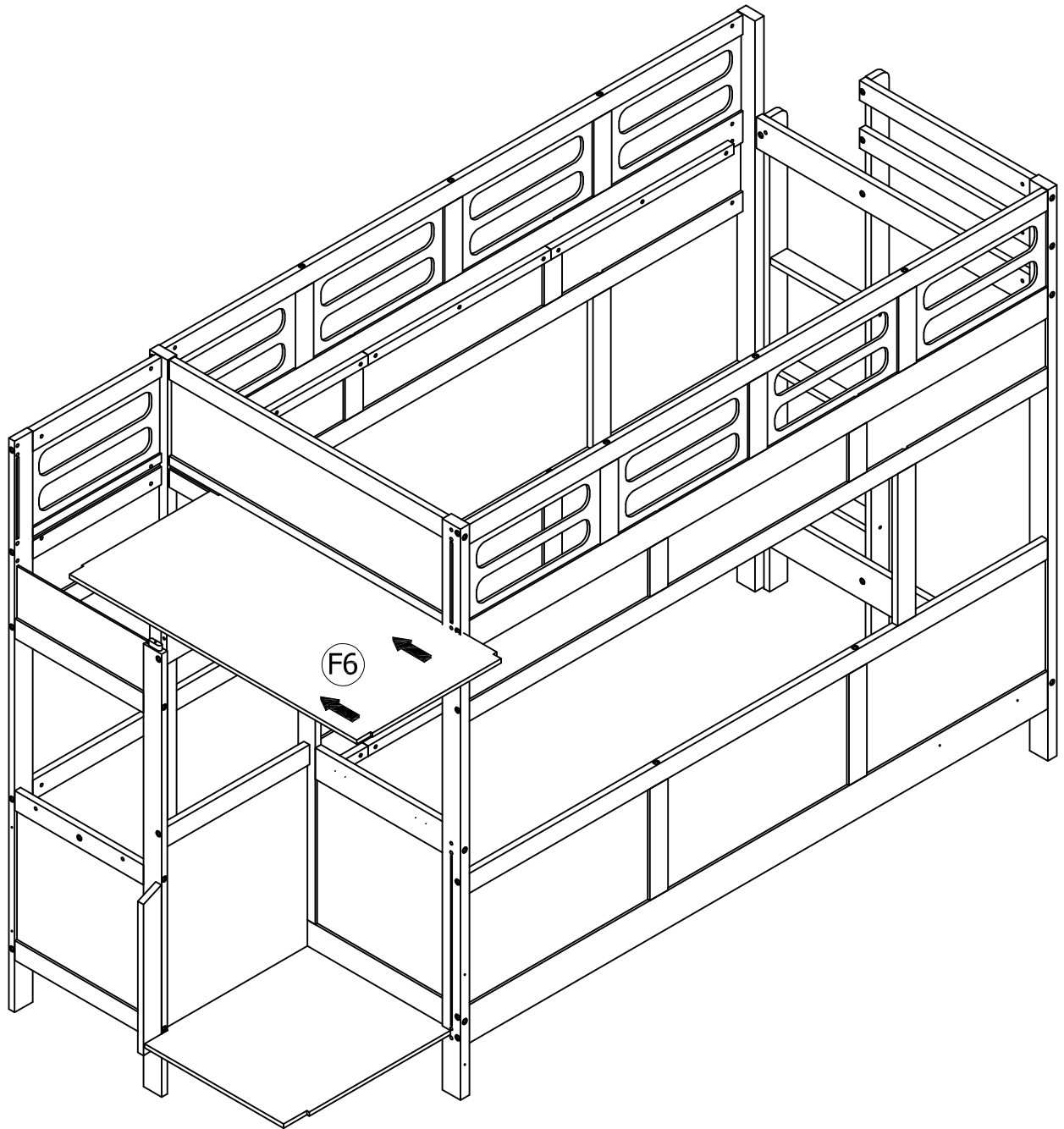
2(pcs)

STEP23: Following below illustration.

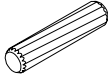


9	12	10	7
			
3(pcs)	4(pcs)	5(pcs)	2(pcs)
			2
			
			1(pc)

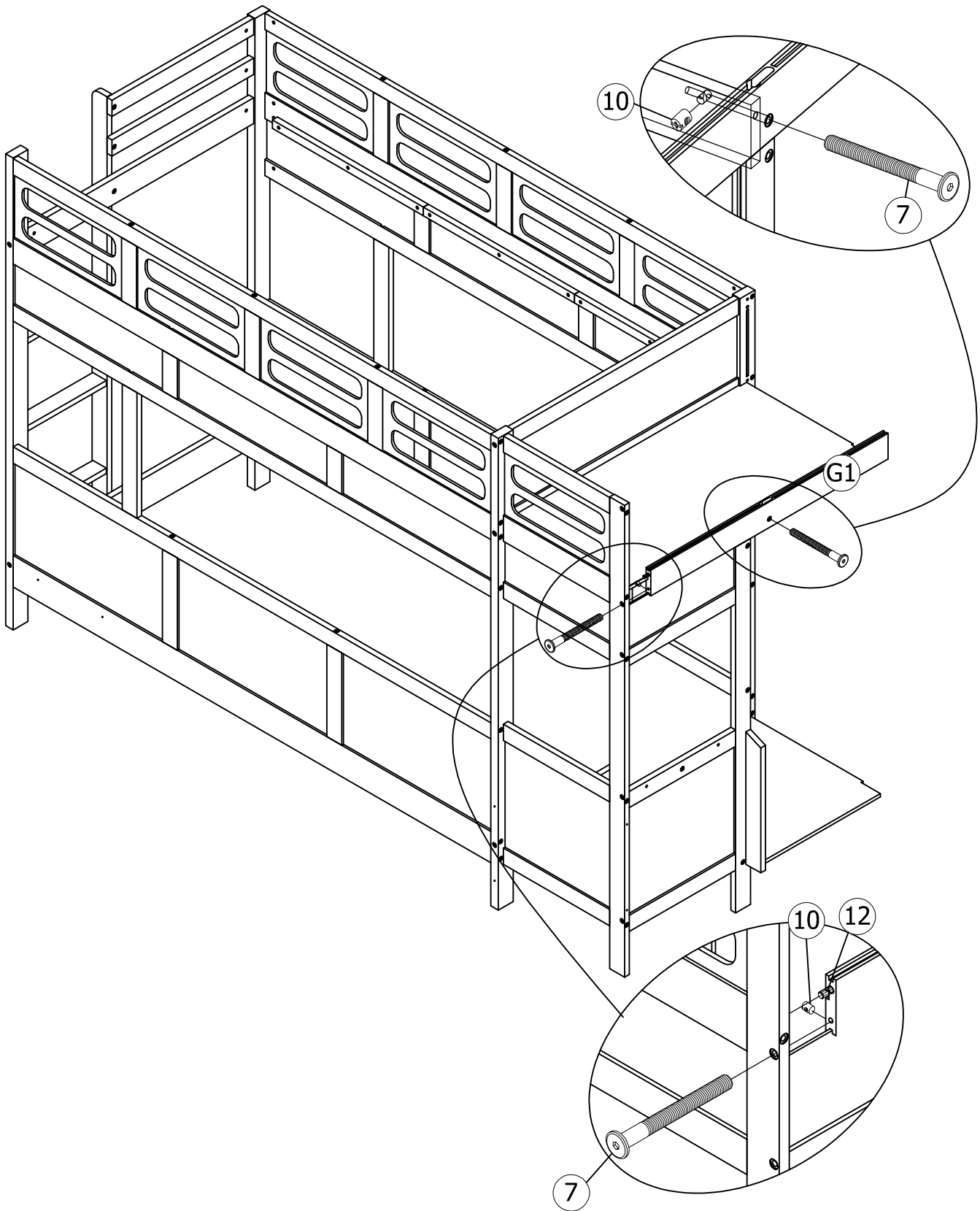


STEP24: Following below illustration.

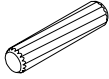




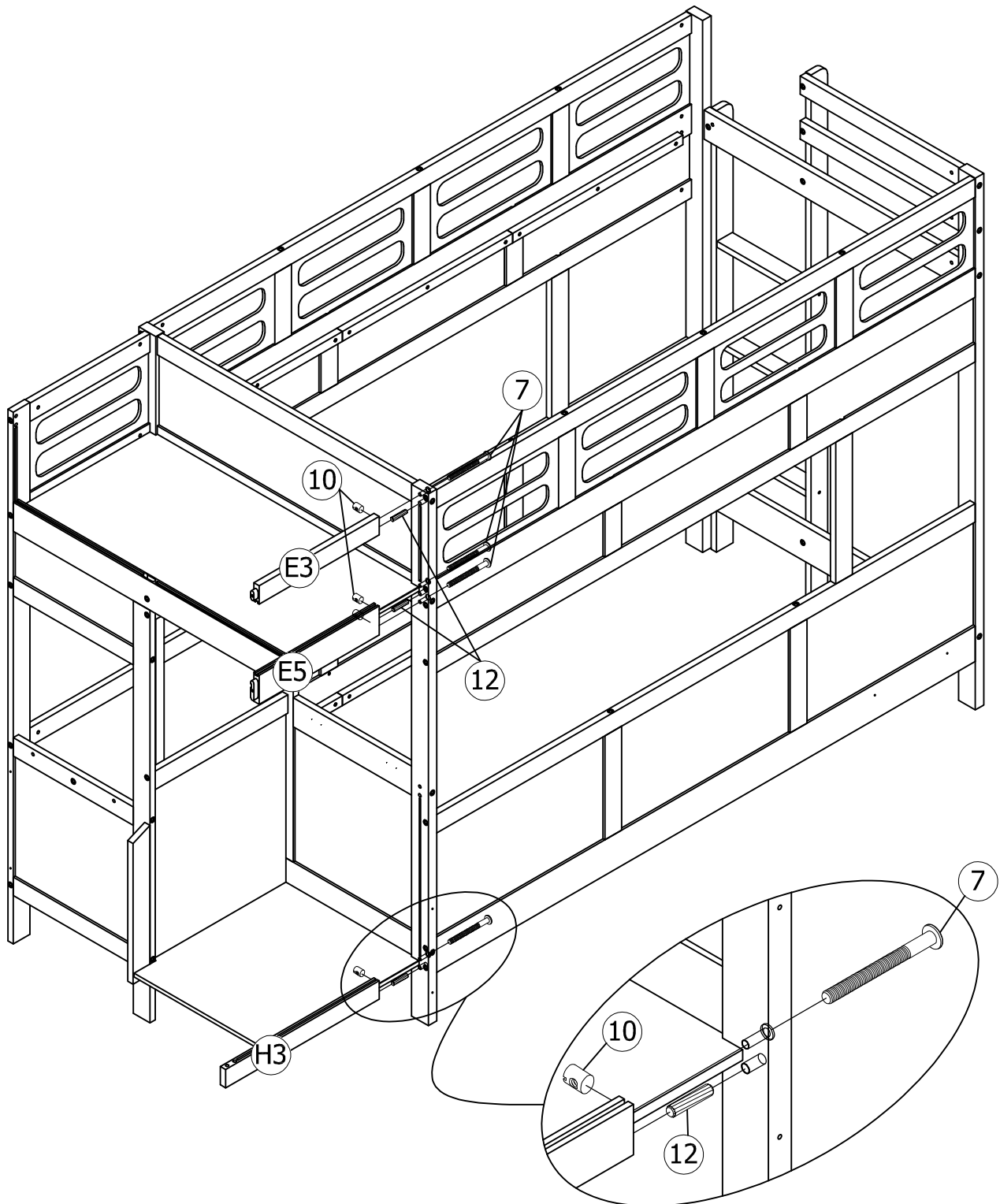
STEP25: Following below illustration.

12	10	7
		
1(pc)	2(pcs)	2(pcs)

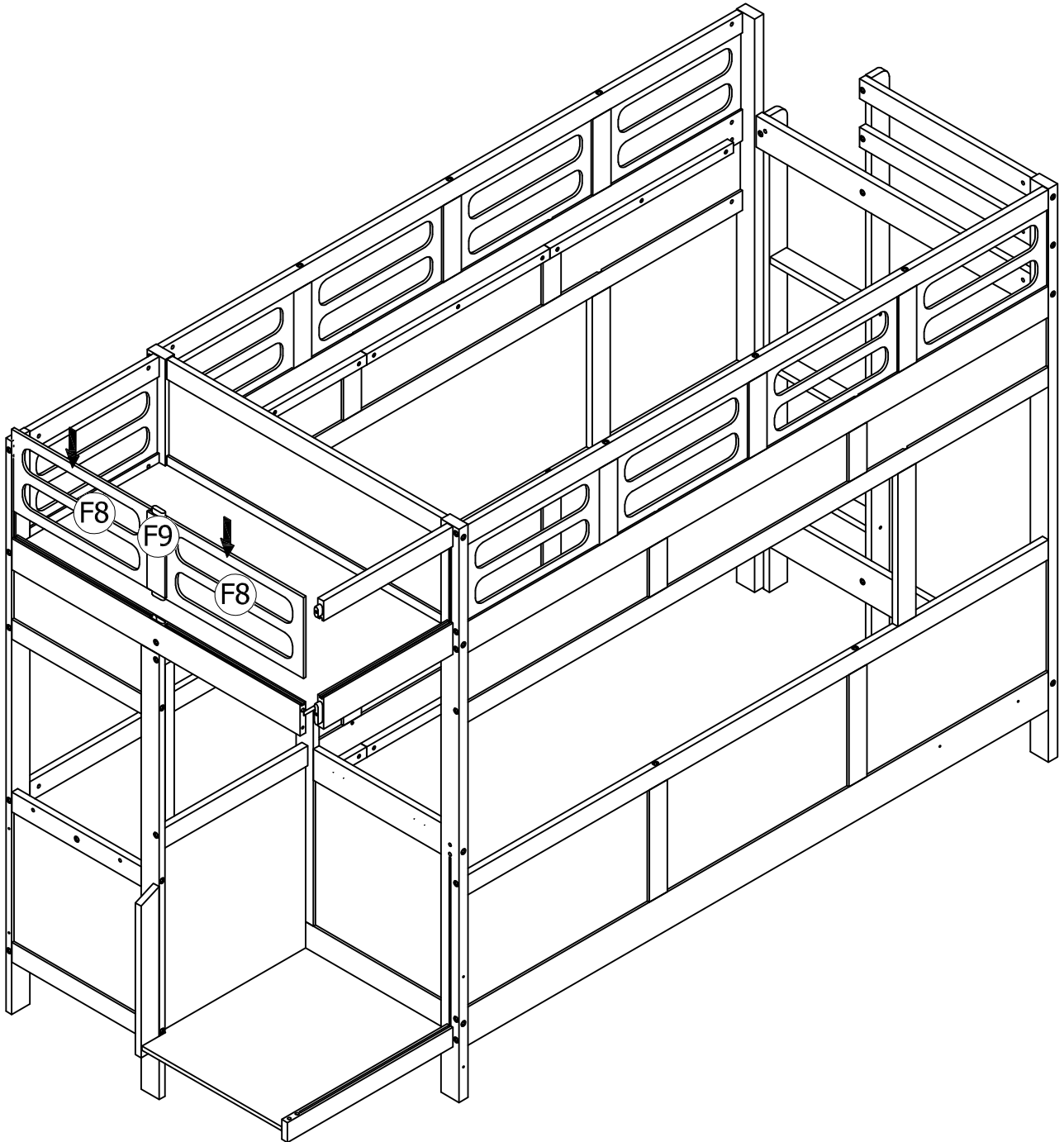


STEP26: Following below illustration.

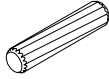



12	10	7
		
3(pcs)	4(pcs)	4(pcs)

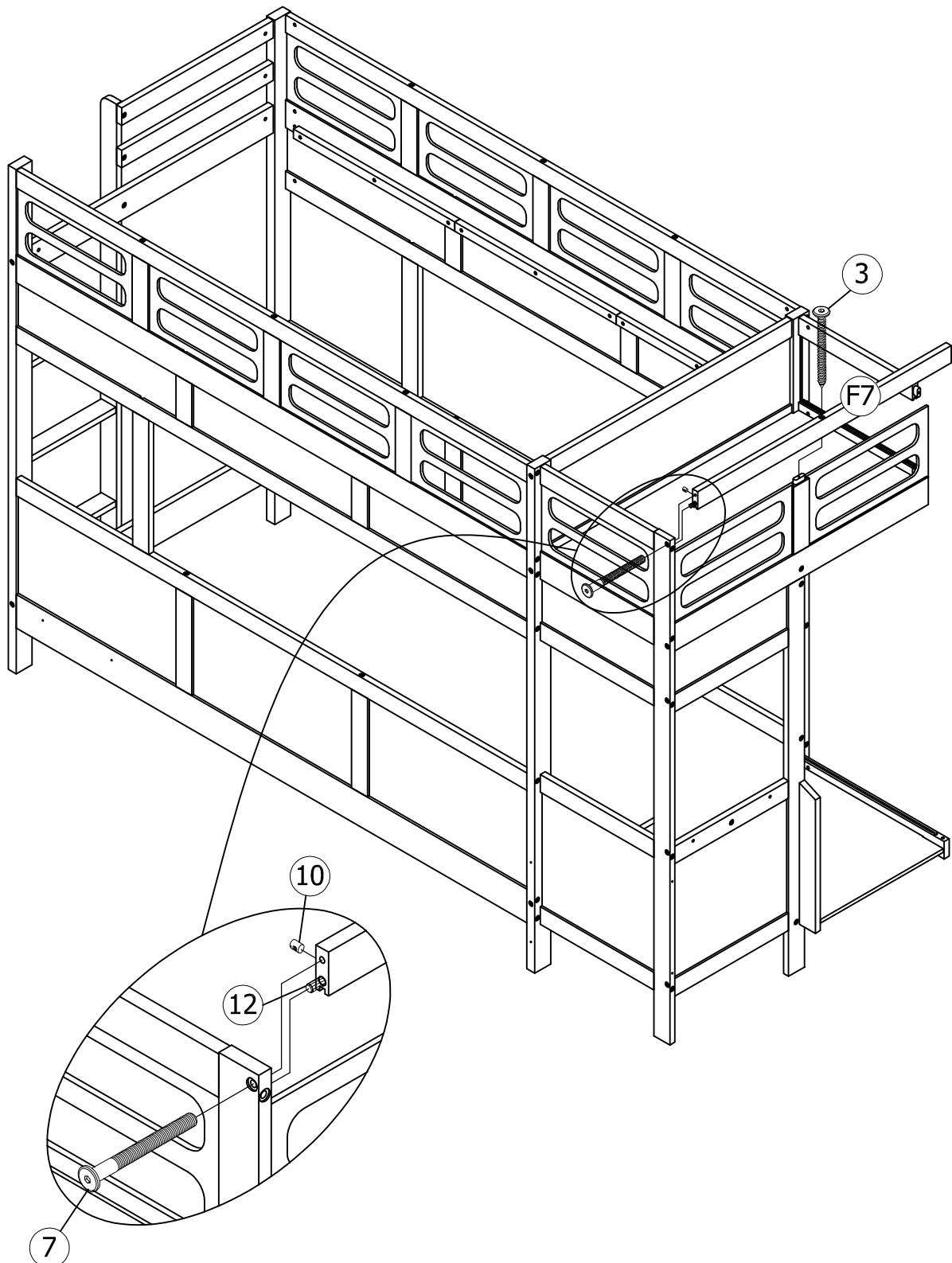


STEP27: Following below illustration.

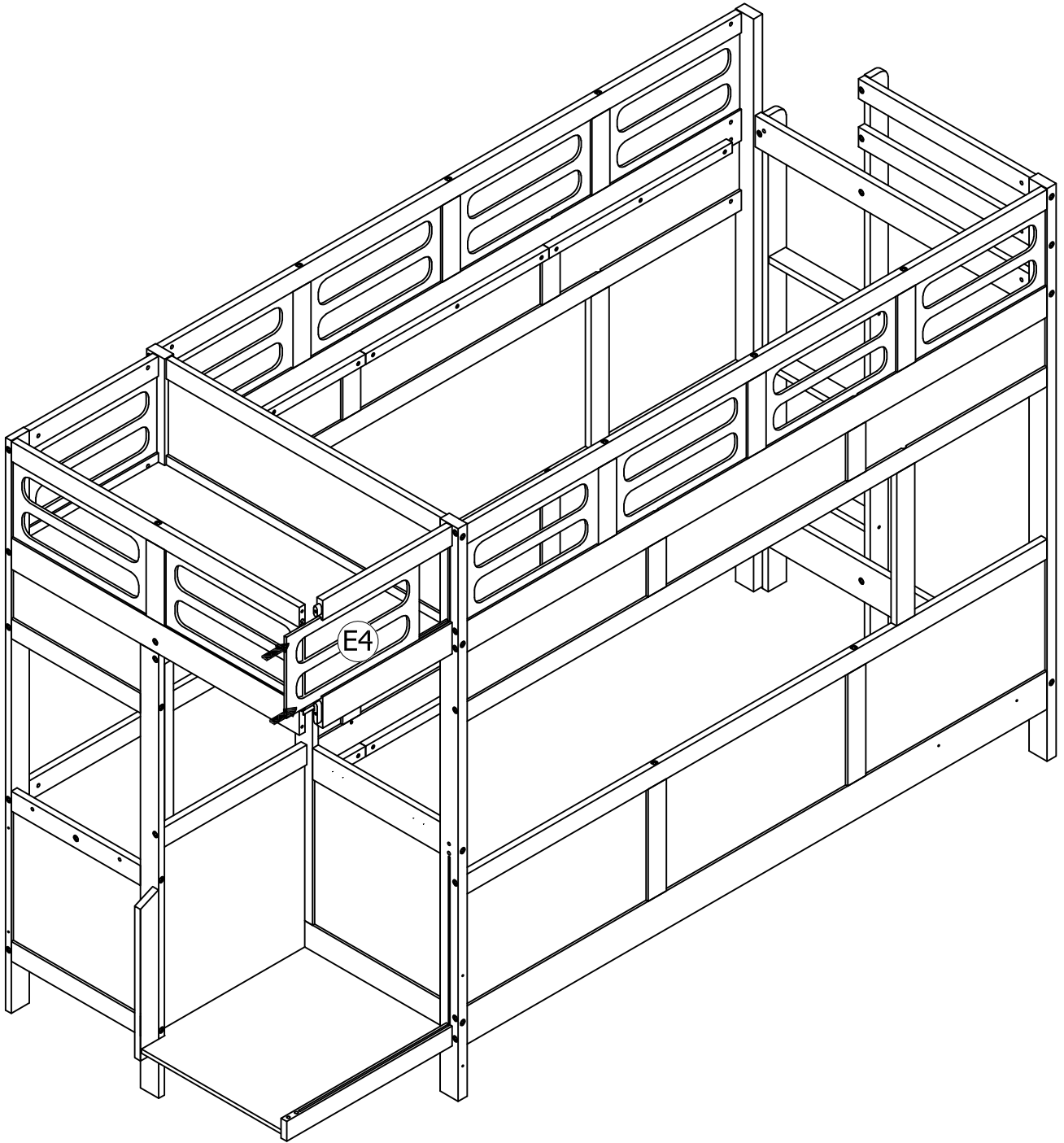


STEP28: Following below illustration.


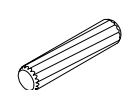


12	10	7
		
1(pc)	1(pc)	1pc)
		3
		
		1pc)

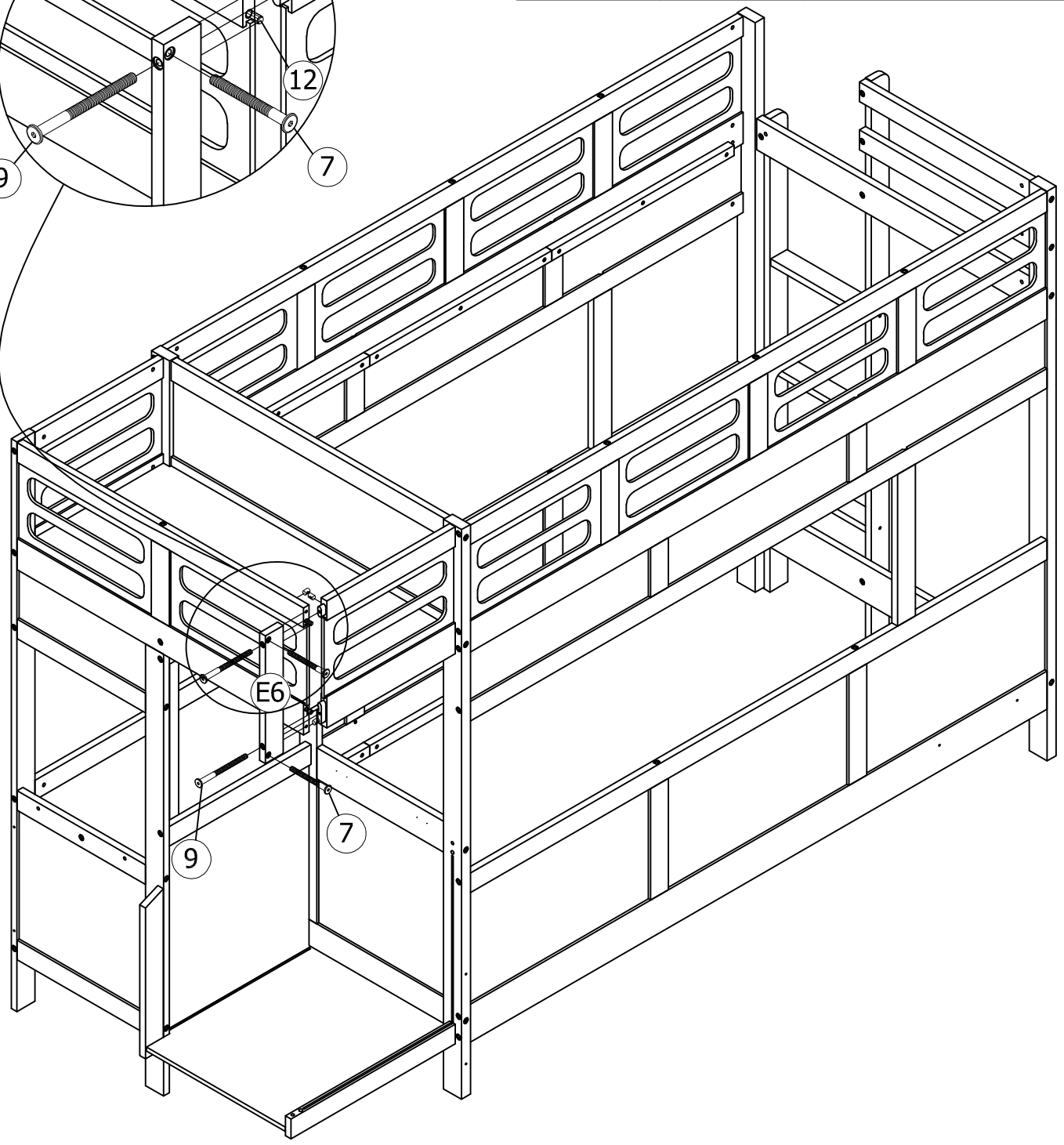
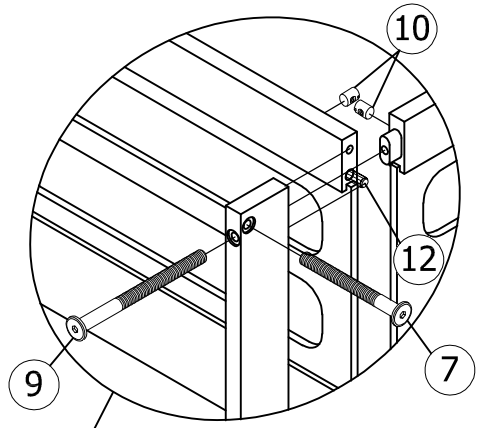


STEP29: Following below illustration.

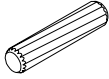




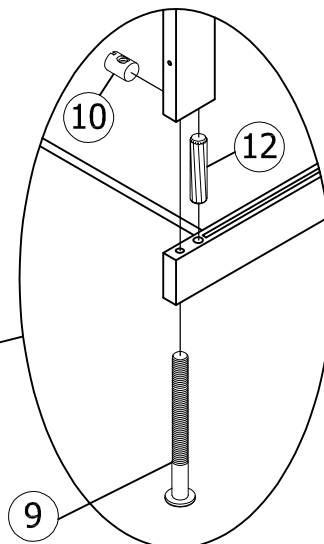
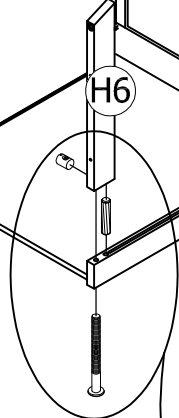
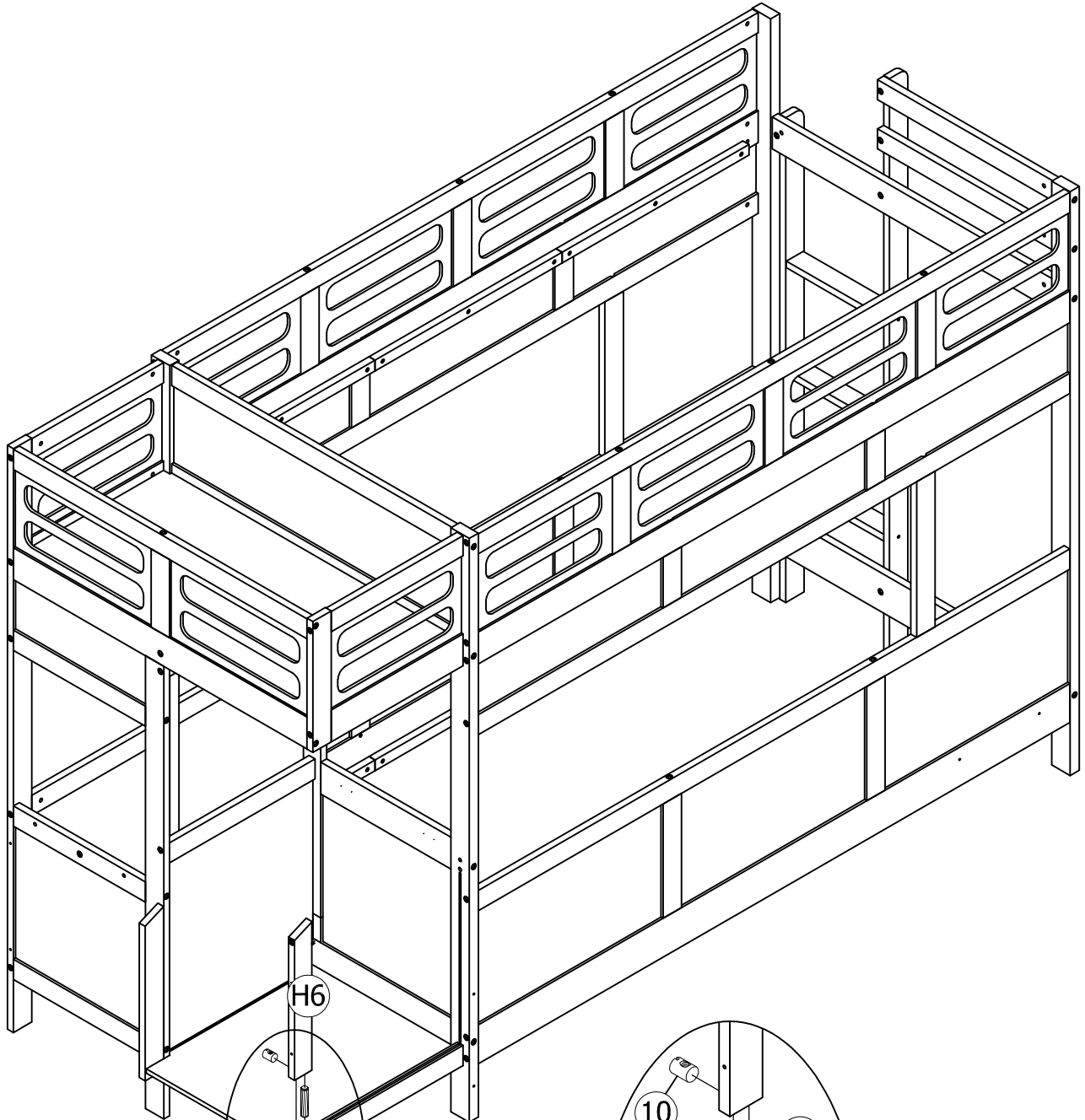
STEP30: Following below illustration.

9	12	10	7
			
2(pcs)	2(pcs)	4(pcs)	2(pcs)

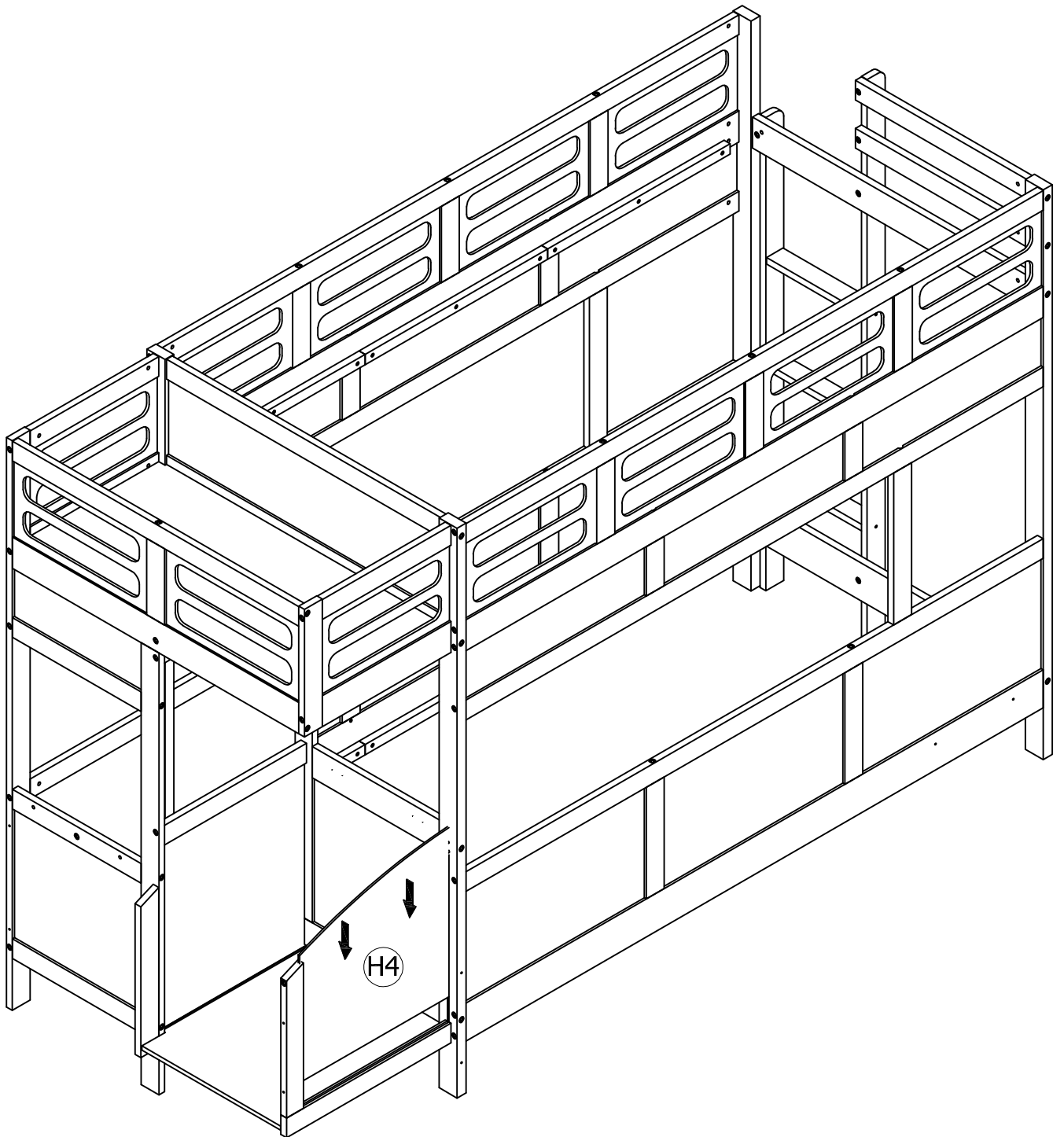


STEP31: Following below illustration.


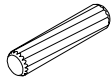


12	10	9
		
1(pc)	1(pc)	1(pc)

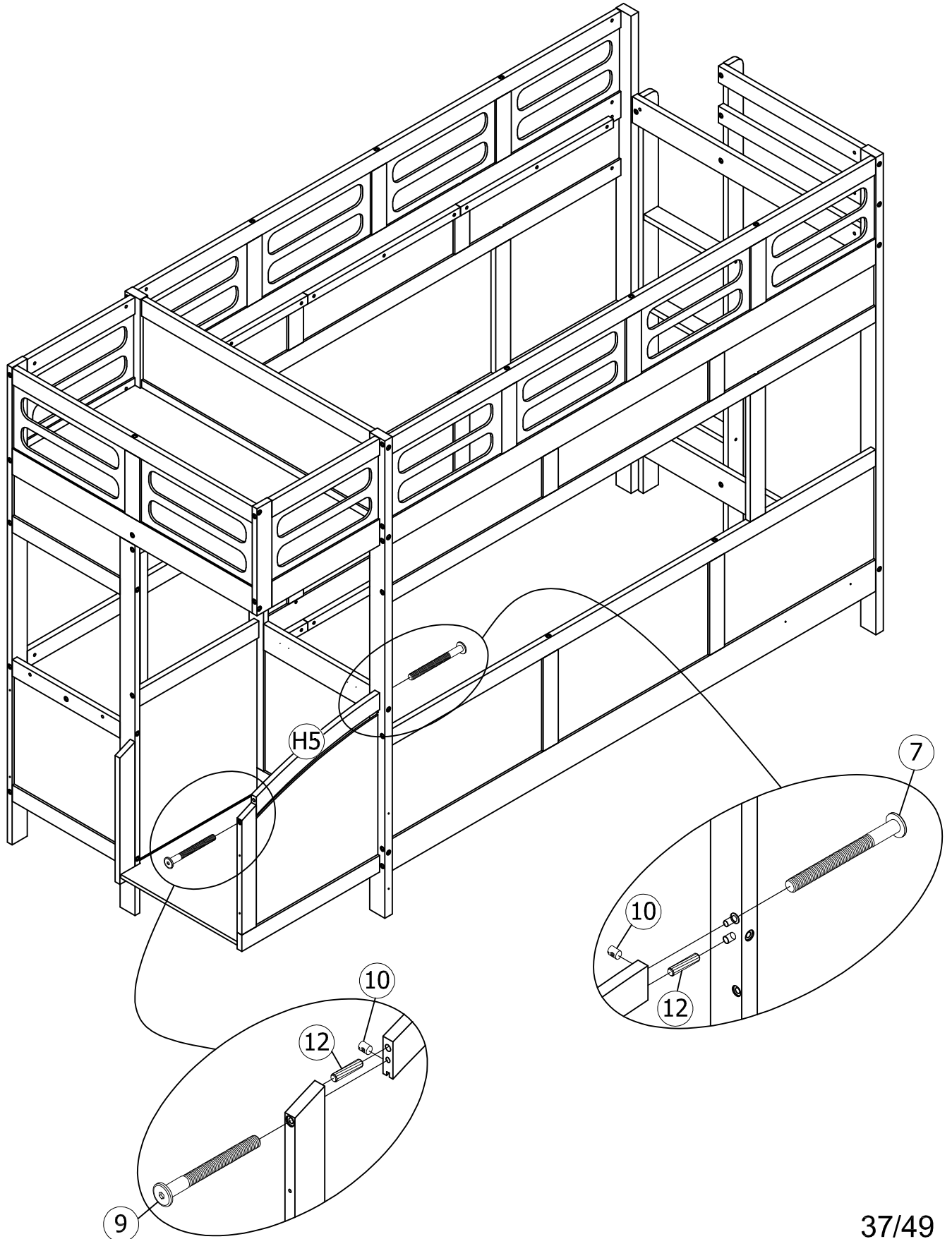


STEP32: Following below illustration.



STEP33: Following below illustration.

9	12	10	7
			
1(pc)	2(pcs)	2(pcs)	1(pc)

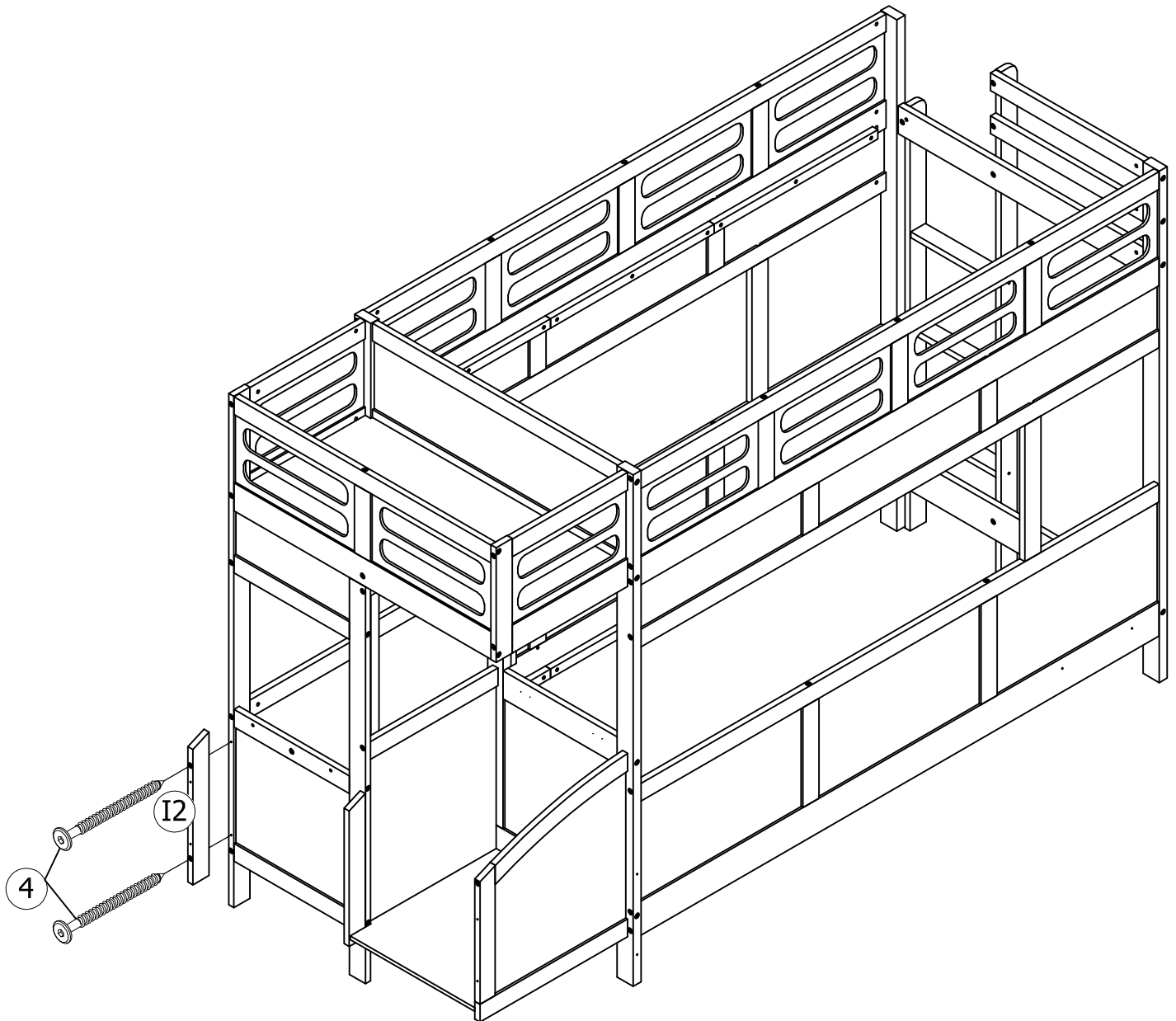


STEP34: Following below illustration.

4



2(pcs)

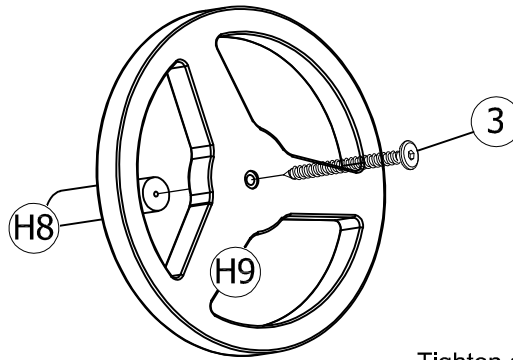


STEP35: Following below illustration.

3



1(pc)



Tighten and then loosen by 1/4 turn

STEP36: Following below illustration.

18

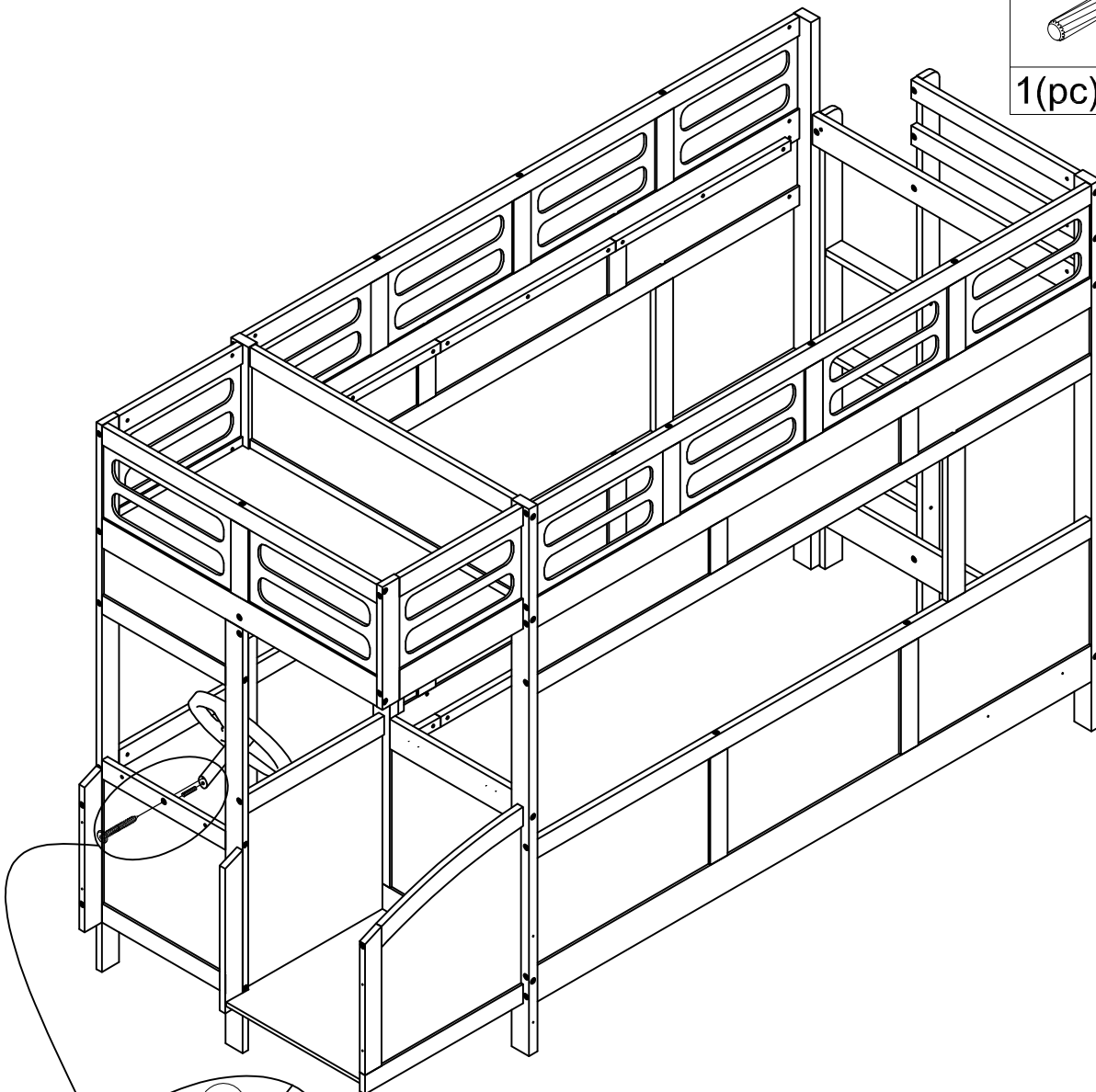


1(pc)

2



1(pc)

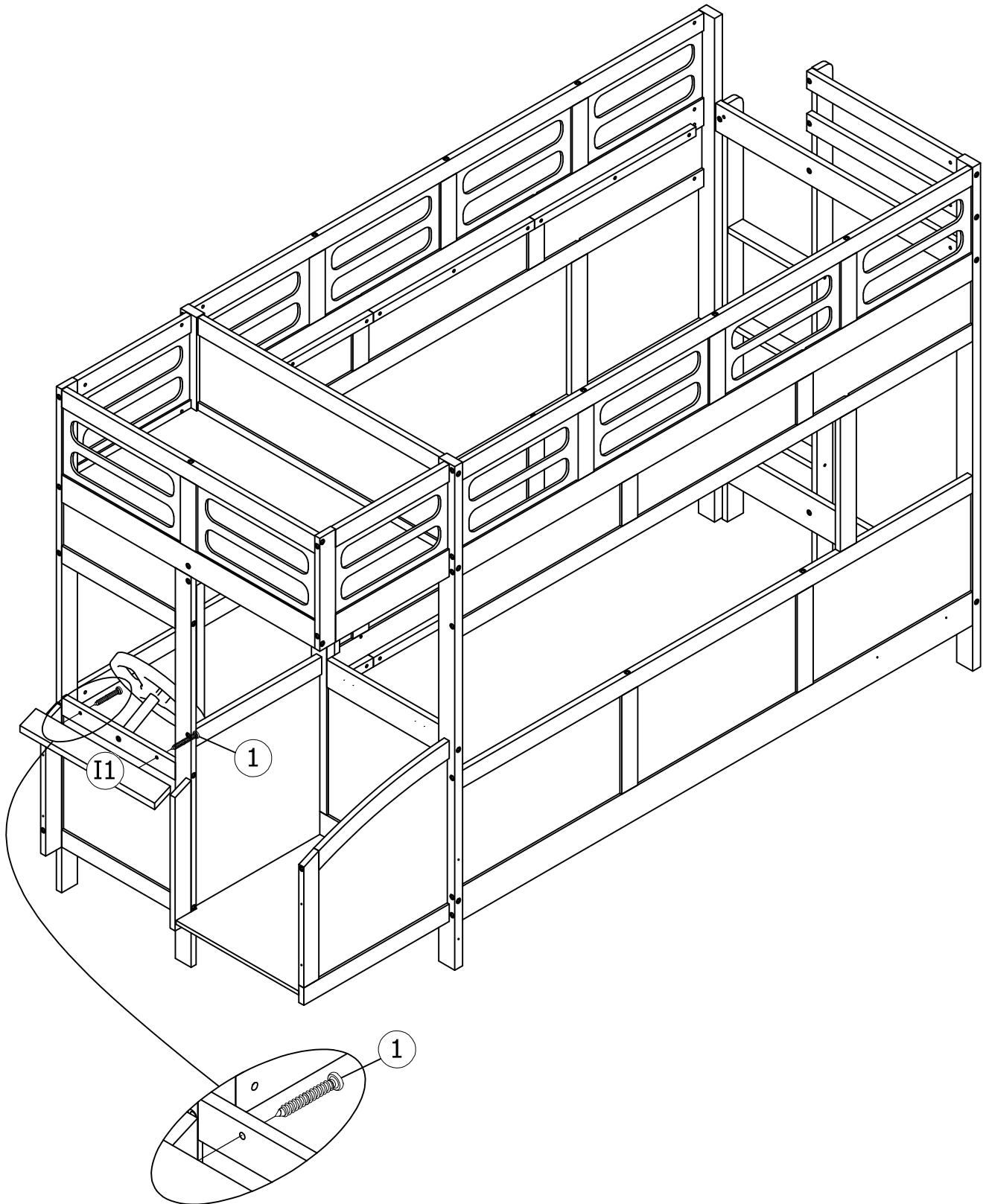


STEP37: Following below illustration.

1

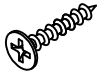


2(pcs)

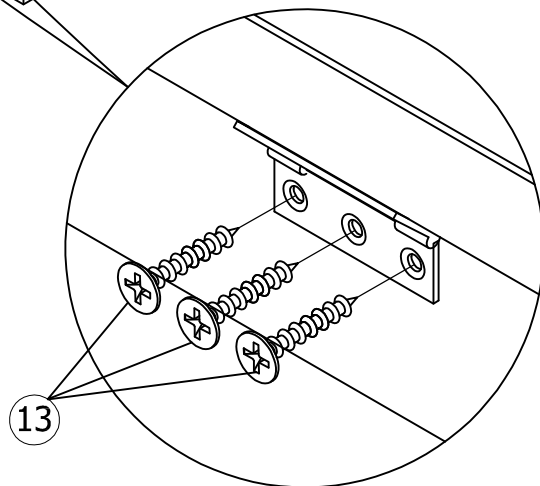
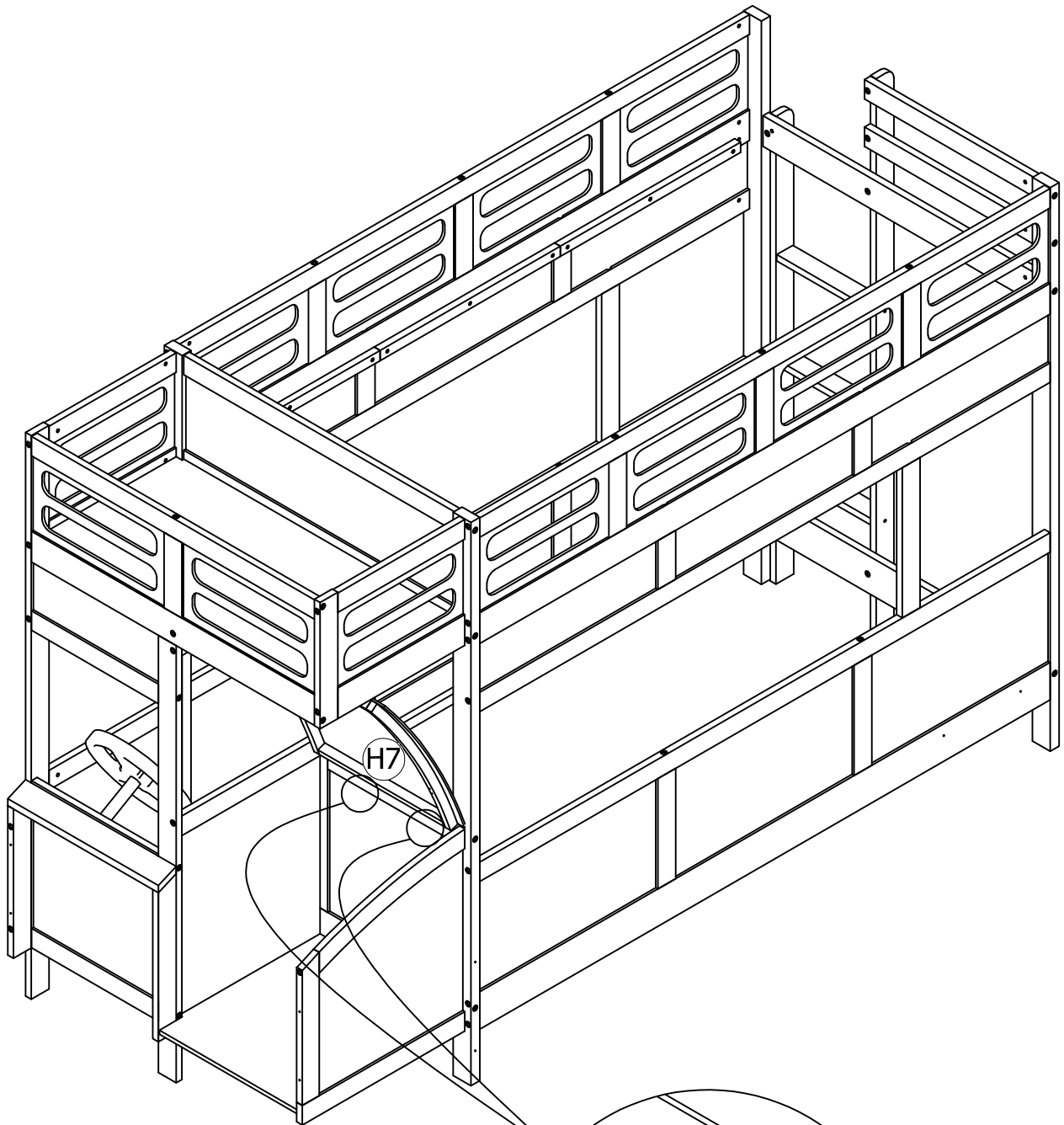


STEP38: Following below illustration.


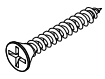
13

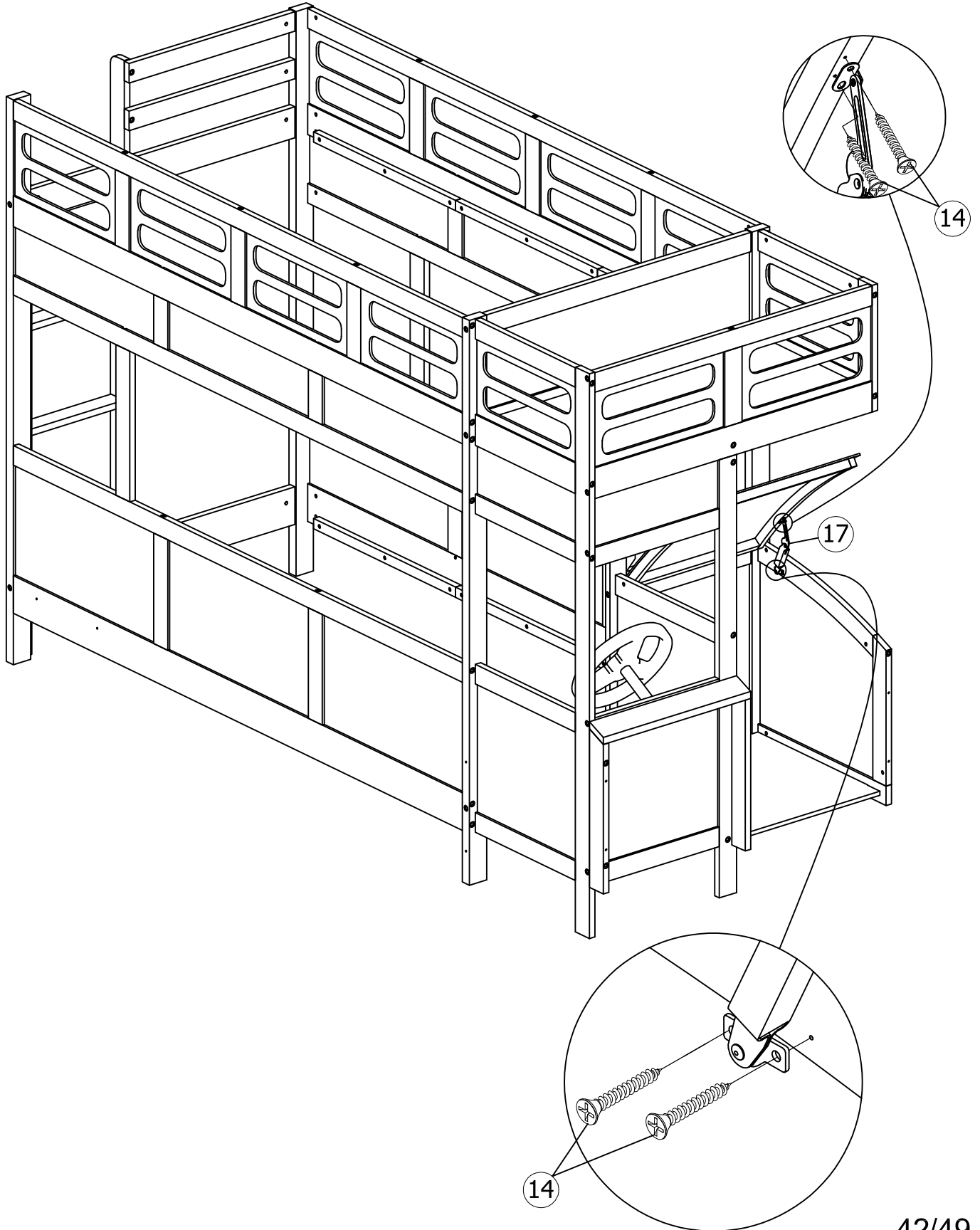


6(pcs)



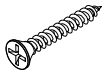
STEP39: Following below illustration.

17	14
	
1(pc)	4(pcs)

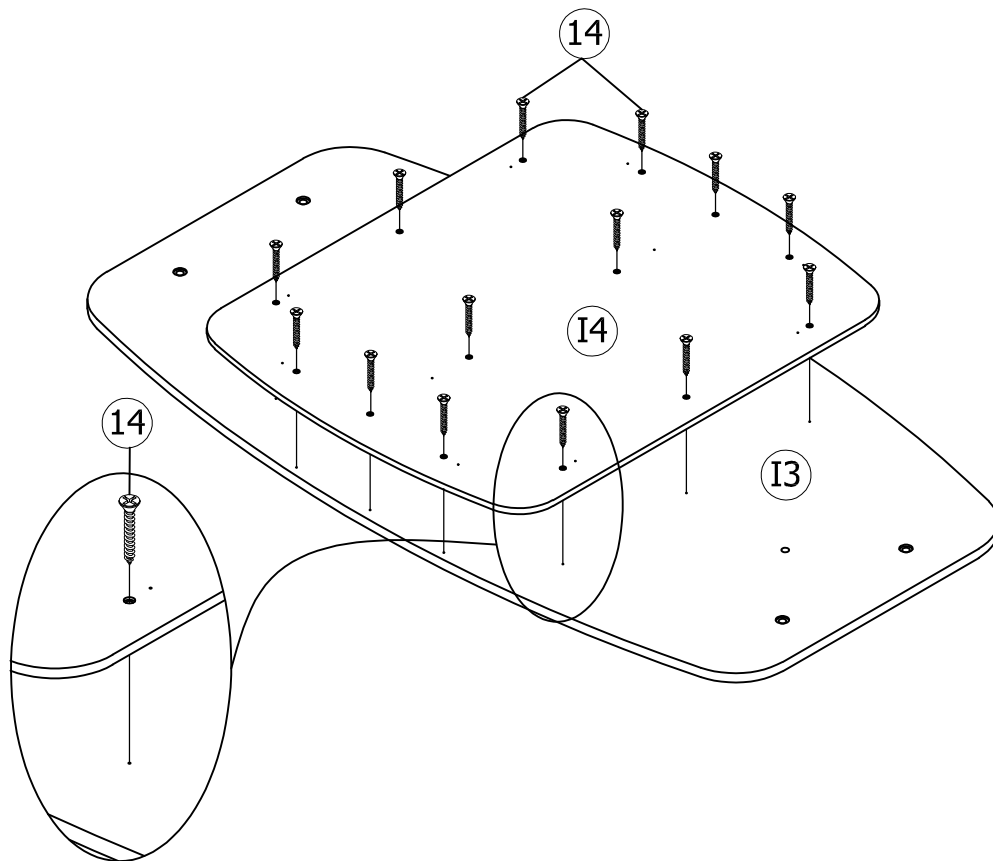


STEP40: Following below illustration.

14

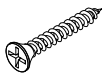


14(pcs)

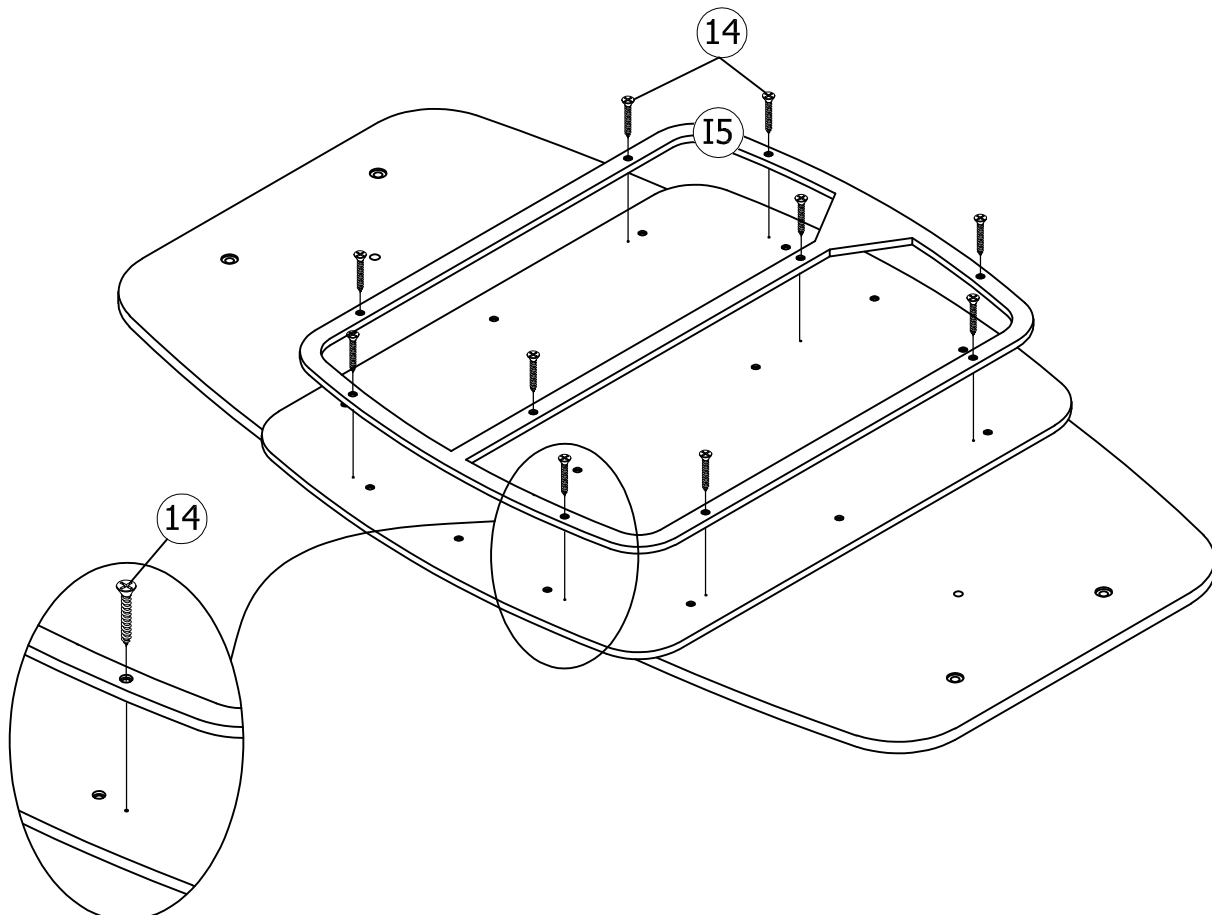


STEP41: Following below illustration.

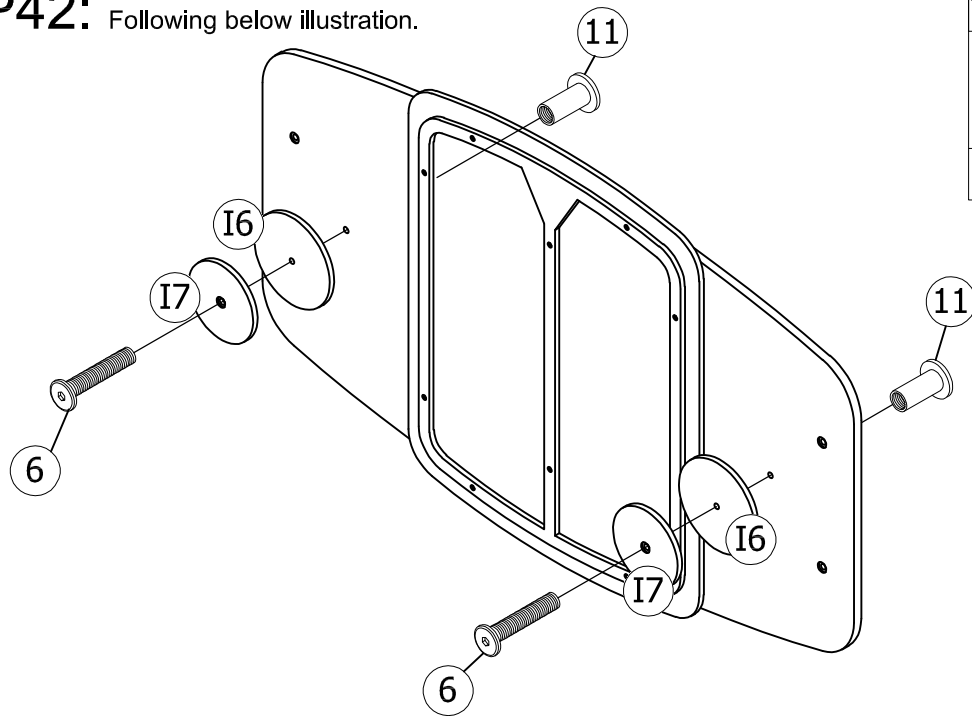
14


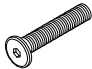


10(pcs)

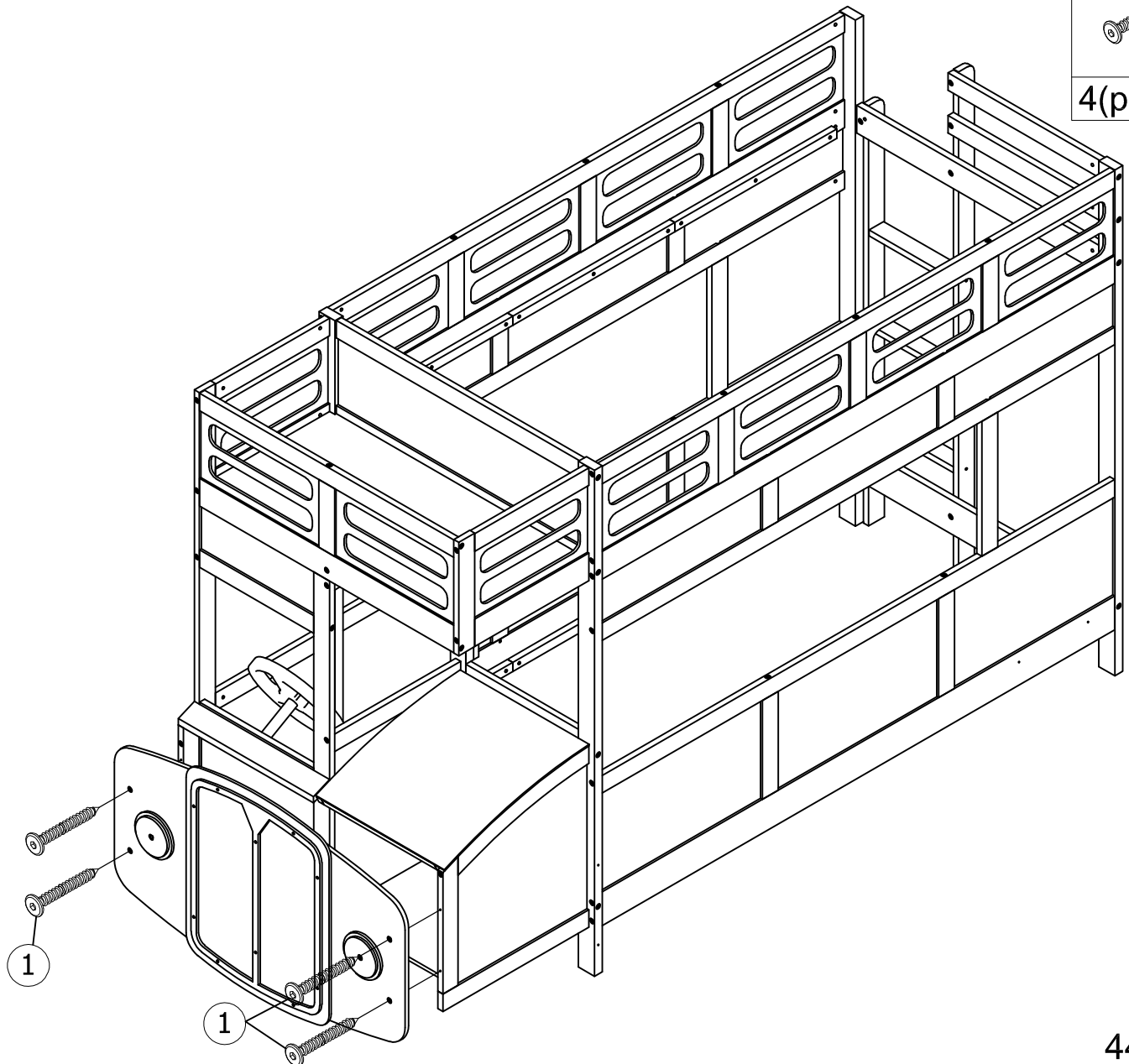



STEP42: Following below illustration.



11	6
	
2(pcs)	2(pcs)

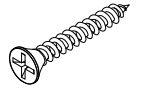
STEP43: Following below illustration.



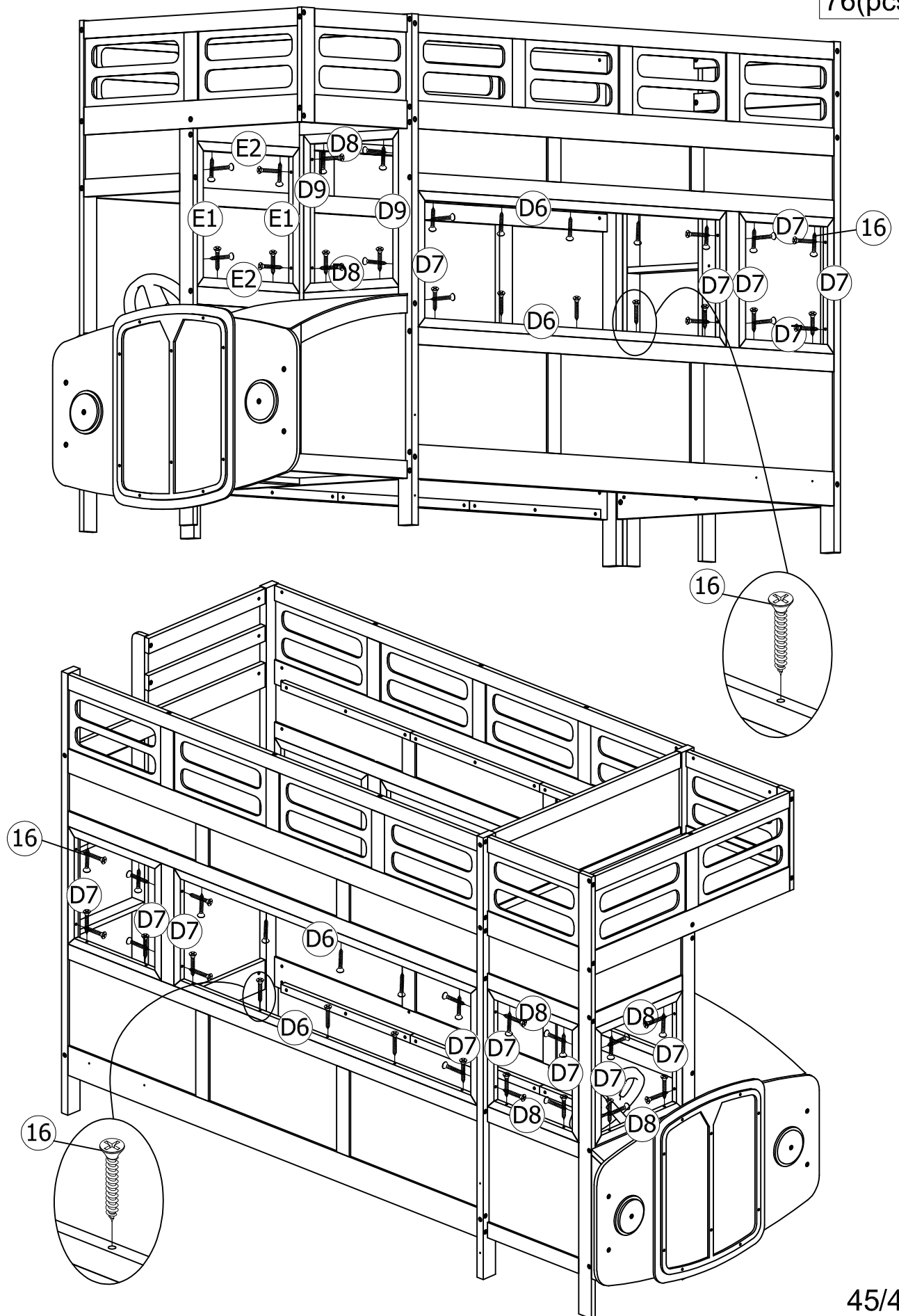
1

4(pcs)

STEP44: Following below illustration.


16

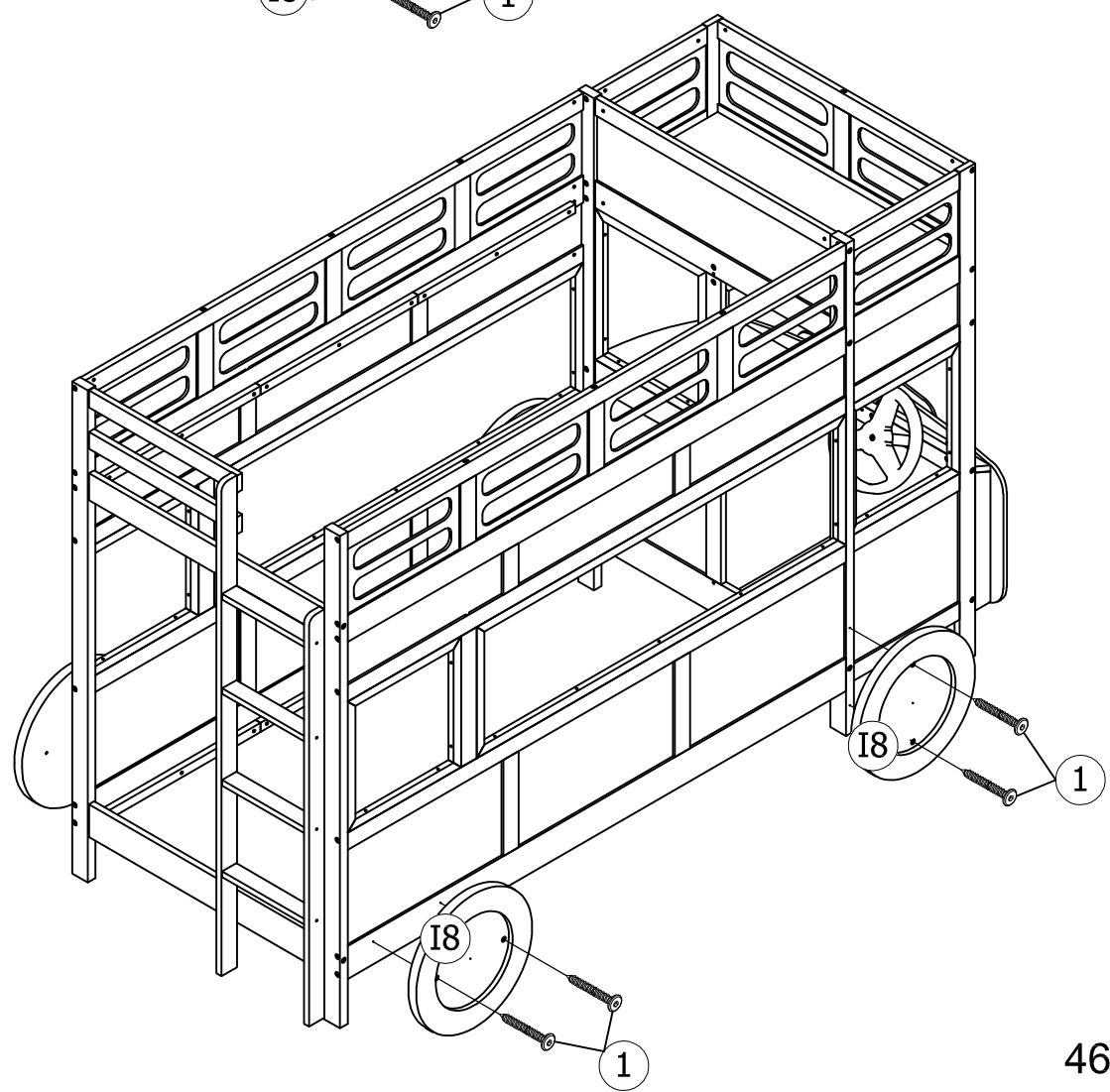
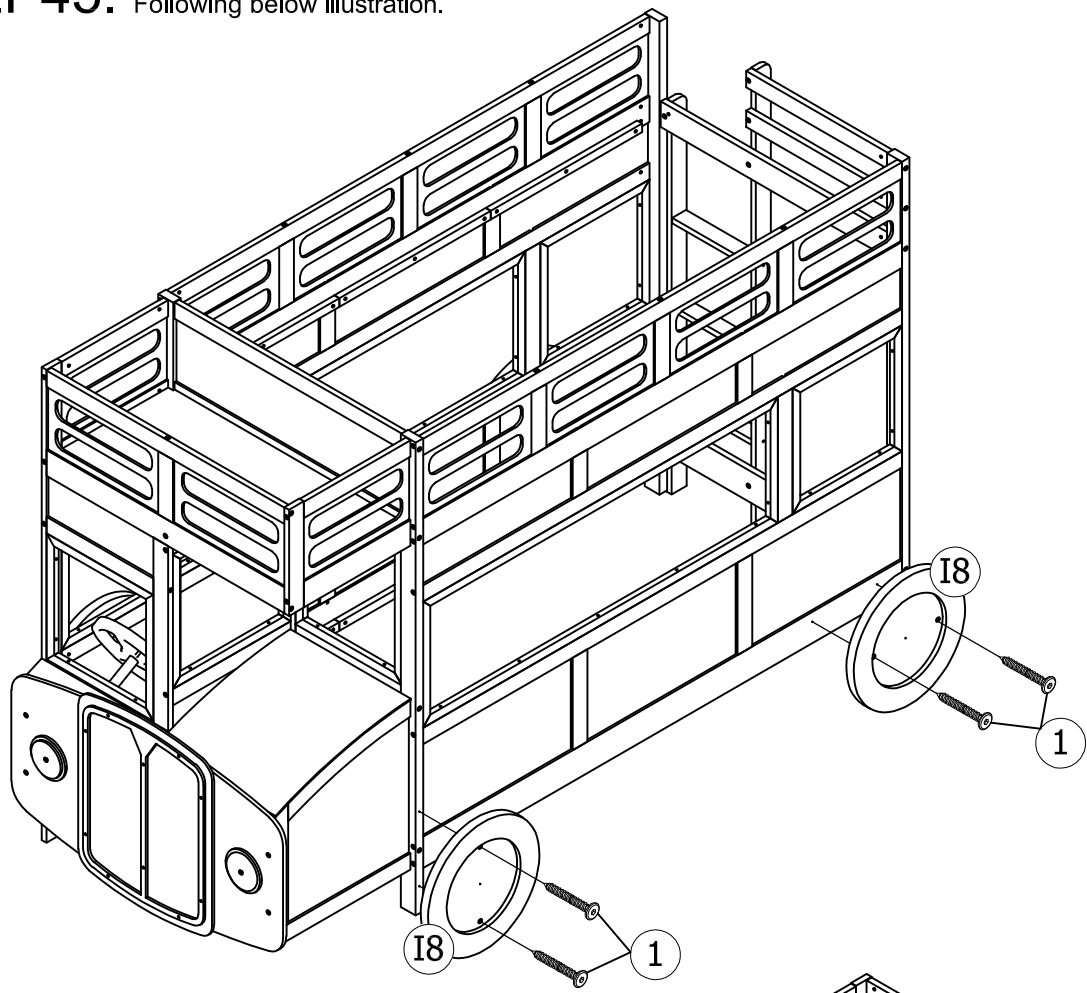


76(pcs)



STEP45: Following below illustration.

1

8(pcs)

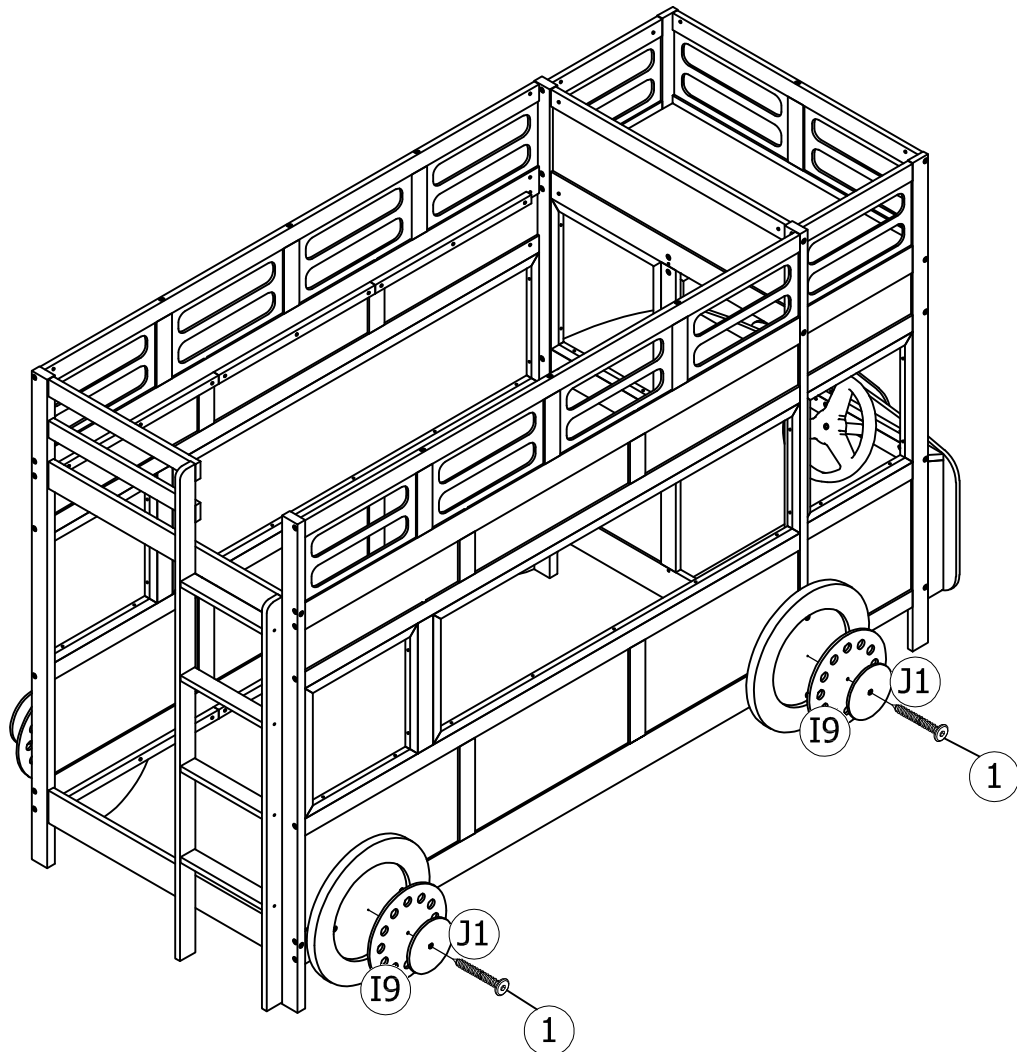
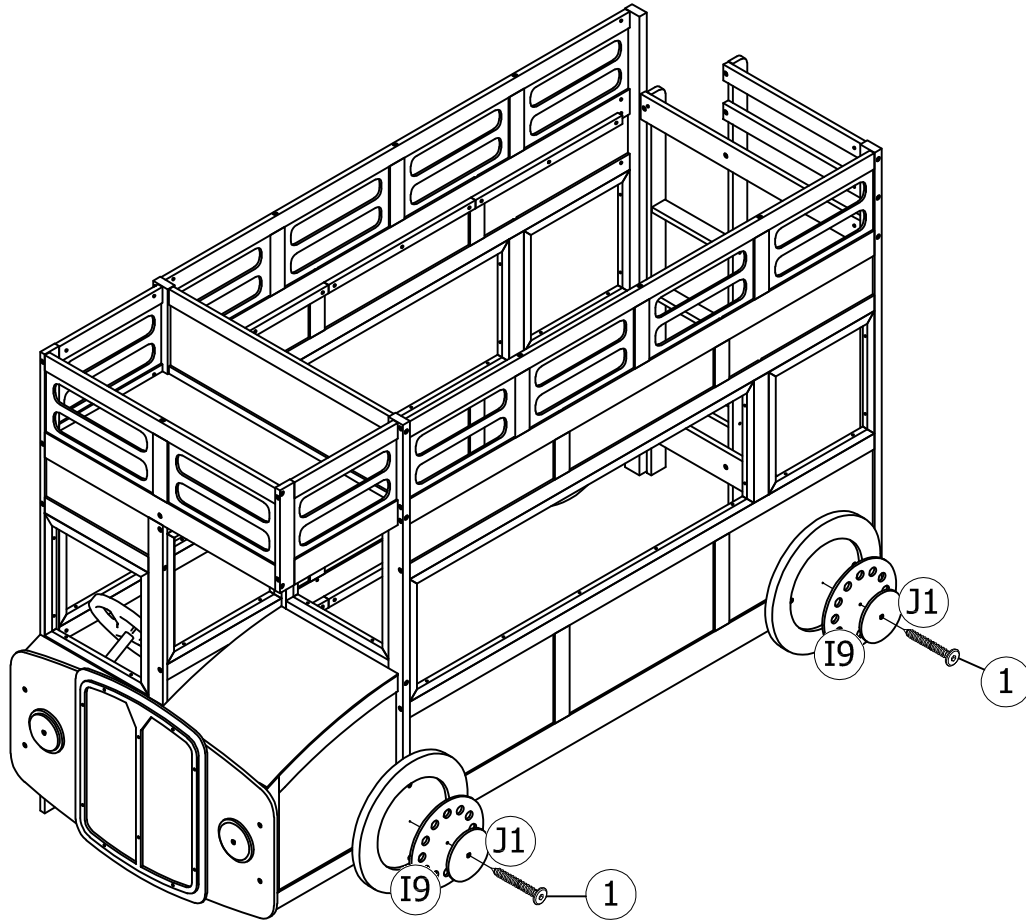


STEP46: Following below illustration.

1

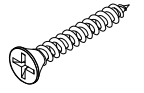


4(pcs)

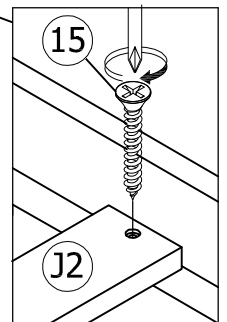
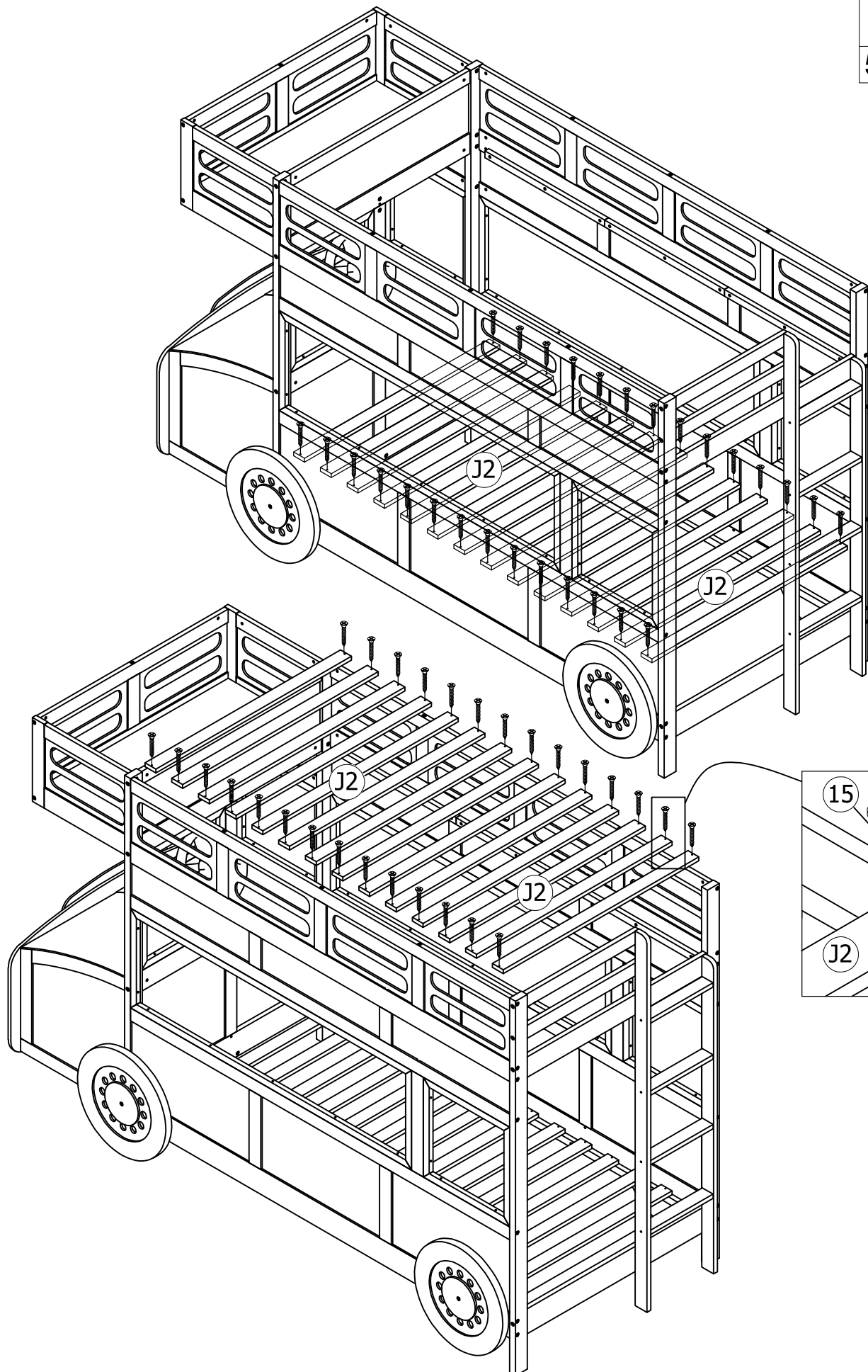


STEP47: Following below illustration.

15



56(pcs)



FINISH:

