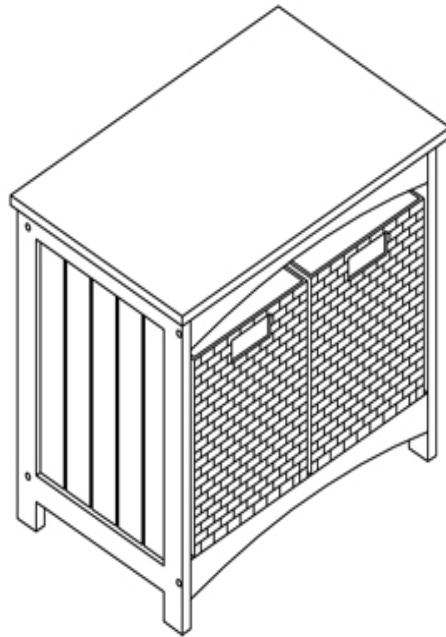


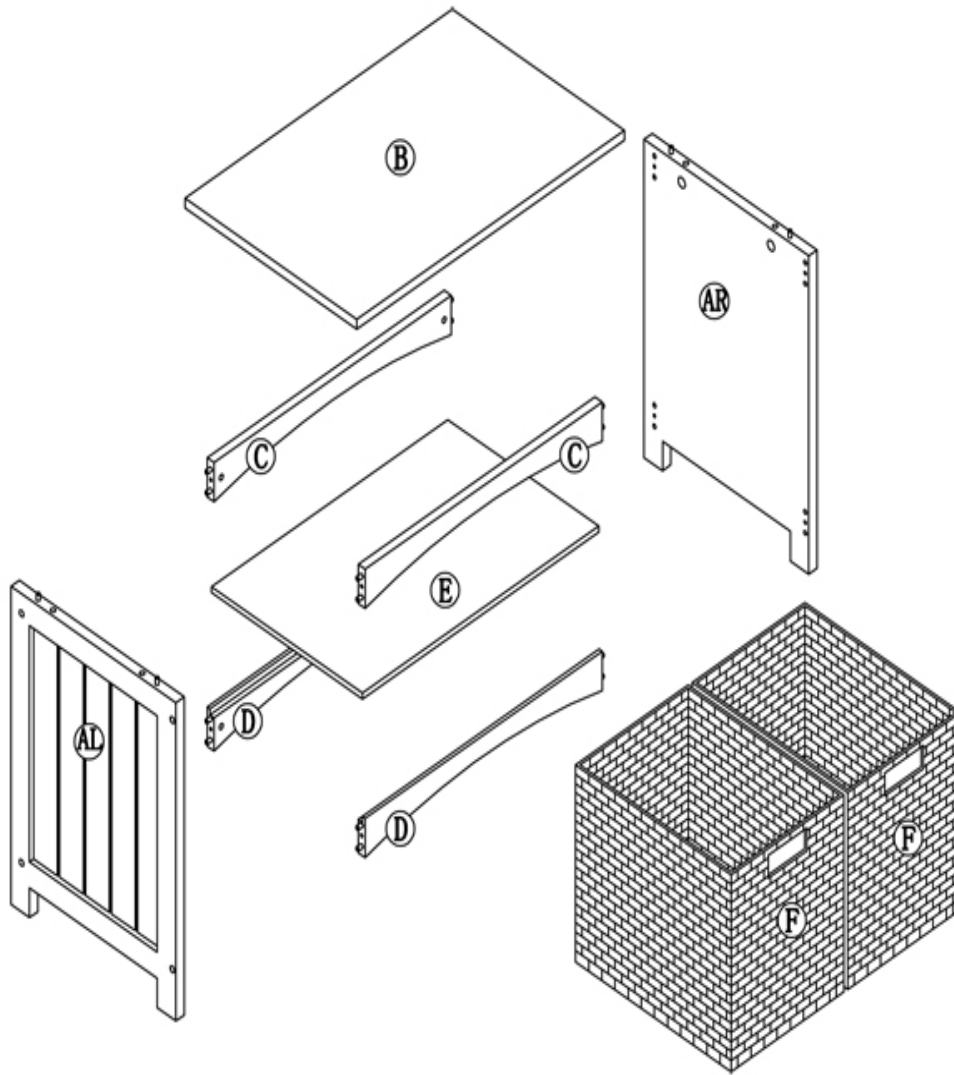
ASSEMBLY GUIDE



Note: This instruction booklet contains important safety information, please read and keep for future reference.

PARTS IDENTIFICATION

- Ensure that all parts and components are located before beginning assembly. Parts are labeled to help distinguish similar parts from each other. Use this PARTS IDENTIFICATION to help identify similar parts.
- Assemble on a soft surface to prevent damage to the product finish.
- Two people are needed for assembly.
- Estimated assembly time is approximately 1 hour.

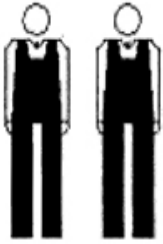


(AL)LEFT PANEL-1PC
(C)BAR-2PCS
(F)BASKET-2PCS

(AR)RIGHT PANEL-1PC
(D)BAR-2PCS

(B)COVER BOARD-1PC
(E)BOTTOM BOARD-1PC

HARDWARE IDENTIFICATION



(R1)NUT-8PCS

(R2)FLAT HEAD SCREW
ST3.5X40-8PCS

TOOL REQUIRED



PHILLIPS HEAD
SCREWDRIVER



SHORT FLAT
SCREWDRIVER



(R3)CAM BOLT-4PCS

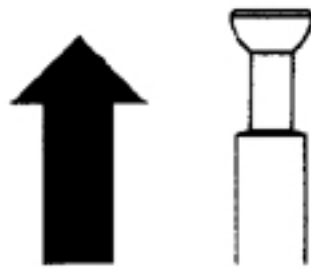
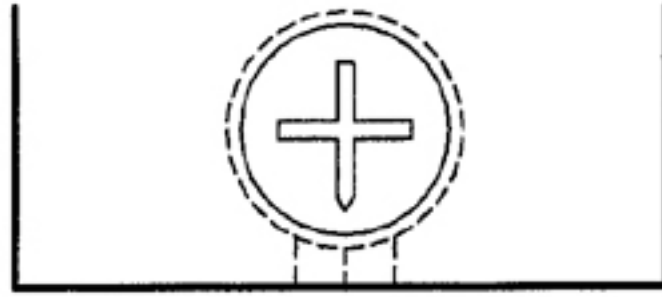
(R4)CAM LOCK-4PCS



(R5)PLASTIC CAP-8PCS



CAM LOCK SYSTEM



(1)

CORRECT



(2)

WRONG

Ensure starting position is correct, adjust cam bolt by pushing or pulling during assembly. Turn clockwise until secure.



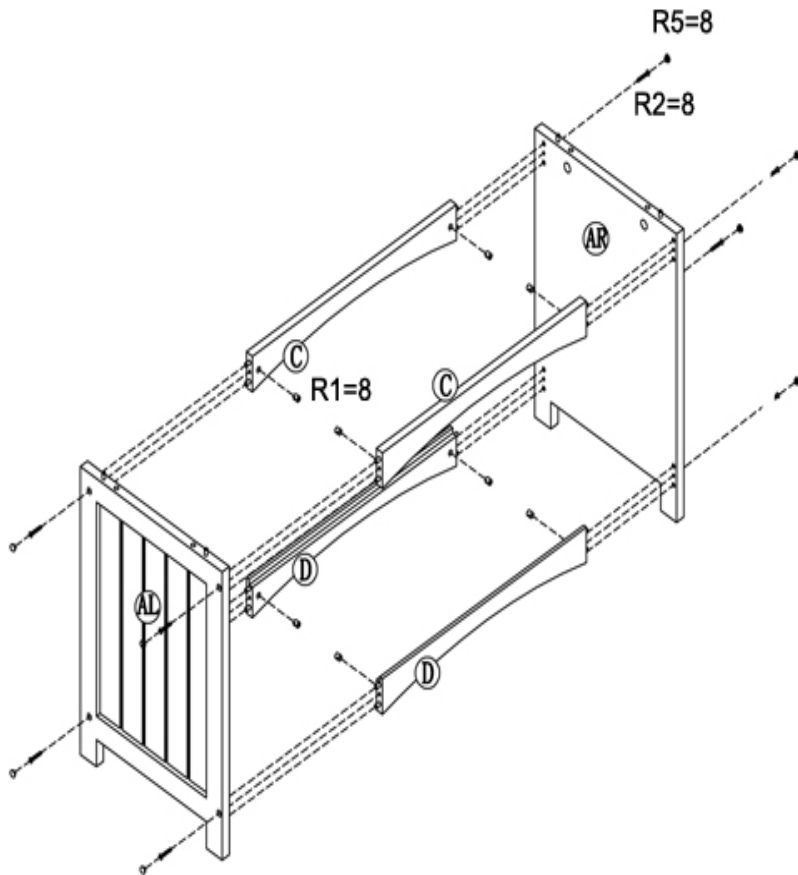
(R1)NUT:8PCS



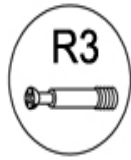
(R2)FLAT HEAD SCREW
ST3.5X40:8PCS



(R5)PLASTIC CAP:8PCS

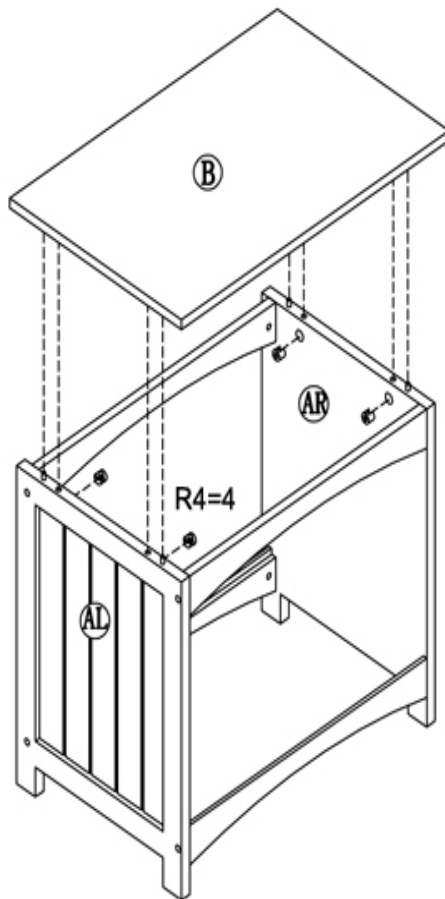
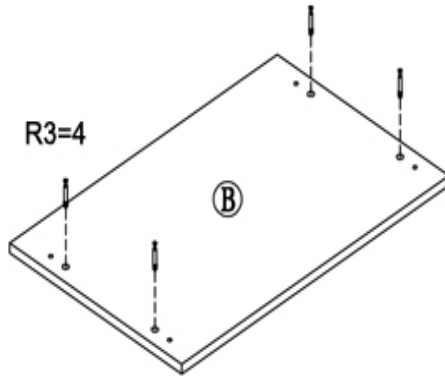


- a) Fasten bar C&D to left panel AL, using 4 flat head screw R2 (ST3.5X40) and 4 nut R1, then insert 4 plastic cap R5.
- b) Fasten bar C&D to right panel AR, using 4 flat head screw R2 (ST3.5X40) and 4 nut R1, then insert 4 plastic cap R5..



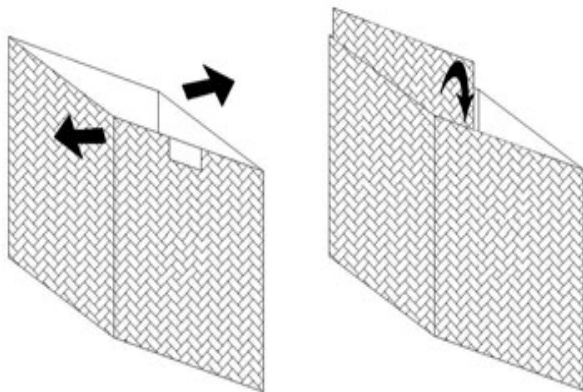
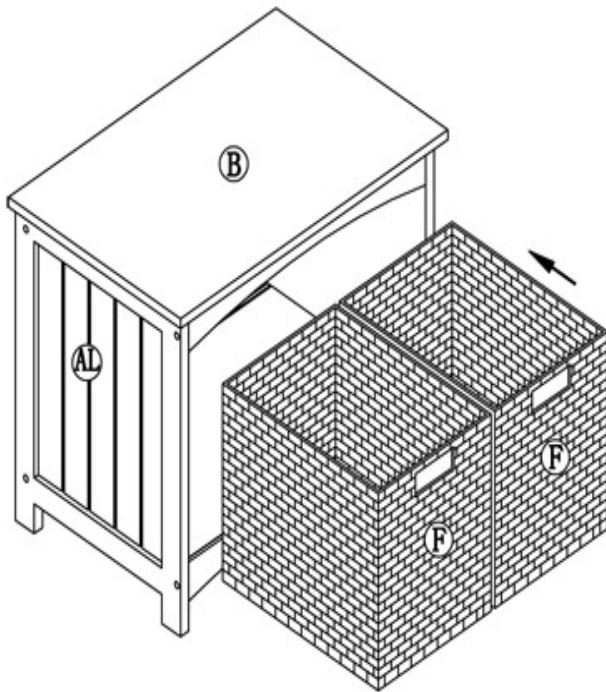
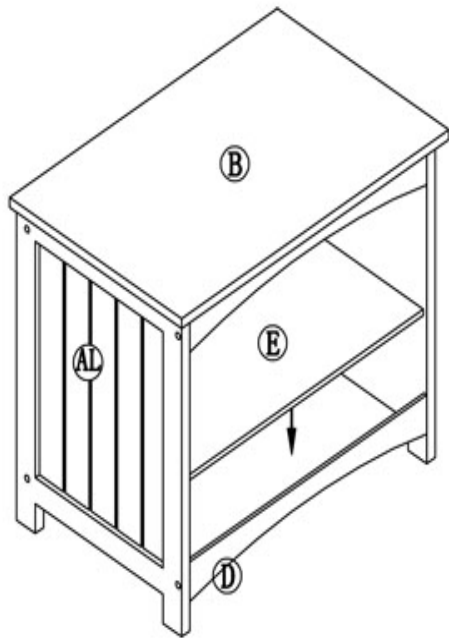
(R3)CAM BOLT:4PCS 

(R4)CAM LOCK:4PCS 



2. a)Fasten 4 cam bolt R3 to cover board B.

b)Fasten cover board B to left and right panel AL&AR, using 4 cam lock R4.



3. a) Put bottom board E on bar D.
- b) Put 2 basket F on bottom board E.

Care and Maintenance of your Furniture

1. Ensure metal plated hinges are kept dry to avoid rusting.
2. Please periodically check all fittings and re-tighten as necessary.
3. Wipe occasionally with a soft cloth slightly dampened with water. Then buff with a dry clean soft cloth.
4. Never allow any kind of liquid to remain on your furniture. Absorption can cause wood to warp or finishes to de-laminate.