

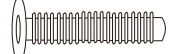

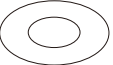
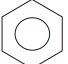

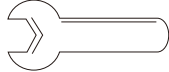



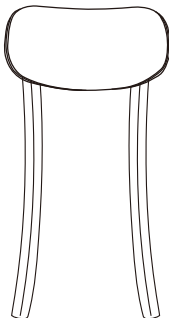
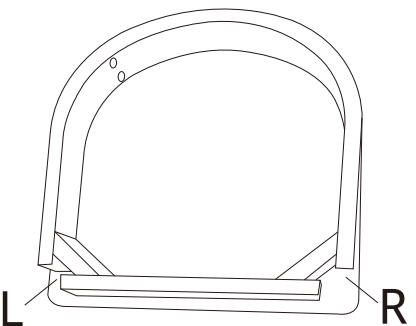
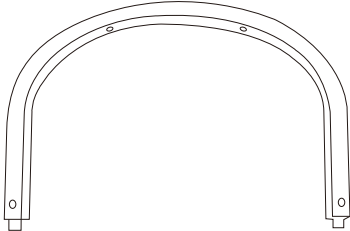
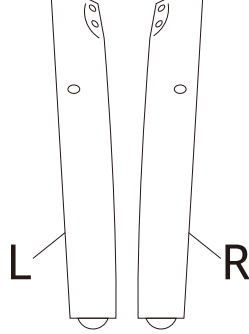
ASSEMBLY INSTRUCTION

MODEL : KD TONY CHAIR ASSEMBLY INSTRUCTION

Please read instruction carefully

- 1) Remove all wrapping materials from the carton box.
- 2) Check PARTS below before assembling.
- 3) Place all wooden parts on a clean, flat and soft surface (e.g carpet or rug) to prevent scratches.
- 4) Do not fully tighten the nuts and bolts until all parts are completely assembled

NO.	COMPONENT	QTY.
A	Bolt 60mm 	4
B	Bolt 50mm 	8
C	Bolt 40mm 	8
D	Screw 	4
E	Washer 	20
F	Nut 	4
	Allen Key 	2
	Wrench 	1
	Driver 	1

COMPONENT			
Back Leg	2	Seat	2
			
Support Bar	2	Front Legs	4
			

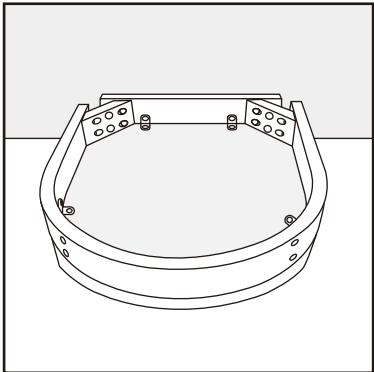
Got Questions?

Contact us directly using the QR code provided :



※ Tighten all bolts and screws after all parts are in place. Keep the tools to tighten when they loosen over time.

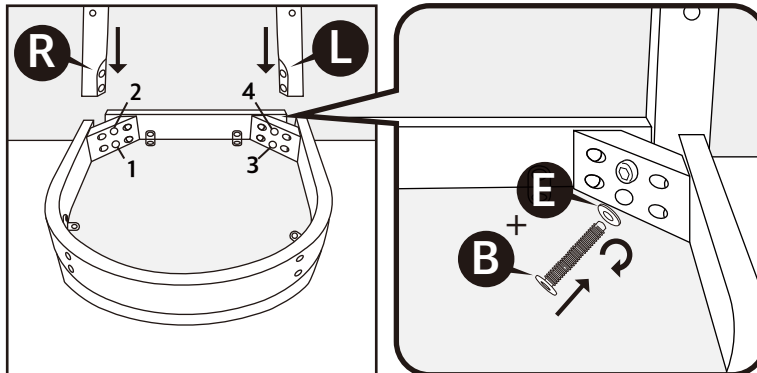
STEP 1



<Step 1>

Place the Seat upside down.
(It's easier to assemble if you use a surface with a little height, like a table)

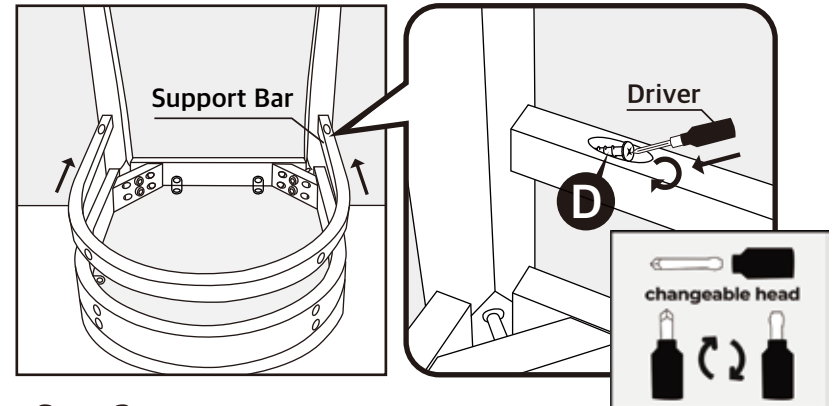
STEP 2



<Step 2>

Use part B and E to place the Front Legs into the Seat.
(Note that the left and right legs are different)

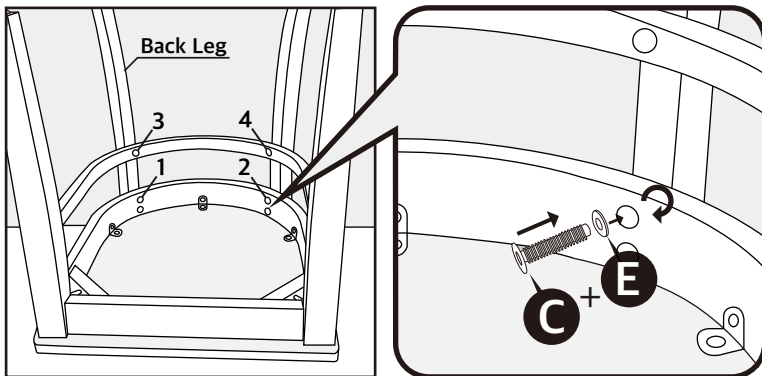
STEP 3



<Step 3>

Put each ends of the Support Bar into the holes in the front legs, and use the driver to tighten part D.

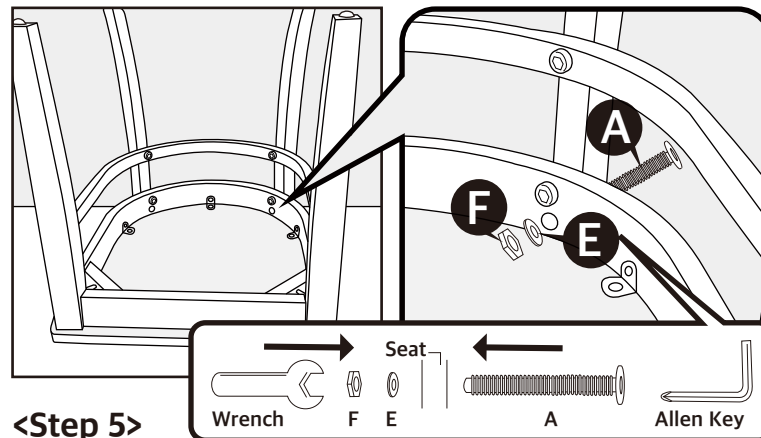
STEP 4



<Step 4>

Use part C and E to place the Back Leg into the back of the Seat.

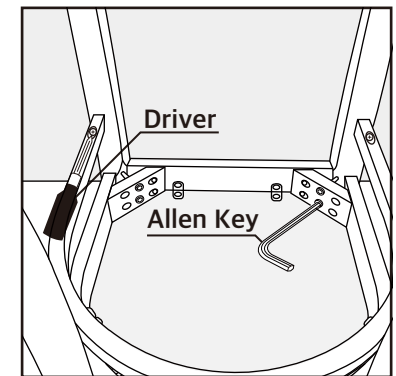
STEP 5



<Step 5>

Put part A through from the Back Leg into the Seat. Tighten on both ends with Allen Key and Wrench.

STEP 6



<Step 6>

Tighten all bolts with hardware provided.
(Fully tightening all bolts and screws before full assembly may result in twisted and wobbly chair)