

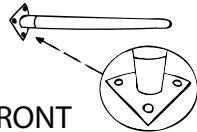
Andrew Chair

Assembly Instructions
Instrucciones De Asamblea
Instructions d'Assemblée

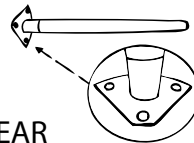
PARTS



A



FRONT
LEG B



REAR
LEG C

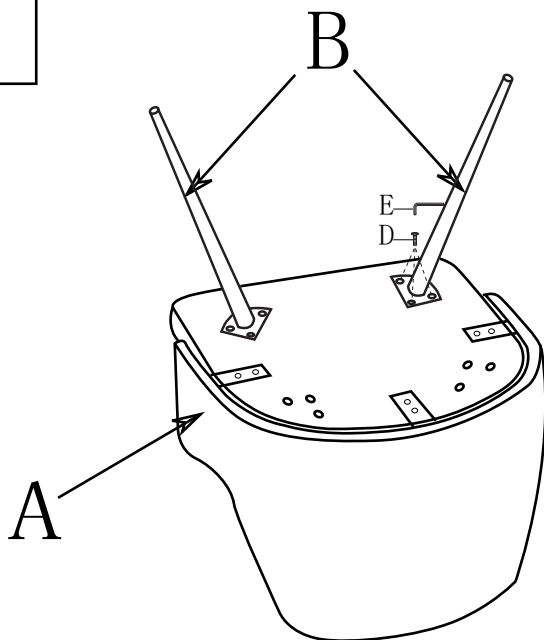


D

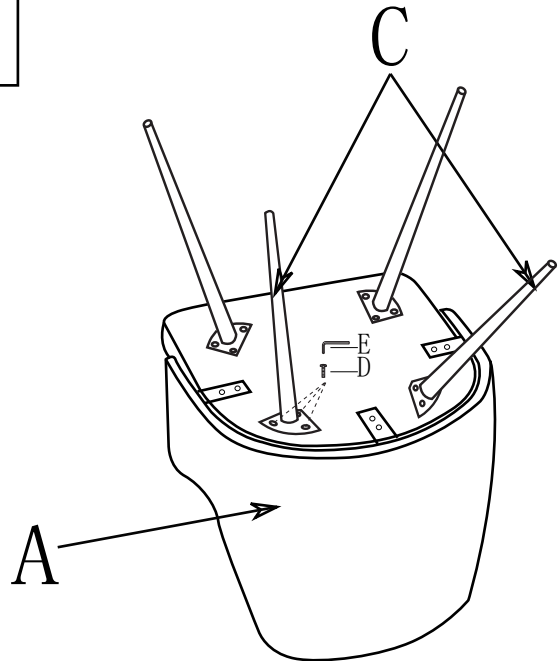


E

1



2



3



SIT TO SECURE



Do not over tighten.
Do not use power tools to assemble.