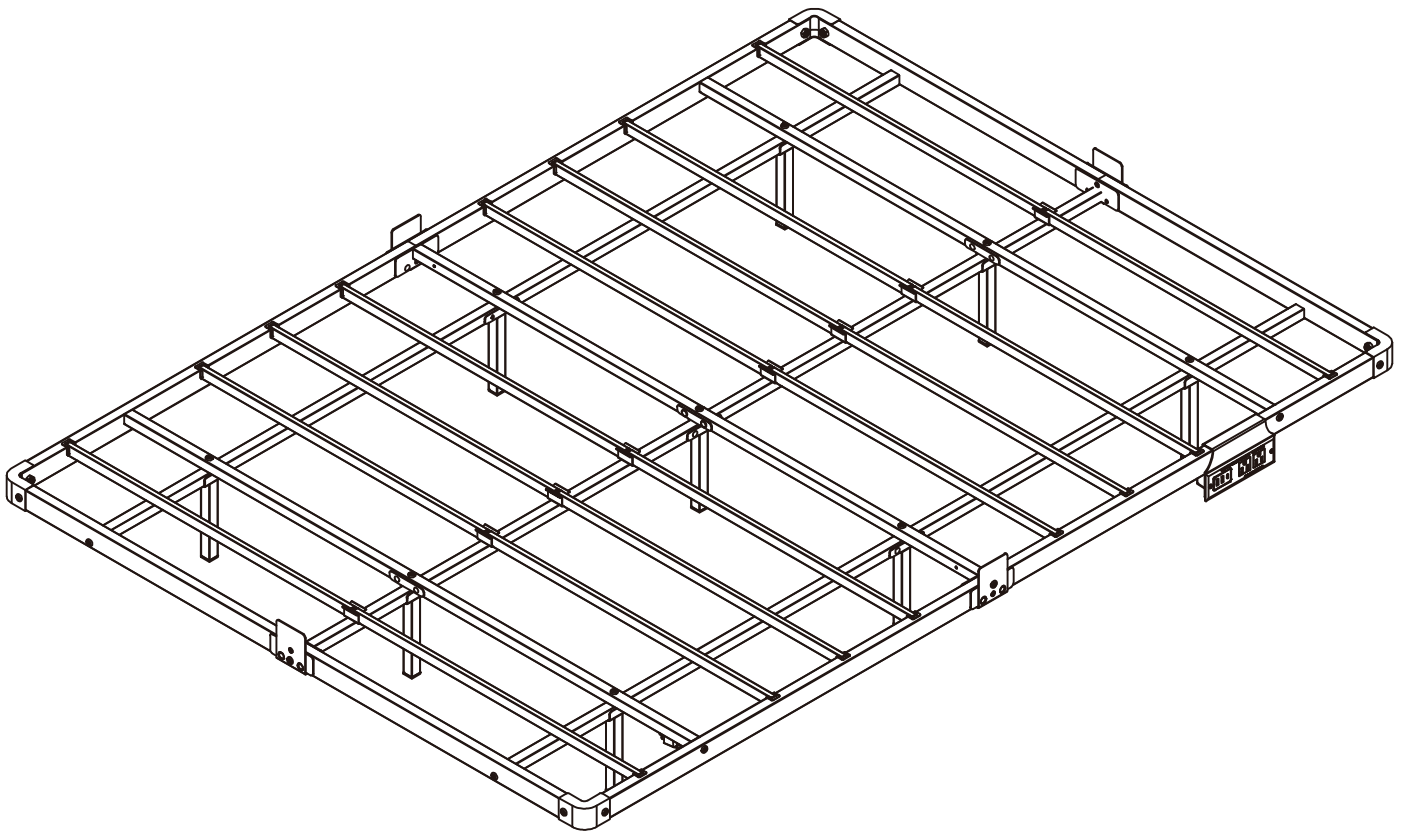


Bed Frames





Basic Guidelines

Please read this manual thoroughly and use the product accordingly.
Keep this manual safely and hand it over when transferring the product.
Contact us for further information or assistance if needed.

Product Introduction and Operating Guidelines

This product is designed exclusively for indoor use, suitable for home or office environment
Perform assembly on a dry, flat surface.
Align all pre-drilled holes, gently insert screws, and tighten them one by one.
After assembly, check the stability of all parts to ensure product stability.
Avoid prolonged exposure to damp environments to prevent mold growth.
Regularly inspect screws for looseness and tighten them if necessary.

Safety Warnings

Do not allow children to participate in product assembly due to the risk of swallowing or inhaling small parts.
Children should not stand, climb, or play on the product to prevent serious bodily harm from falling.
Keep plastic bags away from children to avoid potential hazards such as suffocation.
Ensure the product is kept away from sharp objects and corrosive chemicals to prevent damage to the product or bodily harm.

Warranty and Maintenance

This product comes with a limited warranty. Refer to the product packaging or contact customer service for specific warranty terms.
Keep the product dry, clean, and away from direct sunlight and extreme temperatures.

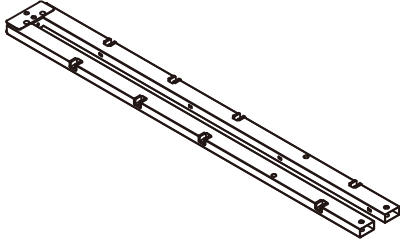
Customer Service and Support

If you encounter any issues or have questions during use, please contact our customer service email for assistance. We are here to help.

* Please adhere to these guidelines and warnings to ensure your safety and the proper use of the product. Thank you for choosing our product. We wish you a pleasant life!

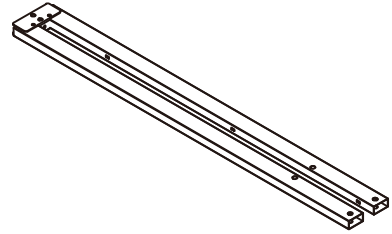
Parts List

①



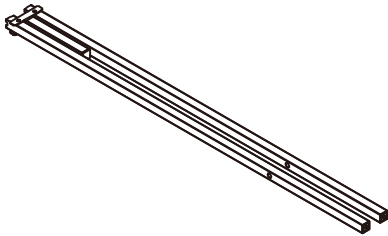
2 PCS

②



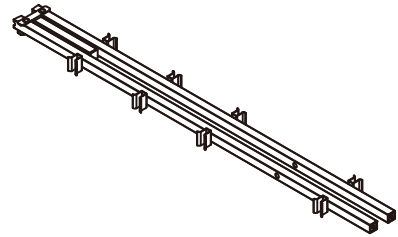
2 PCS

③



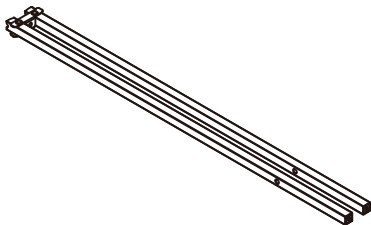
2 PCS

④



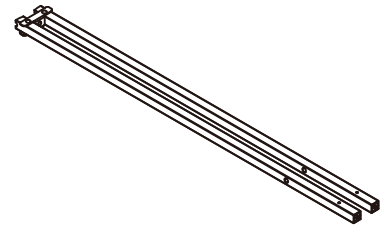
1 PCS

⑤



2 PCS

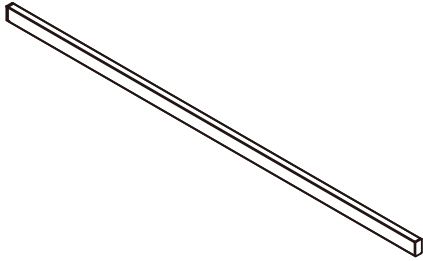
⑥



1 PCS

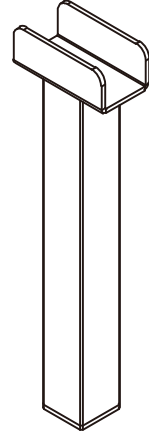
Parts List

7



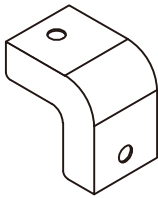
16 PCS

8



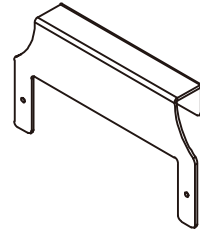
6 PCS

9



4 PCS

10



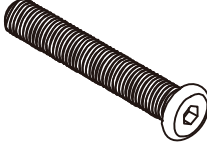
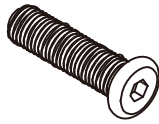
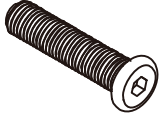


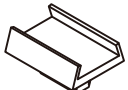
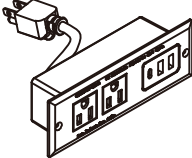


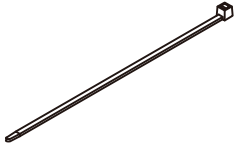
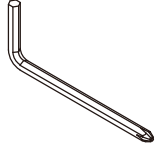

1 PCS

11

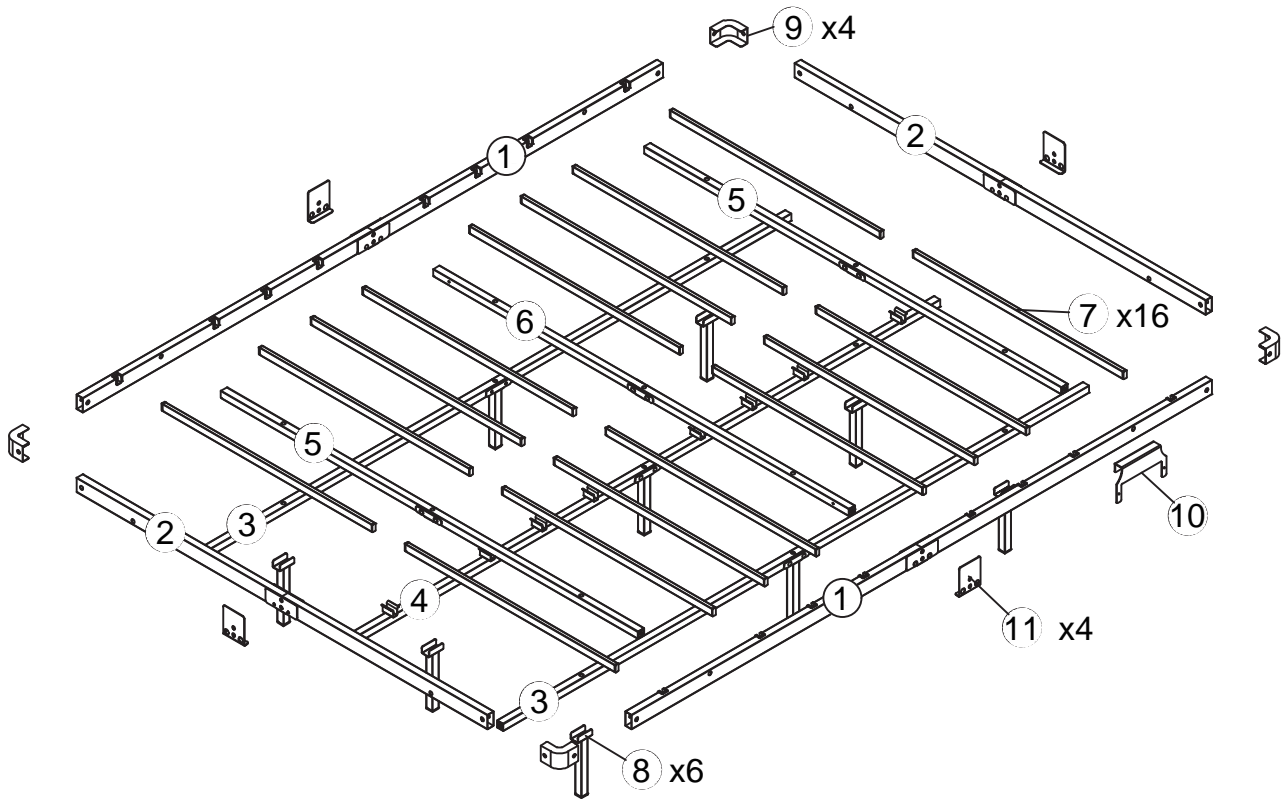


4 PCS

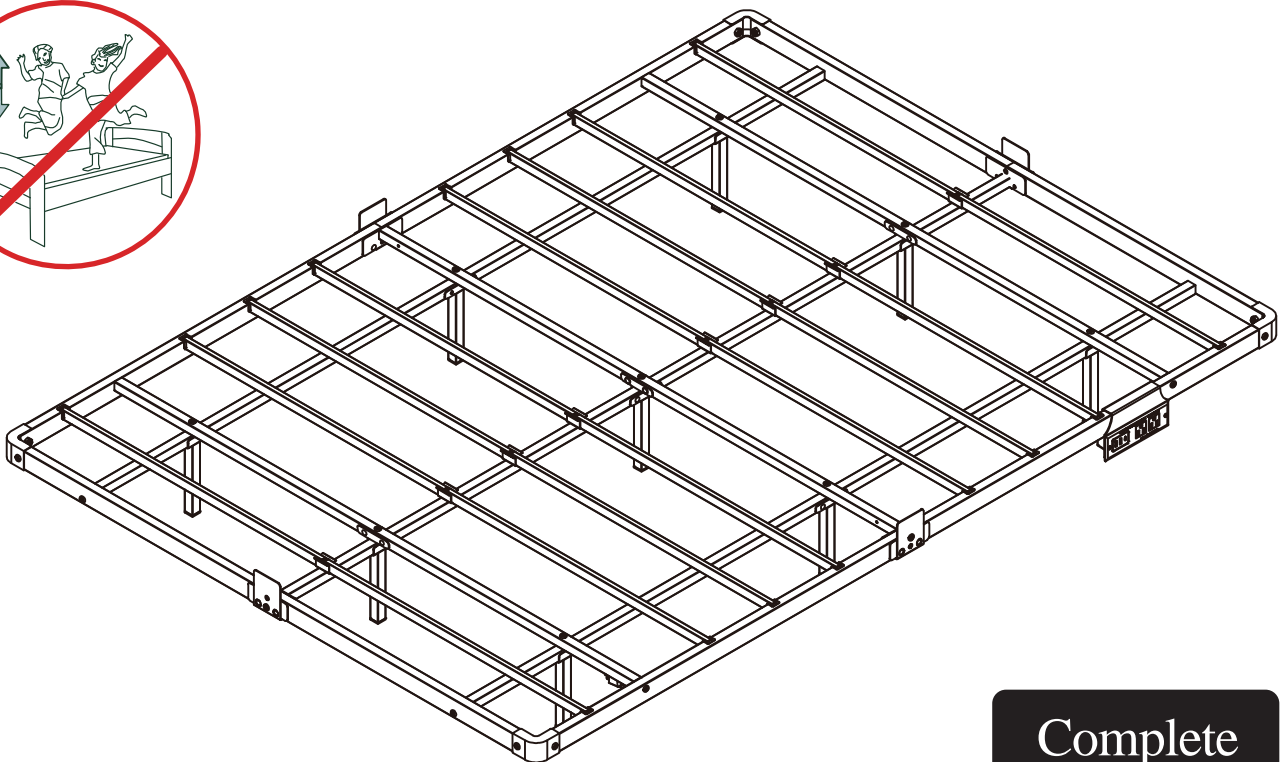
Parts List

<p style="text-align: right;">(A)</p>  <p>9 PCS M8*55</p>	<p style="text-align: right;">(B)</p>  <p>16 PCS M8*30</p>	<p style="text-align: right;">(C)</p>  <p>4 PCS M8*35</p>
<p style="text-align: right;">(D)</p>  <p>8 PCS</p>	<p style="text-align: right;">(E)</p>  <p>8 PCS</p>	<p style="text-align: right;">(F)</p>  <p>32 PCS</p>
<p style="text-align: right;">(G)</p>  <p>1 PCS</p>	<p style="text-align: right;">(H)</p>  <p>1 PCS</p>	<p style="text-align: right;">(I)</p>  <p>2 PC M4*6</p>
<p style="text-align: right;">(J)</p>  <p>20 PCS 200mm</p>	<p style="text-align: right;">(K)</p>  <p>1 PCS M4</p>	<p style="text-align: right;">(L)</p>  <p>1 PC M13</p>

Exploden



Note: When installing a single screw, avoid tightening it too much; tighten each screw individually after the screws are installed



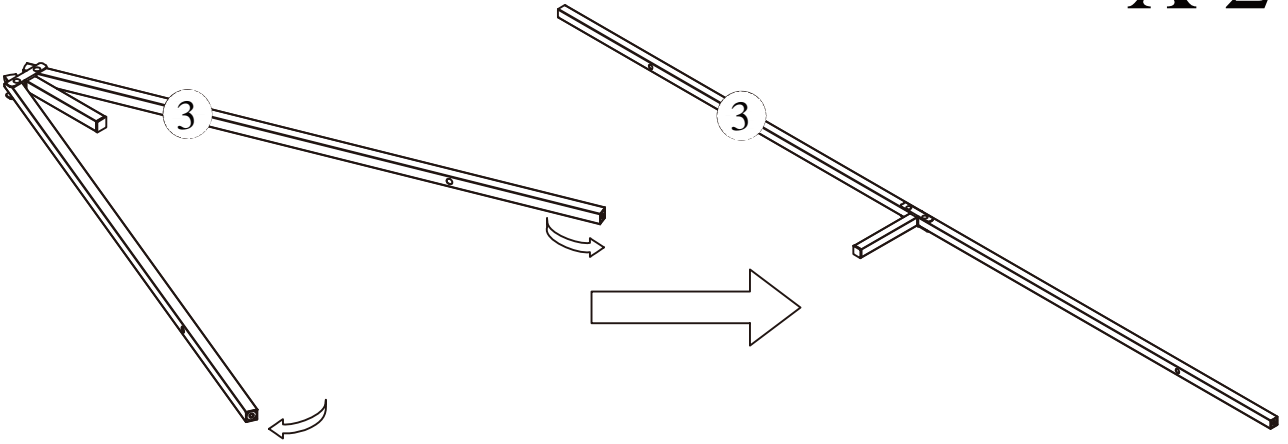
Complete

Install

Step 1

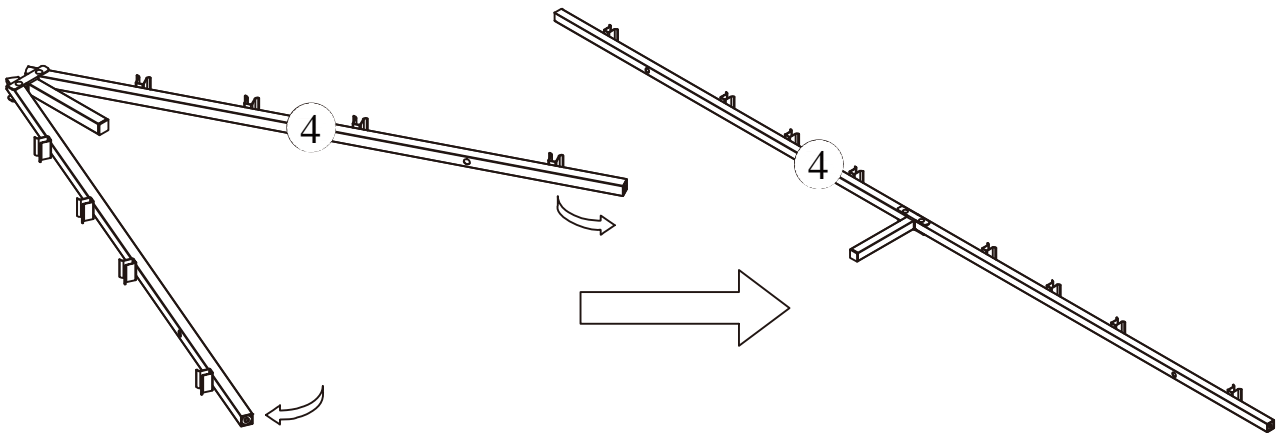
Expand part 3

X 2

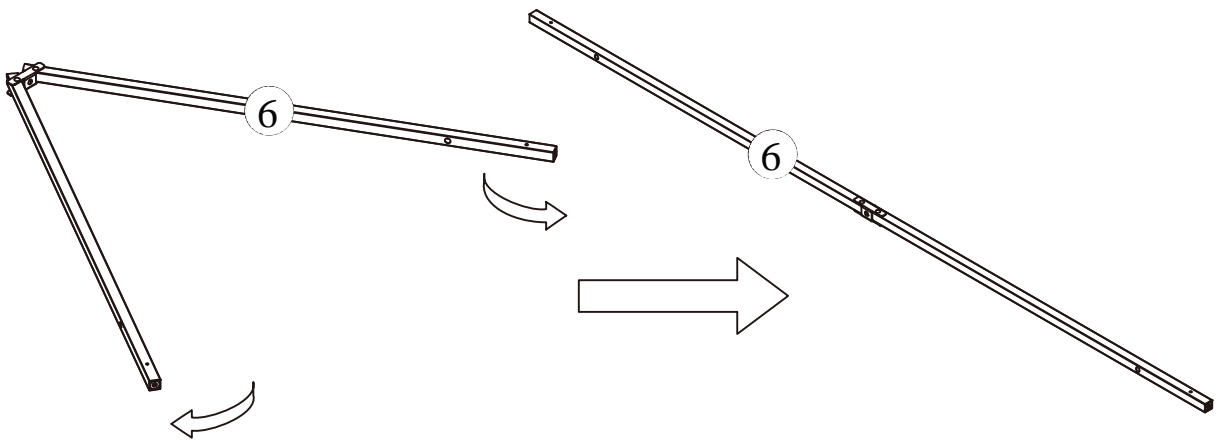


Step 2

Expand part 4

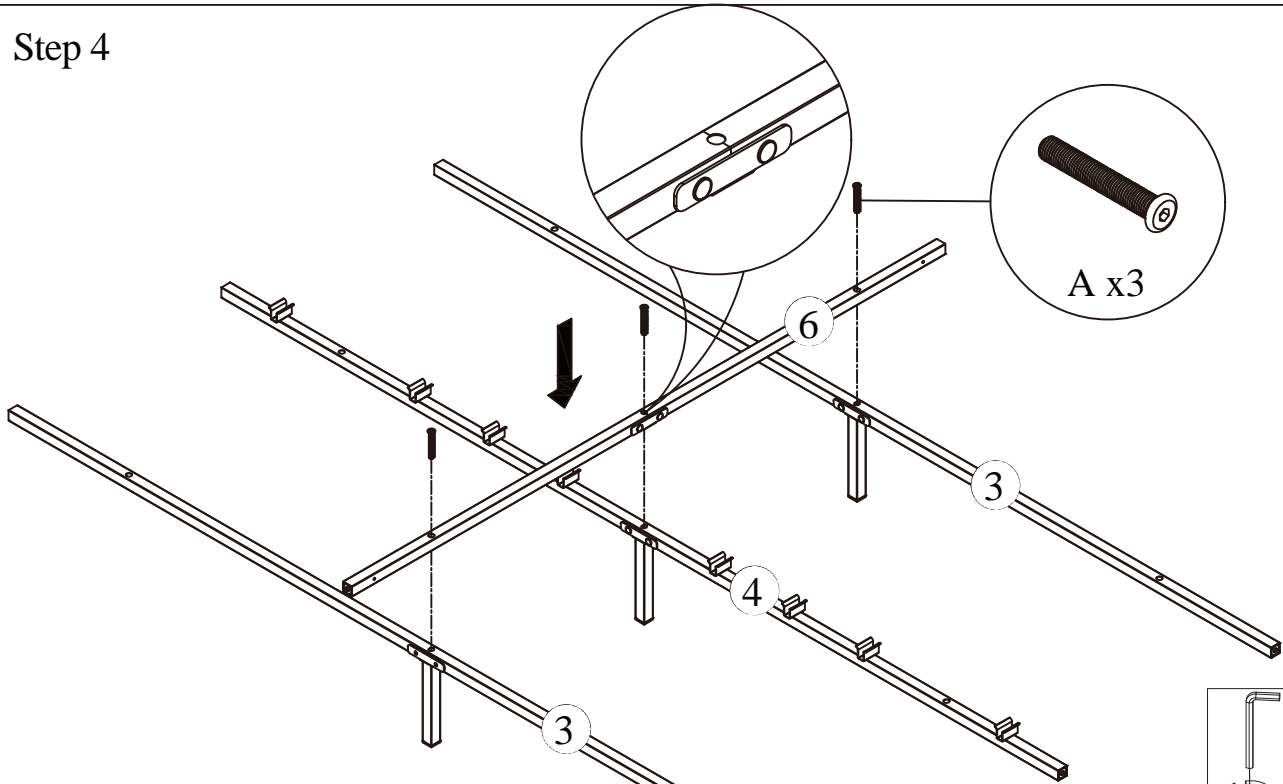


Step 3



Install

Step 4



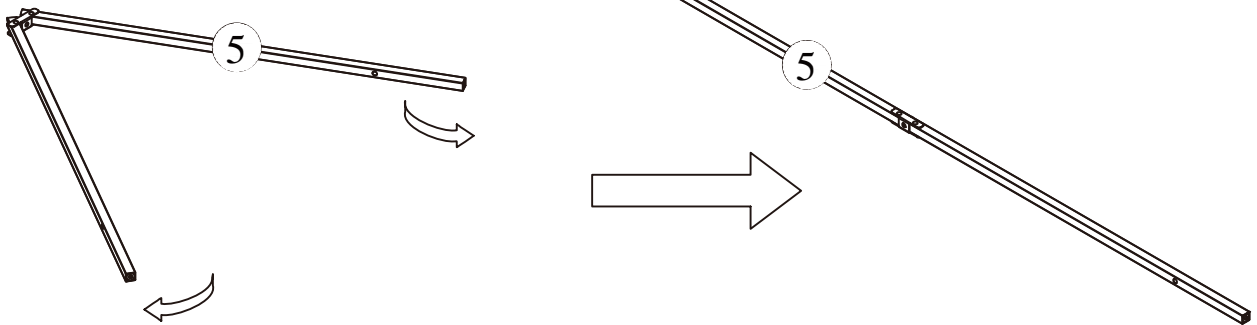
Attach Part 6 to Parts 3 and 4 with Screw A
Please place Part 6 in the direction shown in the picture.

! Do not fully tighten the screws yet.

Step 5

X 2

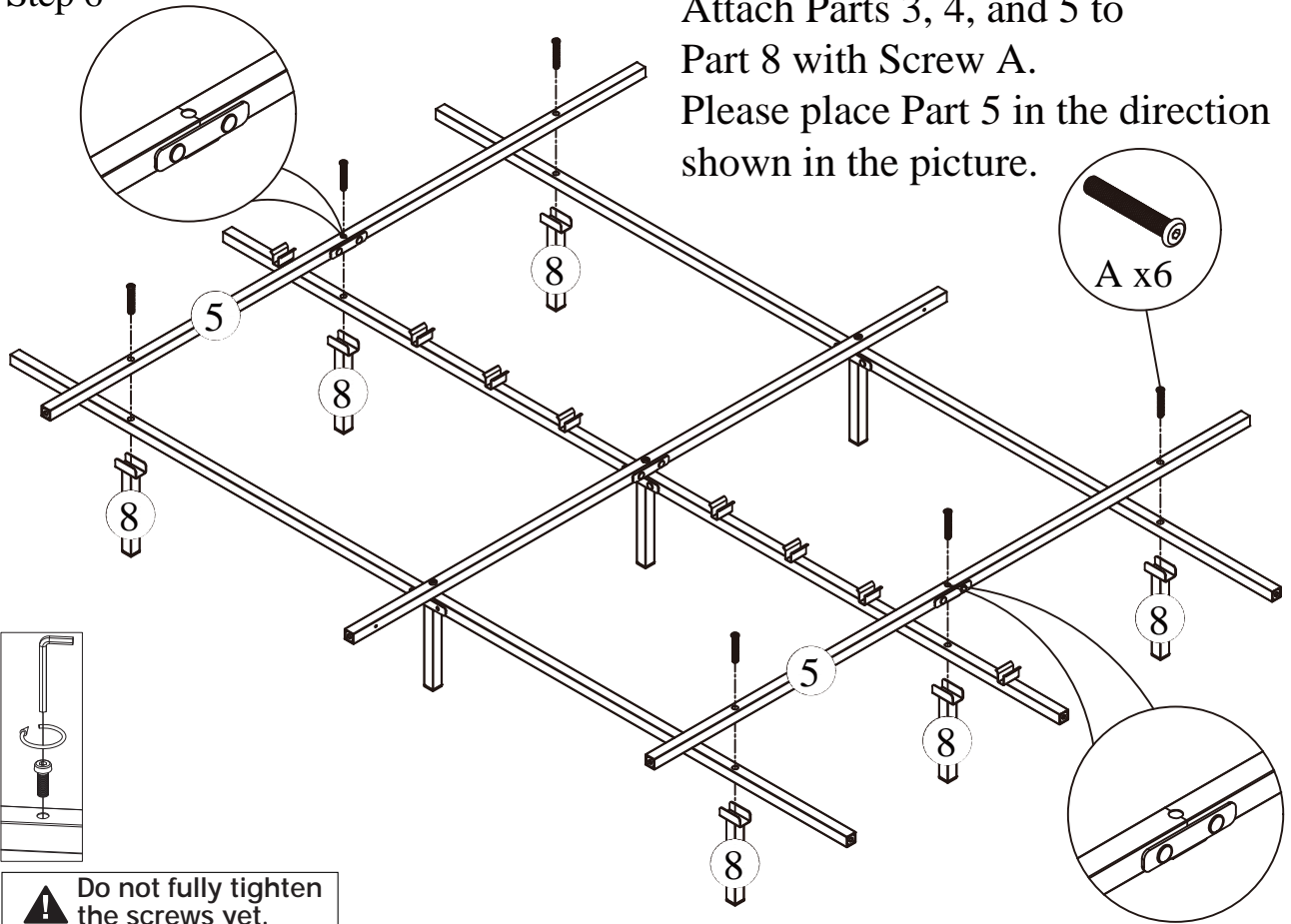
Expand part 5



Install

Step 6

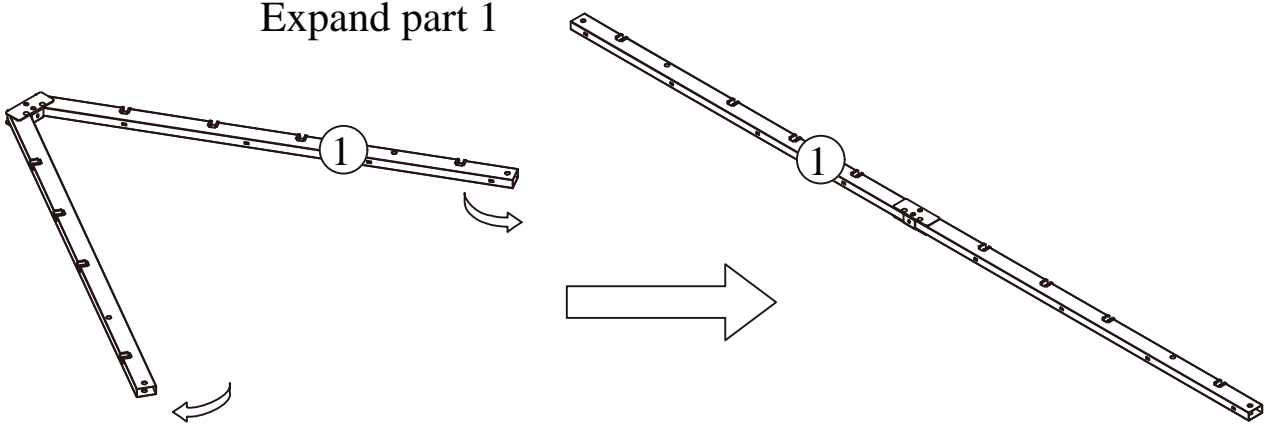
Attach Parts 3, 4, and 5 to Part 8 with Screw A.
Please place Part 5 in the direction shown in the picture.



Step 7

X 2

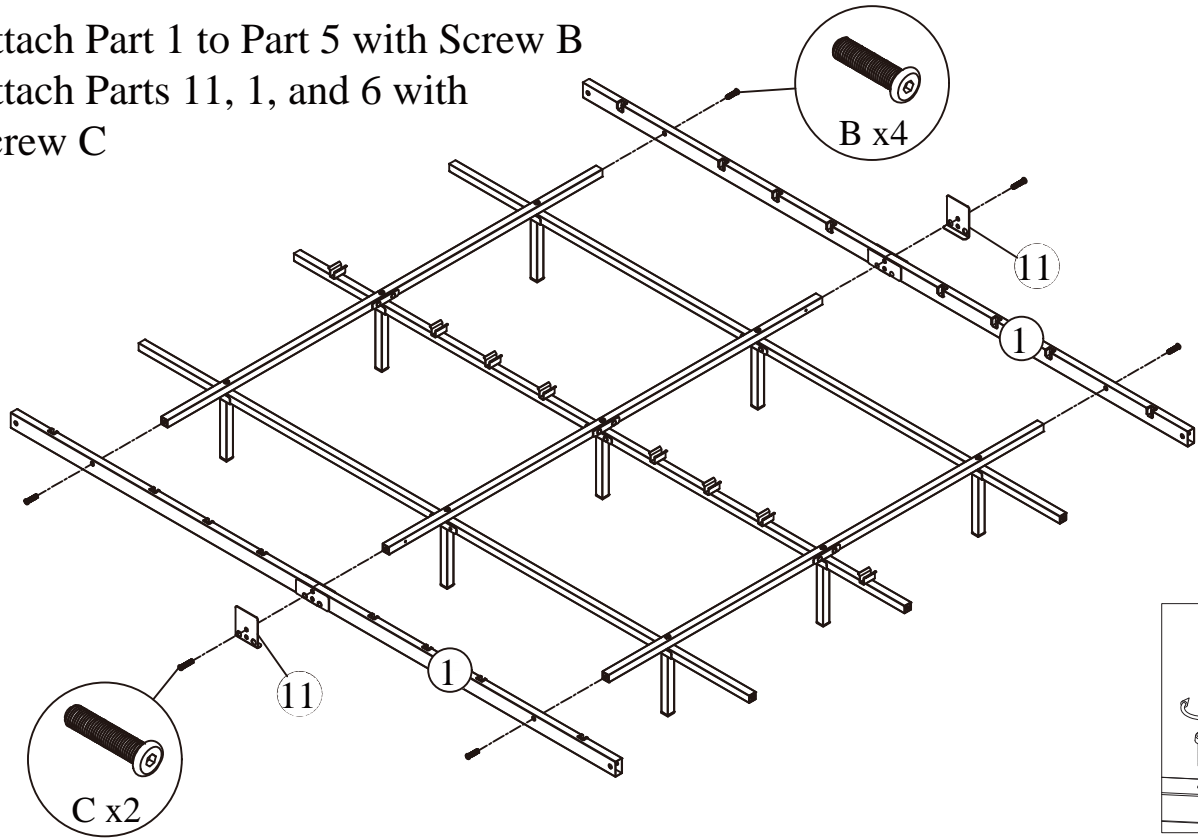
Expand part 1



Install

Step 8

Attach Part 1 to Part 5 with Screw B
Attach Parts 11, 1, and 6 with
Screw C

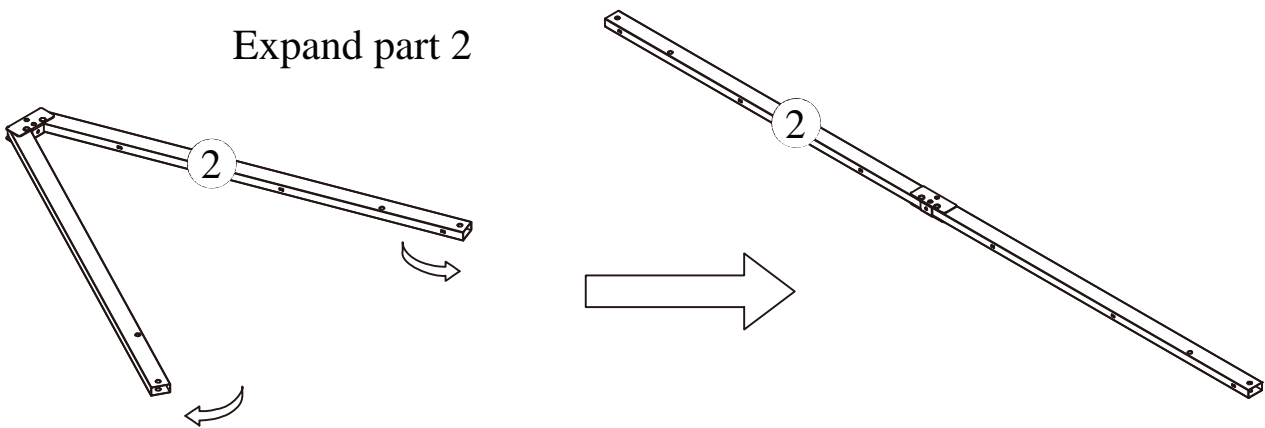


! Do not fully tighten the screws yet.

Step 9

X 2

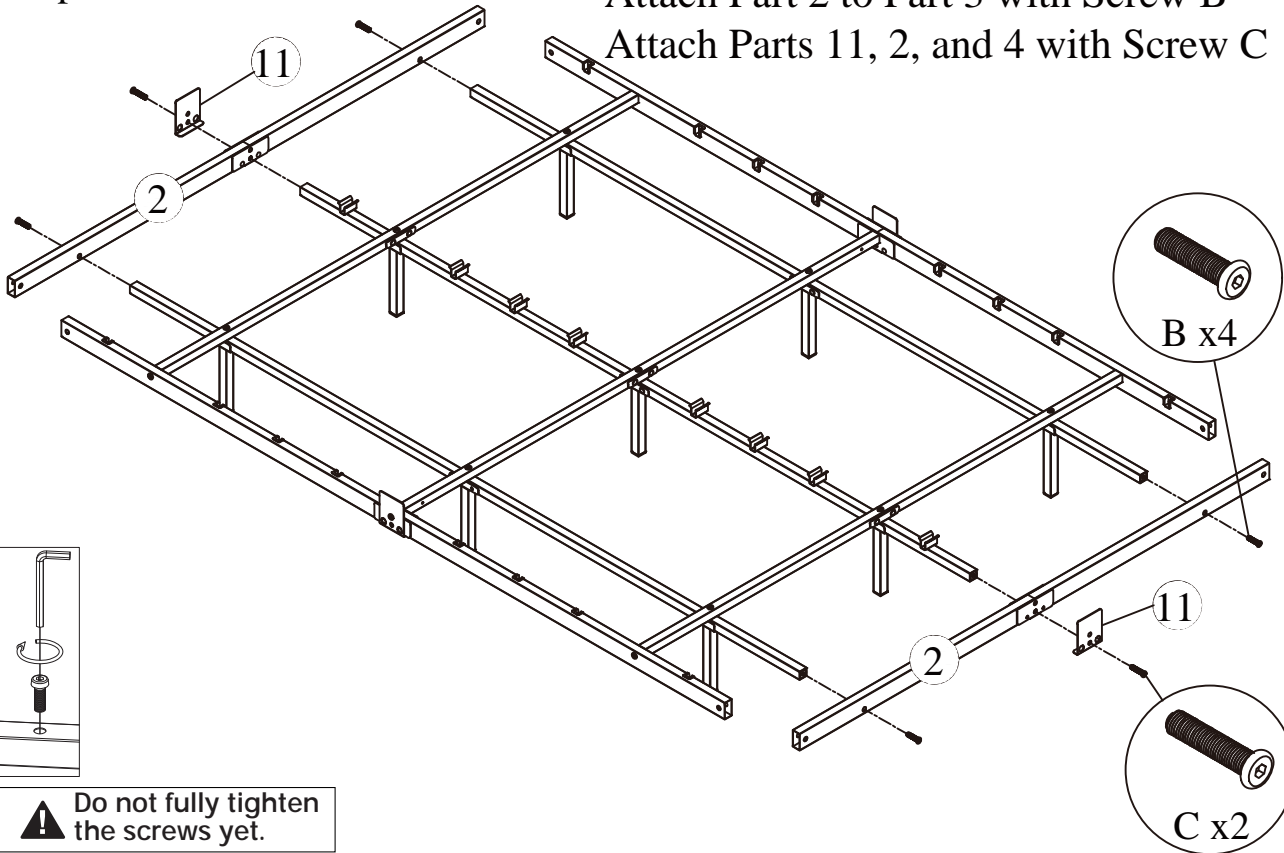
Expand part 2



Install

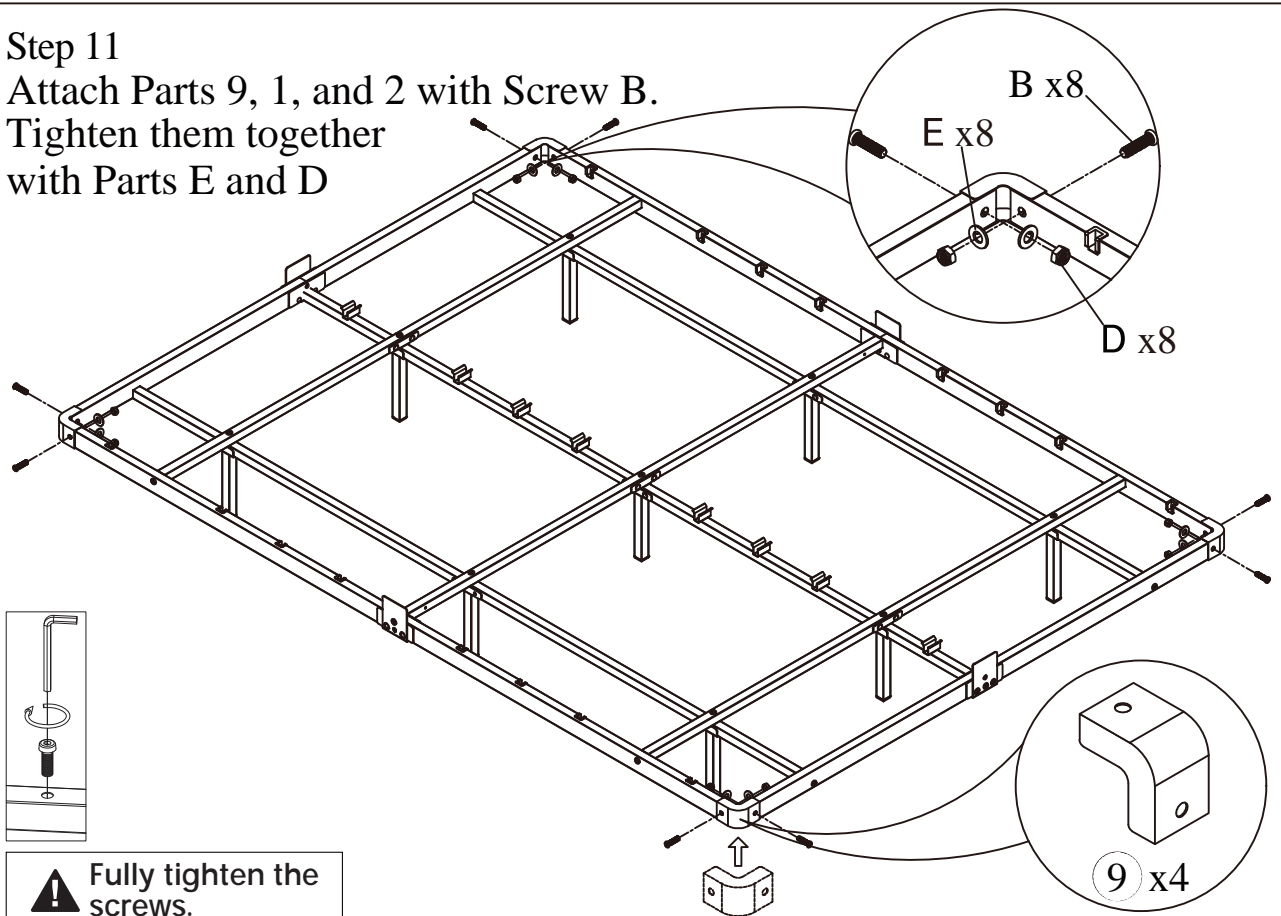
Step 10

Attach Part 2 to Part 3 with Screw B
Attach Parts 11, 2, and 4 with Screw C

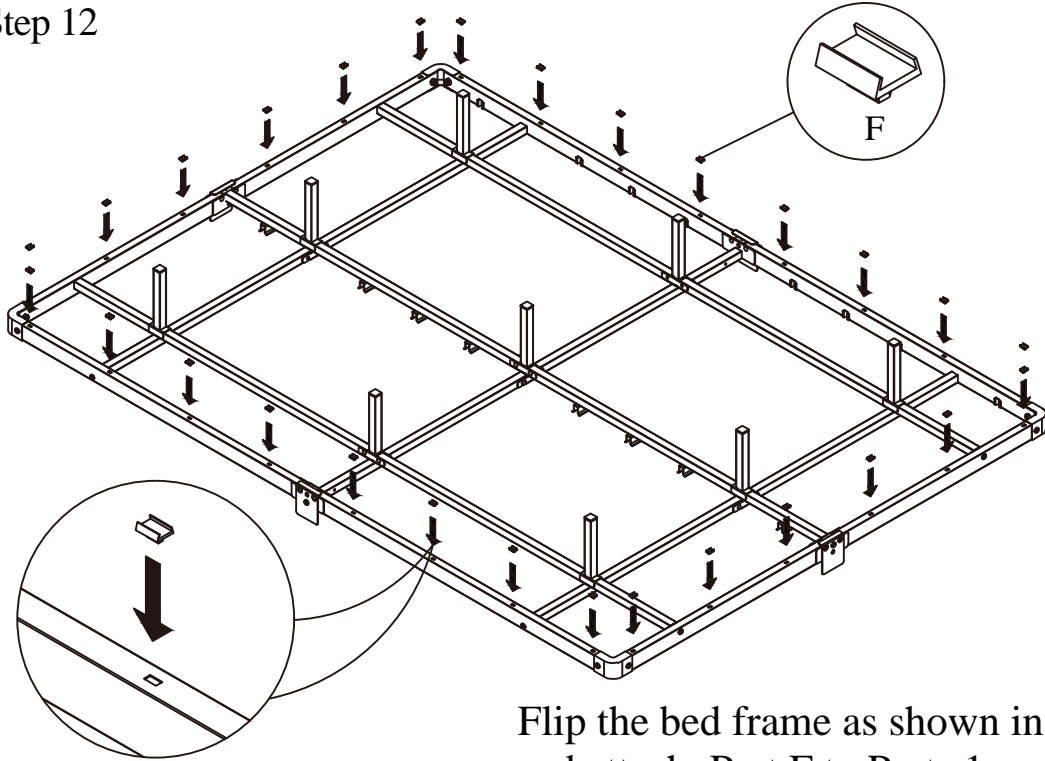


Step 11

Attach Parts 9, 1, and 2 with Screw B.
Tighten them together
with Parts E and D

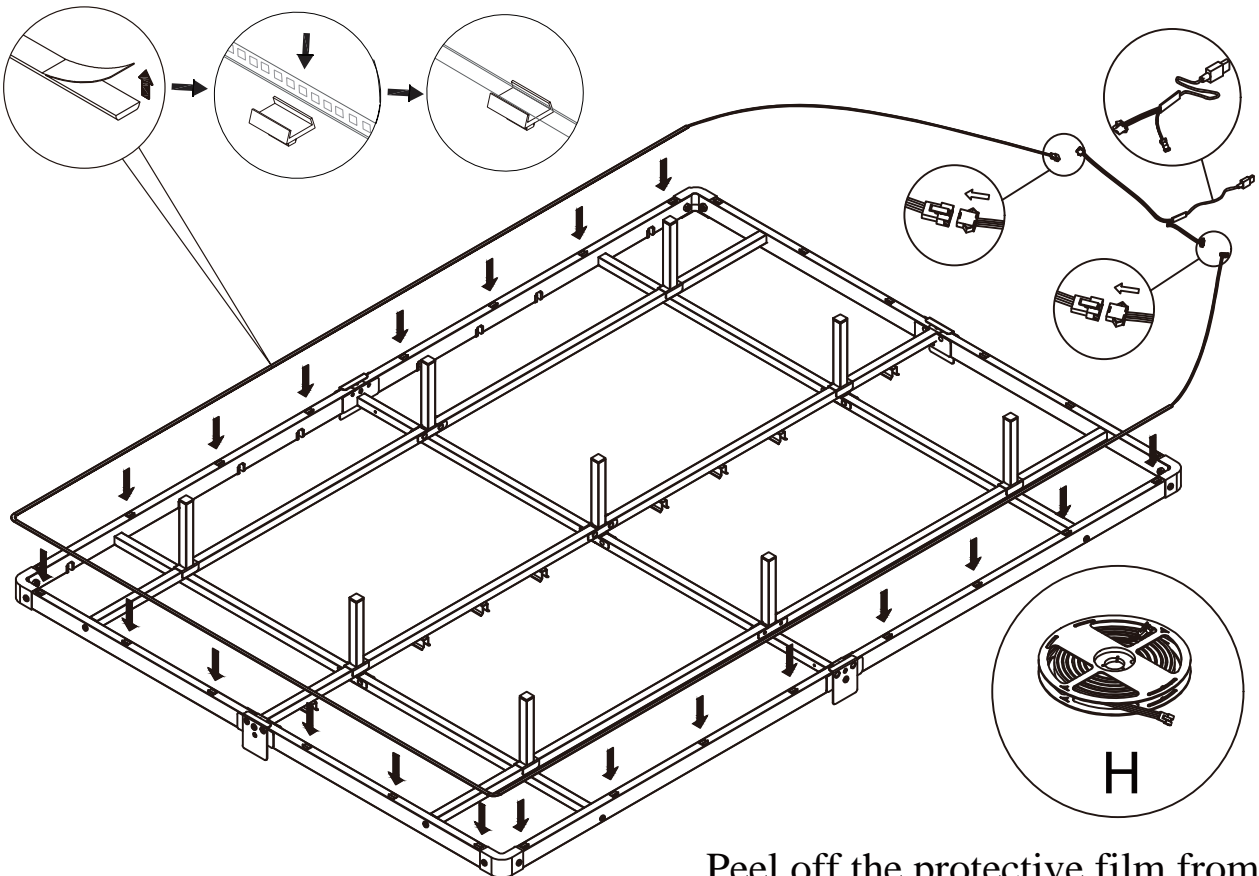


Step 12



Flip the bed frame as shown in the picture and attach Part F to Parts 1 and 2

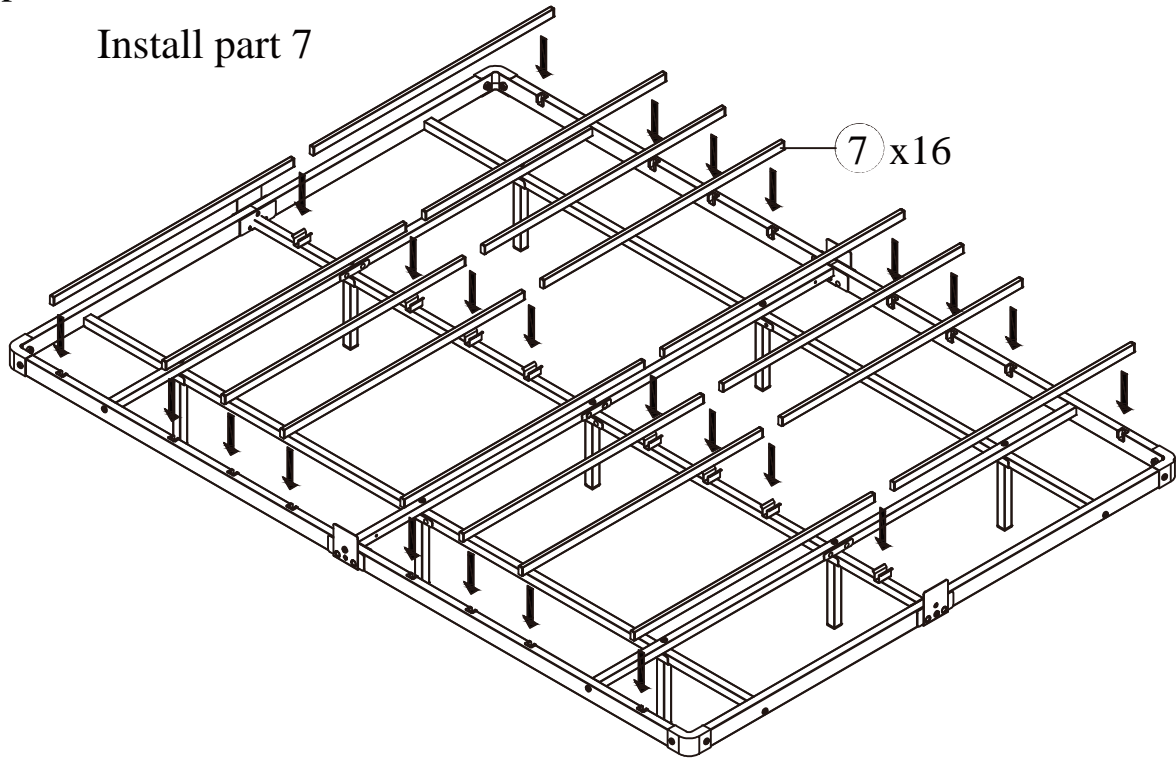
Step 13



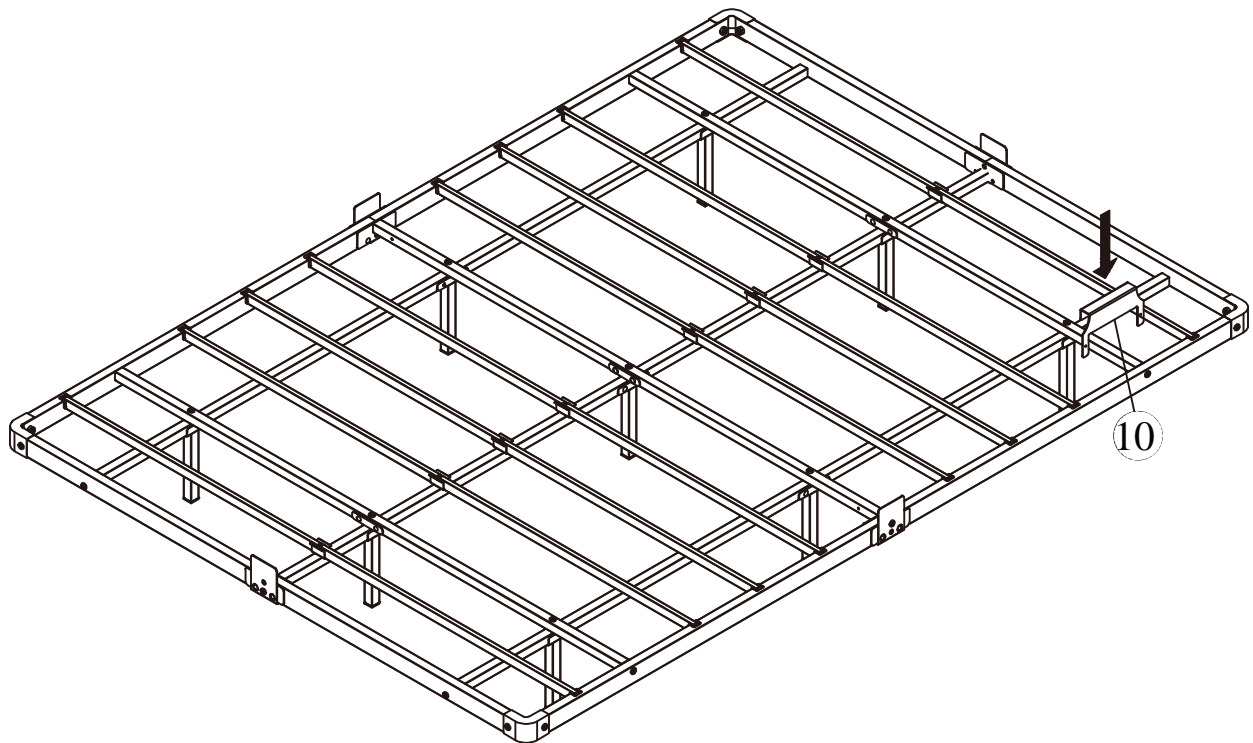
Peel off the protective film from the light strip and secure it to the bed frame using the clips

Step 14

Install part 7



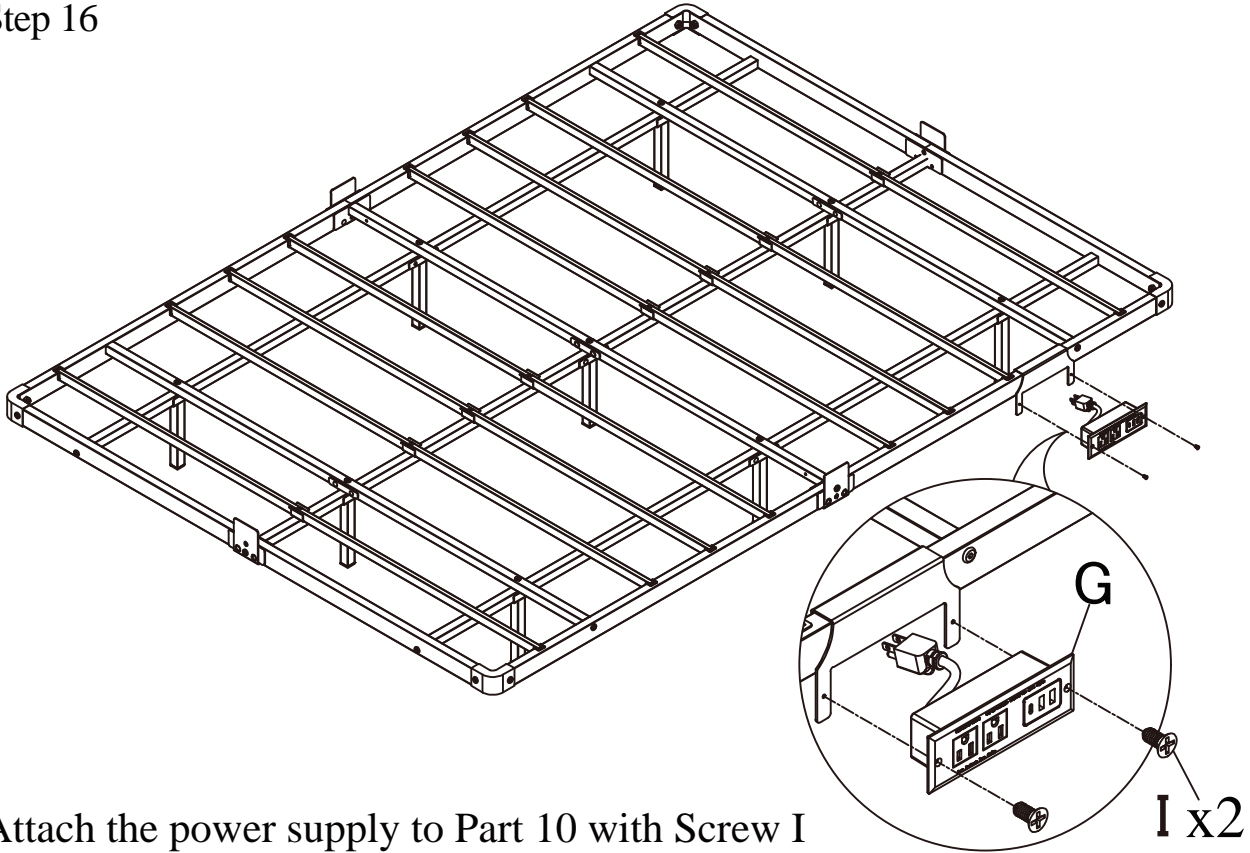
Step 15



Choose the appropriate position and clip part 10 onto the bed frame

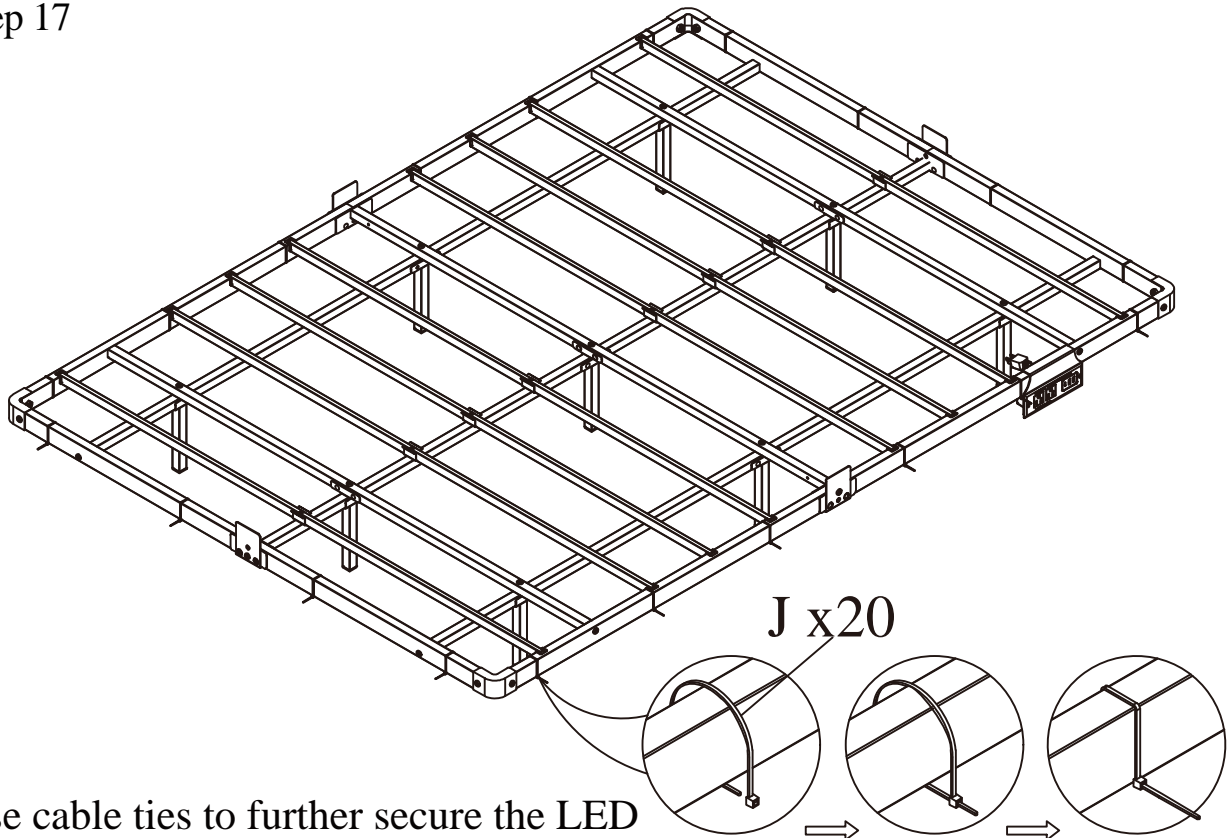
Install

Step 16



Attach the power supply to Part 10 with Screw I

Step 17



Use cable ties to further secure the LED strip and bundle any excess wires