

## ■ After-Sale Support

---

**Dear Customer,**

Thank you so much for purchasing our product. We sincerely appreciate your choice to incorporate our product into your living space.

Our goal is to build a mutually beneficial relationships with customers and we aim to be a reliable and recommendable brand.

We sincerely hope this product meets your expectations and that you would consider us again for your future needs.

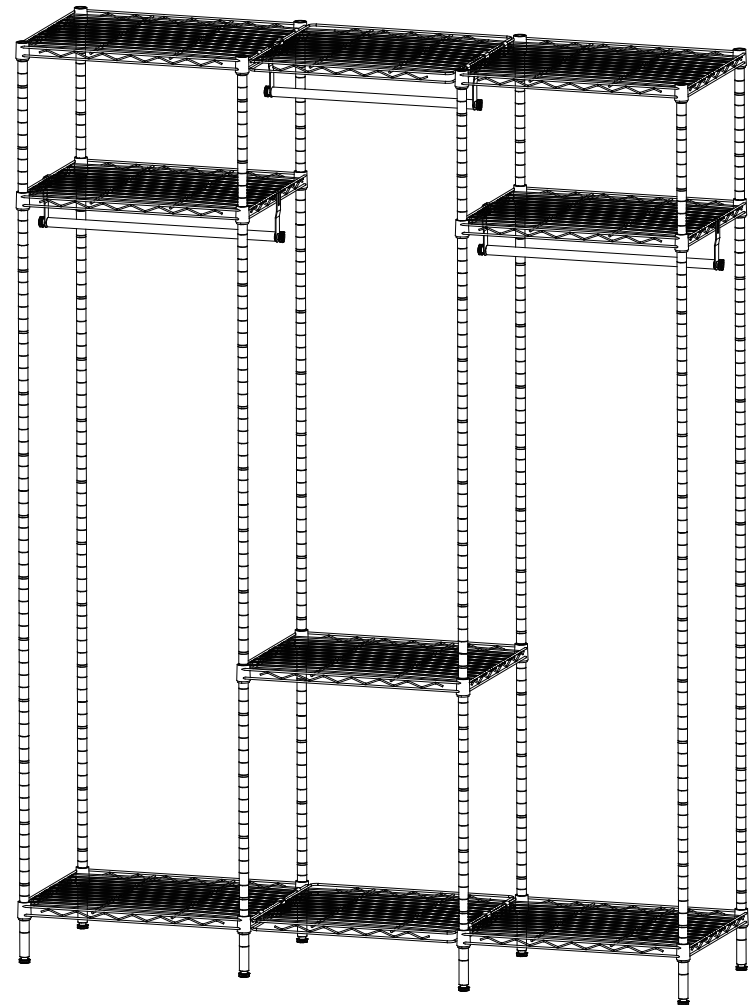
When you receive the package, please kindly double check your package and accessories to be sure that you have all the necessary parts.

Should you have any questions, please contact us through the original purchase platform.

We will reply to each message within 24 hours and spare no efforts to help you as always.

Thank you once again for choosing us. Here's to creating wonderful memories and comfortable spaces together!

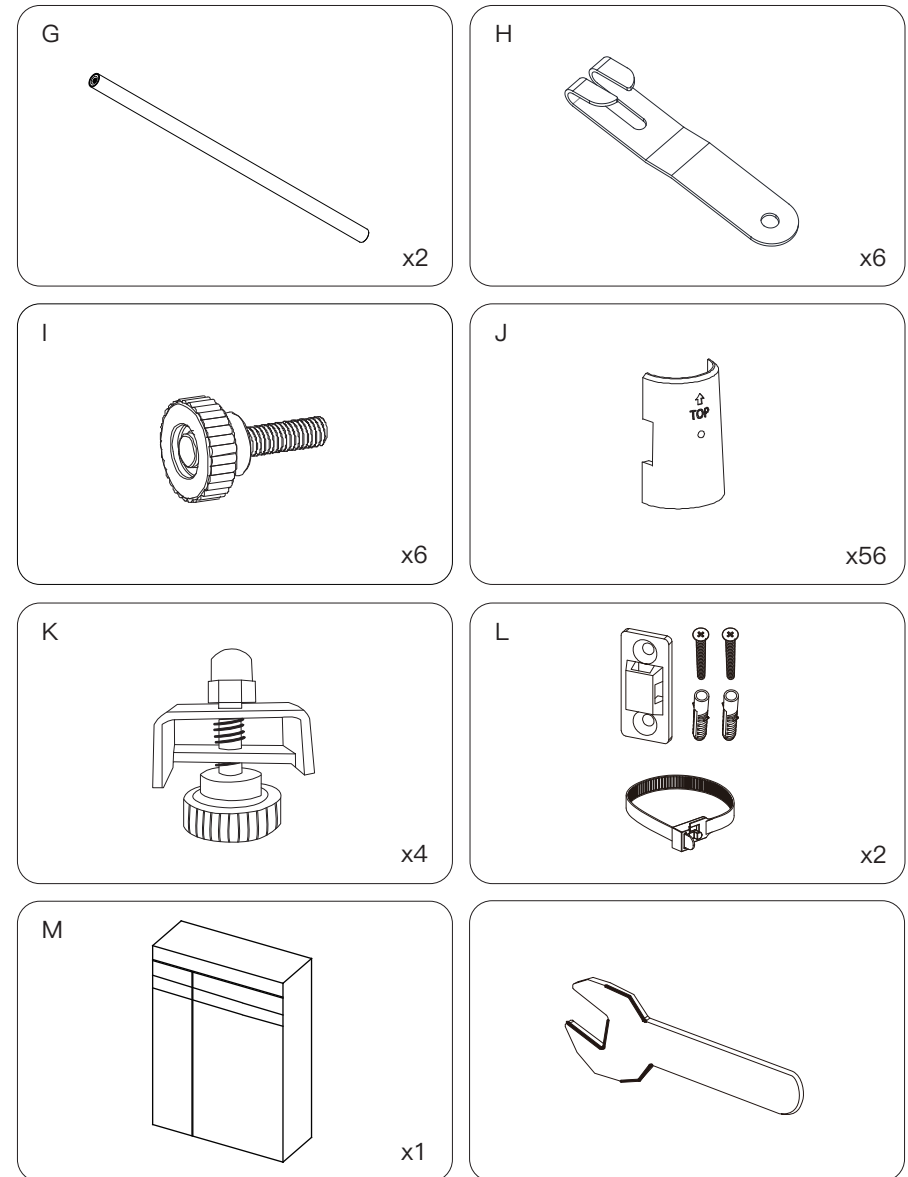
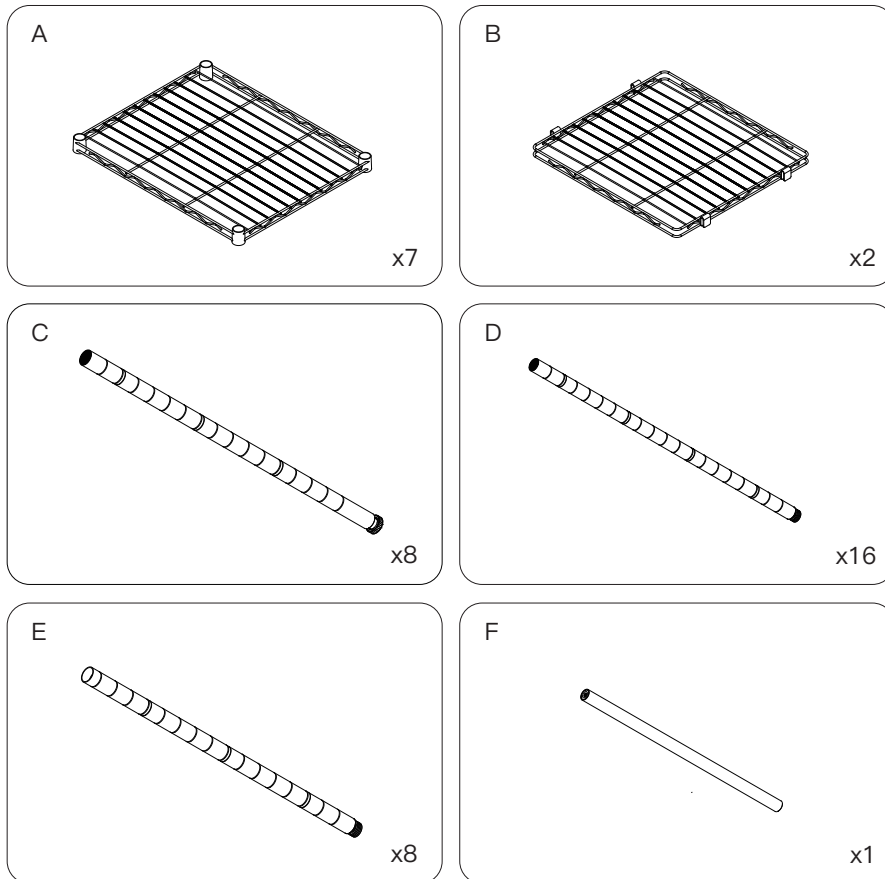
## ASSEMBLY INSTRUCTION



Please check all parts and accessories according to the parts list before assembling, make sure all contents are sufficient and in good condition.

If there is any parts missing or defective, please contact us immediately with purchase platform message to get replacement parts.

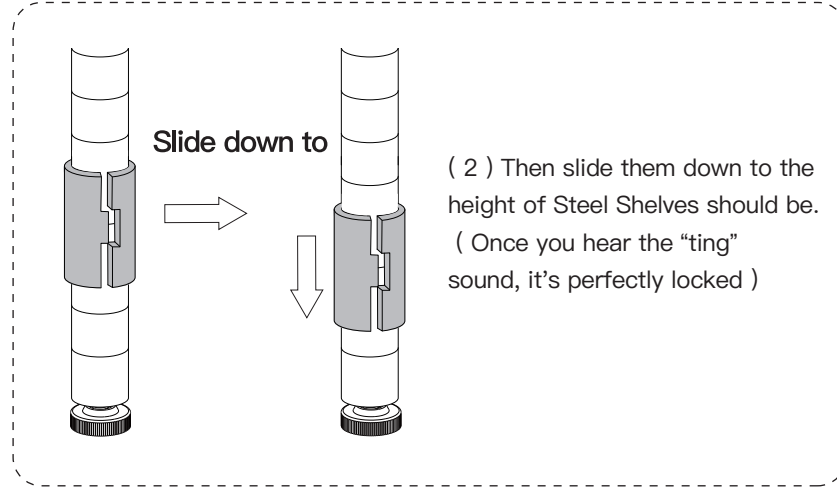
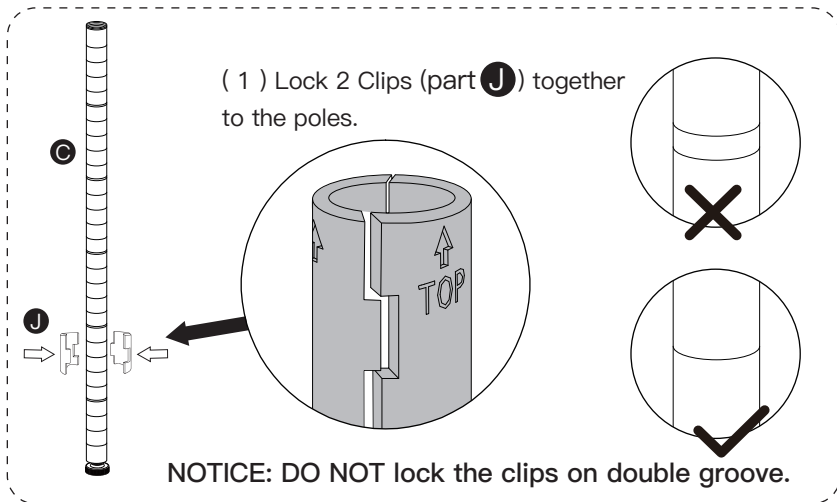
## PART LIST:



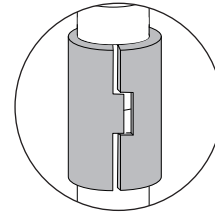
# HOW TO INSTALL

## Step 1

Learn to install Clips on poles.



NOTICE: Every Clip (Part **J** ) installing in same step must be at the same height.



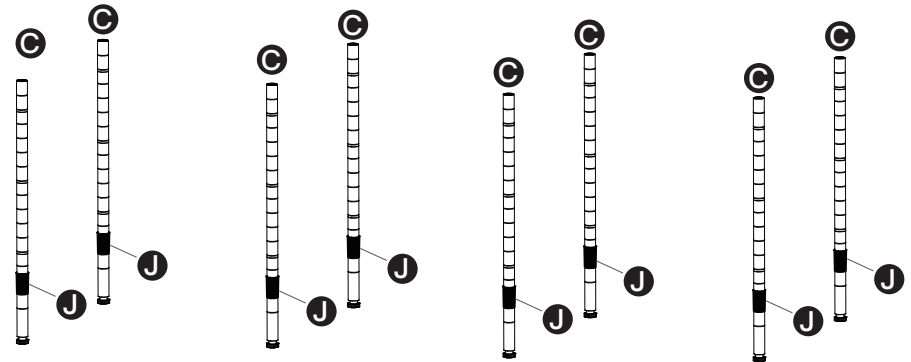
### Note:

There is a gap between 2PCS plastic clips assembled onto the poles as shown in the picture, this is a structural design rather than a quality issue, which aims to bind the shelves firmly onto the pole.

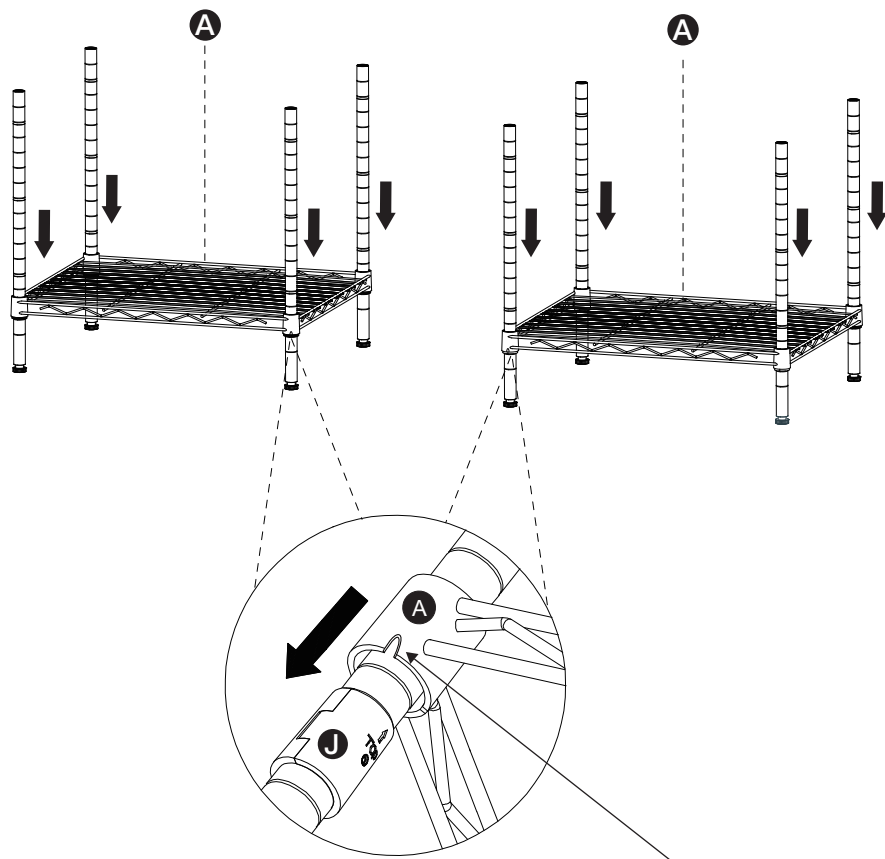
## Step 2

Install (part **A**) on (part **C**).

(1) Lock Clips (part **J**) as below.

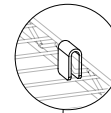


(2) Install Steel Shelves (part **A**) onto the Clip Groups.

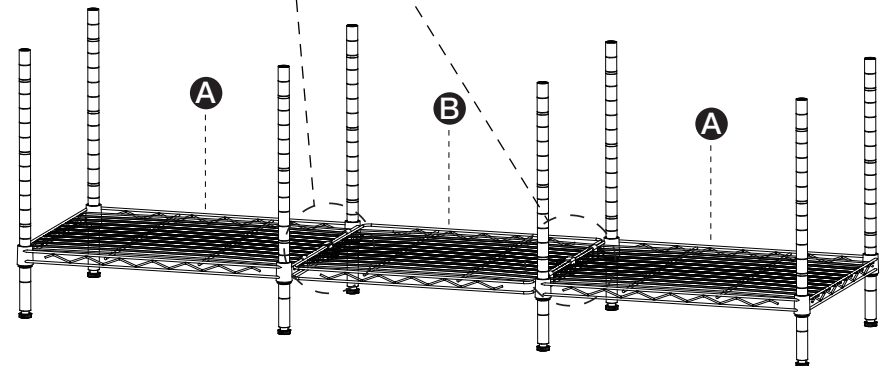
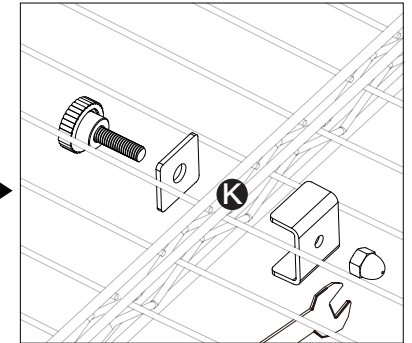
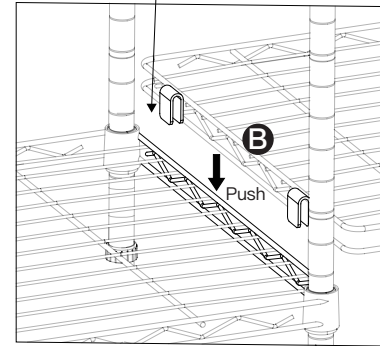


Keep the gap in collar face down

**Step 3** Connect (part **A**) with (part **B**), use (part **K**) to tighten them.

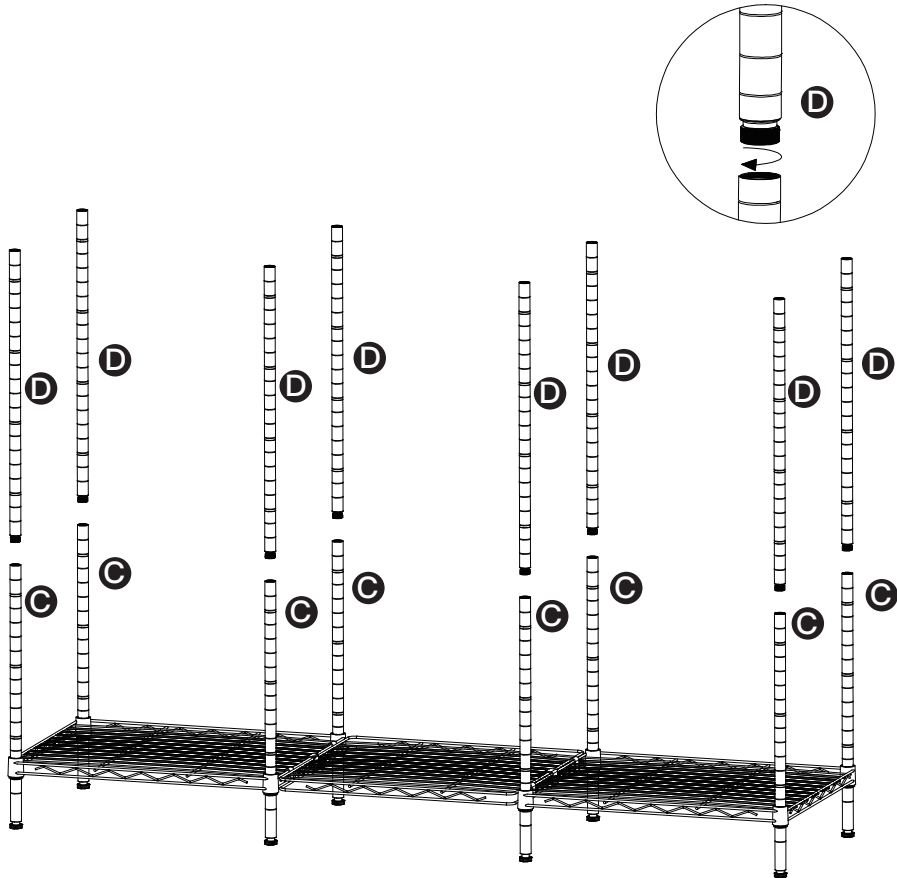


Notice:  
Buckle (Part **B**) onto (Part **A**) to keep them at the same level.



### Step 4

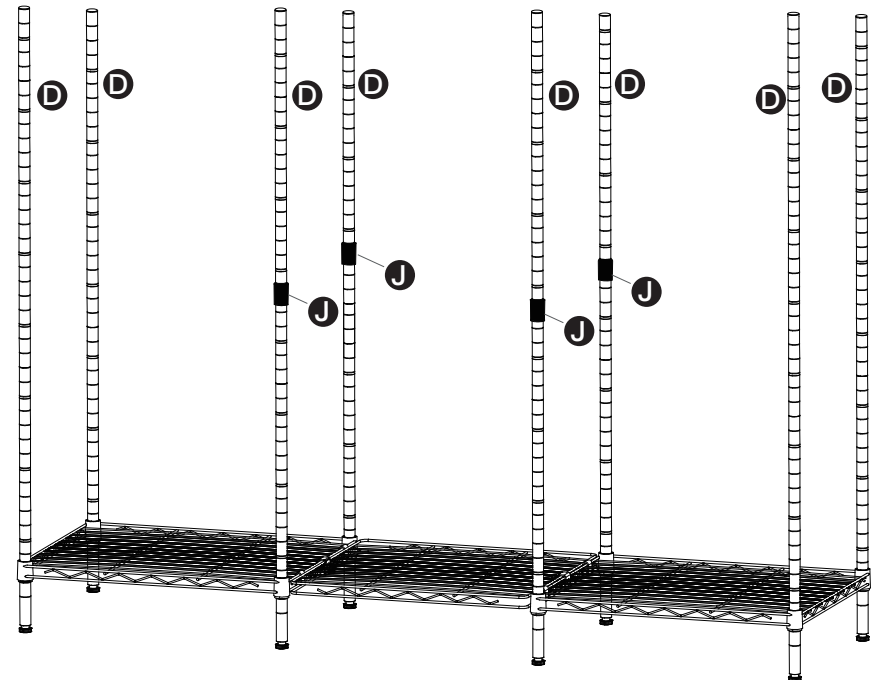
Connect 8 Middle Poles (part **D**) on 8 Lower Poles (part **C**).



### Step 5

Install (part **A**) on (part **D**).

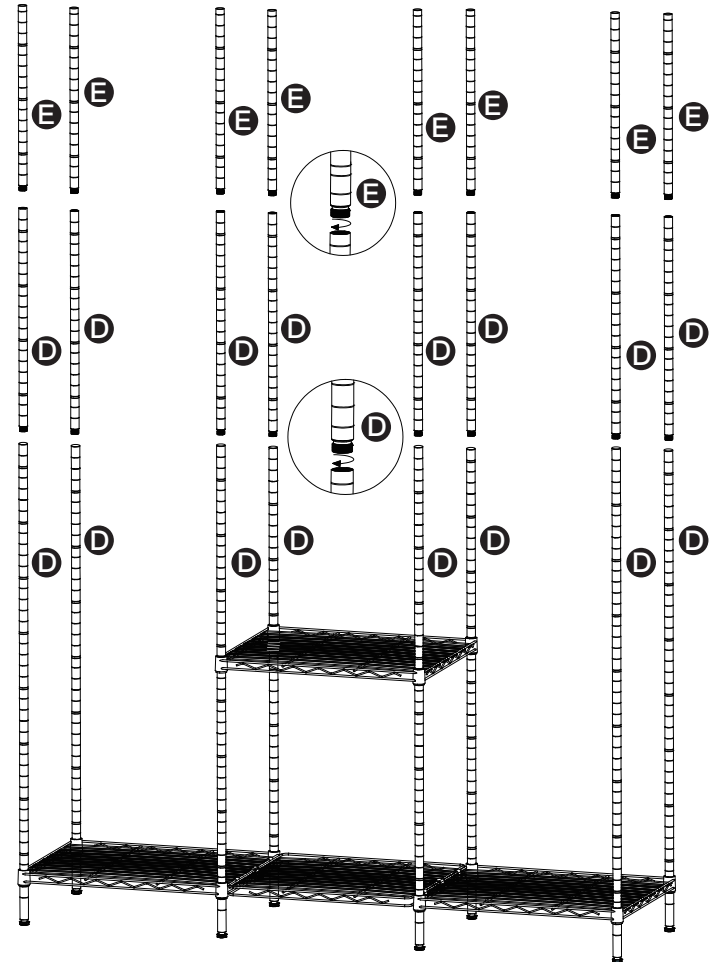
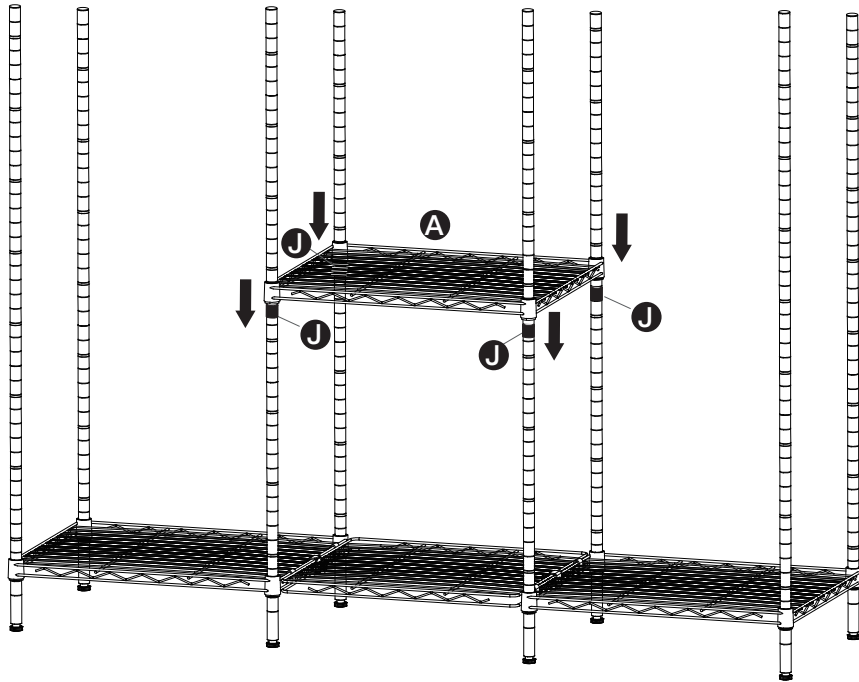
(1) Lock Clips (part **J**) as below.



**Step 6**

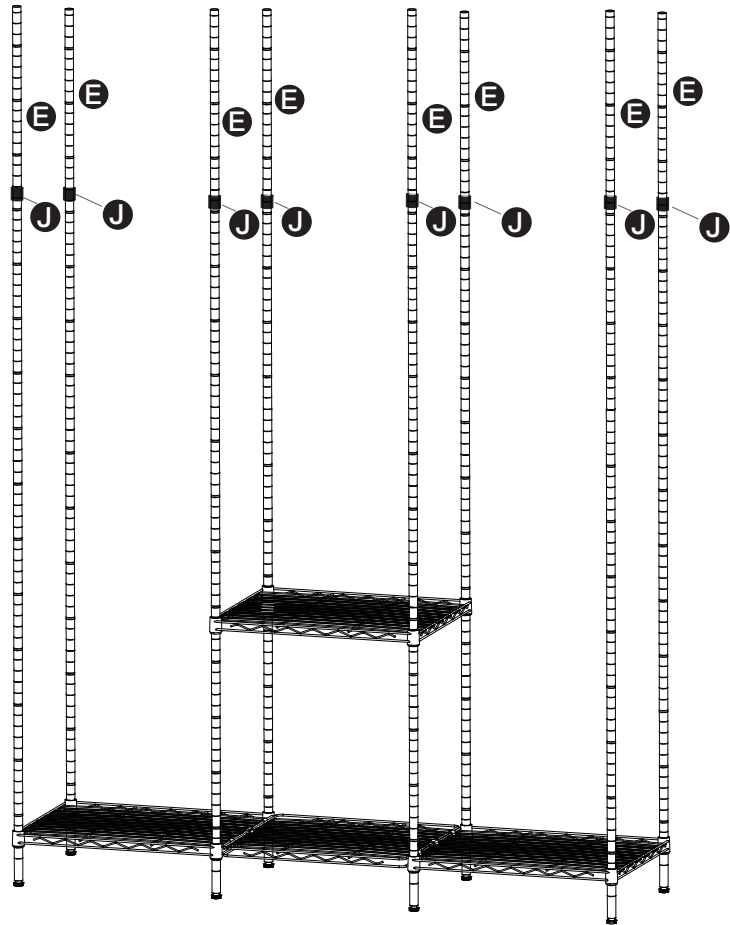
Connect 8 Middle Poles (part **D**) and 8 Upper Poles (part **E**) on 8 Middle Poles (part **D**) in order.

(2) Install Steel Shelves (part **A**) onto the Clip Groups.

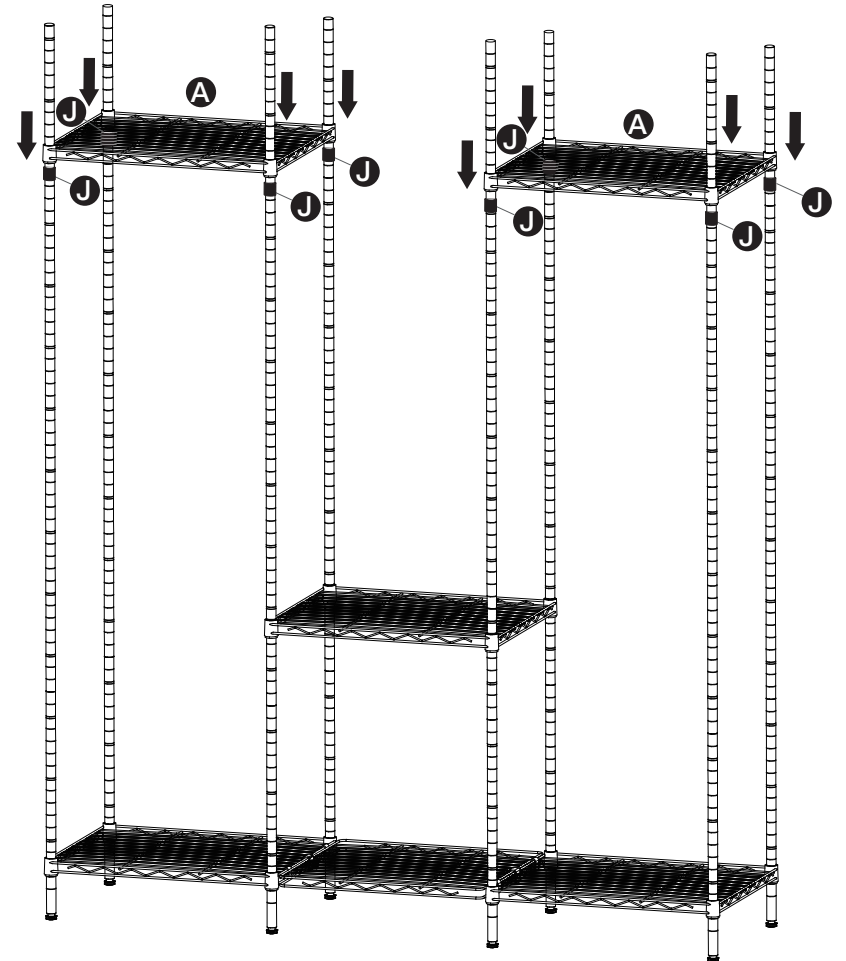


**Step 7** Install (part **A**) on (part **E**).

(1) Lock Clips (part **J**) as below.

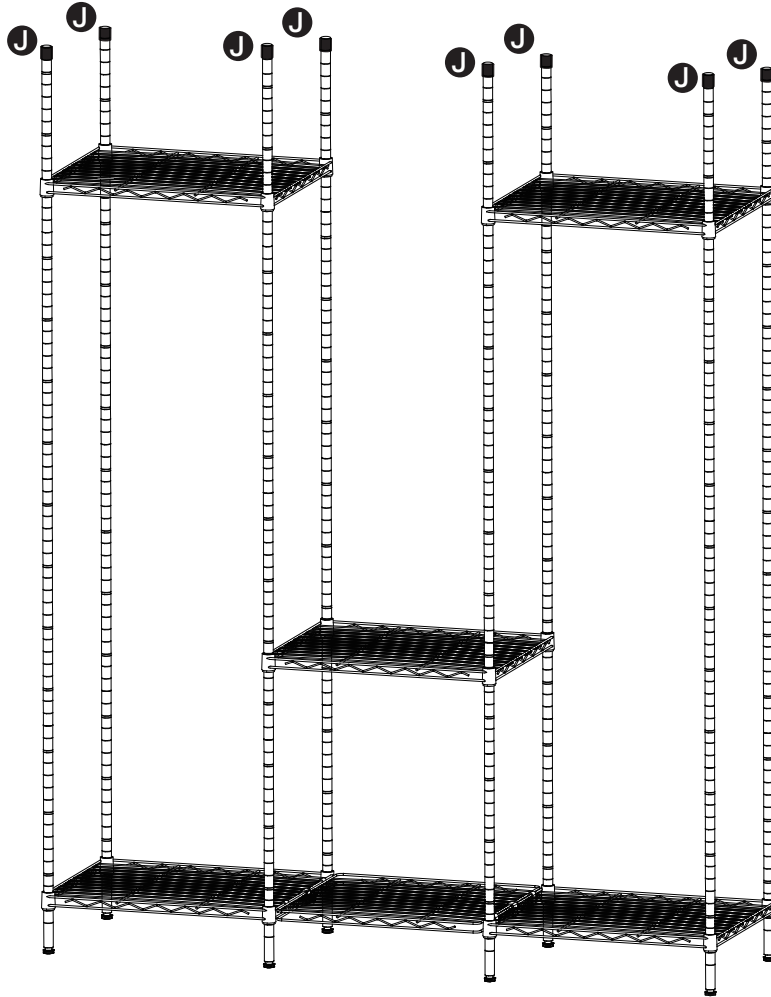


(2) Install Steel Shelves (part **A**) onto the Clip Groups.

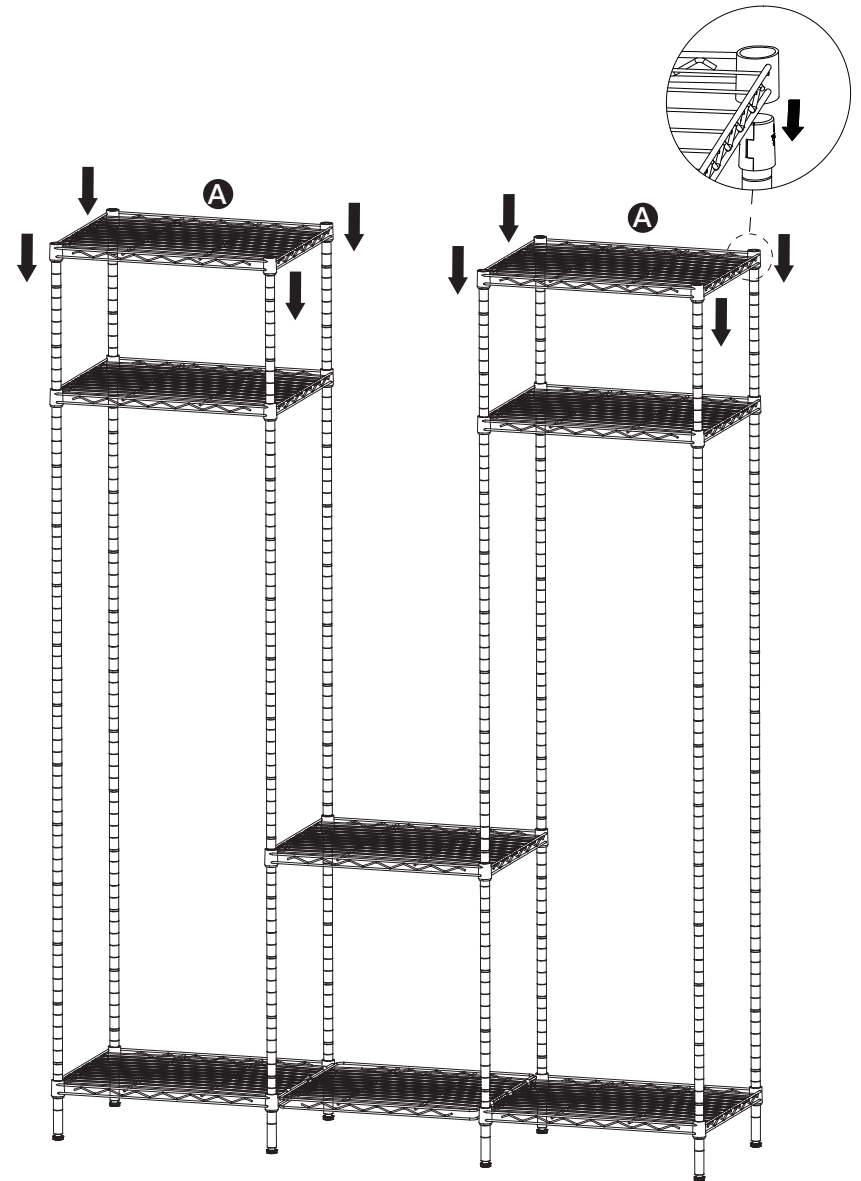


**Step 8** Install (part **A**) on (part **E**).

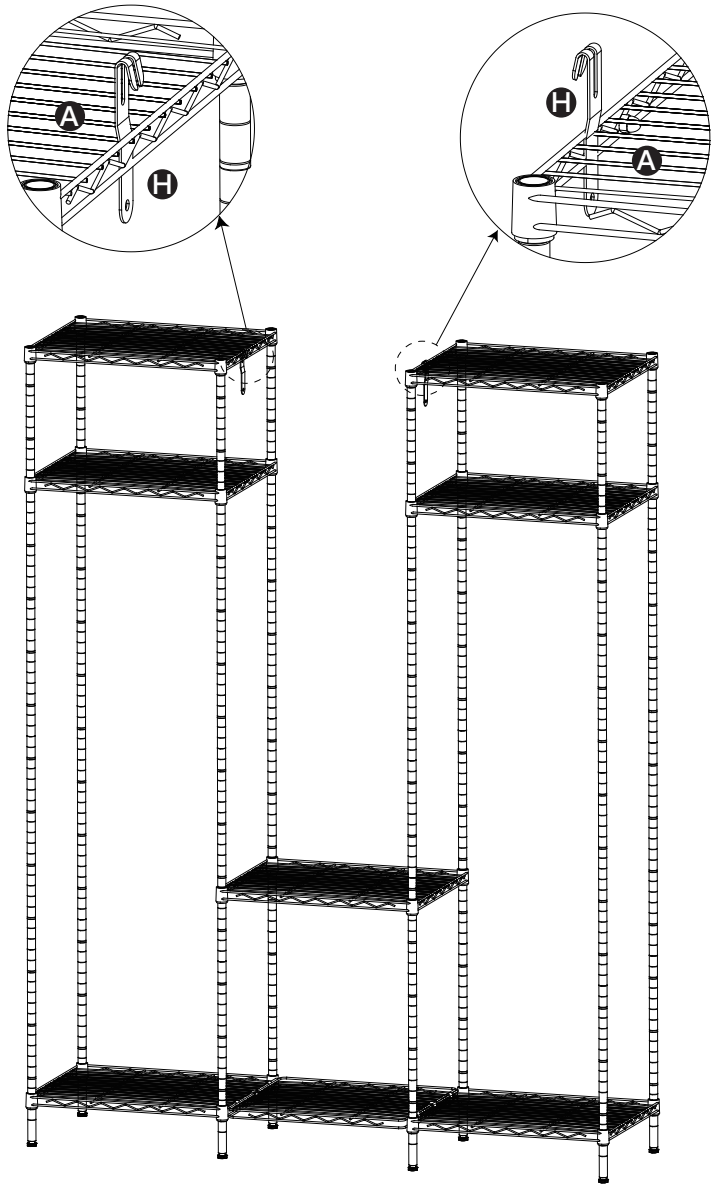
(1) Lock Clips (part **J**) as below.



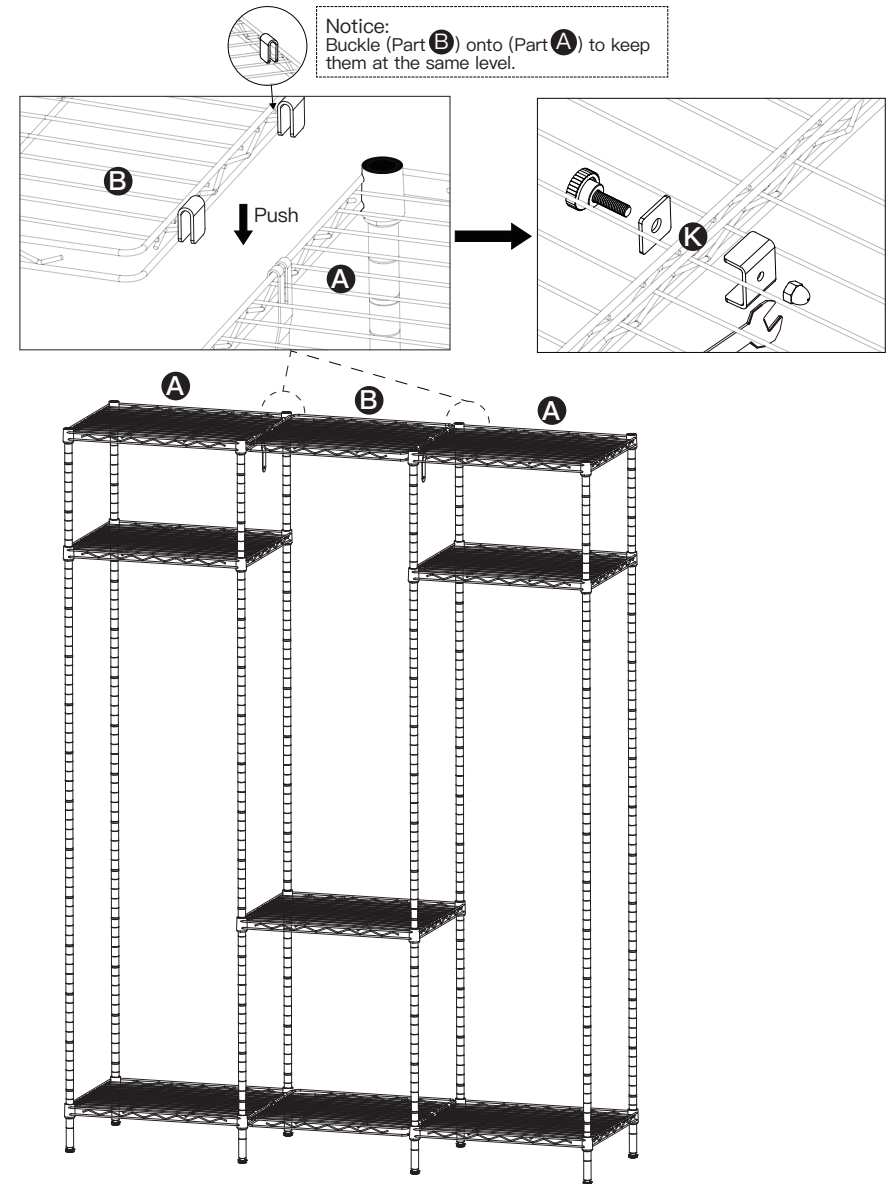
(2) Install Steel Shelves (part **A**) onto the Clip Groups.



**Step 9** Attach (part **H**) on (part **A**).

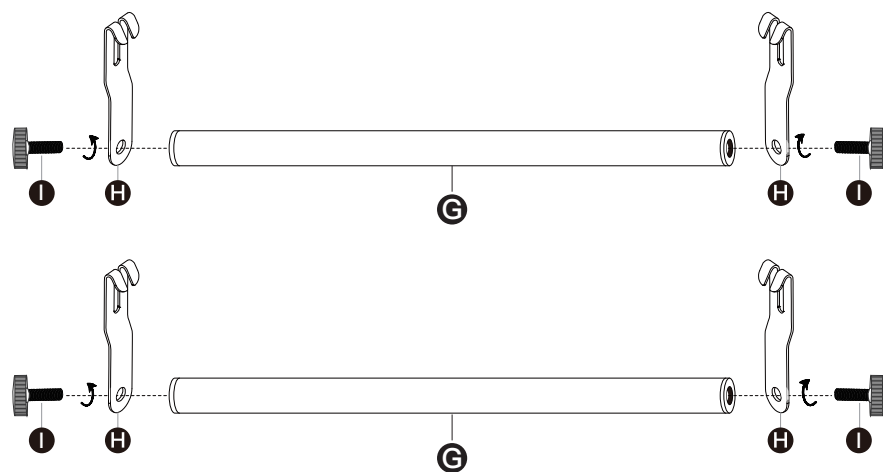
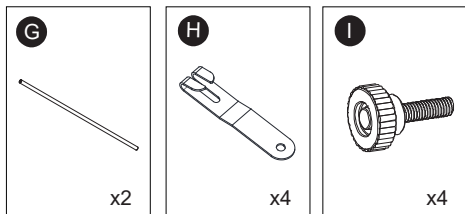


**Step 10** Connect (part **A**) with (part **B**), use (part **K**) to tighten them.



### Step 11

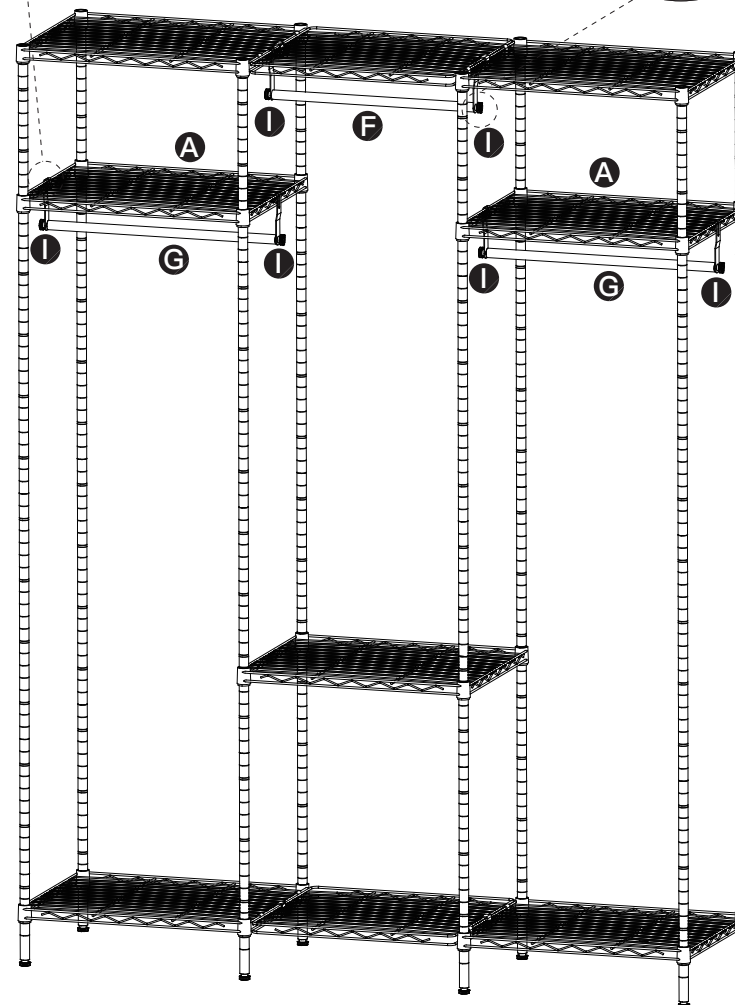
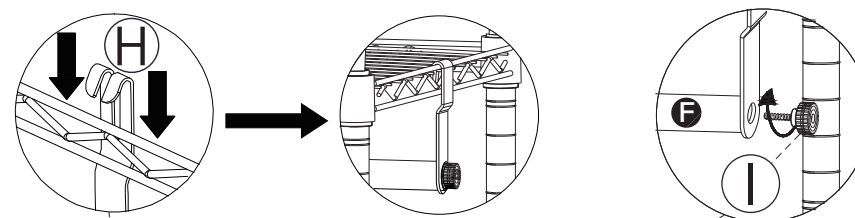
Install (part **H**) on each end of (part **G**), and tighten them with (part **I**).



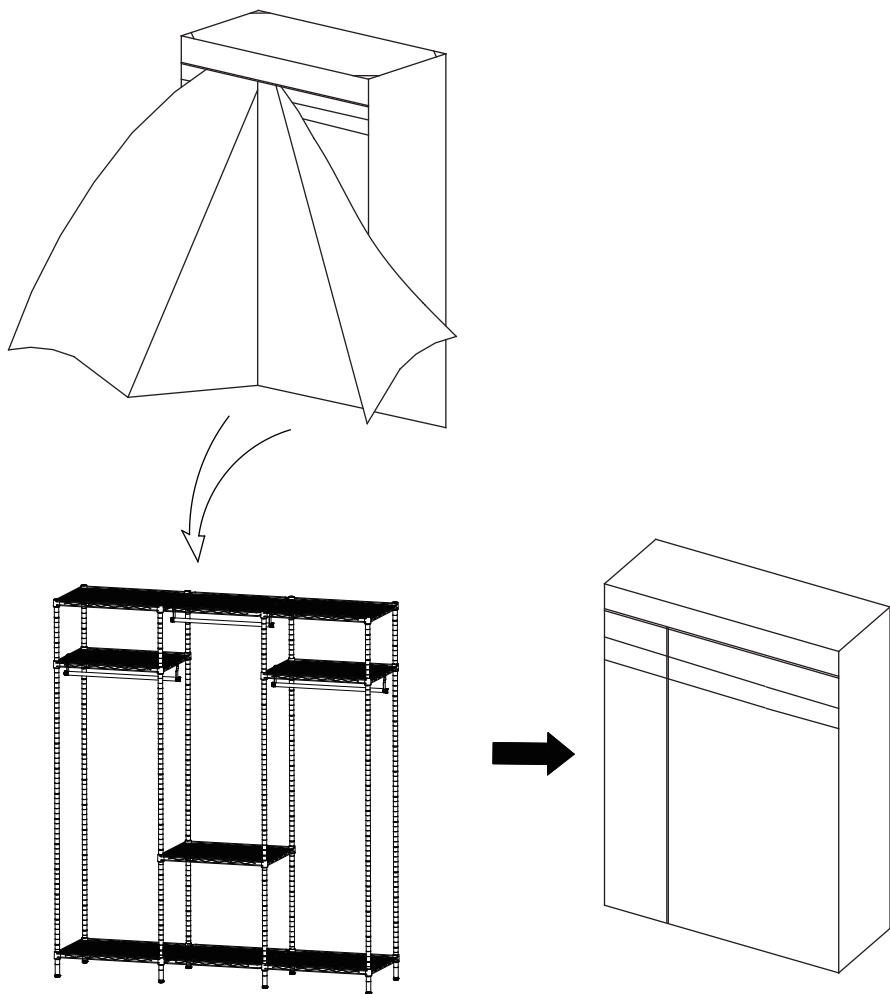
**NOTICE:** Do NOT tighten part **I** until next step.

### Step 12

Connect 2 hooks that Step 9 installed with part **F**, use part **I** to tighten. Install the hangers on part **A** and tighten part **I**.



**Step 13** Put the cover (part **M**) on the rack.



**Step 14** (Optional) Install (part **L**) to keep the rack more stable.

