

Installation diagram

Specification name: Shoe changing stool solid wood two-layer 120CM

Note: (Installed) in the parts list and hardware list means it has been installed in the finished product and is not included in the hardware package!!!



Parts List

Number	Name	Icon	Specification	Quantity
1	Seat Frame		1200*300*63MM	1
2	Active Shelf		1130*240*12MM	1
3	Bottom Frame		1130*240*32MM	1
4	Forefoot		402*40*40MM	2
5	Back Foot		402*40*40MM	2
6	Mid-foot		55*35*35MM	1

Hardware Watch

Number	Illustration	Specification	Icon	Quantity
A	Round head hexagon socket screw		M6*50MM	8
B	Round head hexagon socket screw		M6*35MM	4
C	Flat Qasket		M6*13MM	12
D	Hexagon Wrench		M4*57MM	1
E	L-shaped Shelf Support		∅ 6*20*16MM	4

Certificate

This product has been inspected for wood and paint and fully complies with national quality inspection standards. It will be shipped after passing the inspection and sold after confirming that the packaging is intact. To ensure our commitment, customers are welcome to provide valuable feedback to our after-sales service.

Product Name:	Solid Wood Furniture
Qualified	Qualified Products
Grade	First Class

Quality inspector

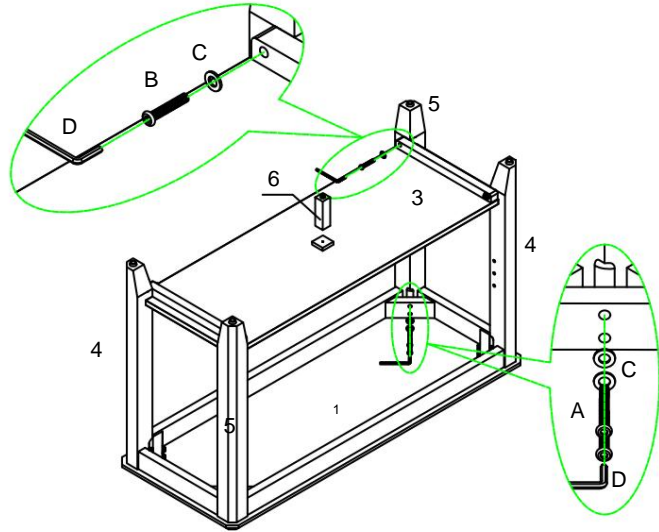


Quality Inspector

Quantity

Shoe Changing Stool Solid Wood Two-Layer 120CM

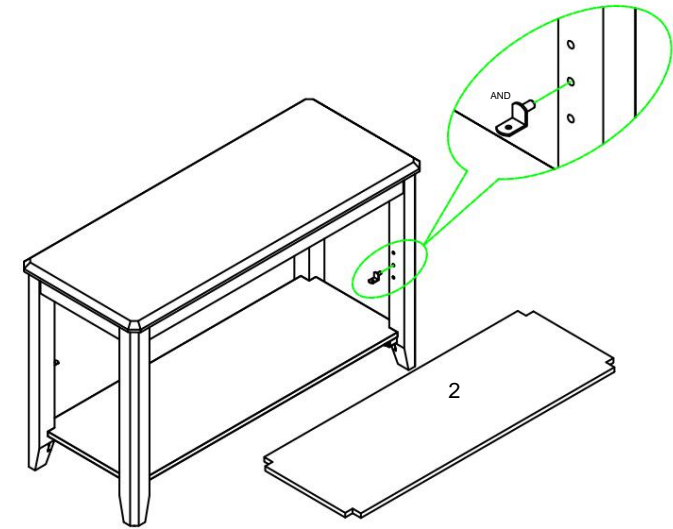
Step 1:



Note: After unpacking, please check whether the product is complete.

1. First assemble the left foot No. 4 and the right foot No. 5 with the seat frame 1 and the bottom plate 3 according to the figure, and then turn the supporting foot 6 clockwise and tighten it as shown in the figure.

Step 2:



2. Install the shelf support E on the foot column as shown, and then insert the movable shelf 2 as shown.

Step 3:

Assembly Complete



3. Adjustable foot pads are installed at the bottom of the foot column. If the floor is uneven, you can rotate the adjustable foot pads at the bottom to achieve balance.