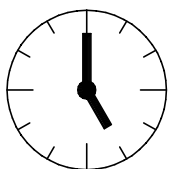
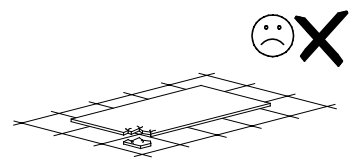
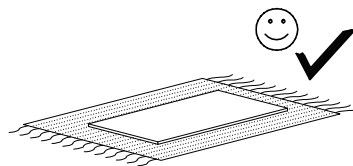
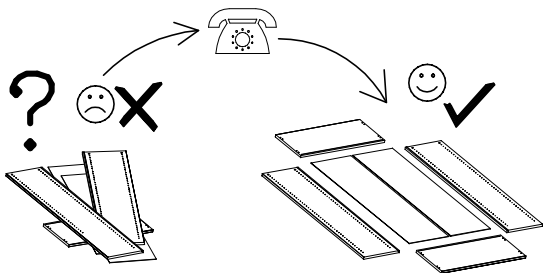
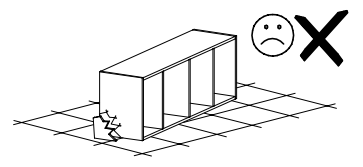
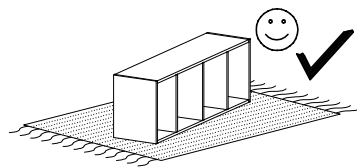
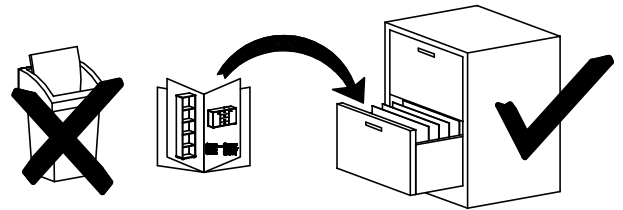
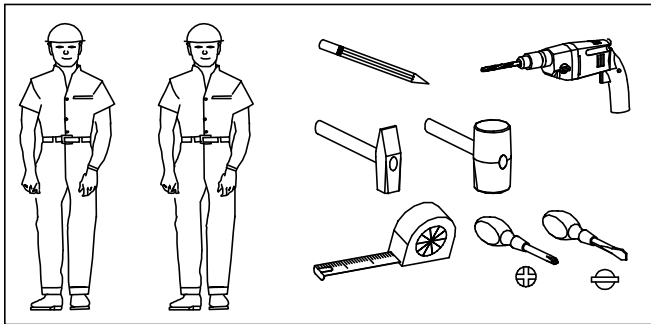
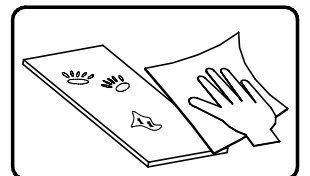
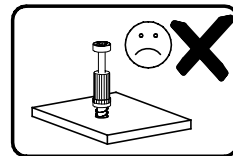
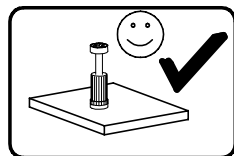
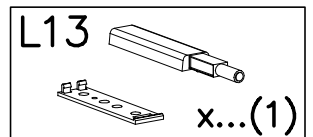
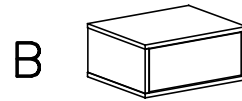
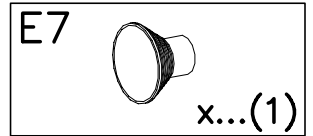
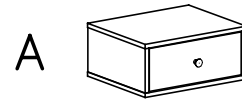
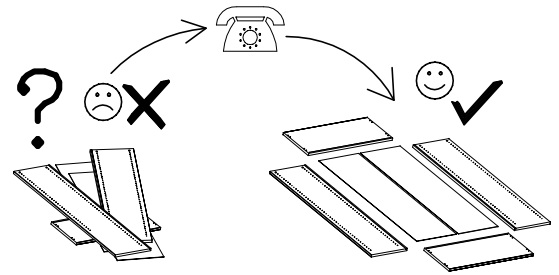
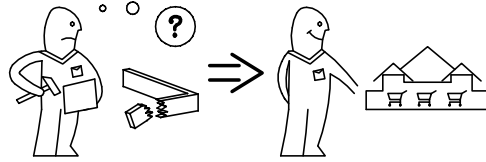
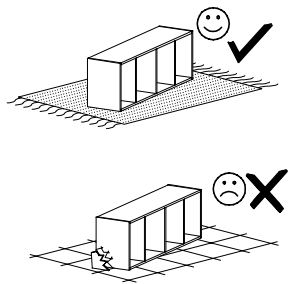


PUSH

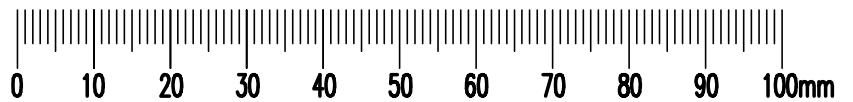
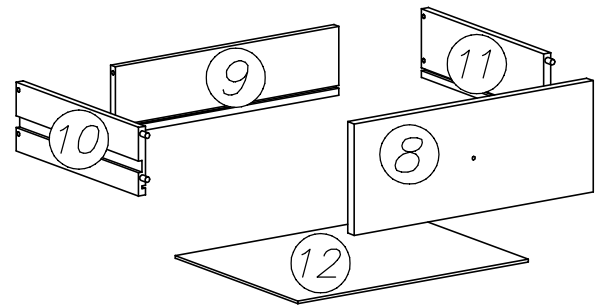
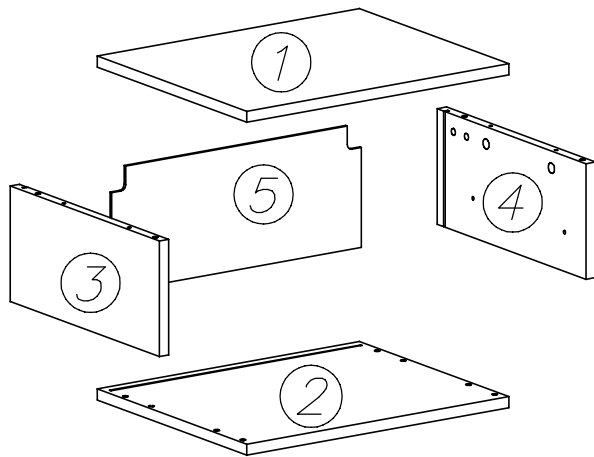
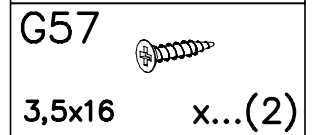


1,5h





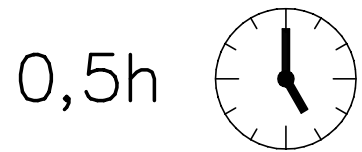
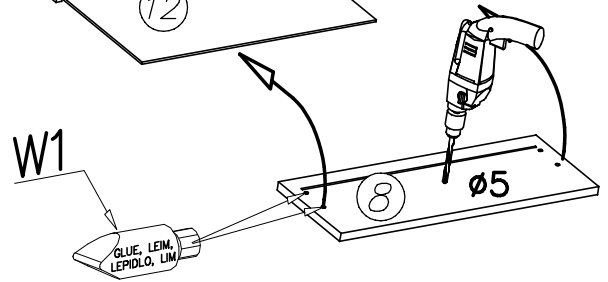
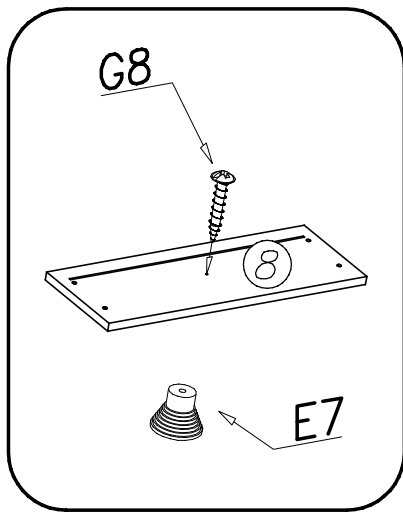
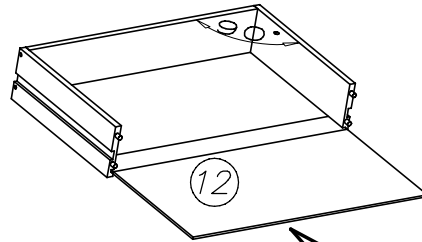
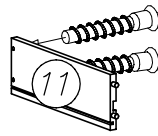
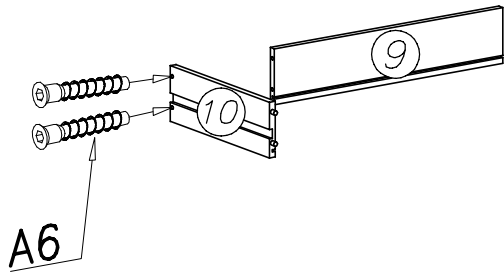
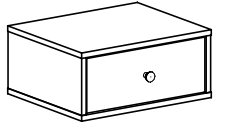
PUSH



U9L x...(1)	U9R x...(1)	H3 280mm x...(2)	G50 6x13 x...(4)
K1 \varnothing 15x12 x...(4)	G8 4x30 x...(1)	N1 M4x9 x...(2)	I1 x...(2)
K10 x...(4)	B1 \varnothing 8x35 x...(8)	W2 x...(1)	A6 \varnothing 7x40 x...(4)
			W1 GLUE, LEIM, LEPIDLO, LIM x...(1)
			A1 \varnothing 7x50 x...(4)

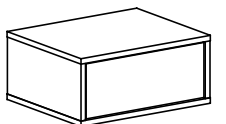
I

A

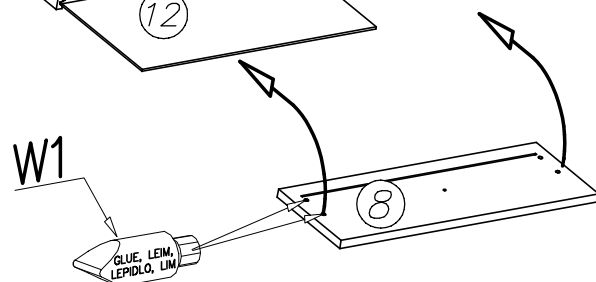
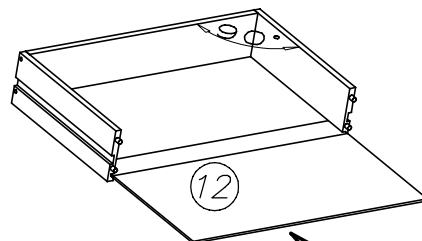
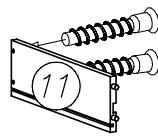
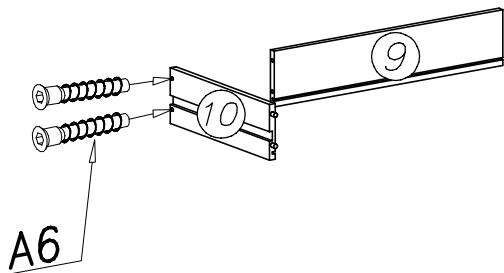


II

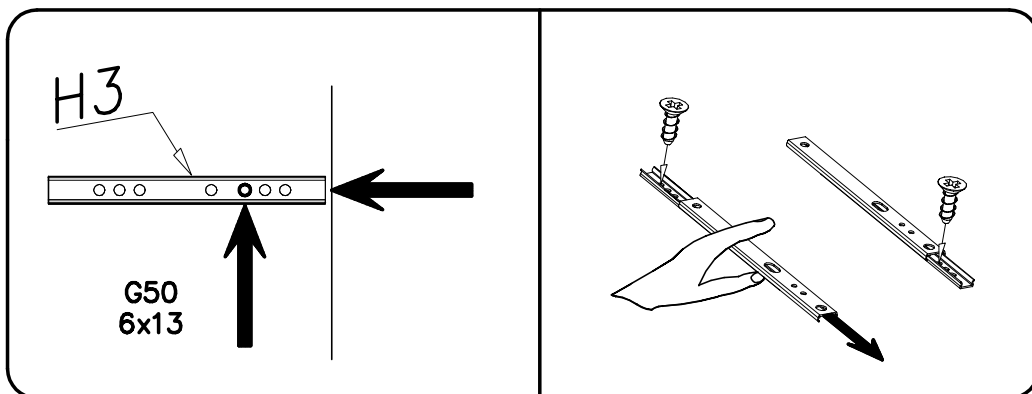
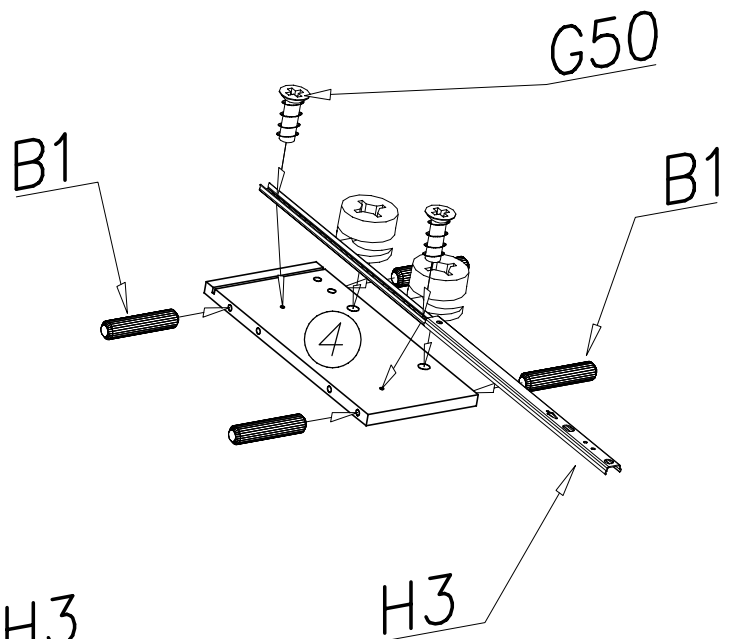
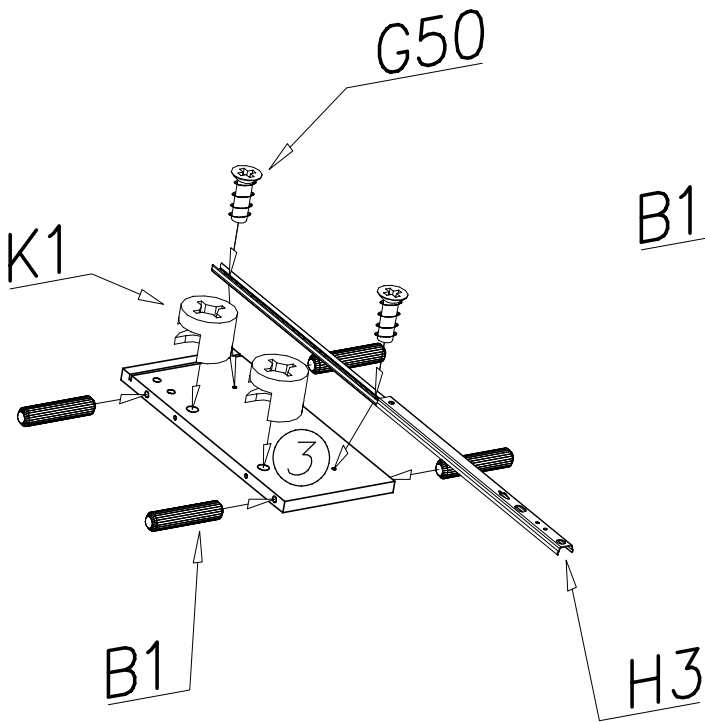
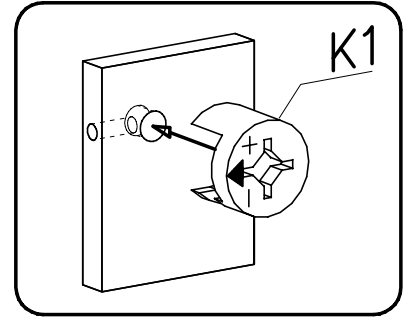
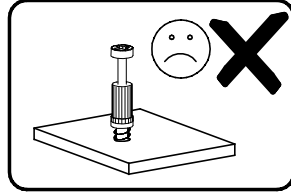
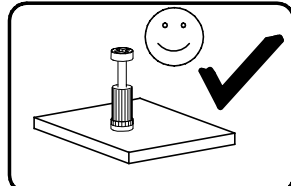
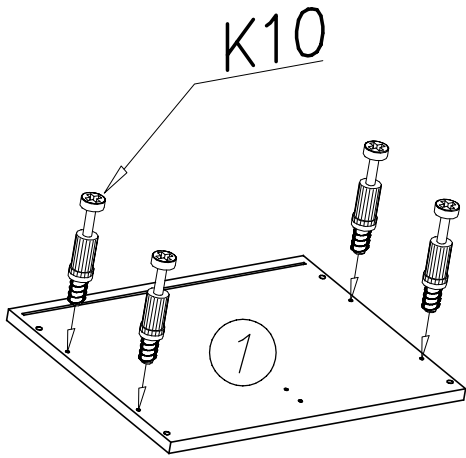
B



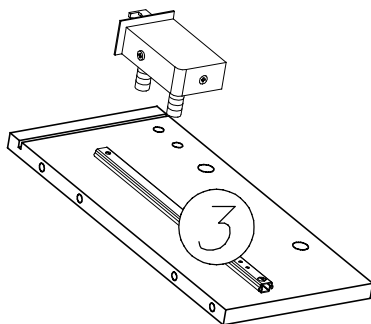
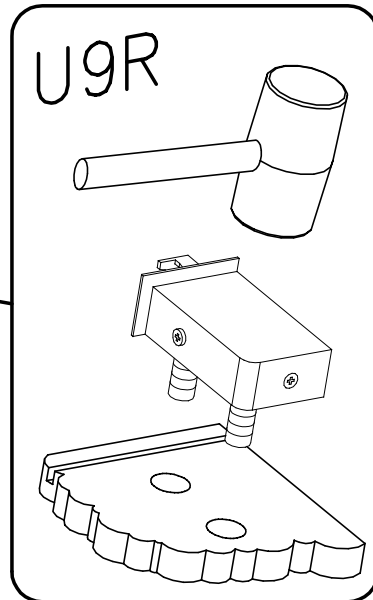
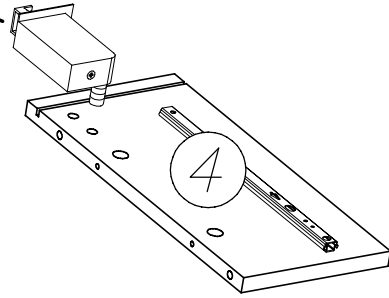
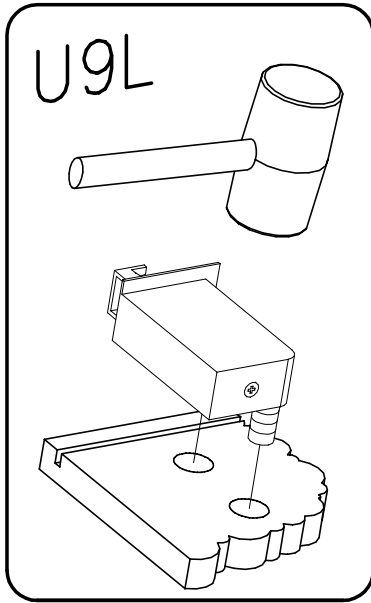
PUSH



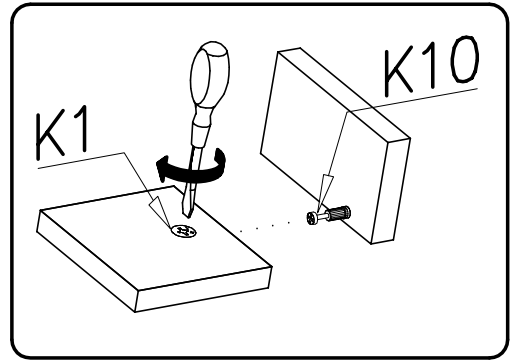
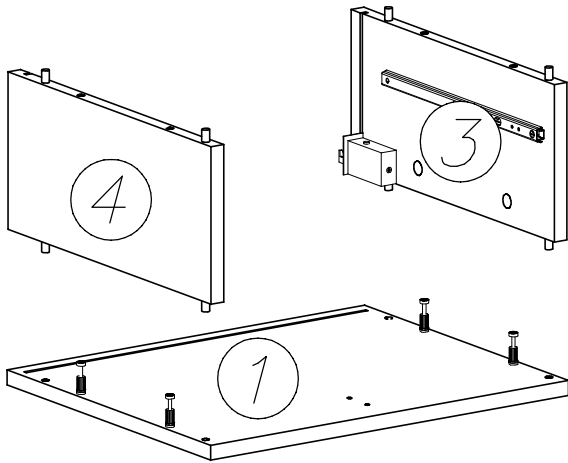
III



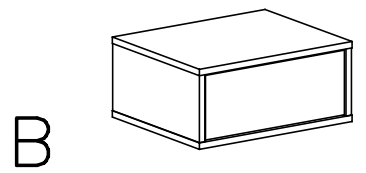
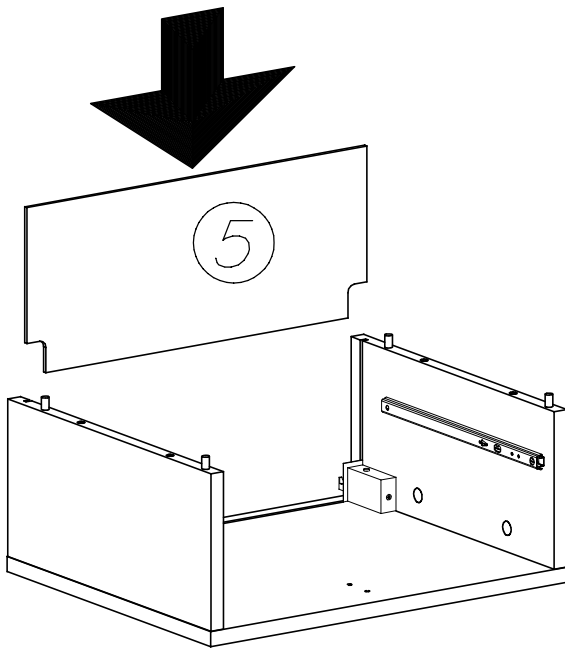
IV



V



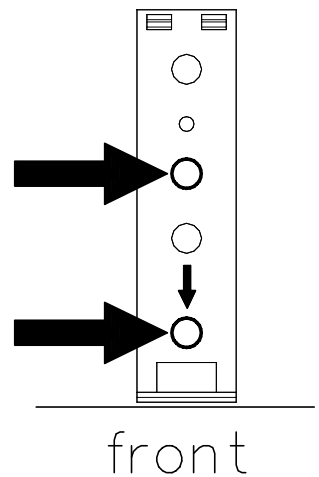
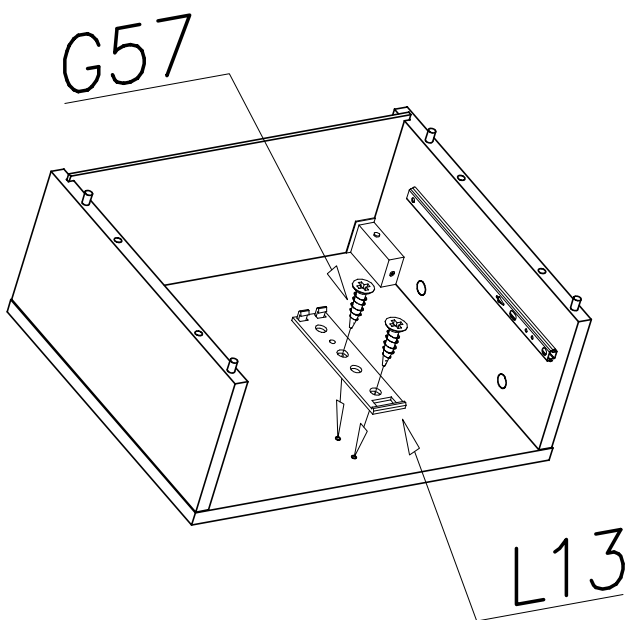
VI



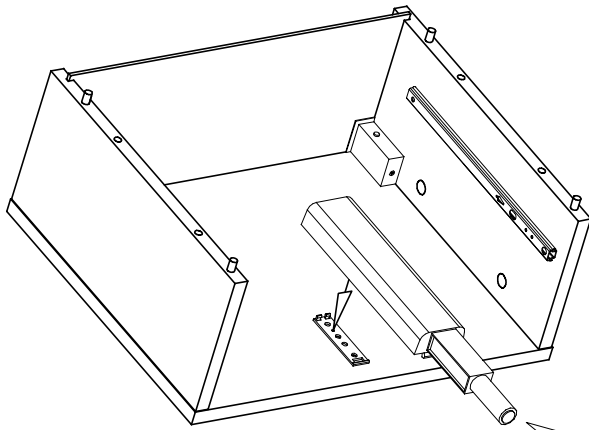
B

PUSH

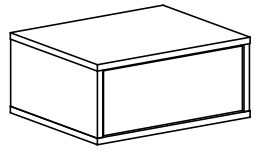
VII



VIII

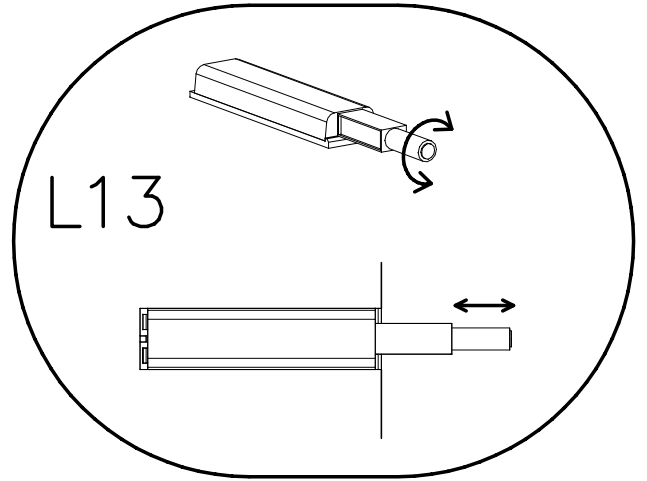
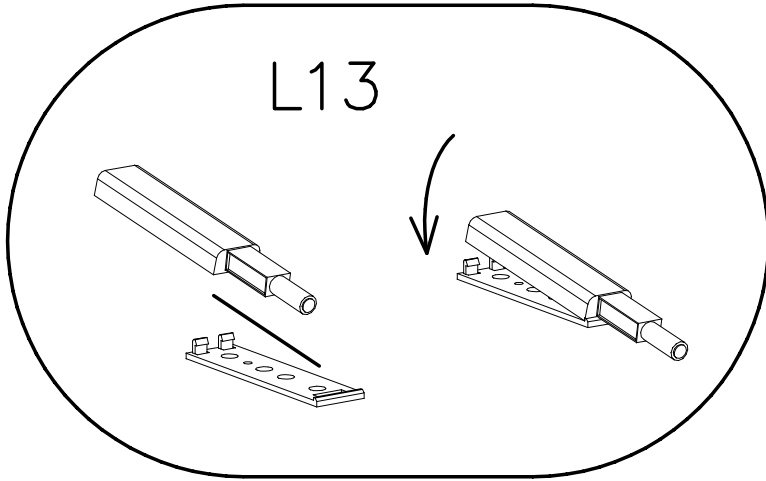


B

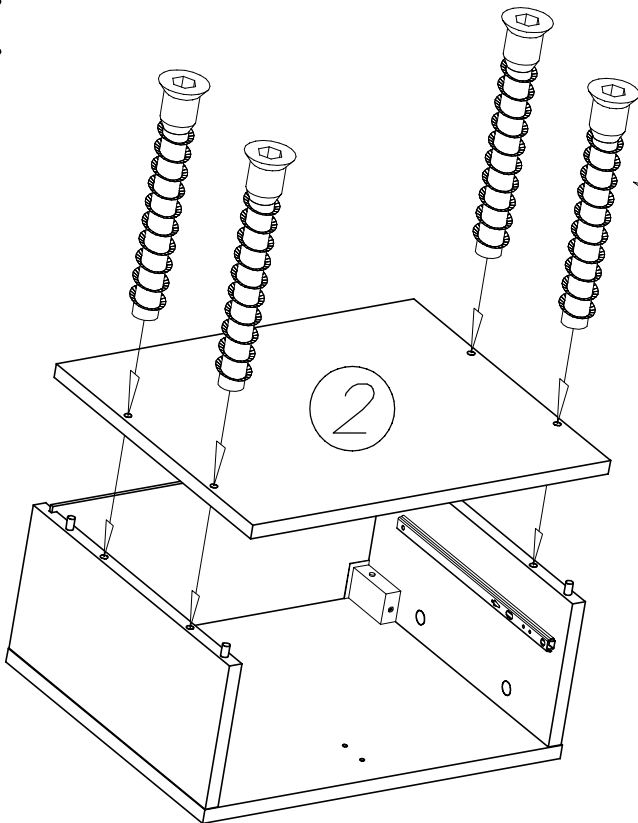


PUSH

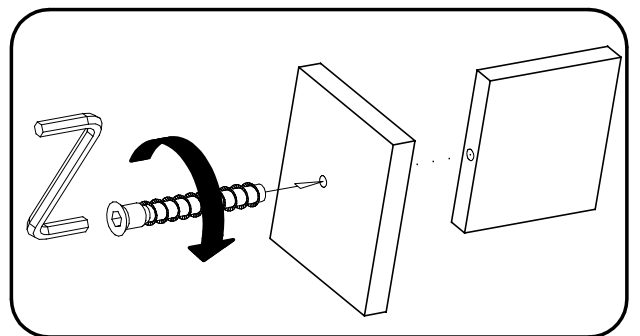
L13



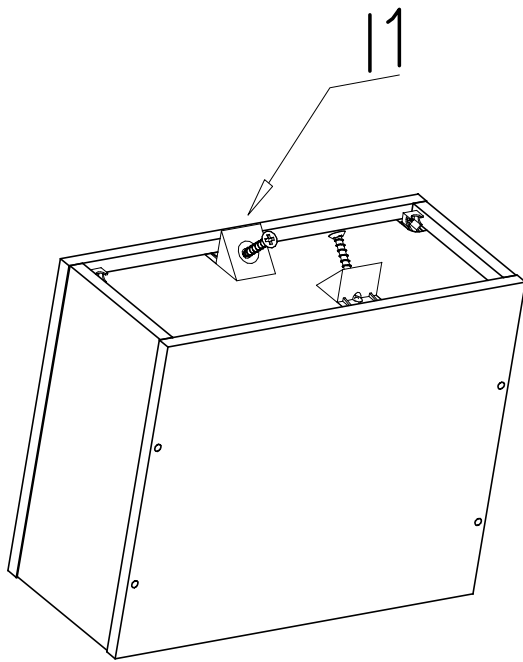
IX



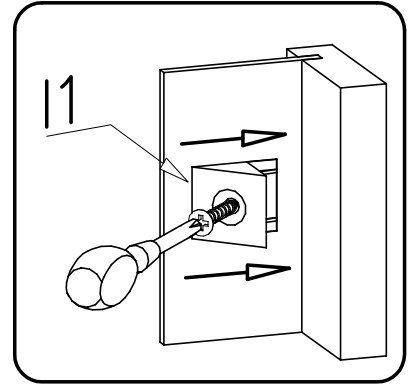
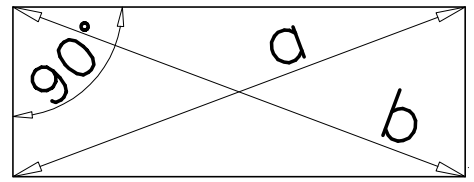
A1



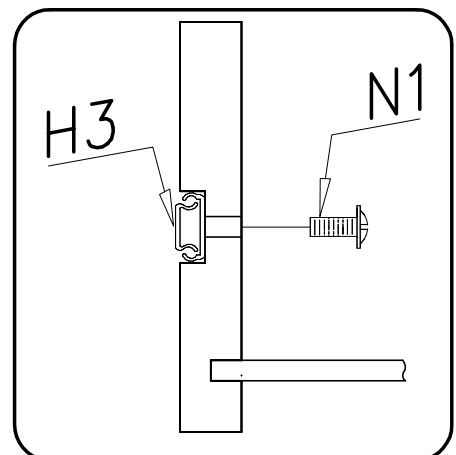
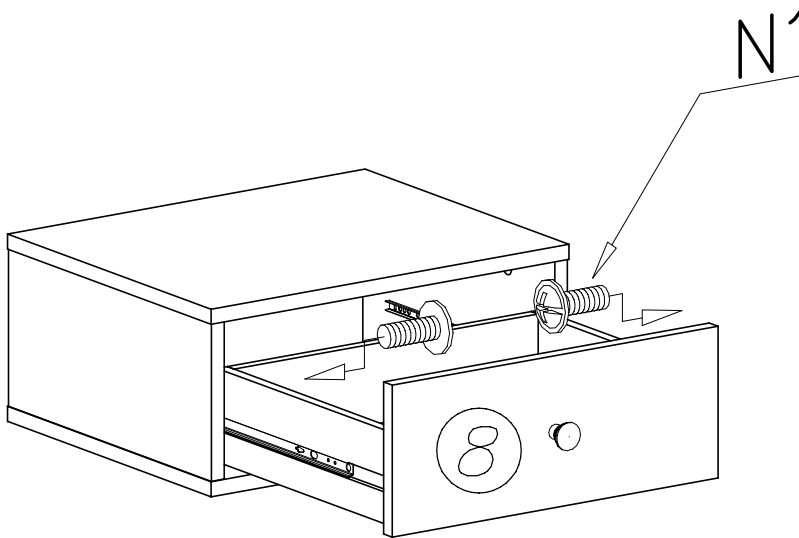
X



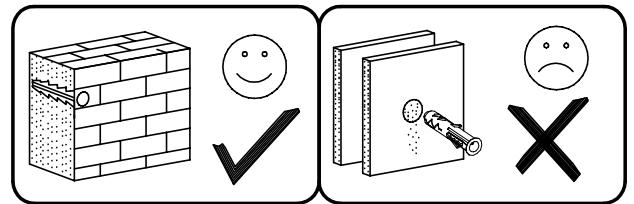
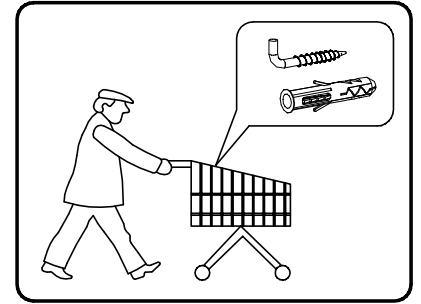
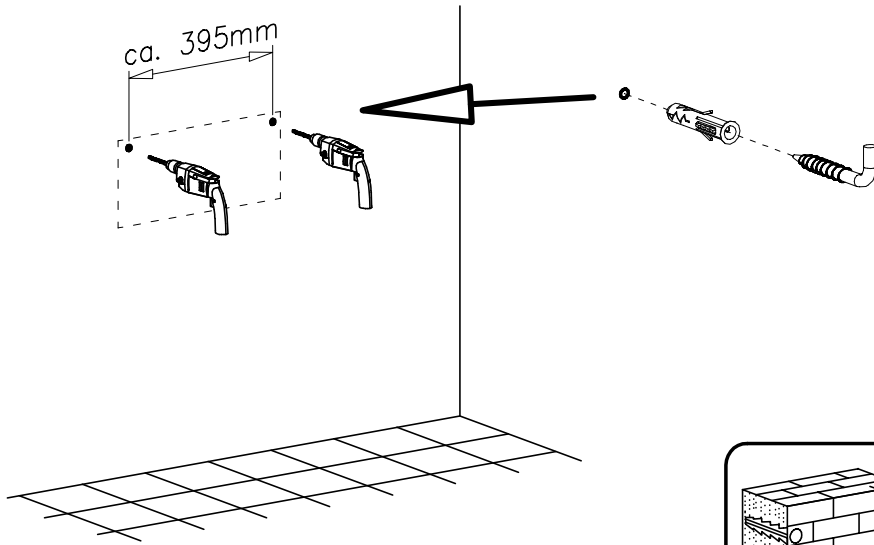
$$a = b$$



XI



XII



XIII

