

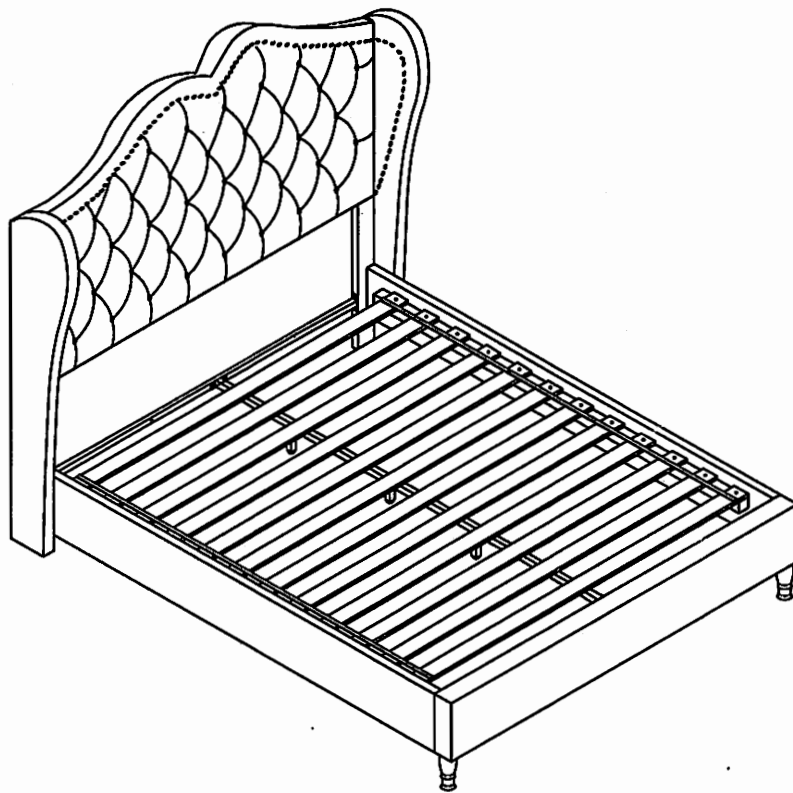
ASSEMBLY INSTRUCTIONS

FULL/QUEEN

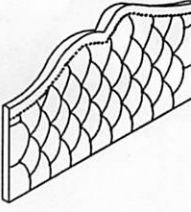
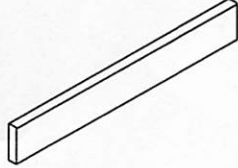
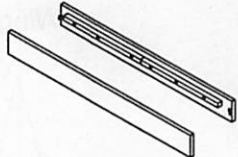

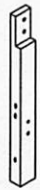

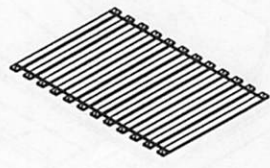
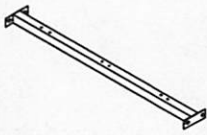

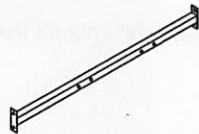
IMPORTANT :PLACE ALL PARTS ON A CLEAN AND SMOOTH SURFACE SUCH AS A RUG OR CARPET TO AVOID THE PARTS FROM BEING SCRATCHED.

KINDLY FOLLOW THE ASSEMBLY INSTRUCTIONS STEP.


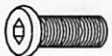





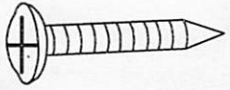
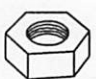
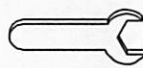
DO NOT TIGHTEN ALL SCREWS UNTIL THE BED IS FULLY SET-UP.



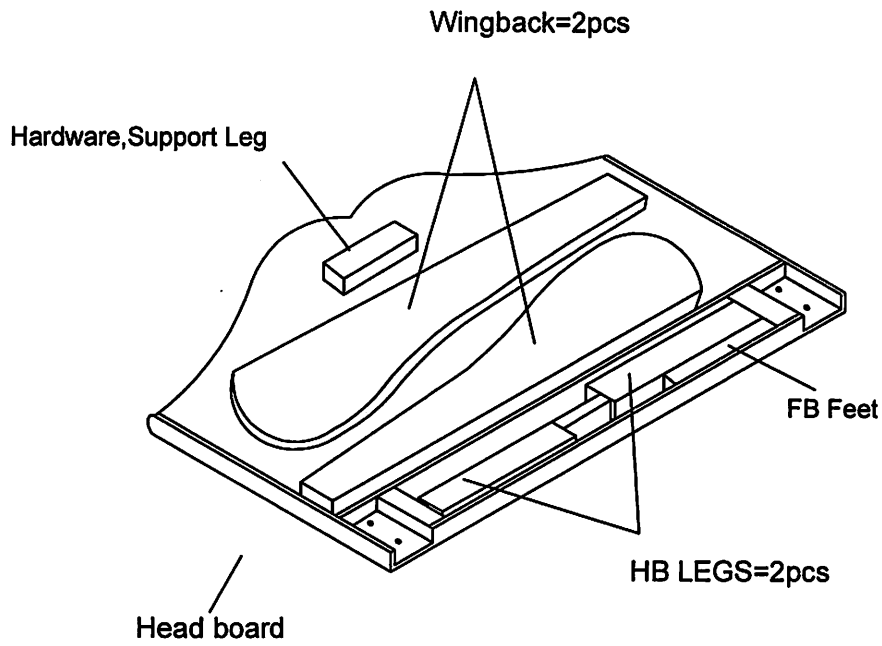
PARTS LIST:

<p>① Head board=1pc</p> 	<p>② Foot board=1pc</p> 	<p>③ Side Rail=2pcs</p> 	<p>④ Wingback=2pcs</p> 
<p>⑤ HB LEGS=2pcs</p> 	<p>⑥ FB Feet=2pcs</p> 	<p>⑦ Slats=12pcs</p> 	<p>⑧ Support Rails=1pc</p> 
<p>⑨ Support Leg=3pcs</p> 	<p>⑩ Crossband=1pc</p> 		

HARDWARE LIST

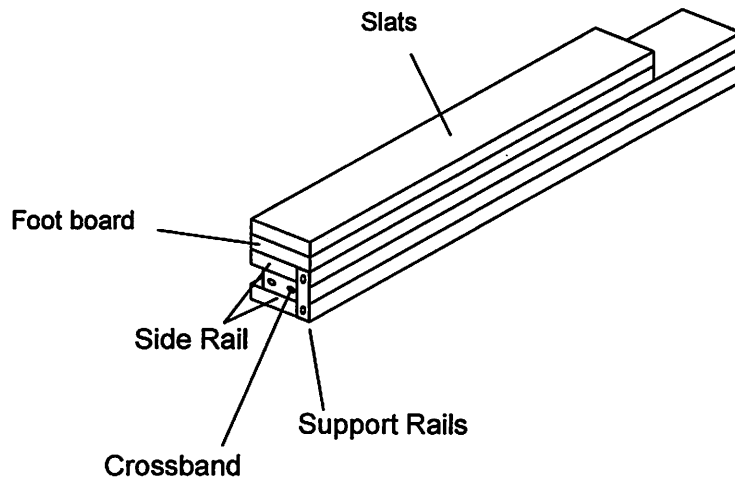
<p>Ⓐ Allen=1pc</p> 	<p>Ⓑ Bolt 5/16*1-1/2"=14pcs</p> 	<p>Ⓒ Bolt 5/16*2"=16pcs</p> 	<p>Ⓓ Bolt 5/16*4"=2pcs</p> 
<p>Ⓔ Flat Washer 5/16*19 =54pcs</p> 	<p>Ⓕ Flat Washer 5/16*22 =10pcs</p> 	<p>Ⓖ Spring Washer =26pcs</p> 	<p>Ⓗ Screw 10mm x1-1/4" =24pcs</p> 
<p>Ⓘ Nut=8pcs</p> 	<p>Ⓙ Wrench=1pc</p> 		

BOX 1/2 CONTENTS

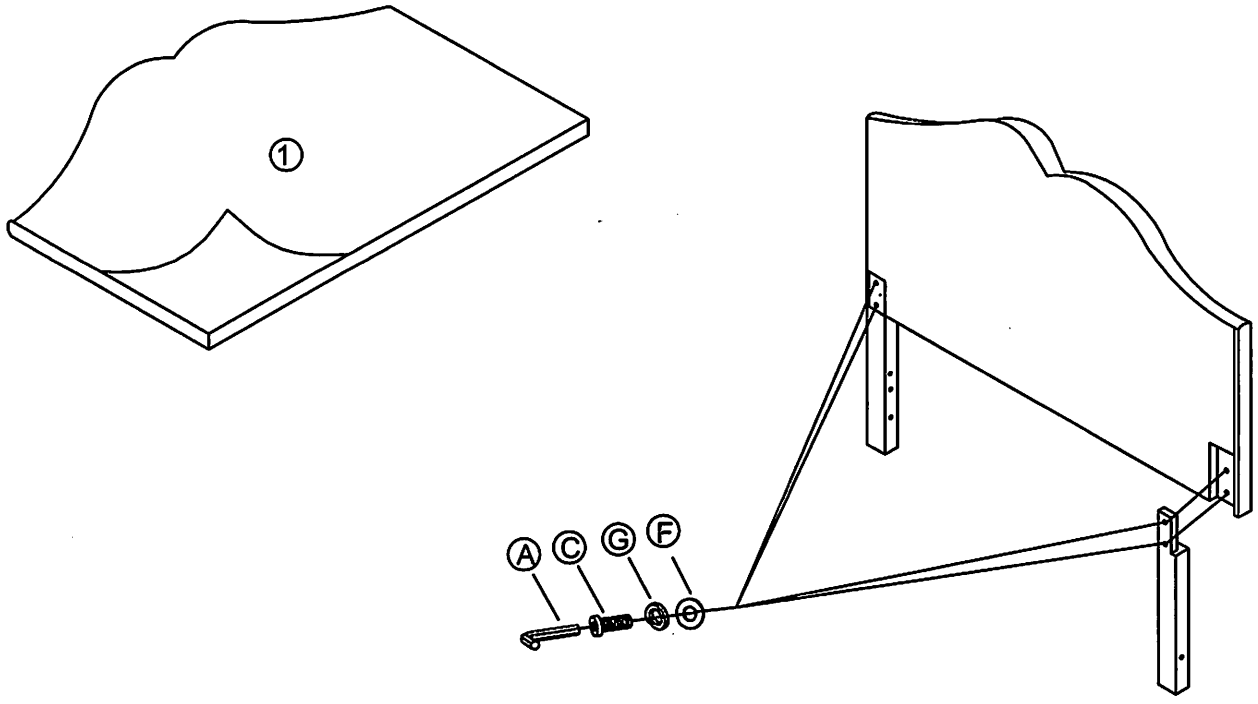


Parts ④⑤⑥⑨ hidden at the back of the headboard, plz lift the cover.

BOX 2/2 CONTENTS

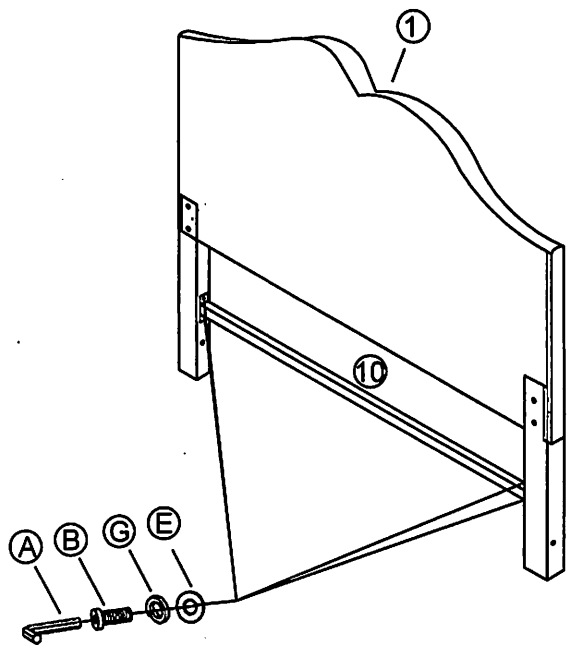


STEP 1

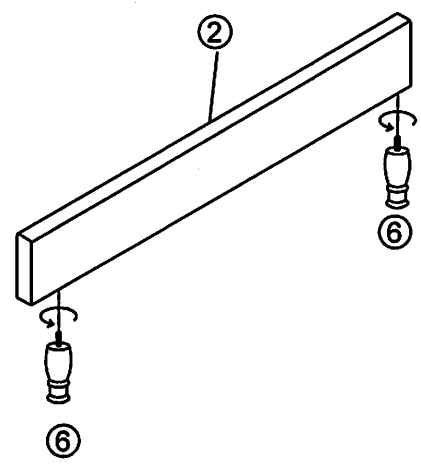


WINGBACKS, HB LEGS, HARDWARES, SUPPORT LEGS, FB FEET, HIDDEN INSIDE OF THE HEADBOARD, PLZ LIFT THE COVER.

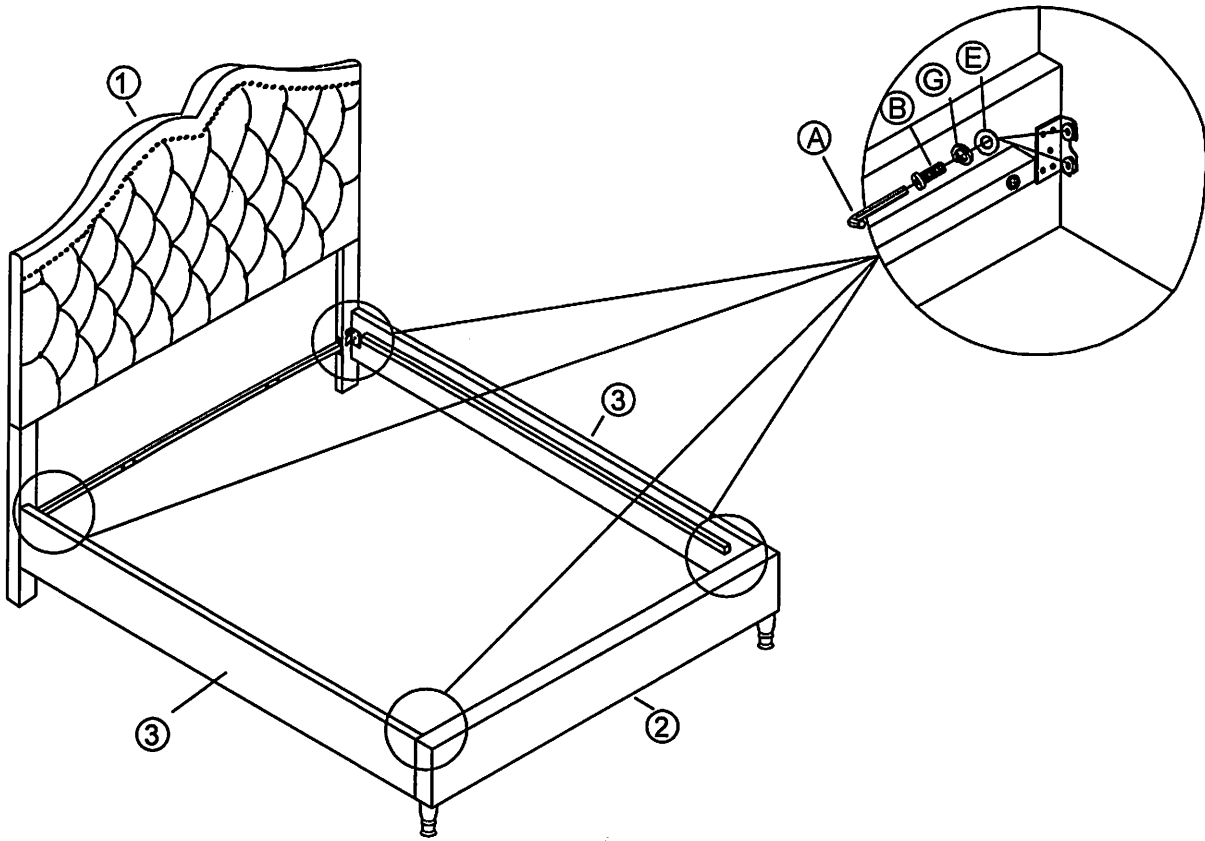
STEP 2



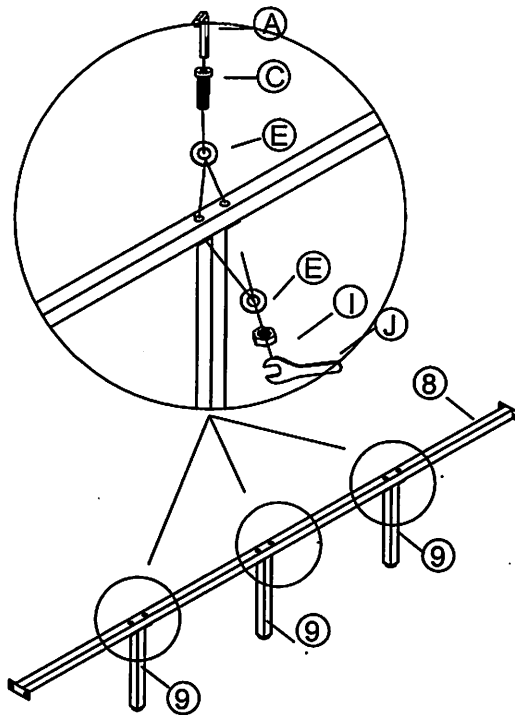
STEP 3



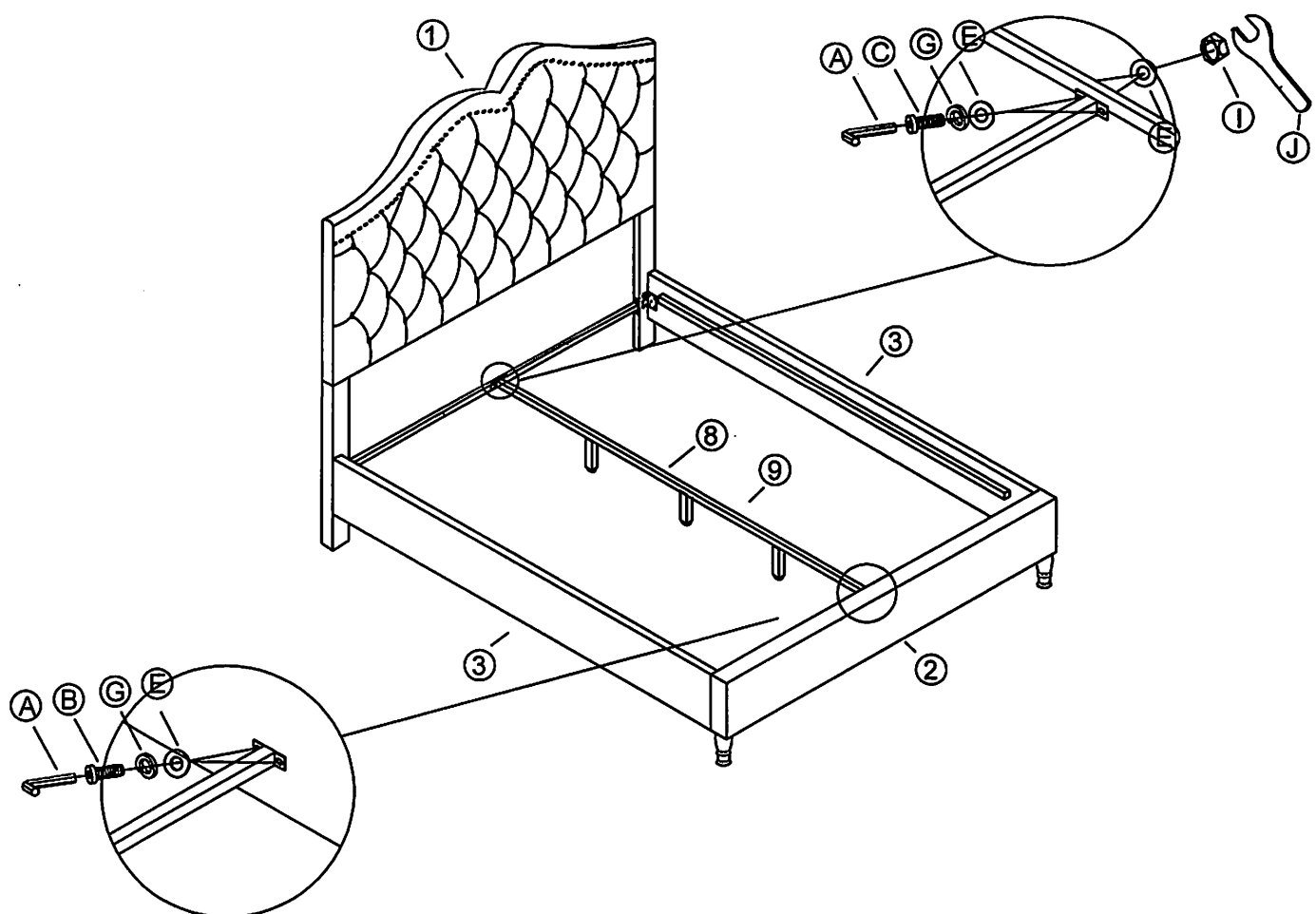
STEP 4



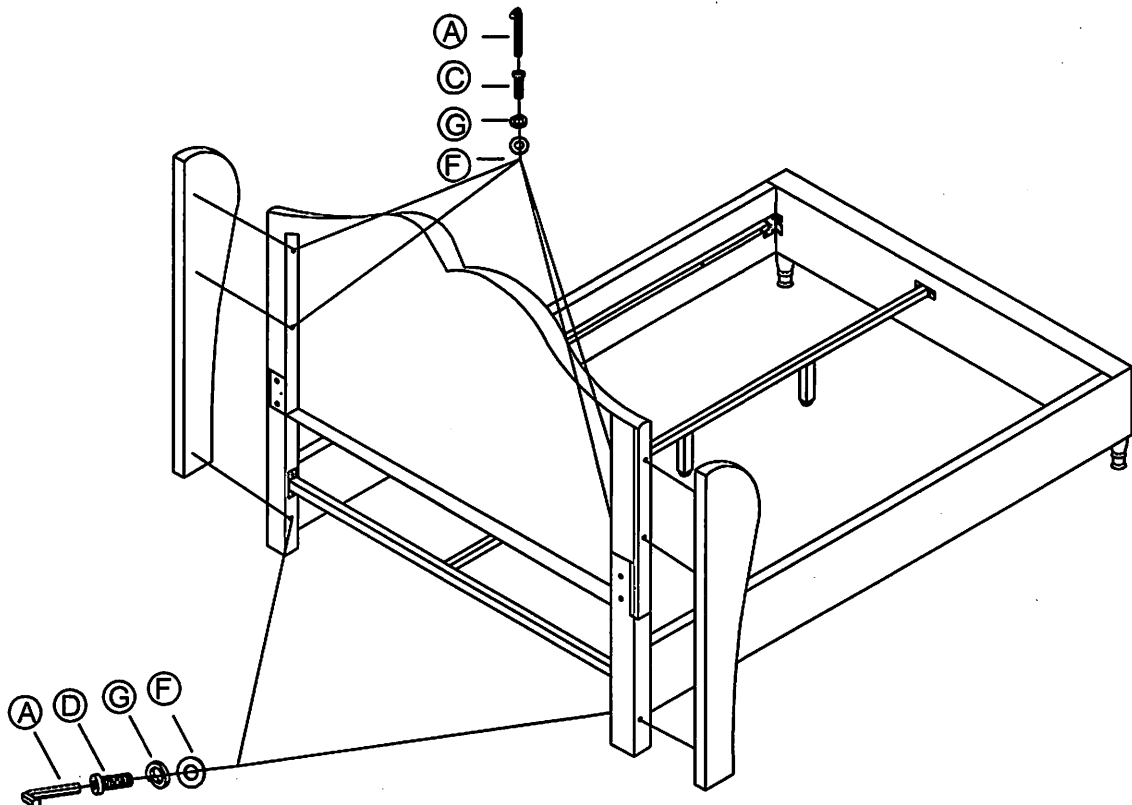
STEP 5



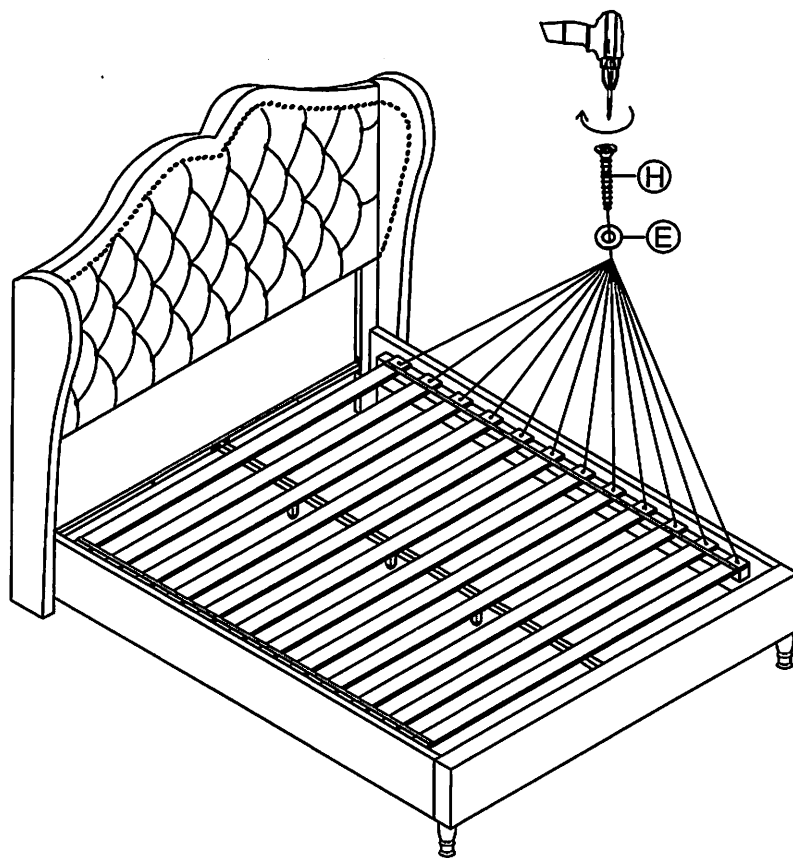
STEP 6



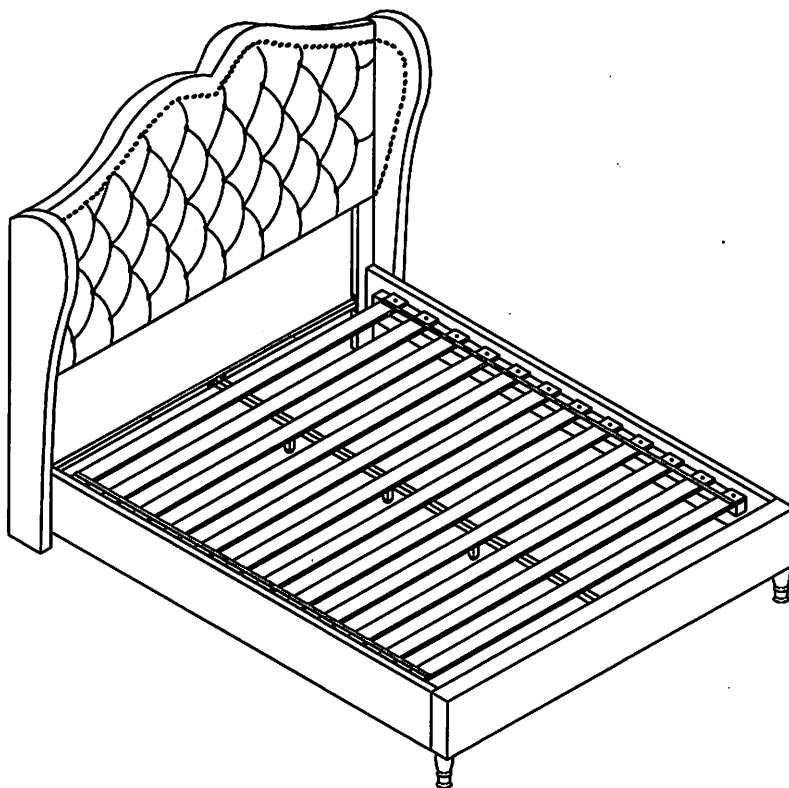
STEP 7



STEP 8



STEP 9



FINAL