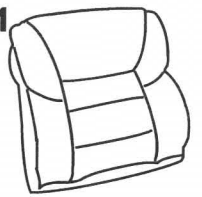


(1)*1



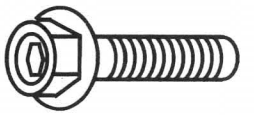
(2)*1



(3)*1(L)*1(R)



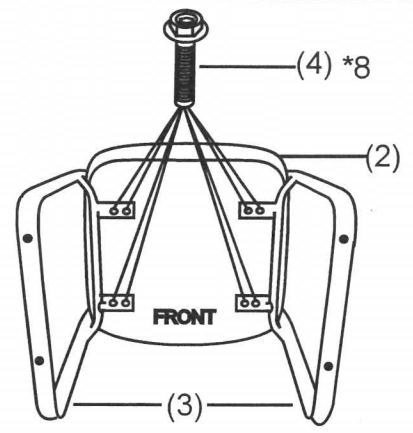
(4)* 1 2



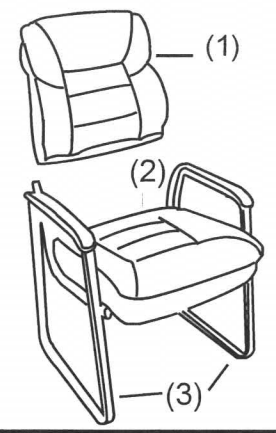
(5)* 1



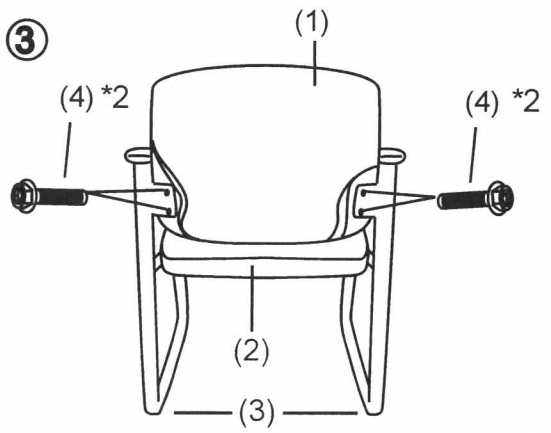
①



②



③



④

