

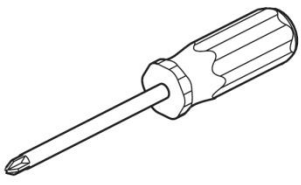
**INSTALLATION GUIDE**



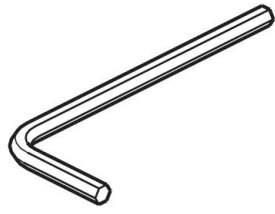
**SINGLE-HANDLE BATHROOM SINK FAUCET**

**CUSTOMER CARE LINE: +1-866-203-0866**

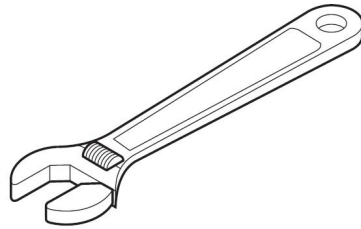
## TOOLS RECOMMENDED



Philips Screwdriver



Allen Wrench



Adjustable Wrench



Channel Locks



Teflon Tape

### 1. BEFORE PROCEEDING



**WARNING:** Before beginning any installation or operation, read all instructions carefully. If you are unsure about installing this product, consult a licensed professional. This product must be installed in compliance with all applicable local and state plumbing and building codes. Professional assistance is strongly recommended.

### 2. SHUT OFF WATER SUPPLY

Locate the water supply inlets and turn off the corresponding water supply valves, typically located under the sink or near the water meter. If replacing an existing unit, remove the old unit and thoroughly clean the mounting surface to ensure proper installation.

### 3. CHECK THE COMPONENTS OF THE BOX

Upon opening the box, verify that all of the following items are included.

### 4. INSTALLATION HOLES INSPECTION

Ensure the installation hole size is accurate, with a recommended diameter of "B".

Code	Dimensions - Inch	Dimensions - mm
A	Max: 1-3/8"	Max: 35
B	Ø 1-1/4" ~ 1-3/8"	Ø 32~35

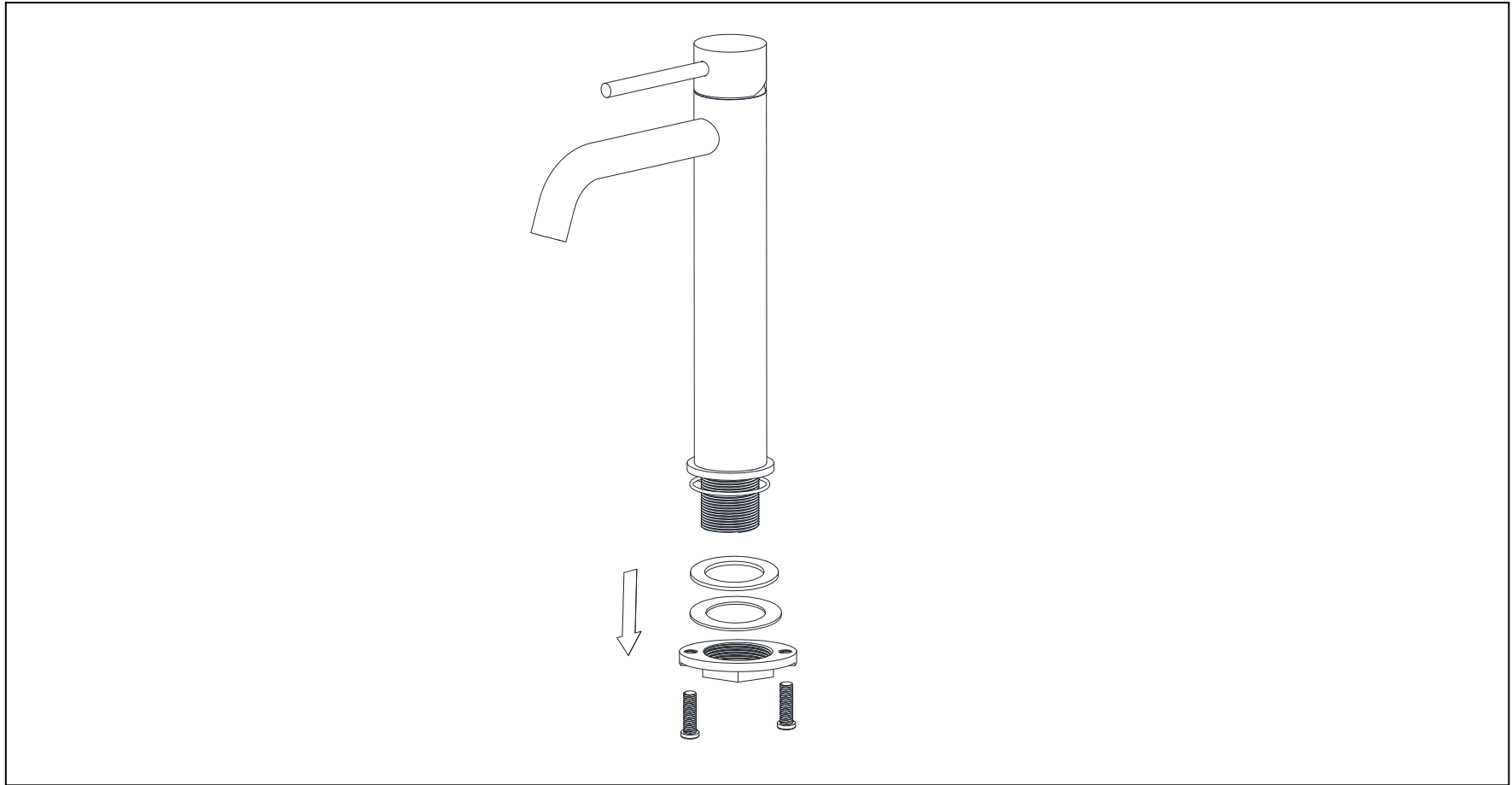
### 5. INSTALLATION

**5.1** Before starting the faucet installation, open the shut-off valves to flush the hot and cold water supply lines. Allow the water to run for 3 to 5 minutes to remove any dirt or debris from the pipes. After flushing, close the shut-off valves.

**3~5 Min**

**Hot**                      **Cold**

**5.2** Remove the mounting hardware from the mounting shank.



**5.3** Connect the provided hot and cold steel braided water supply lines to their corresponding threaded connectors at the bottom of the faucet (hot on the left, cold on the right). Hand-tighten each supply line, then use a wrench or pliers to secure them. Do not overtighten to avoid damaging the threaded connectors.

Code	Dimensions - Inch	Dimensions - mm
C	Ø1-1/4"	Ø32

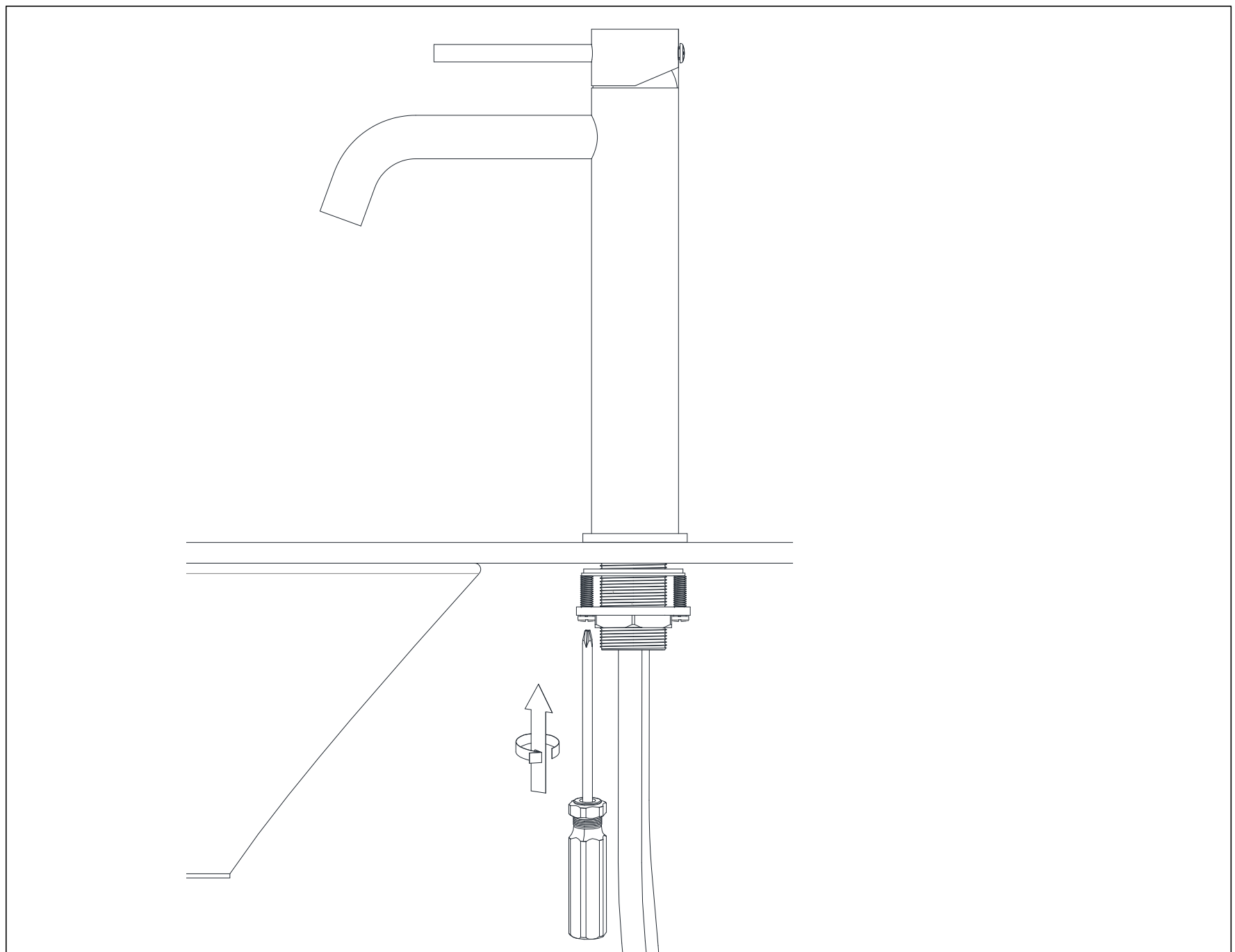
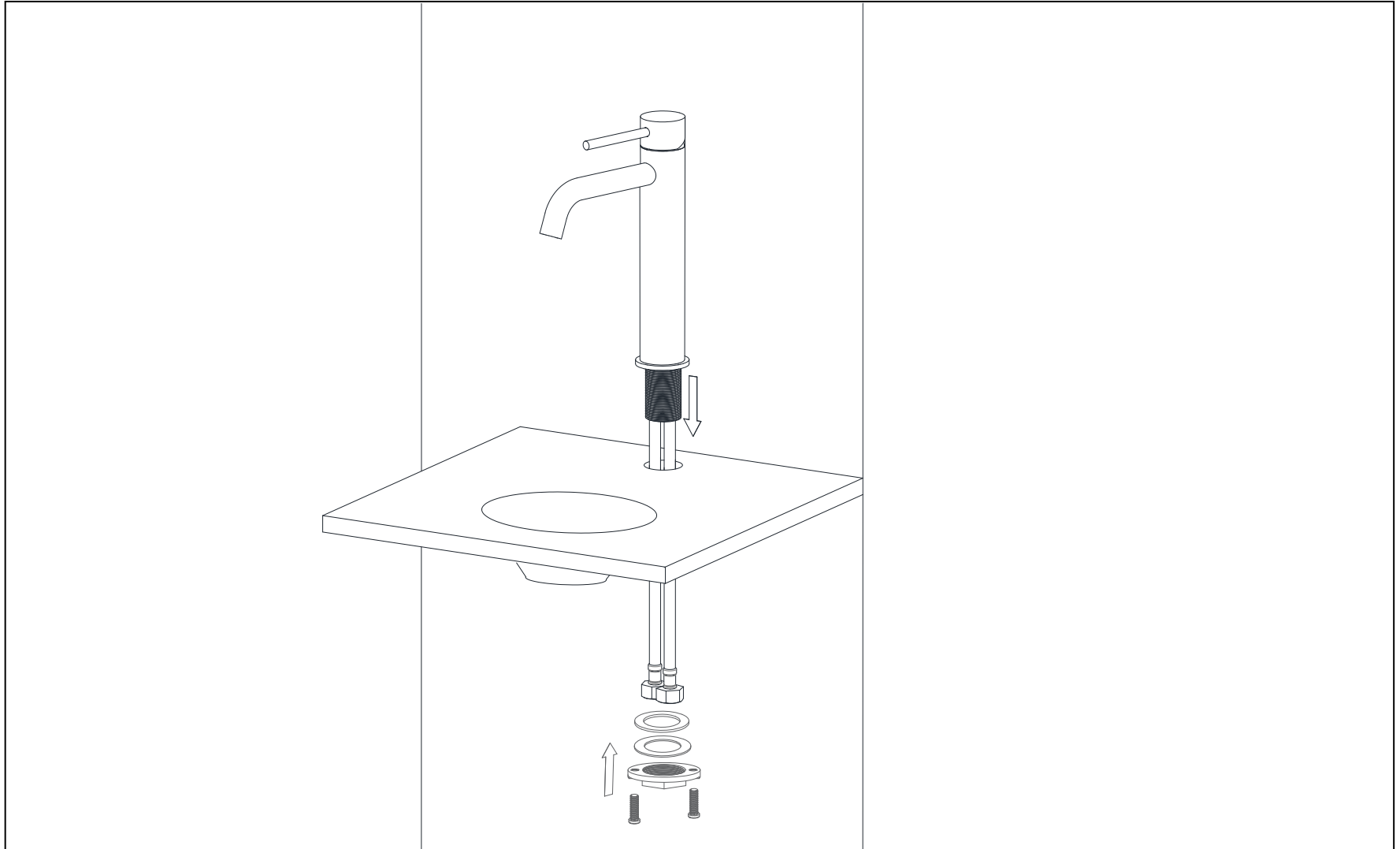
C

"A": Hole For Hot Water Inlet

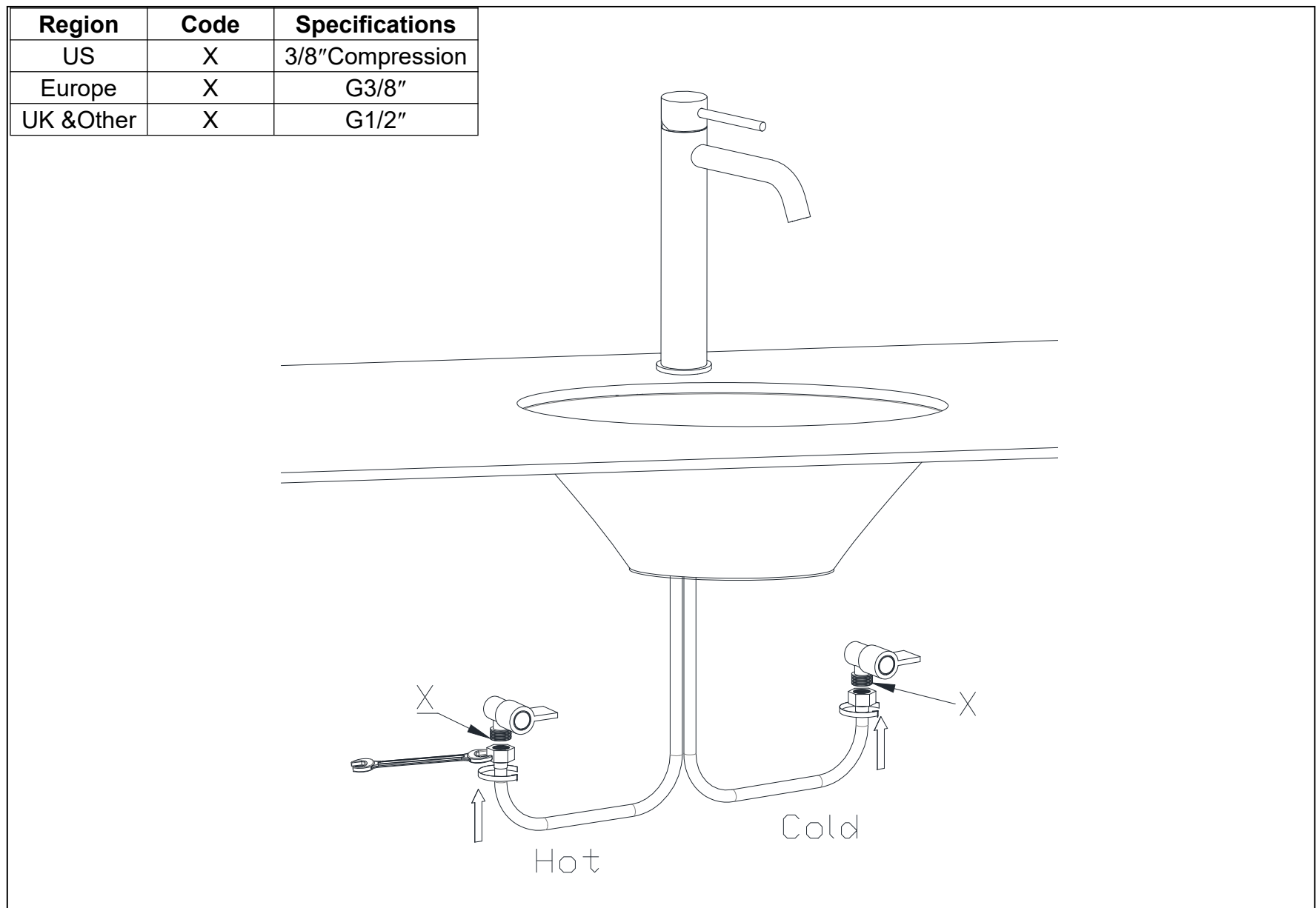
"B": Hole For Cold Water Inlet



**5.4** Insert the faucet body through the mounting hole. From underneath the countertop, slide the rubber washer, metal washer, and provided locknut onto the shank in the correct order. Hand-tighten the locknut first, then use a wrench and Phillips screwdriver to secure it. Do not overtighten to avoid damaging the components.



**5.5** Connect the hot and cold water hoses from the faucet to the corresponding hot and cold supply valves. Use a wrench to securely tighten the mounting nut. Do not overtighten to avoid damaging the connectors.



**6. INSPECTION**

Turn on the hot and cold water supplies and check all connections to ensure there are no leaks.

**INSTALLATION COMPLETE**



North America	Asia	Europe
SUMERAIN INTERNATIONAL GROUP INC	HONGKONG SUMERAIN SANITARY INDUSTRY CO., LIMITED	SUMERAIN EUROPE SUPPORT TEAM
Add: 1226 NORTH KING ST NUM 522 WILMINGTON, DE 19801 United States	Add: FLAT/RM 3B 3/F BANK TOWER NOS.351&353 KING'S ROAD NORTH POINT,HONGKONG	Add: Flottwellstr.15 10785 Berlin, Deutschland
Tel: +1(866)203-0866	Tel: +86-750-2731579	Tel: +49 (0)30/23975898
E-mail: supports@sumerain.us	E-mail: supports@sumerain.com	E-mail: de@sumerain.com