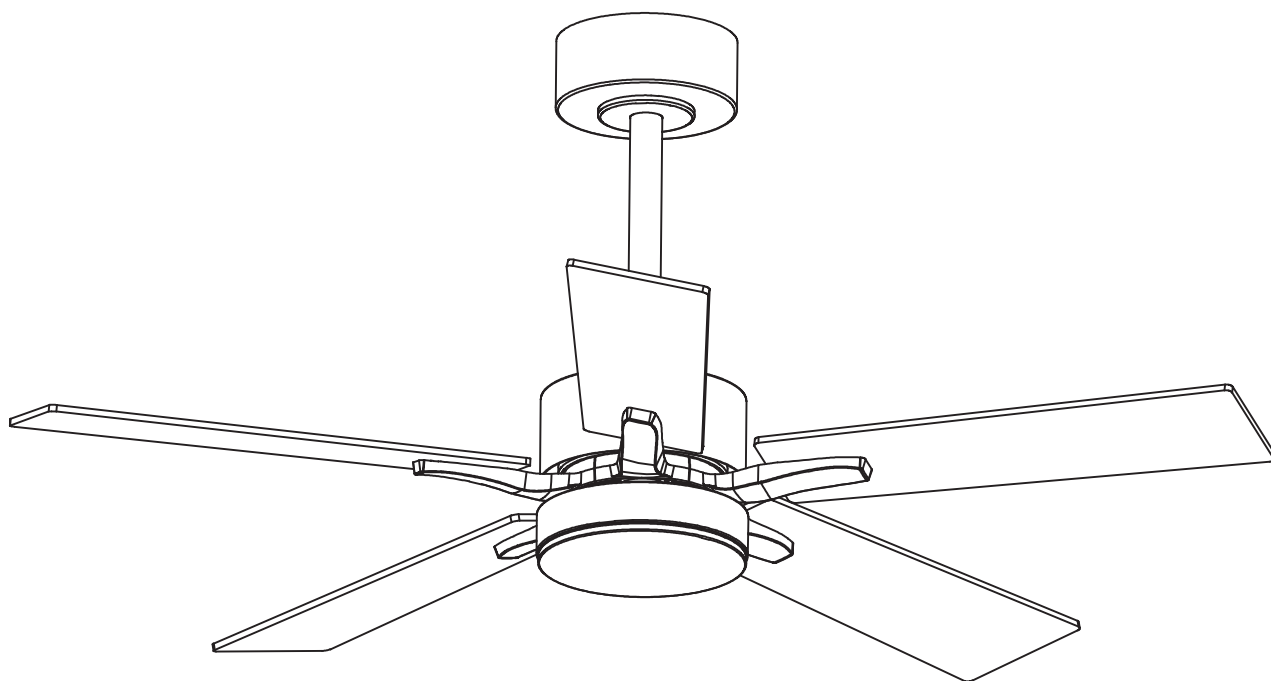


# INSTALLATION & USER MANUAL



# Table of Contents

Table of Contents.....	2	Exploded View.....	4
Safety Information.....	2	Installation Instructions.....	5-10
Dimension Reference.....	3	Troubleshooting Guide.....	5-11
Hardware Included.....	3	Balancing Kit .....	12
Fan Parts Included.....	3		

## Safety Information

### READ AND SAVE THESE INSTRUCTIONS

1, To reduce the risk of electric shock, ensure electricity has been turned off at the circuit breaker or fuse box before you begin .

2. All wiring must be in accordance with the National Electrical Code"ANSI/NFPA 70" and local electrical codes. Electrical installation should be performed by a qualified licensed electrician.

3, The outlet box and support structure must be securely mounted and capable of reliably supporting a minimum of 35 lbs (15.9 kg). Use only UL Listed outlet boxes marked " Acceptable for Fan Support of 35 lbs.(15.9 kg) or less.

4. Do not place objects in the path of the blades.

5. To clean the fixture , turn off the power, wait for it to cool, and wipe the fixture with a clean dry soft cloth.

6. After making electrical connections, spliced conductors should be turned upward and pushed carefully up into the outlet box. The wires should be spread apart with the grounded conductor and the equipment-grounding conductor on one side of the outlet box and ungrounded conductor on the other side of the outlet box.

7. All screws must be checked and re-tightened where necessary before installation .



**WARNING:** To reduce the risk of electrical shock or fire, not use this fan with any solid-state fan speed control device. it will permanently damage the electronic circuitry .



**WARNING:** To reduce the risk of fire or injury do not use this production conjunction with any warablerheosai) wall conical.



**WARNING:** To reduce the risk of personal injury, don't bend the blade brackets when installing the racketbalancing the blades, or dealing the fan. Do not insert objects.



**WARNING:** To reduce the risk of fire, electric shock or personal injury , mount to outlet box marked " acceptable for fan support of af 35 lbs. (15,9 Kg) or less and use screws provided with the outlet box



**WARNING:** To avoid possible electrical shock, turn the electricity off at the main fuse box before



**WARNING:** To reduce the risk of electrical shock, this must be installed with an isolating wall control / switch,



**CAUTION:** To reduce the risk of personal injury use any the screws provided with the outlet box.



**CAUTION:** Please use carefully when working around or cleaning the fan to avoid injury or damage of fan.

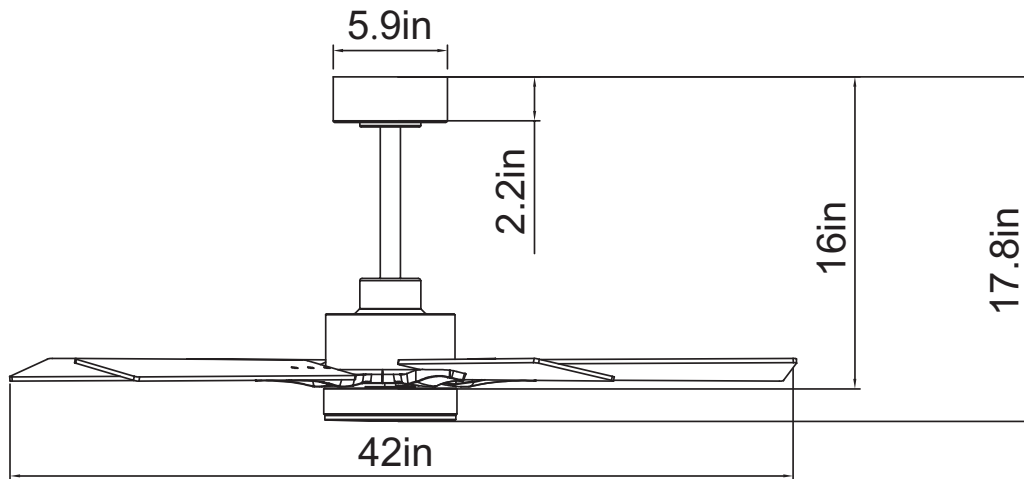


**CAUTION:** The fan must be mounted with a minimum of 7 ft (2.1 m) clearance from the trailing edge of the blades to the floor.



**CAUTION:** Changes or modifications not expressly approved by the party responsible for compliance could void the user's authority to operate the equipment.

## Dimension Reference



## Hardware Included



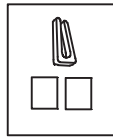
S1



S5



S2



S6



S3



S4

S7

### Hardware Package

### Quantity

S1.Machine Screw

2

S2.Washer

15

S3.Wood Screw

4

S4.Wire Nut

3

S5.Blade Screw

15

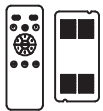
S6.Balance Kit

1

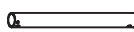
S7.Remote Bracket Screw

2

## Fan Parts Included



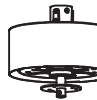
1



7



2



8



3



9



4



10



5



11



6



12



13

### Item name

### Quantity

1.Remote Control

1

2.Hanger Bracket

1

3.Canopy

1

4.Canopy Cove

1

5.York Cover

1

6.Downrod

1

7.Long Downrod

1

8.Motor Housing

1

9.Lamp Housing

1

10.Light Source Module

1

11.Lamp Shade

1

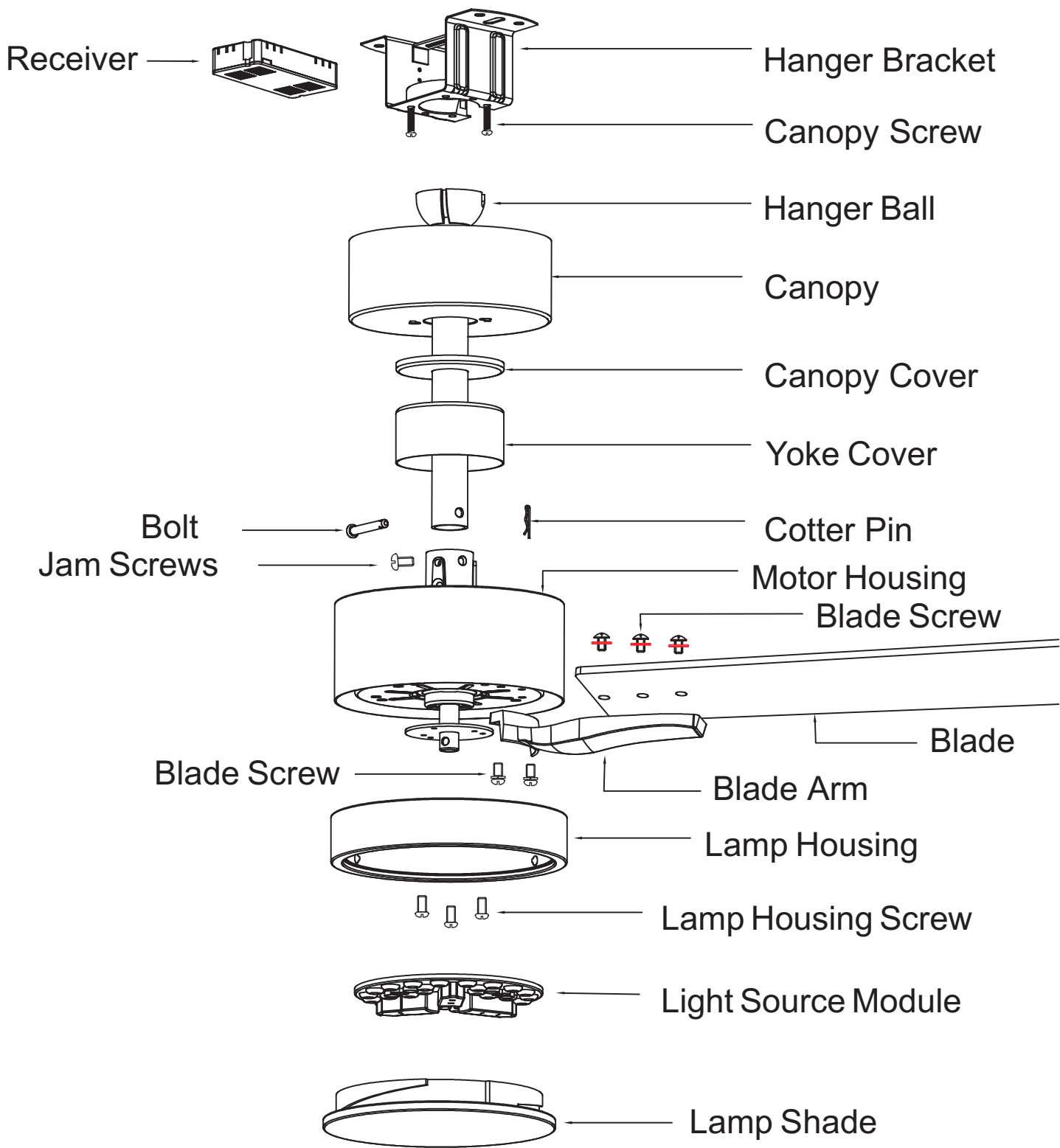
12.Blade Arm

5

13.Blade

5

# Exploded View

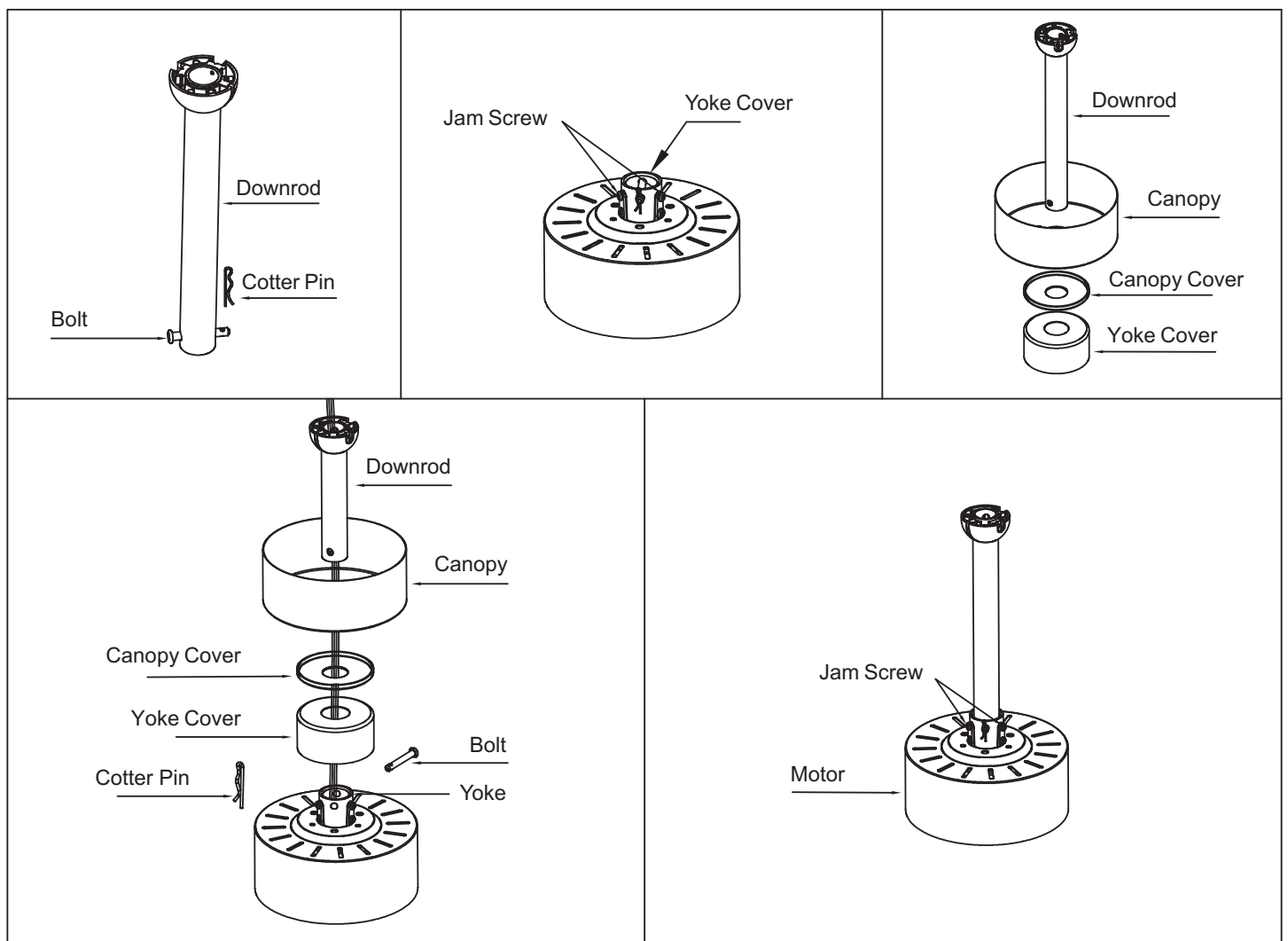


# Installation Instructions

## Step1: Mounting

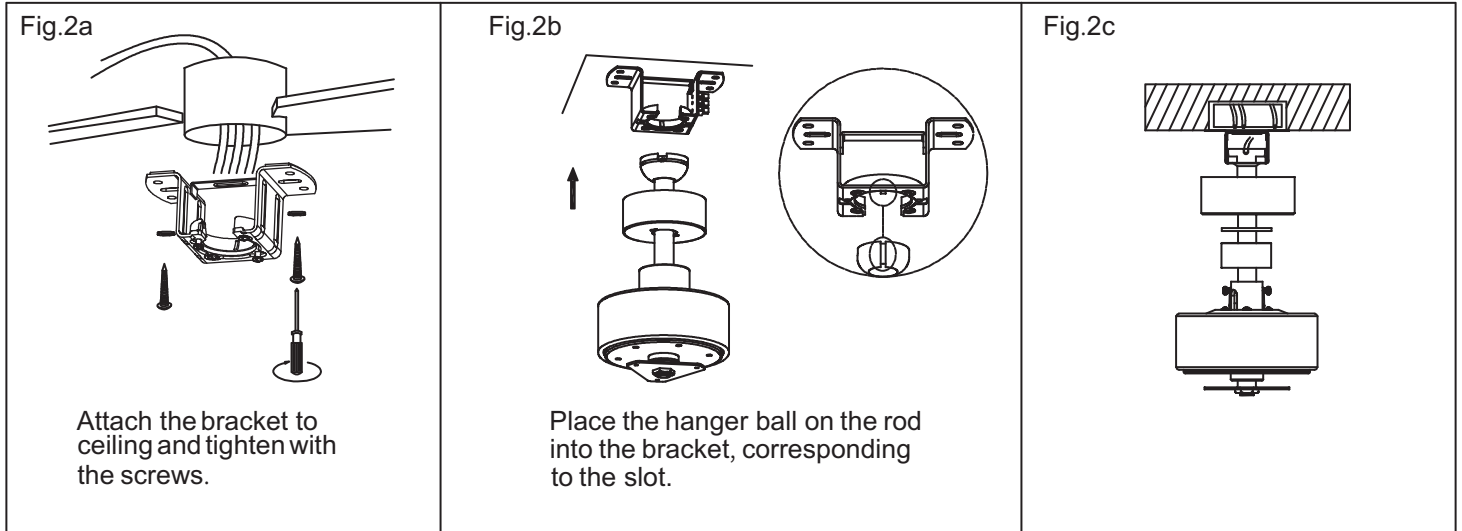
- Take out fan down rod.
- Remove cotter pin and bolt from downrod.
- Take out fan motor housing.
- Loosen jam screw in yoke until it is flush with the inside surface.
- Place the down rod into the canopy, canopy cover, and yoke cover.
- Route wires through yoke cover, canopy and downrod out of the motor.
- Insert bolt into hole in and downrod. Be careful not to damage or cut the fan wires.
- Tighten bolt. Secure with a cotter pin through hole in the end of the bolt.
- Secure down rod in position by tightening jam screws.

**CAUTION:** To ensure wobble-free operation and to avoid damage to the fan, the downrod and the set crew must be completely tightened.

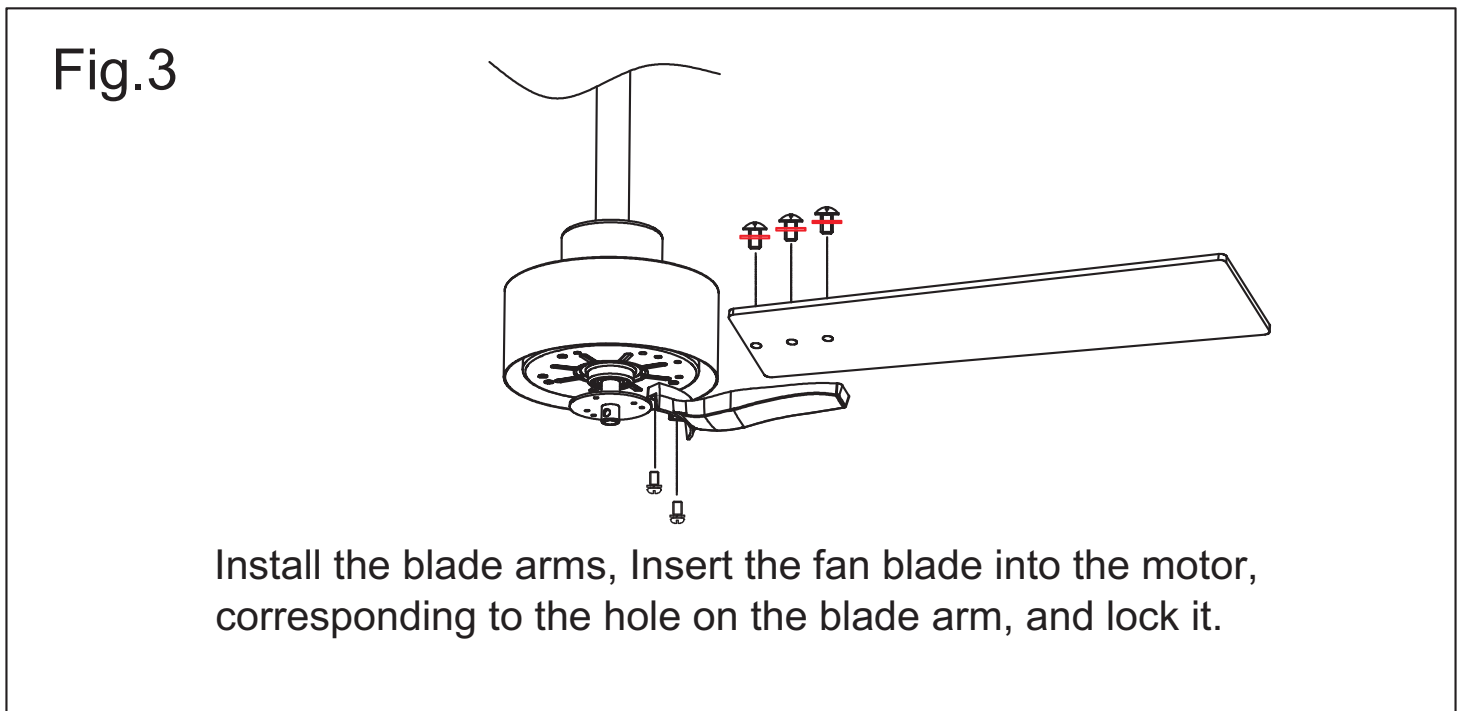


# Installation Instructions

## Step2 INSTALL MOUNTING BRACKET



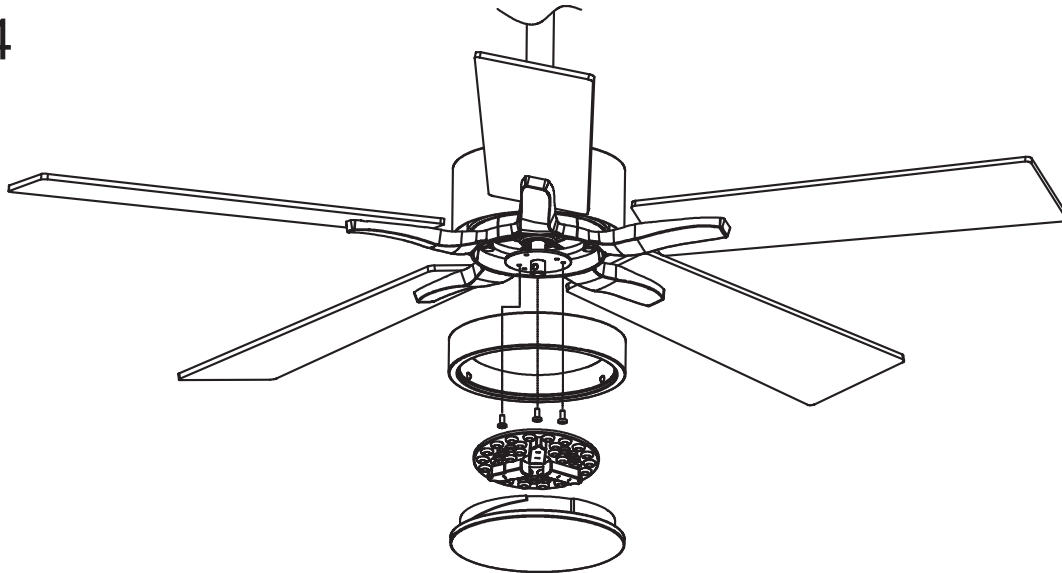
## Step3 Attaching the Fan Blades.



## Installation Instructions

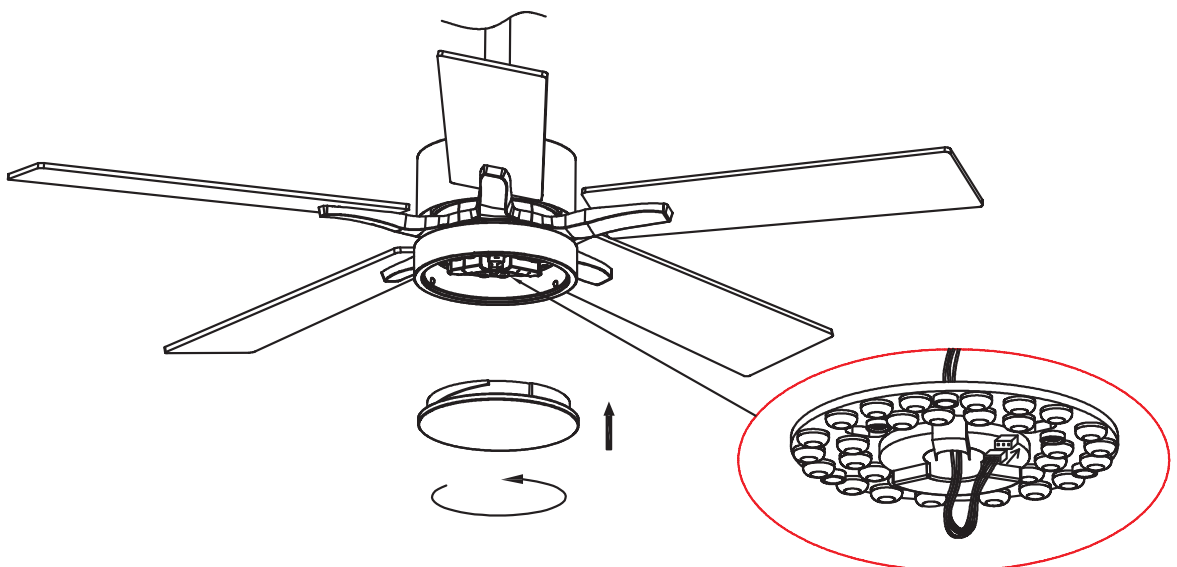
### Step4 Assembling the lamp housing

Fig.4



Install the lamp housing on the lamp installation platform and tighten the screws

### Step5 The lampshade installation



Place the lampshade into the lamp housing and fix it.

# Installation Instructions

## Step6 The receiver installation

Fig.6a

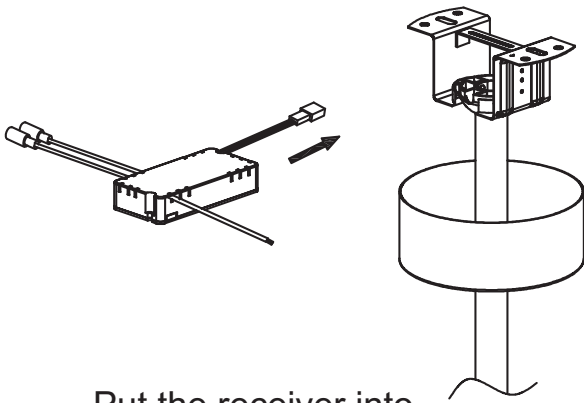
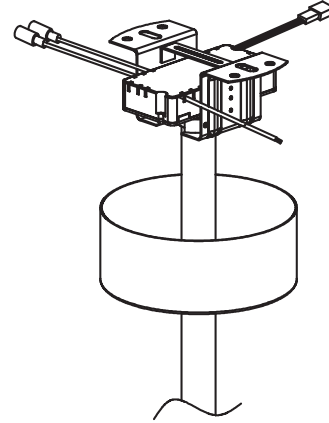
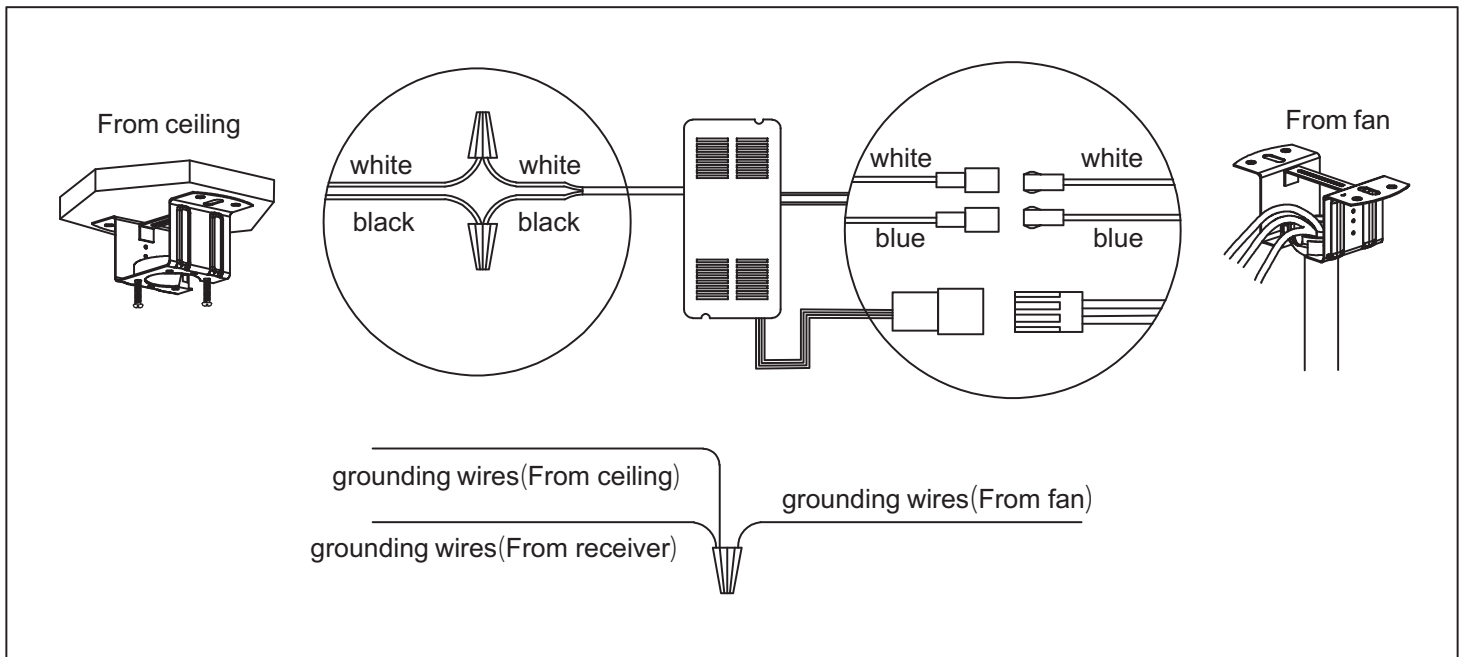


Fig.6b



## Step7 Wiring the Fan

- Wiring according to the wiring diagram.



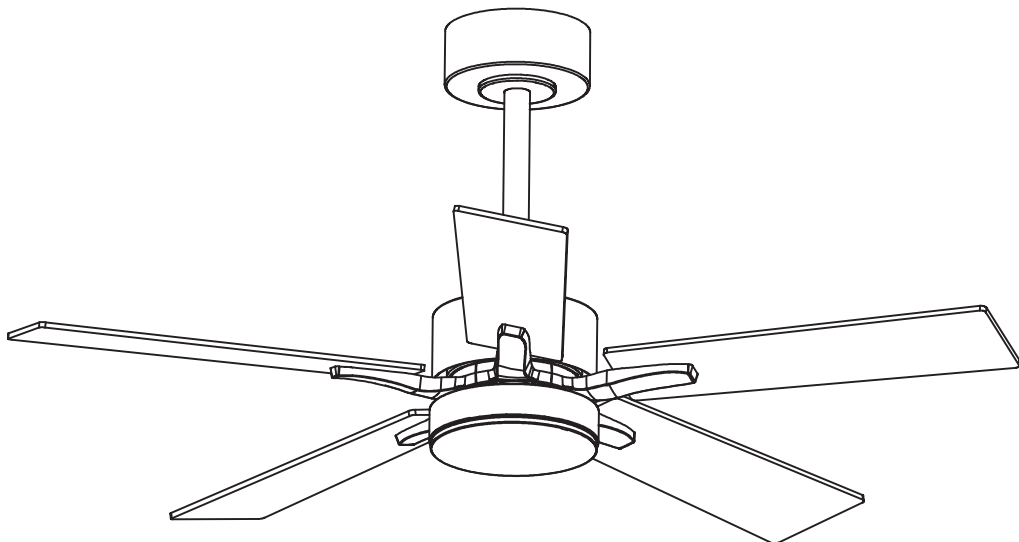
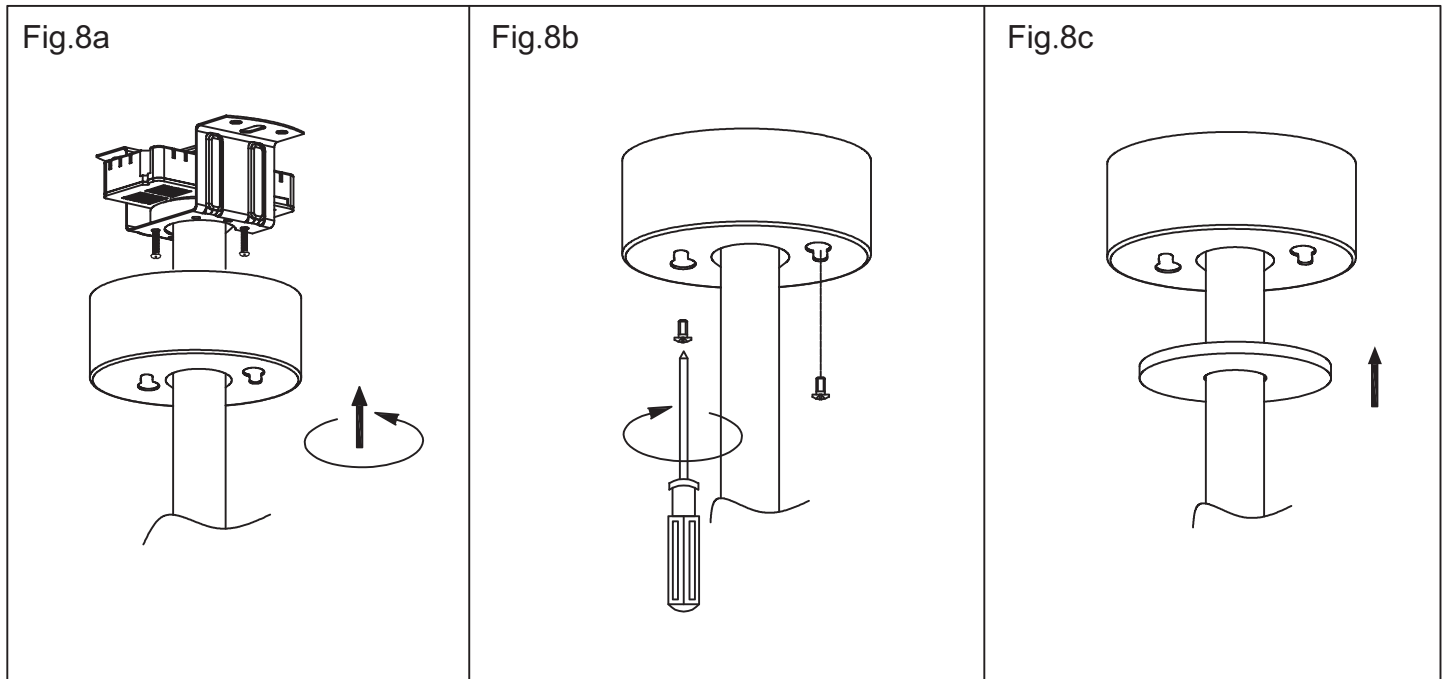
NOTE: Once grounding wires are connected, carefully tuck all wires into the metalbox, making sure that the wires are clear of the hemisphere and downrod when positioned in mounting bracket.

## Installation Instructions

### Step 8 Install the canopy and canopy cover

Slide the canopy up to the ceiling and attach it to the hanger bracket with the screws provided. Tighten all screws securely

Move the canopy cover to the canopy.  
(the decorative cover comes with magnetism)



CONGRATULATIONS!  
YOU HAVE COMPLETED THE INSTALLATION

## OPERATION

### Function Instruction of Emitter

Open battery cover on the hand-held remote and install two 1.5V AAA battery (not included).

-If the emitter can not control the fan, please pair the code.

Turn on the power switch, and press the "FAN/OFF" key within 3 seconds, the receiver issues "tick" two sounds, and the code matching is successful. If not successful, turn off the power for a minute and repeat the above.

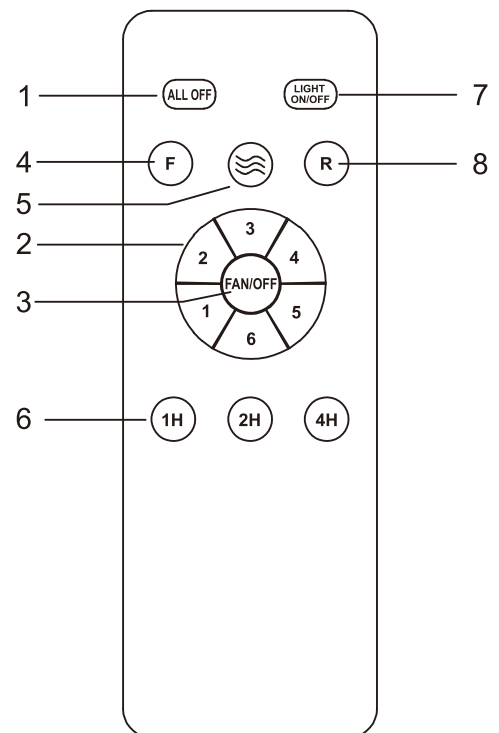
-When the emitter cannot control the receiver, please check whether the battery switch is touching normally or not, correction of the positive and negative, and full or empty of power.

-When the emitter cannot control the receiver, please check if is there any existence of similar controlled products with the same frequency that will disturb each other remote-controlled products nearby, then check whether they work, because a remote-controlled product with the same frequency will disturb each other.

-Please take out the battery from the emitter when left unused for a long time.

- When installing the fan, the fan ceiling cover doesn't press the antenna(or other wire), it is easy to break down the wire and short-circuit.

- 1.All off
- 2.Speed control
- 3.Match code/Fan off
- 4.Fan forward rotating
- 5.Natural wind
- 6.Timer
- 7.Light switch on/off  
(Color temperature can be selected)
- 8.Fan reversal rotating



# Troubleshooting Guide

If you have difficulty operating your new ceiling fan it may be the result of incorrect assembly, installation, or wiring. In some cases these installation errors may be mistaken for defects. If you experience any faults please check this troubleshooting guide.

	Problem	Suggested Remedy
1	If fan does not work.	<p>Check the main and branch circuit fuses or breakers.</p> <p>Check the line wire connections to the fan and switch wire connections in the switch housing.</p> <p>Check the battery in the remote control.</p> <p>Ensure you are in the normal range of 10-20 feet.</p>
2	If fan sounds noisy.	<p>Ensure all motor housing screws are snug.</p> <p>Ensure the screws that attach the fan blade bracket to the motor hub are tight.</p> <p>Ensure the wire nut connections are not rattling against each other or the interior wall of the switch housing.</p> <p>Allow a 24-hour "breaking in" period. Most noises associated with a new fan disappear during this time.</p> <p>If you are using the Ceiling Fan light kit, make sure the screws holding the glassware are tightened up. Check that the light bulbs are also secure.</p> <p>Ensure the canopy is a short distance from the ceiling. It should not touch the ceiling.</p> <p>Secure the distribution box and use a rubber isolation mat between the mounting plate and the distribution box.</p>
3	If fan wobbles.	<p>Check that all blades are screwed firmly into blade holders .</p> <p>Check that all blade holders are tightened securely to motor.</p> <p>Make sure that canopy and mounting bracket are tightened securely to ceiling junction box and junction box is mounted firmly to ceiling joist.</p> <p>Most fan wobble problems are caused when blade levels are unequal. Check this level by selecting a point on the ceiling above the tip of one of the blades keeping measure within 1/8 in. Rotate the fan until the next blade is positioned for measurement. Repeat for each blade. If all blade levels are not equal you can adjust blade levels by the following procedure. To adjust a blade tip down insert a washer(not supplied)between the blade and blade holder at the screw closest to the motor. To adjust a blade tip up insert washer(not supplied)between the blade and blade holder at the two screws farthest from the motor.</p> <p>If blade wobble is still noticeable interchanging two adjacent (side by side) blade scan redistribute the weight and possibly result in smoother operation.</p>
4	If light does not work.	<p>Check wire connecting is correct.</p> <p>Check for loose or disconnected wires in fan switch housing.</p> <p>Check for loose or disconnected wires in light kit.</p> <p>Check for faulty light bulbs.</p> <p>(CAUTION: Make sure main power is turned off before entering switch housing.)</p> <p>If the fan light shuts off shortly after being switched on it may be due to excessive current demand.</p> <p>Turn off power to the fan and replace the light bulbs with lower wattage bulbs.</p> <p>Turn on power to the fan using the pull chain, wall switch, or remote control (whichever is installed on the particular fan).</p>

# Balancing Kit

## Function instruction of emitter

The balancing kit should only be used if there is an unacceptable amount of fan wobble after completing all the steps in your owners manual under attaching the fan blades.

- 1 Turn on the fan and set it to maximum swing speed
- 2 Turn off the fan and bring it to a complete stop. Select one blade and place the balance 2 clip on it, halfway between the blade holder and the blade tip on the trailing edge of blade.
- 3 Turn on the fan. Note whether the wobble has increased or decreased. Turn off the fan and move the clip to another blade, and retest. Repeat this procedure on all blades, attention ensures improvements are made on all blades.
- 4 Move the clip back to the blade that showed the greatest improvement. Move the clip inward and outward on this blade and operate the fan to find the position where the clip gives the greatest improvement.
- 5 Remove the clip and install a balancing weight to the top of blade along the center line near the point where the clip was positioned.
- 6 If the fan wobble problem has not been corrected you may wish to try to improve the balancing further by using the balancing clip and additional weights.

