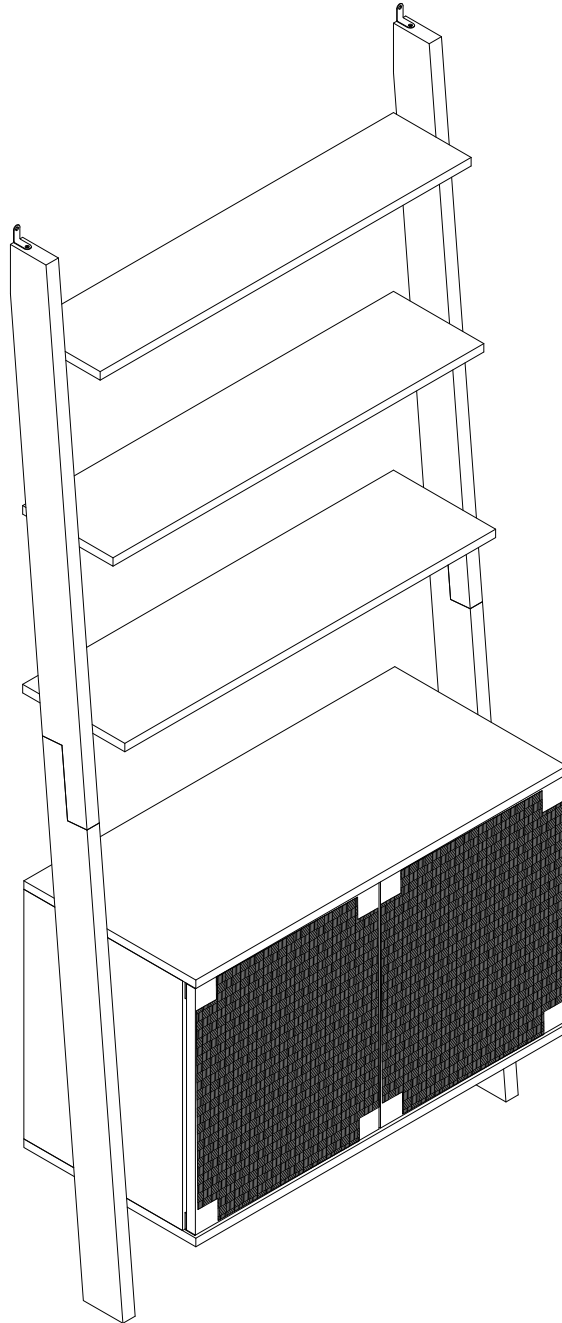


4-Shelf Etagere Bookcase

SKU WHIF2222



ASSEMBLY INSTRUCTIONS



60 min. assembly

2 person

*The estimated assembly time may vary depending on the individual.

Hey, there

Now is assembly time!

Deeeeeeep breathe.... and again....
Tools ready,
Easy peasy!

Estimated



60 min. assembly
2 person

Tools Required

- Allen Wrench (included)
- Phillips screwdriver (not included)
- Power Drill (not included)

important: *Cautious when you use power tools*

Need Help?

Call us at +1 909 548 6688
Email customerservice@luxenhome.com
Submit a ticket on www.luxenhome.com/help

Thank you for purchasing this LuxenHome product. This product has been manufactured with the highest standards of safety and quality.

PLEASE READ ALL INSTRUCTIONS CAREFULLY BEFORE ASSEMBLY.

Un pack all parts from the packaging inside the carton to ensure there are no missing or damaged parts. Lay out all the parts on a clean, flat, and soft surface to prevent scratches. Refer to the steps provided as assembling guide.

Do not attempt to assemble or use the product if any parts are missing or damaged.

REMINDERS

SAFE USAGE IS KEY

Your well-being is our top priority when you use our product. Please prioritize your safety by diligently following the assembly guidelines and inspecting the product carefully both when it arrives and before each use.

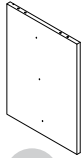
Please be aware that LuxenHome and Winsome House, Inc. cannot be held liable for any injuries or fatalities that occur due to not adhering to the provided instructions or misuse of the product.

DO NOT MODIFY

Our products undergo rigorous testing to ensure they meet established safety standards before being released for sale. Altering the product in any way can lead to serious safety concerns, for which LuxenHome cannot assume responsibility.

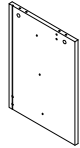
What's in the box

Parts



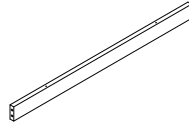
1 X 1

Left side panel



2 X 1

Righth side panel



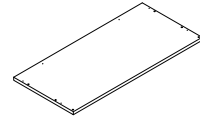
3 X 1

Front bar



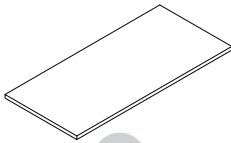
4 X 1

Back bar



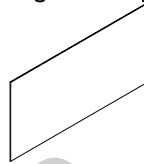
5 X 1

Bottom panel



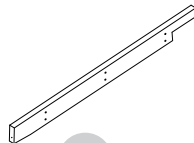
6 X 1

Top panel



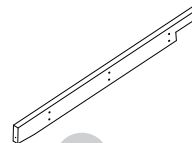
7 X 1

Back panel



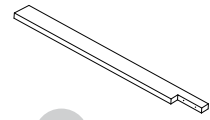
8 X 1

Left top legs



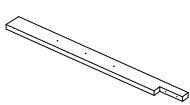
9 X 1

Right top legs



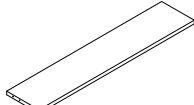
10 X 1

Left bottom legs



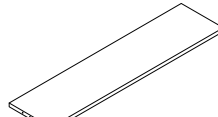
11 X 1

Right bottom legs



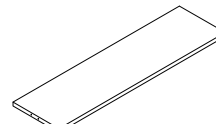
12 X 1

Top shelf panel



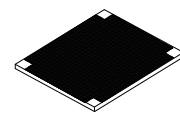
13 X 1

Middle shelf panel



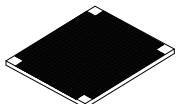
14 X 1

Bottom shelf panel



15 X 1

Left door panel



16 X 1

Right door panel

What's in the box

Hardware & Accessory



A X 10+2

M6 x 36mm



B X 10+2

M15 x 9mm



C X 12+3

M5.8 x 30mm



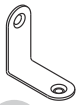
D X 8

M4 x 35mm

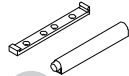


E X 2

M4 x 14mm



F X 2

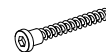


G X 2



H X 4

M3 x 12mm



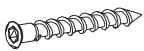
I X 4

M7 x 40mm



J X 2

M4 x 40mm



K X 12+2

M5 x 50mm



L X 1



M X 2



N X 6

M6 x 25mm



O X 2



P X 4



Q X 10+2

M3.5 x 12mm



R X 2



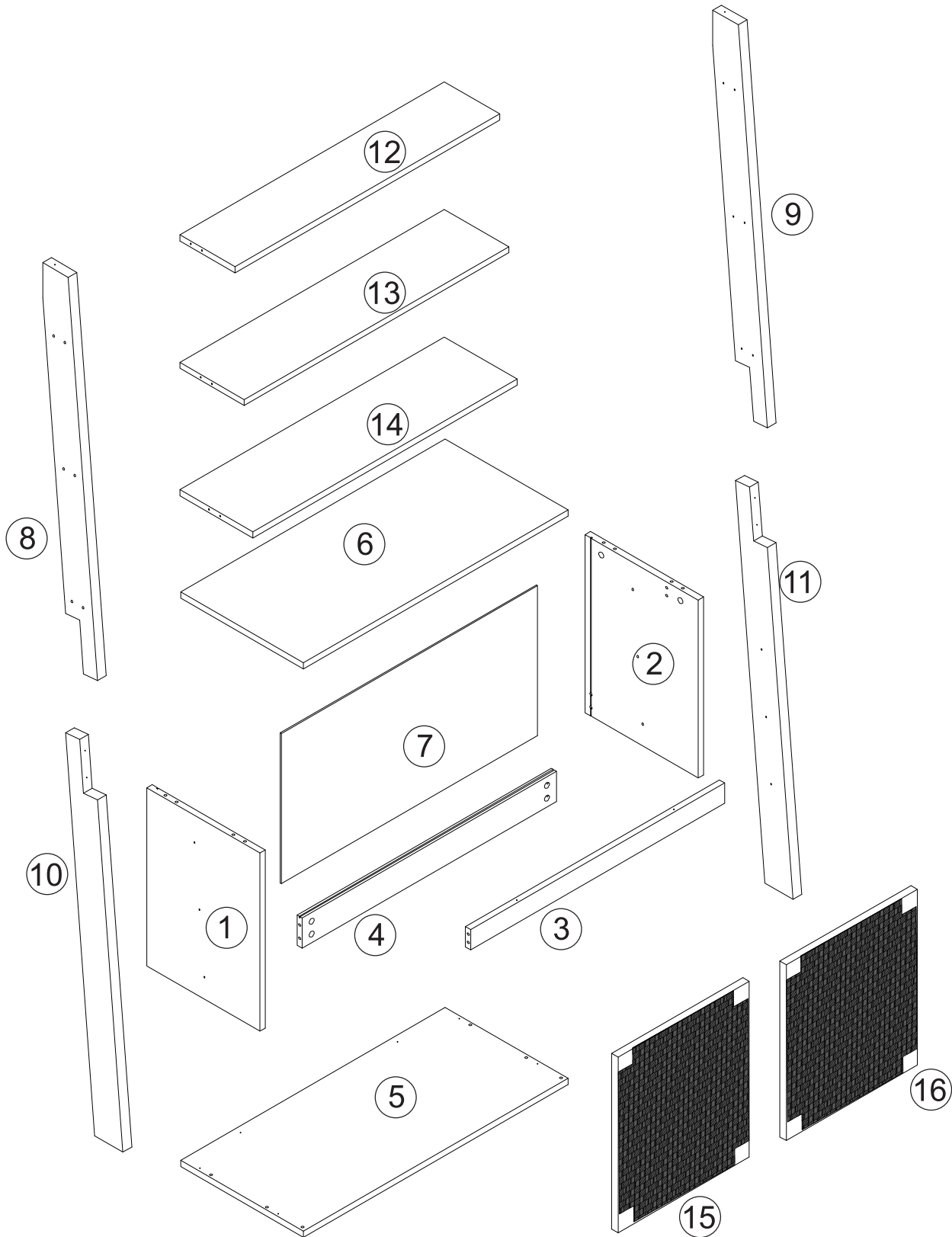
S X 2

70 x 20mm



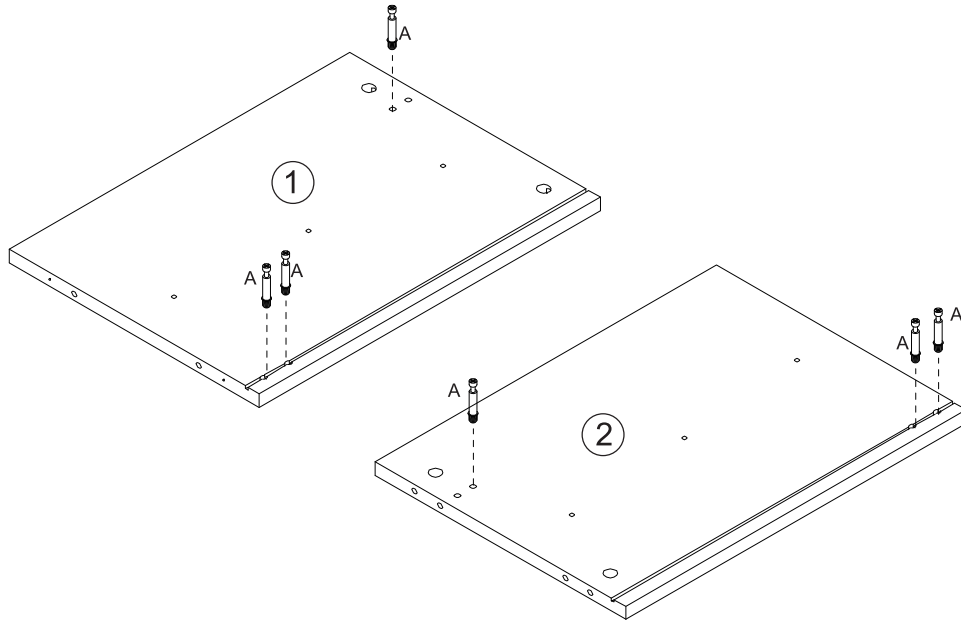
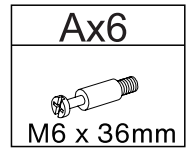
T X 12+2

Assembly



Step 1

Insert quickfit screws (A) into parts 1 and 2, as shown.



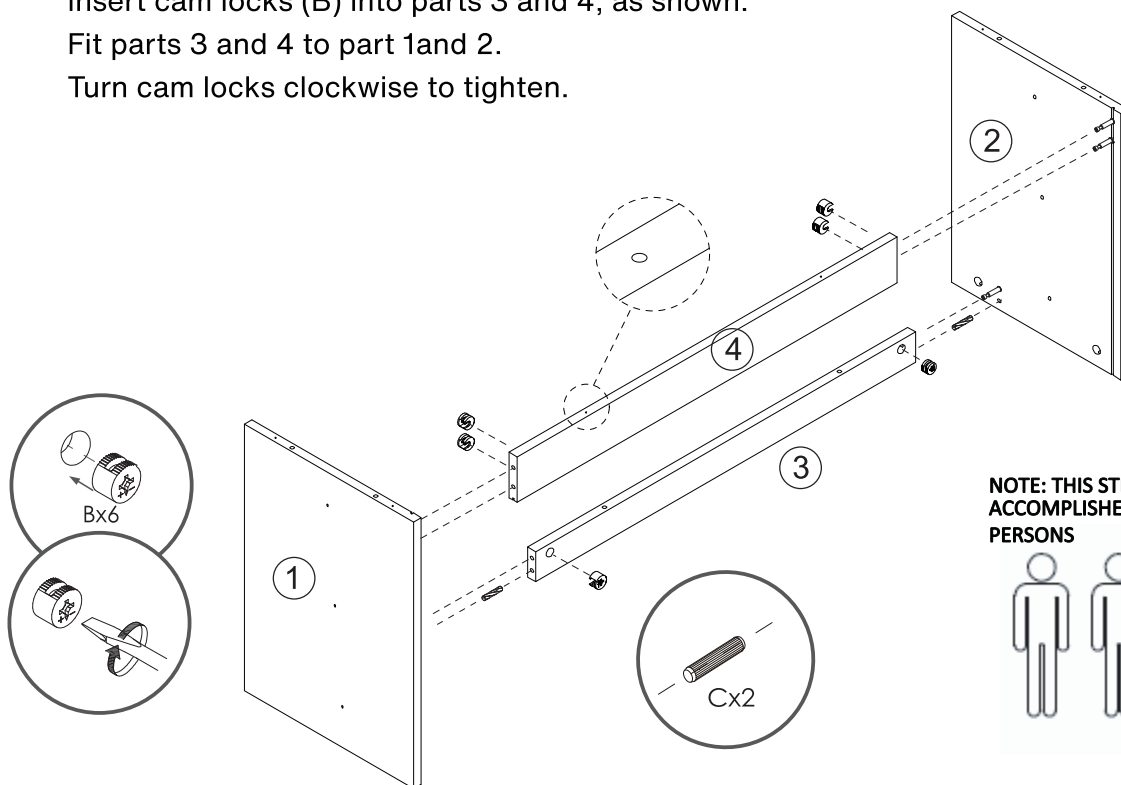
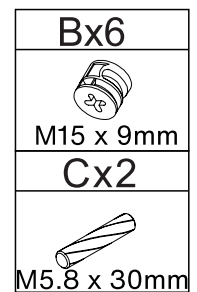
Step 2

Insert wooden dowel (C) into part 1 and 2, as shown.

Insert cam locks (B) into parts 3 and 4, as shown.

Fit parts 3 and 4 to part 1 and 2.

Turn cam locks clockwise to tighten.

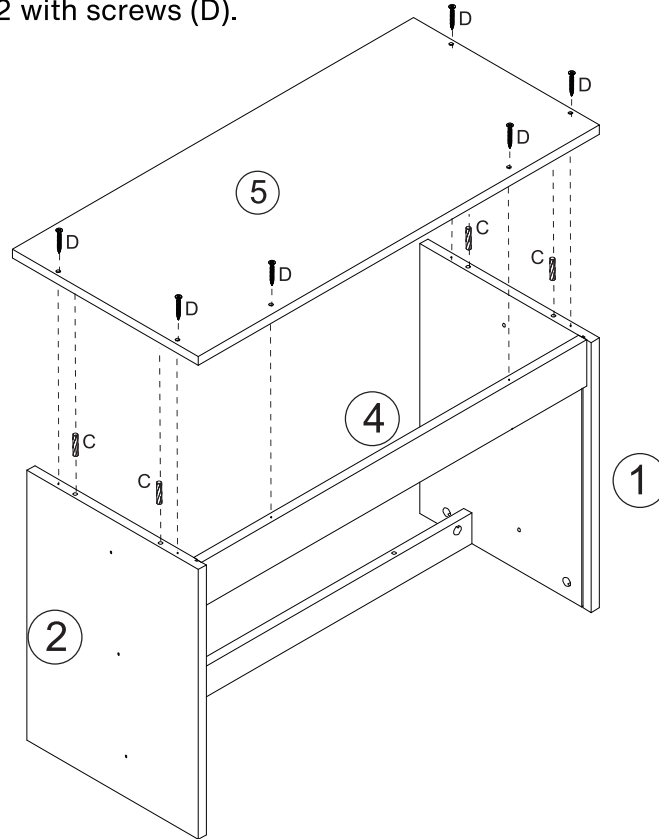




NOTE: THIS STEP TO BE ACCOMPLISHED BY TWO PERSONS



Step 3

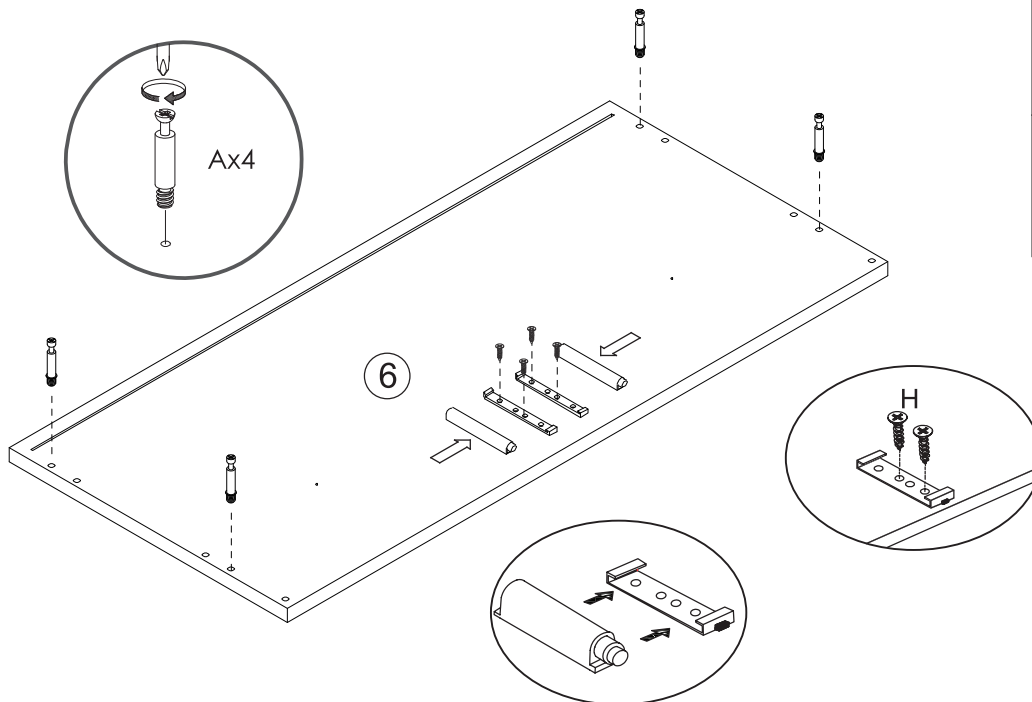
Insert wooden dowel (C) into parts 1 and 2, as shown.
 Fix part 5 to parts 1 and 2 with screws (D).


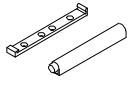



Dx6

M4 x 35mm
Cx4

M5.8 x 30mm

Step 4

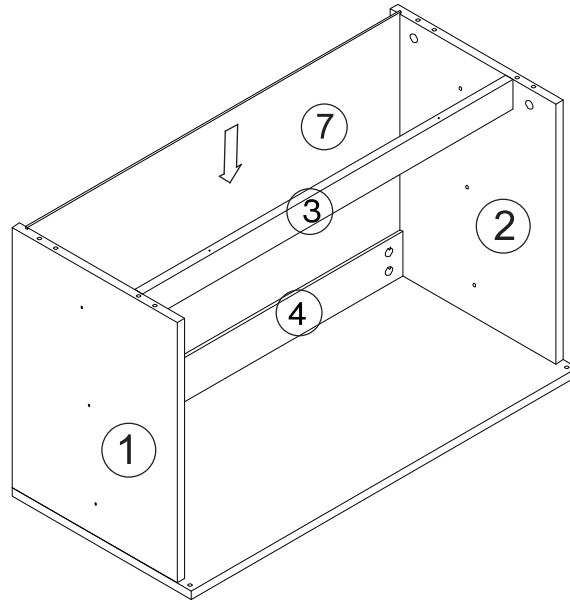
Insert quickfit screws (A) into part 6, as shown.
 Fix door openers (G-1) to part 6 using screws (H), as shown.
 Insert catches (G-2) into openers (G-1), as shown.



Ax4

M6 x 36mm
Gx2

Hx4

M3 x 12mm

Step 5

Slide part 7 into grooves between parts 1, 2 and 4, as shown.

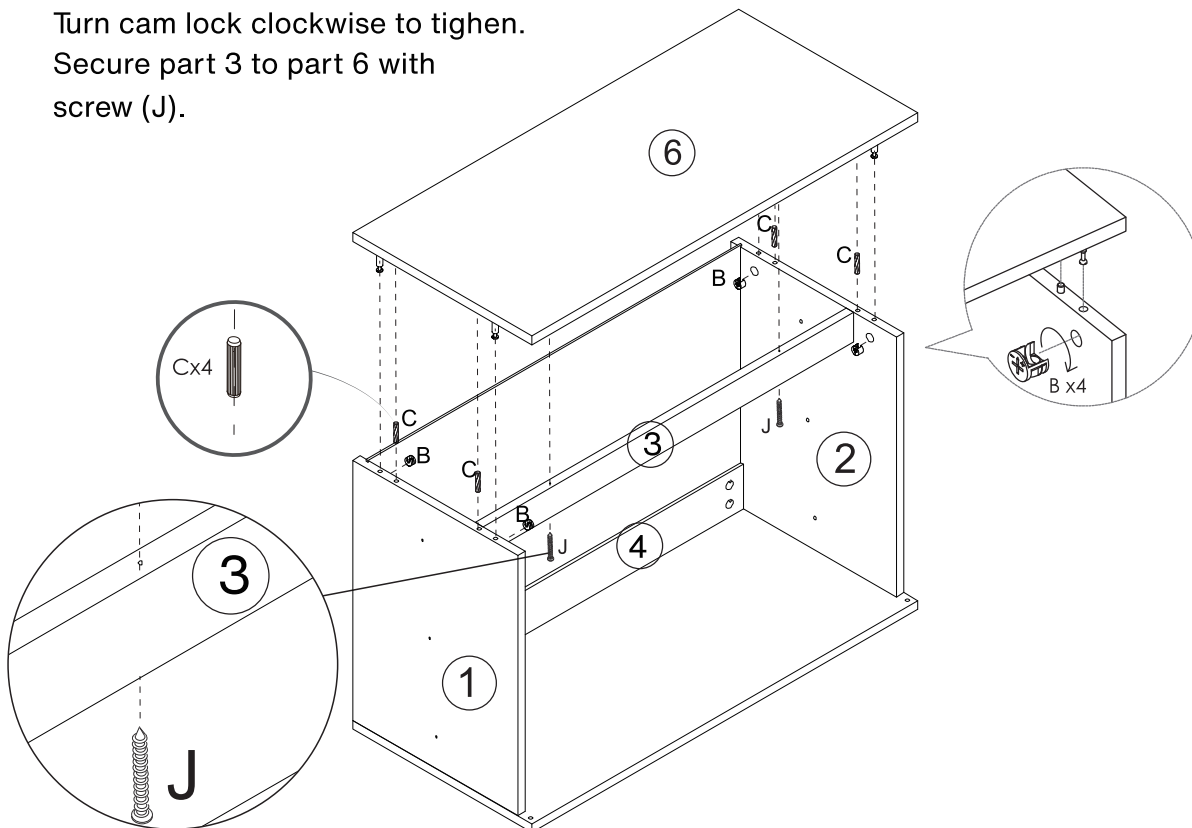





Step 6

Insert cam locks (B) and wooden dowels (C) into parts 1 and 2, as shown.
Fit part 6 to parts 1 and 2.

Turn cam lock clockwise to tighten.

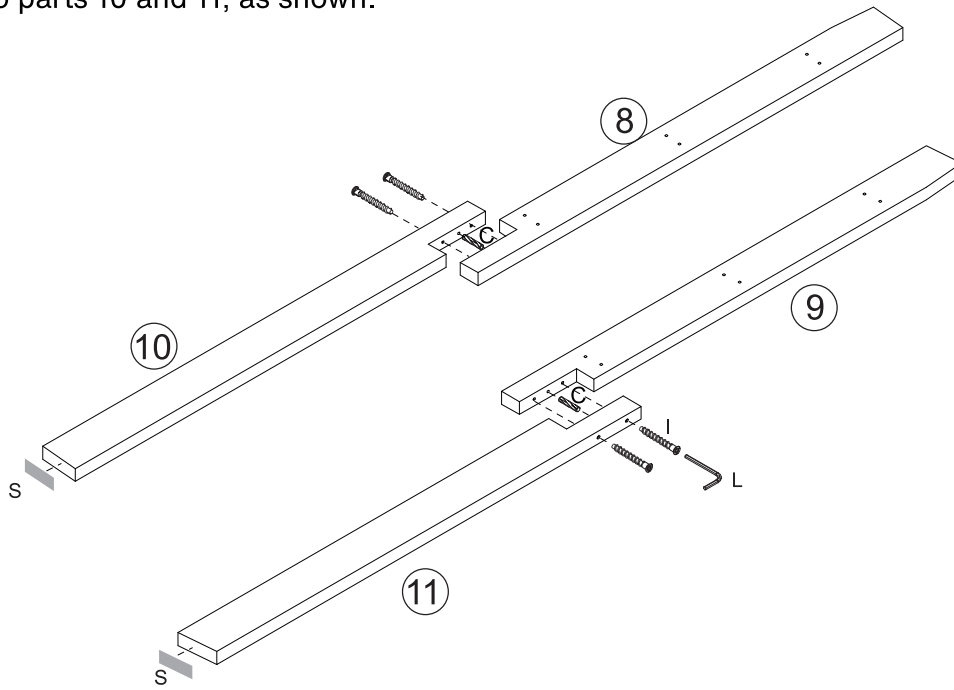
Secure part 3 to part 6 with screw (J).



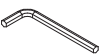



Bx4
 M15 x 9mm
Cx4
 M5.8 x 30mm
J x2
 M4 x 40mm

Step 7

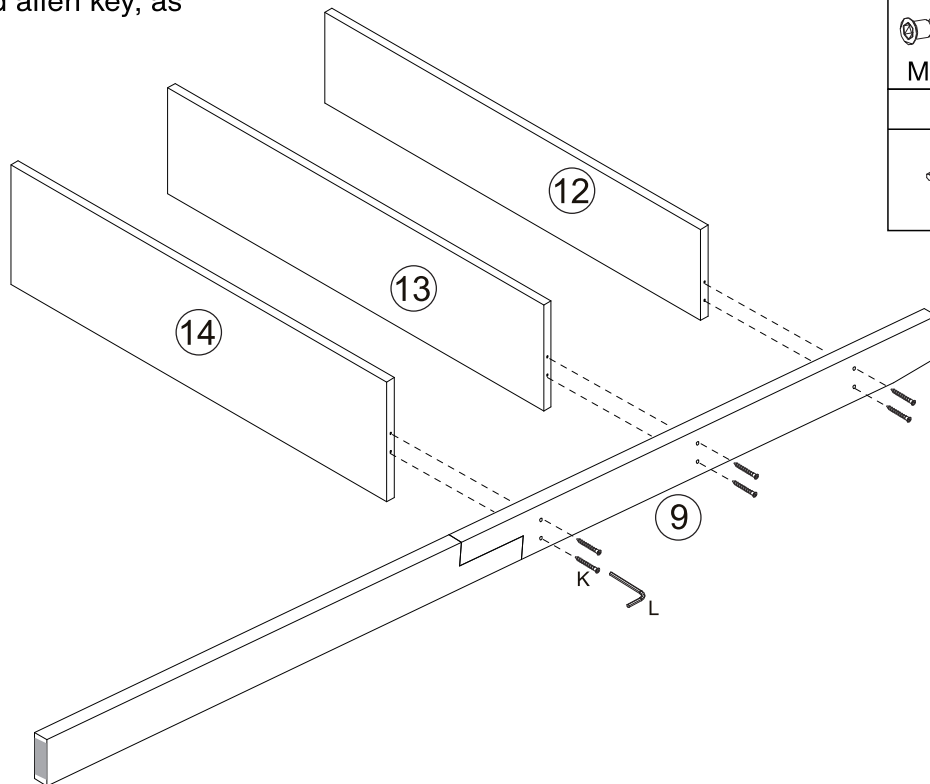
Insert wooden dowels (C) into parts 8 and 9, as shown.
Fix part 10 to part 8 with screws (I) and allen key (L), as shown.
Fix part 11 to part 9 with screws (I) and allen key (L), as shown.
Attach (S) to parts 10 and 11, as shown.

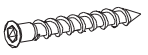



Cx2
 M5.8 x 30mm
Ix4
 M7 x 40mm
Lx1

Sx2
 70 x 20mm

Step 8

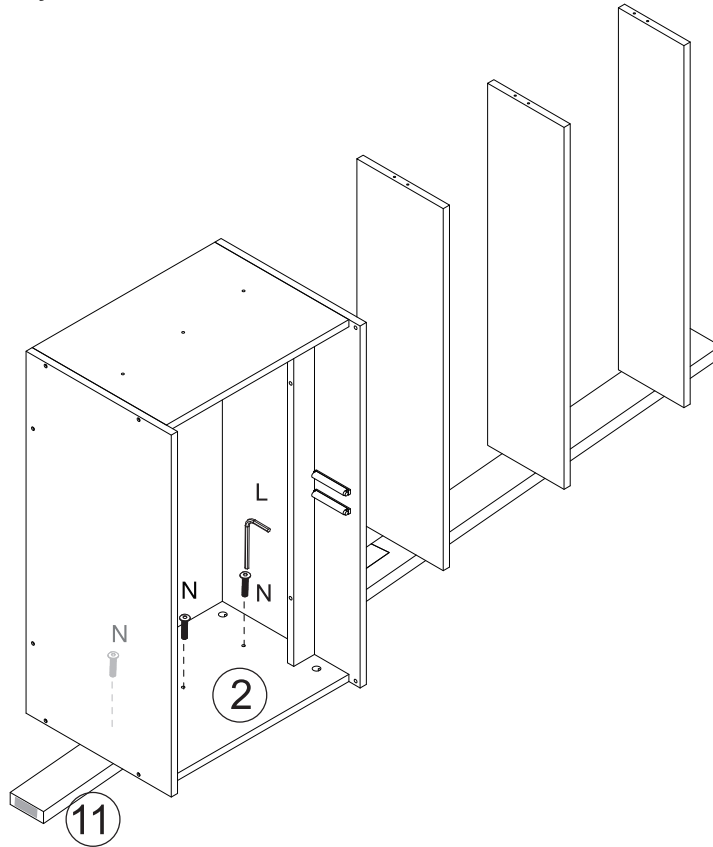
Fix parts 12, 13 and 14 to part 9 with screws (K) and allen key, as shown.





Kx6
 M5 x 50mm
Lx1


Step 9

Fix the assembled part from setp 6 (Panel 1 , 2, 5 and 6) to part 11 with screws (N) and allen key, as shown.

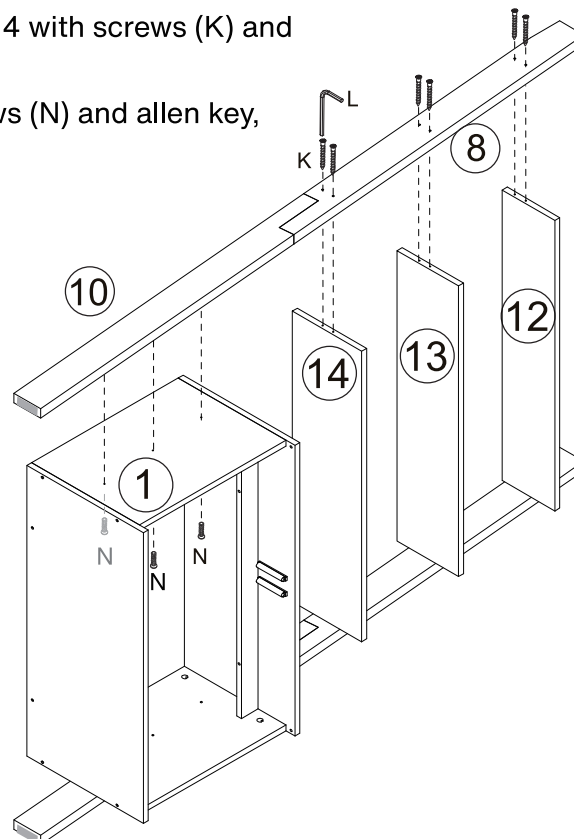





Nx3

M6 x25mm
Lx1


Step 10

Fix part 8 to parts 12, 13 and 14 with screws (K) and allen key, as shown.

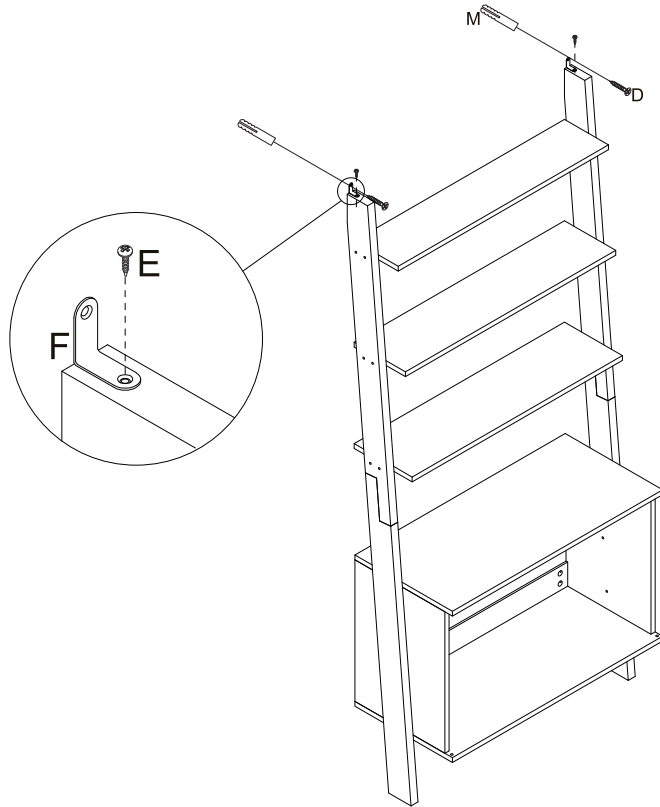
Fix part 10 to part 1 with screws (N) and allen key, as shown.



Nx3

M6 x25mm
Kx6

M5 x50mm
Lx1


Step 11

You need to fix your cabinet to the wall using hardwares (M, D, E and F), as shown.

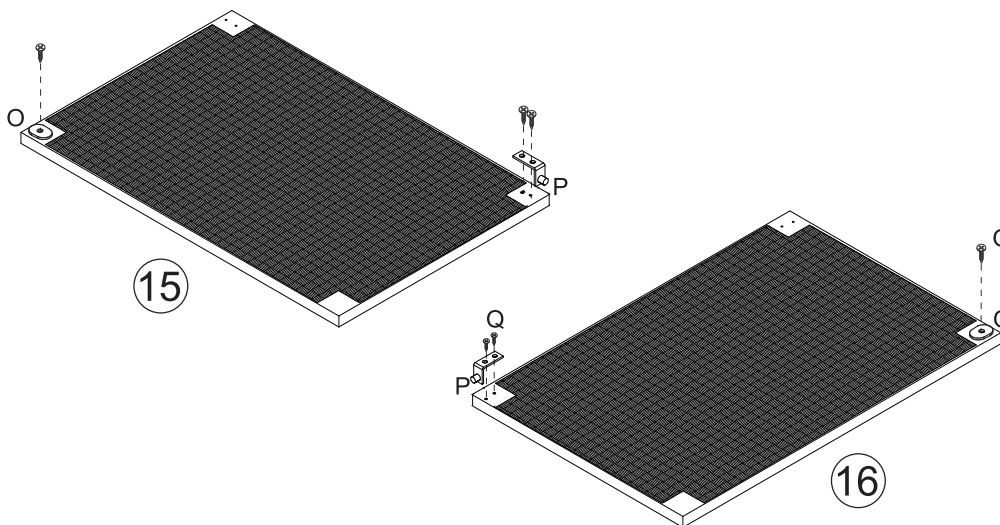


Mx2
Dx2
M4 x 35mm
Ex2
M4 x 14mm
Fx2

Step 12

Fix washers (O) to doors 15 and 16 using screws (Q), as shown.



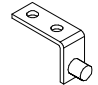
Fix door shafts (P) to doors 15 and 16 using screws (Q), as shown.

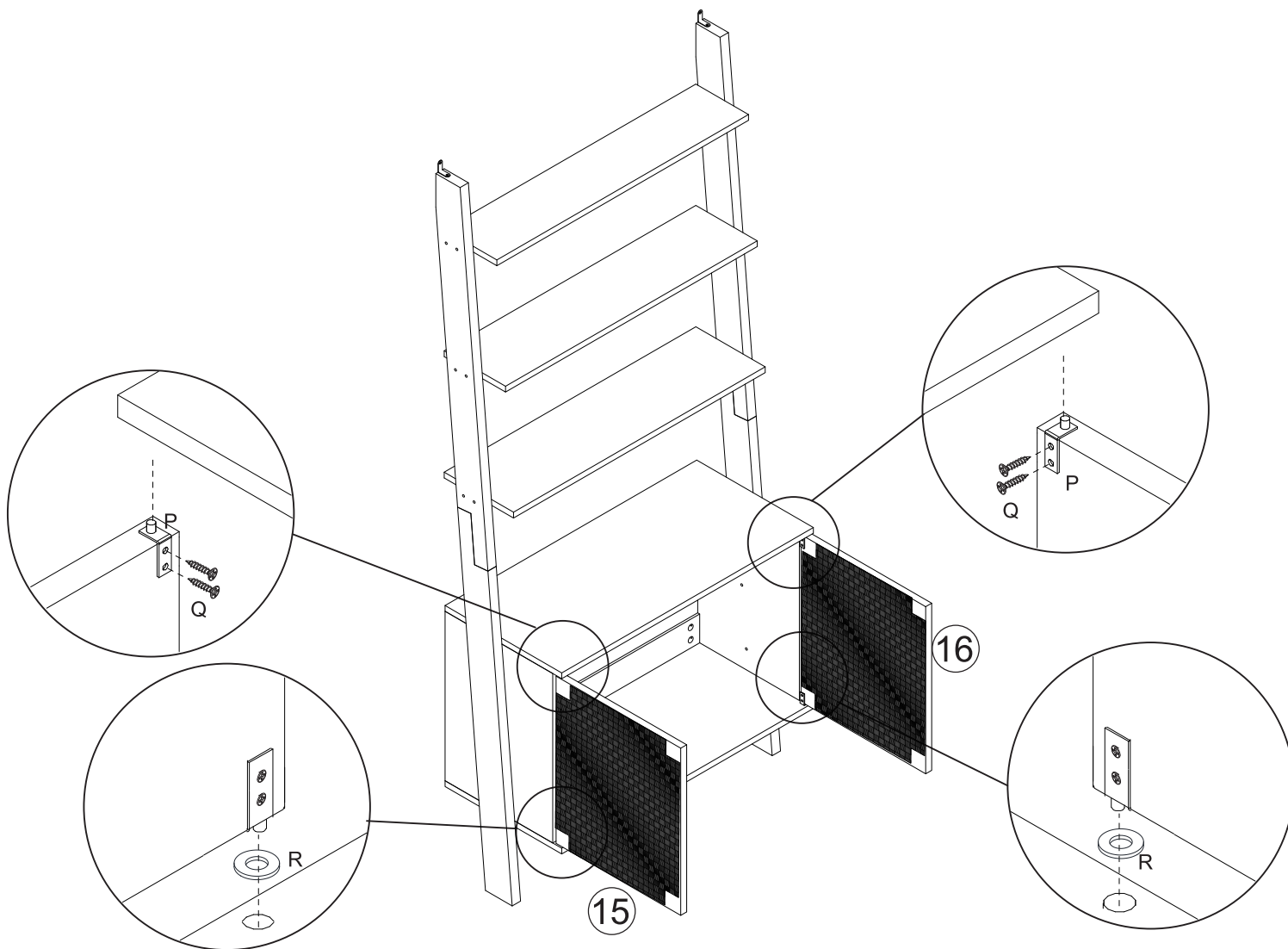


Qx6
M3.5 x 12mm
Ox2
Px2

Step 13

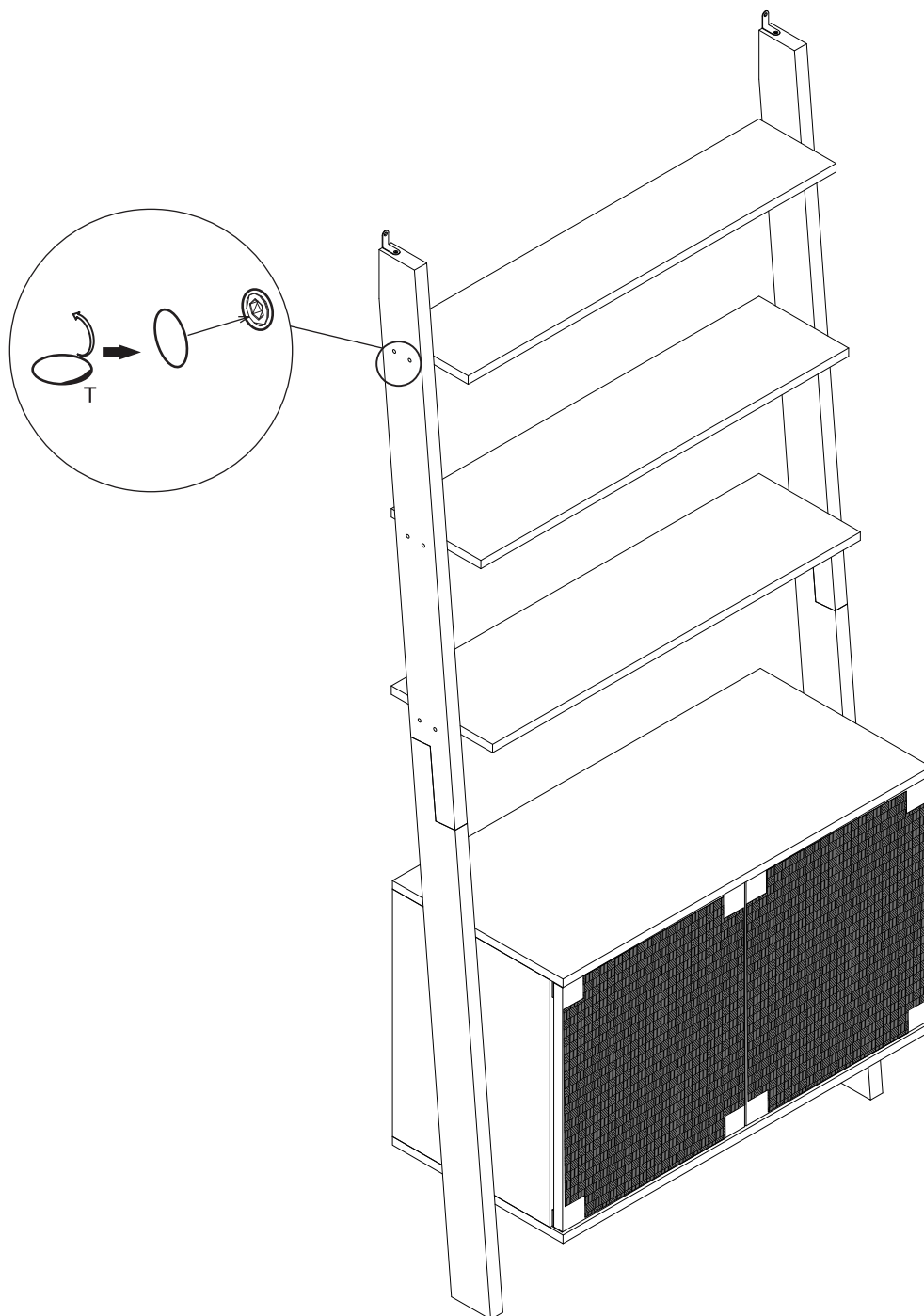
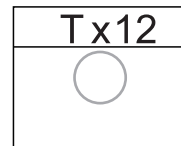
Fix doors 15 and 16 to the assembled unit using washers (R), door shafts (P) and screws (Q), as shown.

Qx6

M3.5 x12mm
Rx2

Px2




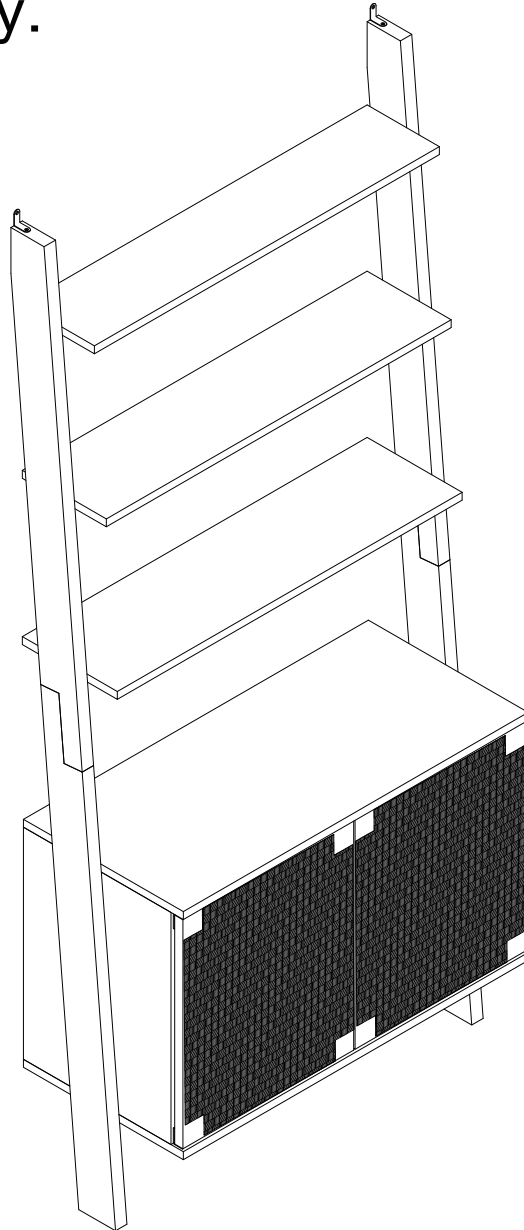
Step 14

Coverd holes with the hole patches (T).



VOILA!

Now enjoy.



Warning

Do NOT sit, stand, or climb on the Bookcase with Cabinet as this may damage the product and cause serious bodily injury.

Something not right?

We are always here to help.

We make mistakes like every human does.

Though we always strive to provide the best possible products at competitive prices and the best service in the industry, it's not possible to completely eliminate mistakes. If you experience any dissatisfaction, feel free to contact us immediately. Our in-house customer care team will respond ASAP.



customerservice@luxenhome.com
Get response within 24 hrs



909.548.6688
Mon-Fri 9am-5pm PST/PDT



www.luxenhome.com/help
Submit a ticket on our website

Things to do to expedite the process

- Have your order# ready
- Take photos/videos to help us better identify the issues
- DO NOT throw away the packaging

Happy with our product?

Leave us a review

It really help us as a small business

- Find the product you purchased on our website (tip: search by SKU) and leave us a review.
- Alternatively, you can always return to the marketplace where you purchased it and leave a review there.

Share with others

Our customers look for REAL stuff



- Follow us on IG @luxen.home
- Share your #liveluxen moments



**Please save this manual
for future reference.**