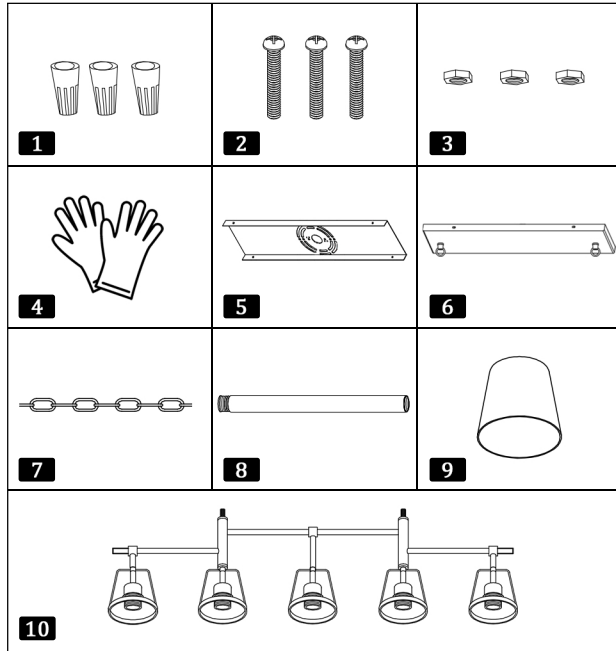


INSTALLATION MANUAL

Parts list



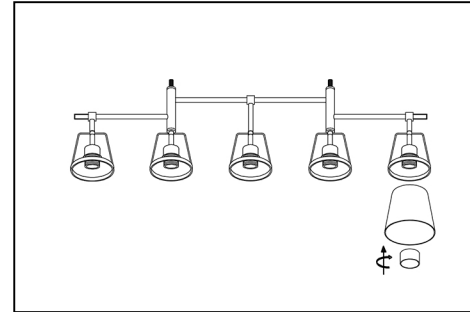
Number of accessories

- | | | |
|-----------|----------------|------|
| 1 | Wire Connector | 3PCS |
| 2 | Mounting Screw | 6PCS |
| 3 | Mounting Screw | 6PCS |
| 4 | Gloves | 1PCS |
| 5 | Mounting Plate | 1PCS |
| 6 | Ceiling plate | 1PCS |
| 7 | Iron chain | 2PCS |
| 8 | Iron pipe | 2PCS |
| 9 | Lamp shade | 5PCS |
| 10 | Lamp body | 1PCS |

Please note

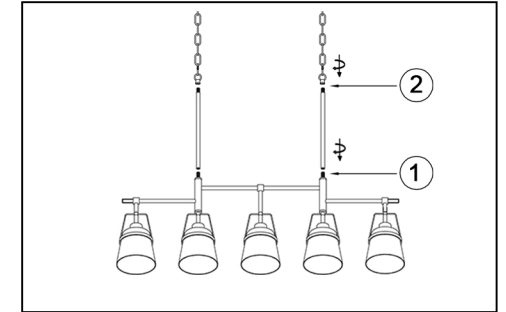
1. Please confirm that the power is turned off before charging (We suggest having a certified electrician install it.)
2. Due to differences between display screens. The actual color may differ slightly from the image.
3. Due to different measurement methods, please allow for manual measurement of an error of 0-1/2 inches.
4. If you have any questions or any missing parts. please free to contact us, and we will do our best to do so.

Installation steps



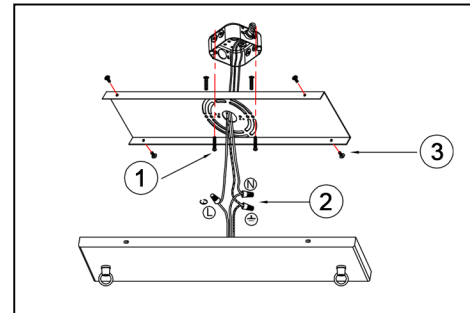
Step 1: Assemble the Light Fixture

Attach each lampshade to the lamp holders on the horizontal bar. Ensure all shades are securely tightened.



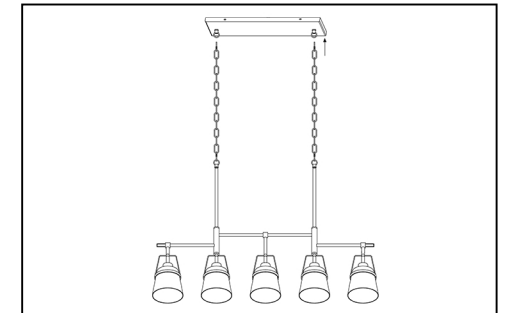
Step 2: Adjust Hanging Height

Connect the fixture to the suspension chains and adjust the chain length to your desired hanging height.



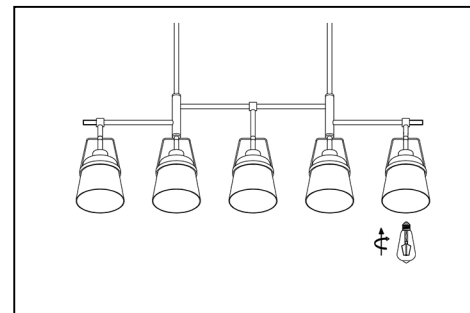
Step 3: Install Mounting Plate & Wiring

Fix the mounting bracket to the ceiling junction box. Connect the electrical wires (live, neutral, and ground) according to standard wiring instructions, then secure the canopy.



Step 4: Hang the Fixture

Attach the chains to the ceiling plate and ensure the fixture is evenly balanced and properly aligned.



Step 5: Install Bulbs & Final Check

Insert the bulbs into each socket, tighten securely, and turn on the power to test the lighting.