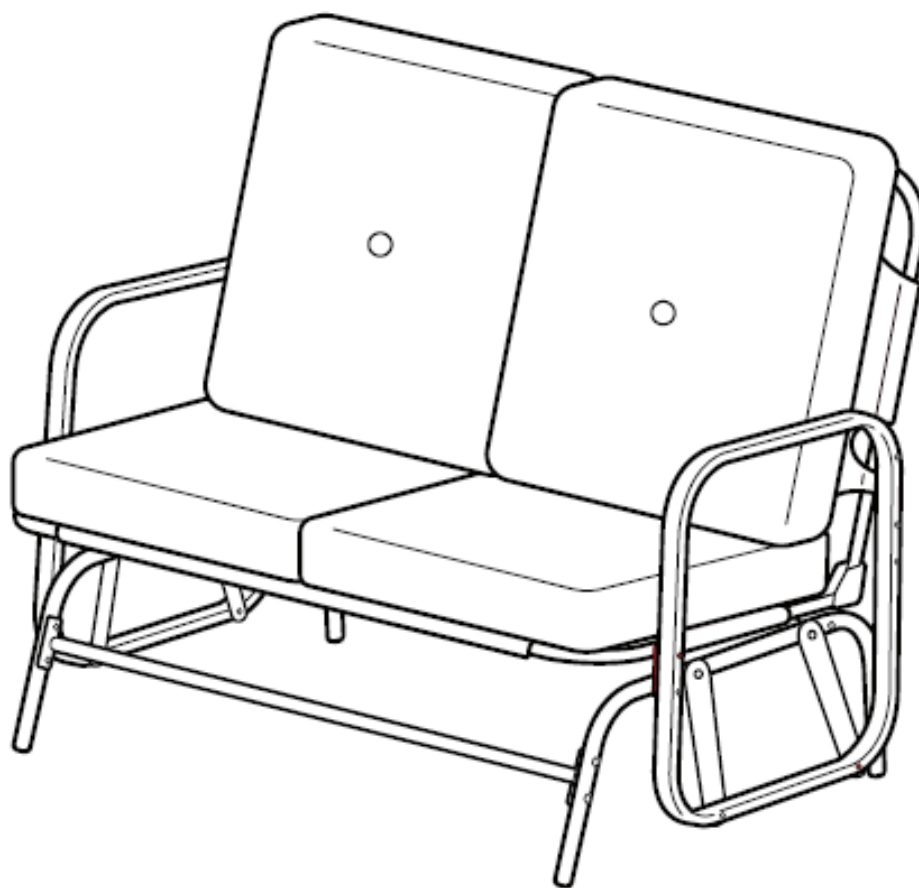


## PATIO ROCKING BENCH



## OWNER'S MANUAL AND SAFETY INSTRUCTIONS

SAVE THIS MANUAL. KEEP THIS MANUAL FOR SAFETY WARNINGS, PRECAUTIONS, ASSEMBLY, OPERATION, INSPECTION, MAINTENANCE AND CLEANING PROCEDURES. WRITE THE PRODUCT'S SERIAL NUMBER ON THE BACK OF THE MANUAL, OR THE MONTH AND YEAR OF PURCHASE IF PRODUCT HAS NO SERIAL NUMBER

FOR QUESTIONS, PLEASE CALL OUR CUSTOMER SERVICE.

# PARTS LIST

## TOOLS REQUIRED



395 LBS  
CAPACITY



1 PERSON  
ASSEMBLY



APPROXIMATELY  
45 MIN.  
ASSEMBLY

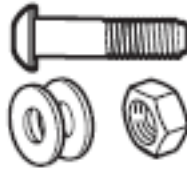
## HARDWARE

**1** M6 x 38mm  
BOLT SET



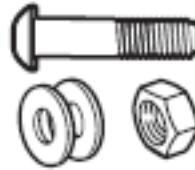
6 PCS

**2** M6 x 55mm  
BOLT SET



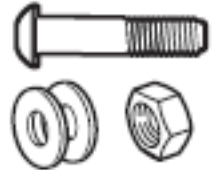
10 PCS

**3** M6 x 68mm  
BOLT SET



4 PCS

**4** M6 x 80mm  
BOLT SET



4 PCS

**5** END CAP



24 PCS

**6** M6 NUT CAP



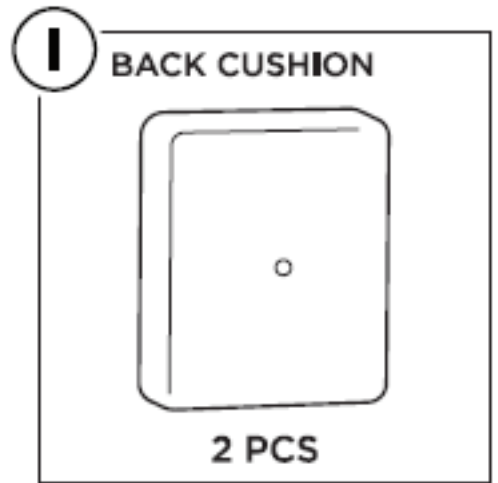
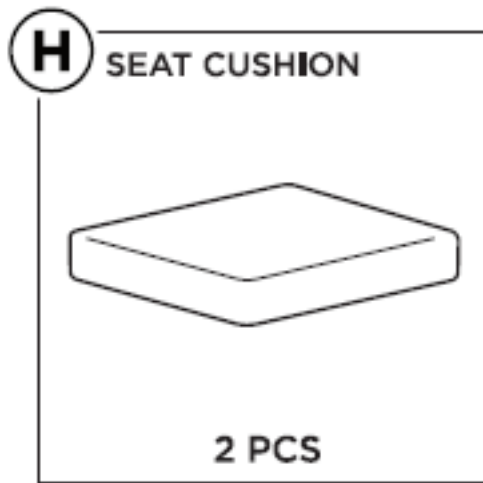
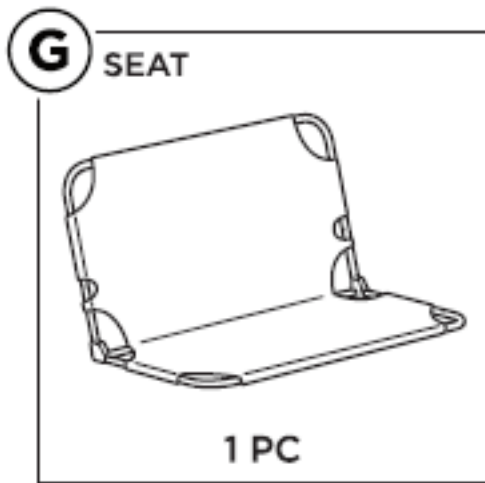
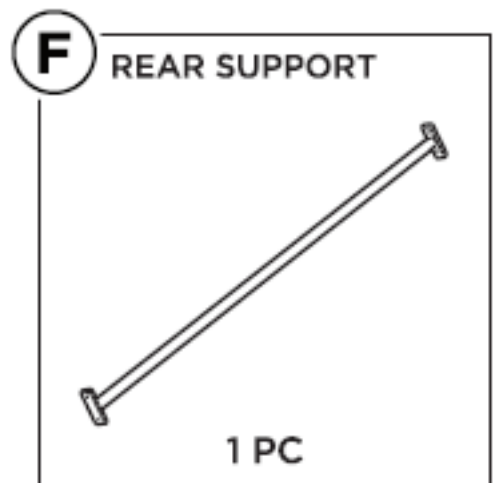
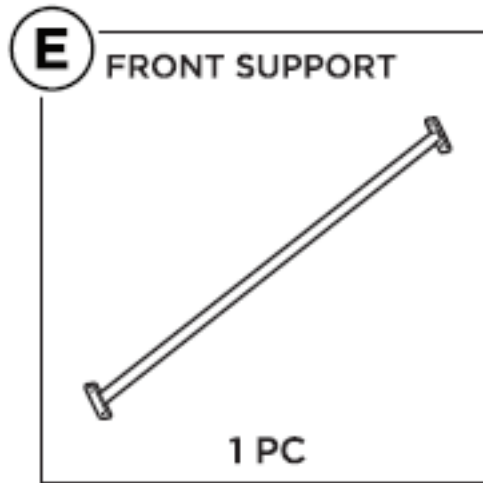
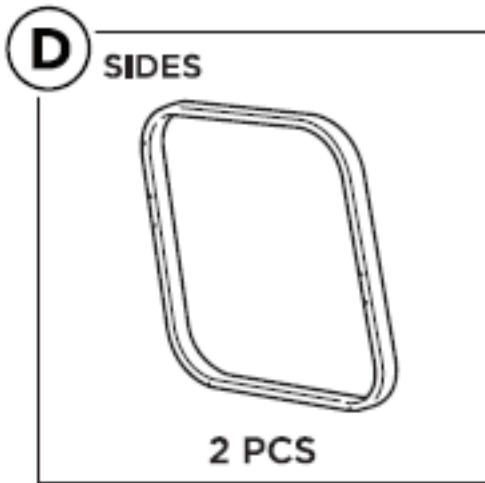
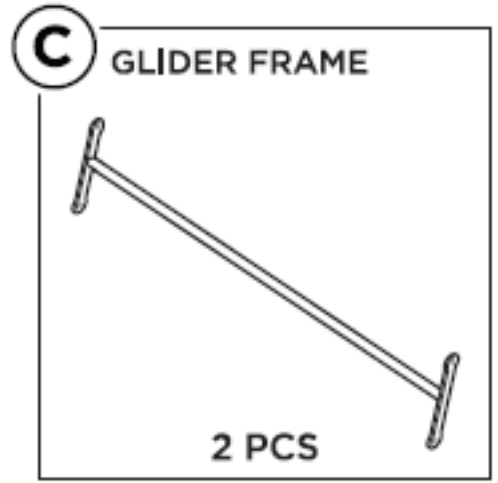
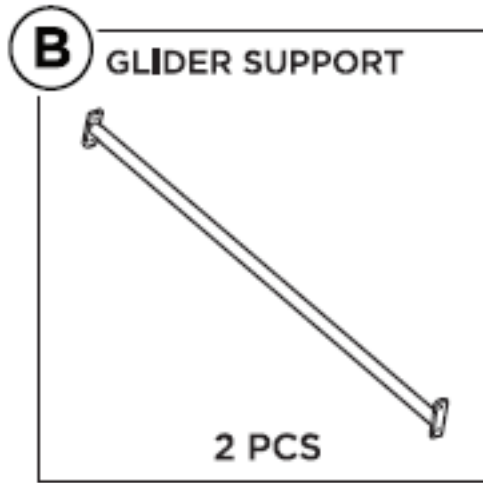
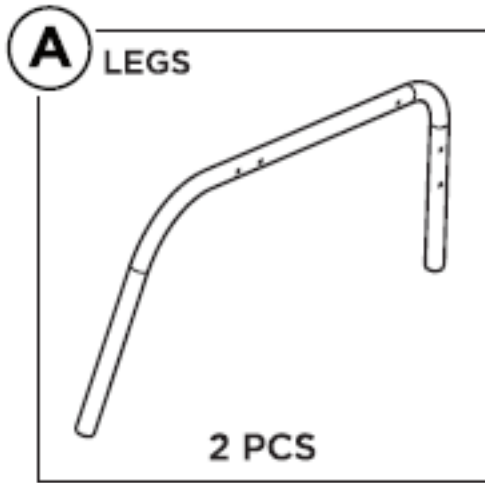
24 PCS

**7** SPACER



8 PCS

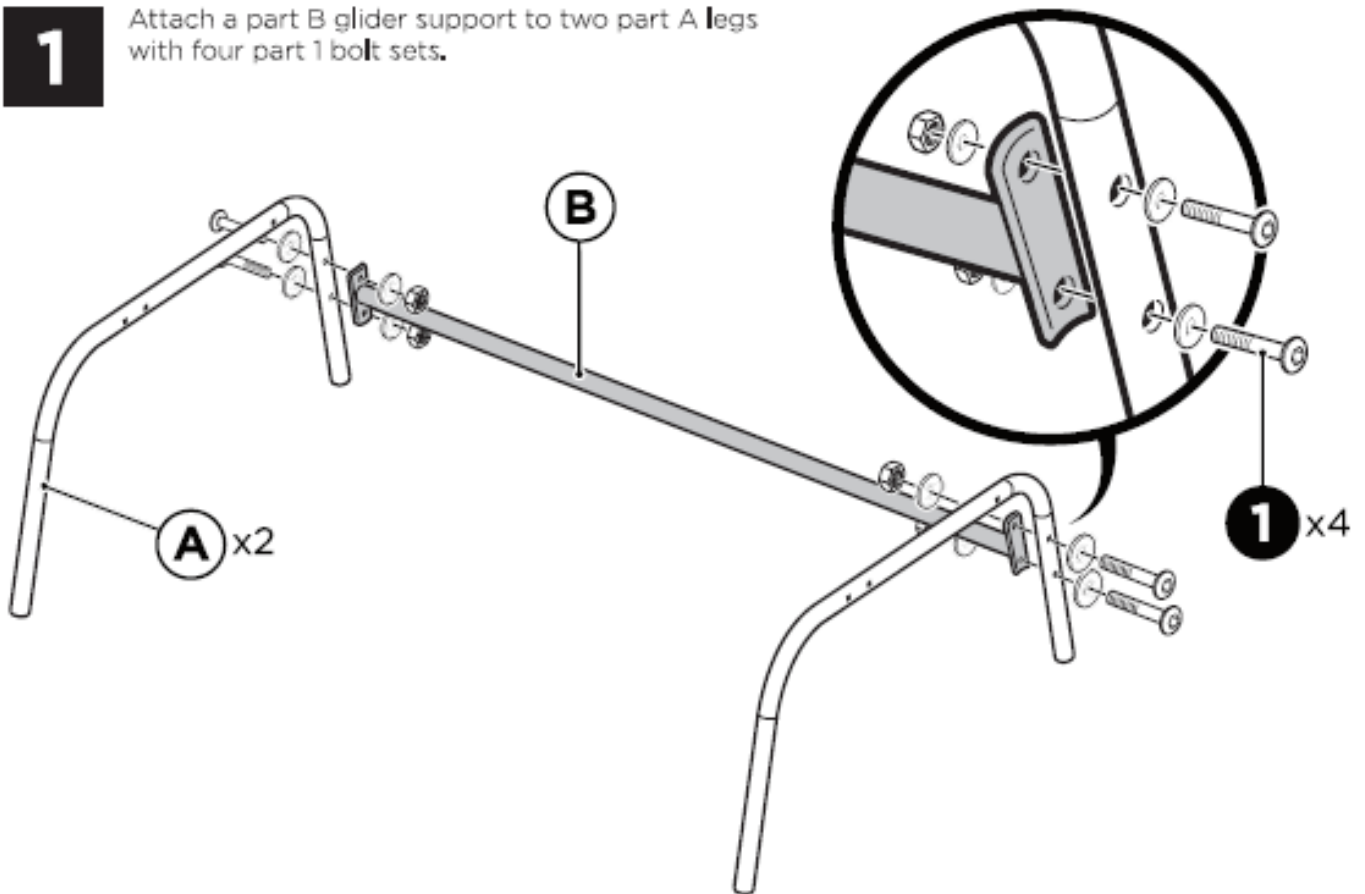
# PARTS LIST



# ASSEMBLY

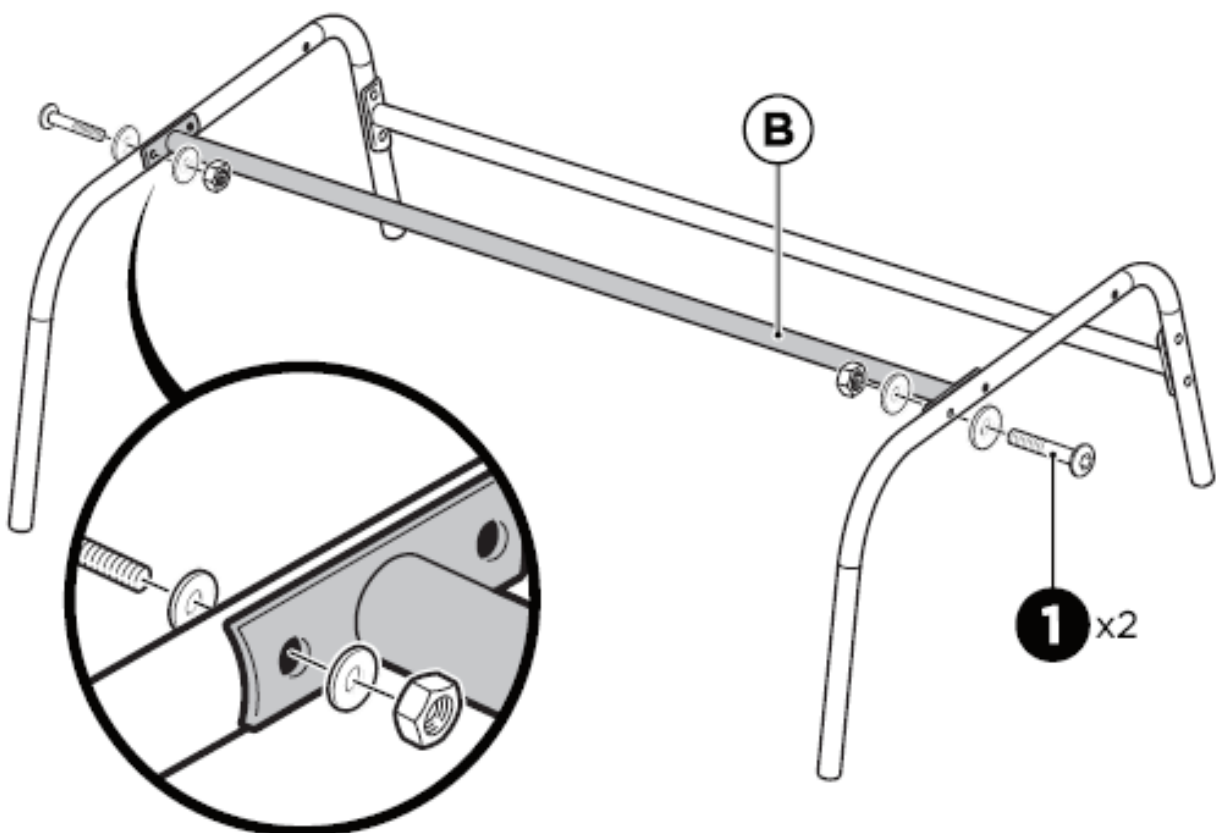
**1**

Attach a part B glider support to two part A legs with four part 1 bolt sets.



**2**

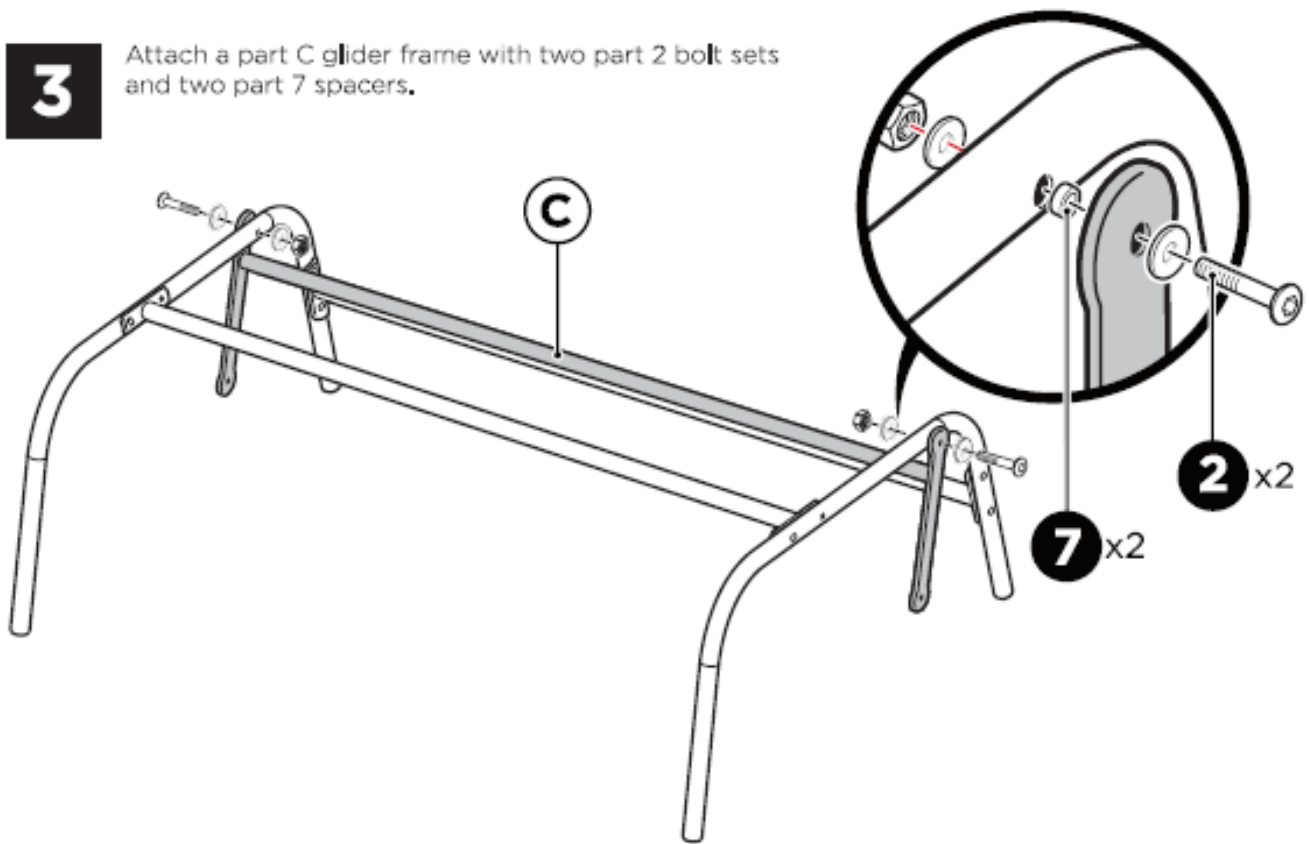
Attach another part B glider support to the legs with two part 1 bolt sets.



# ASSEMBLY

**3**

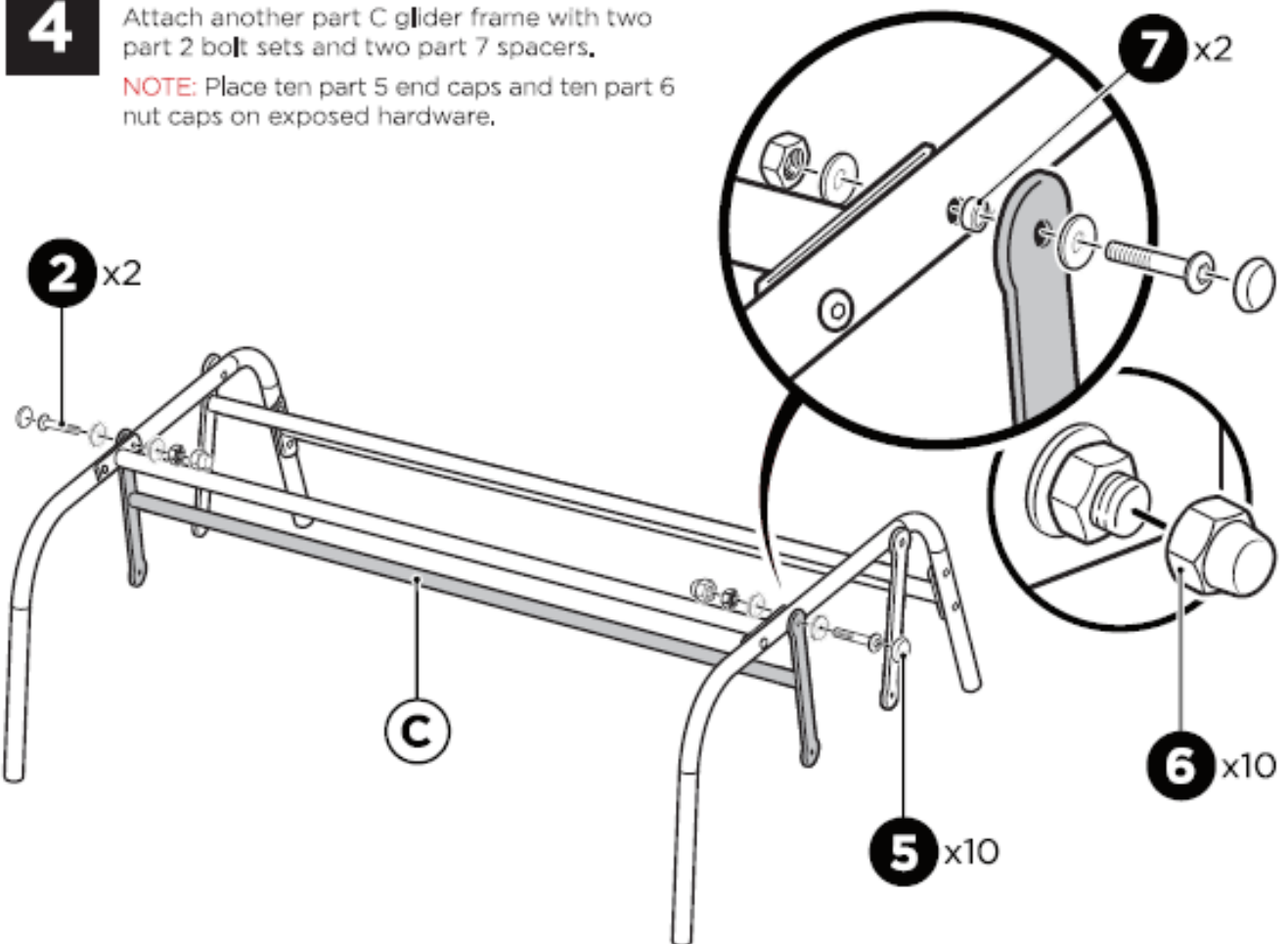
Attach a part C glider frame with two part 2 bolt sets and two part 7 spacers.



**4**

Attach another part C glider frame with two part 2 bolt sets and two part 7 spacers.

**NOTE:** Place ten part 5 end caps and ten part 6 nut caps on exposed hardware.

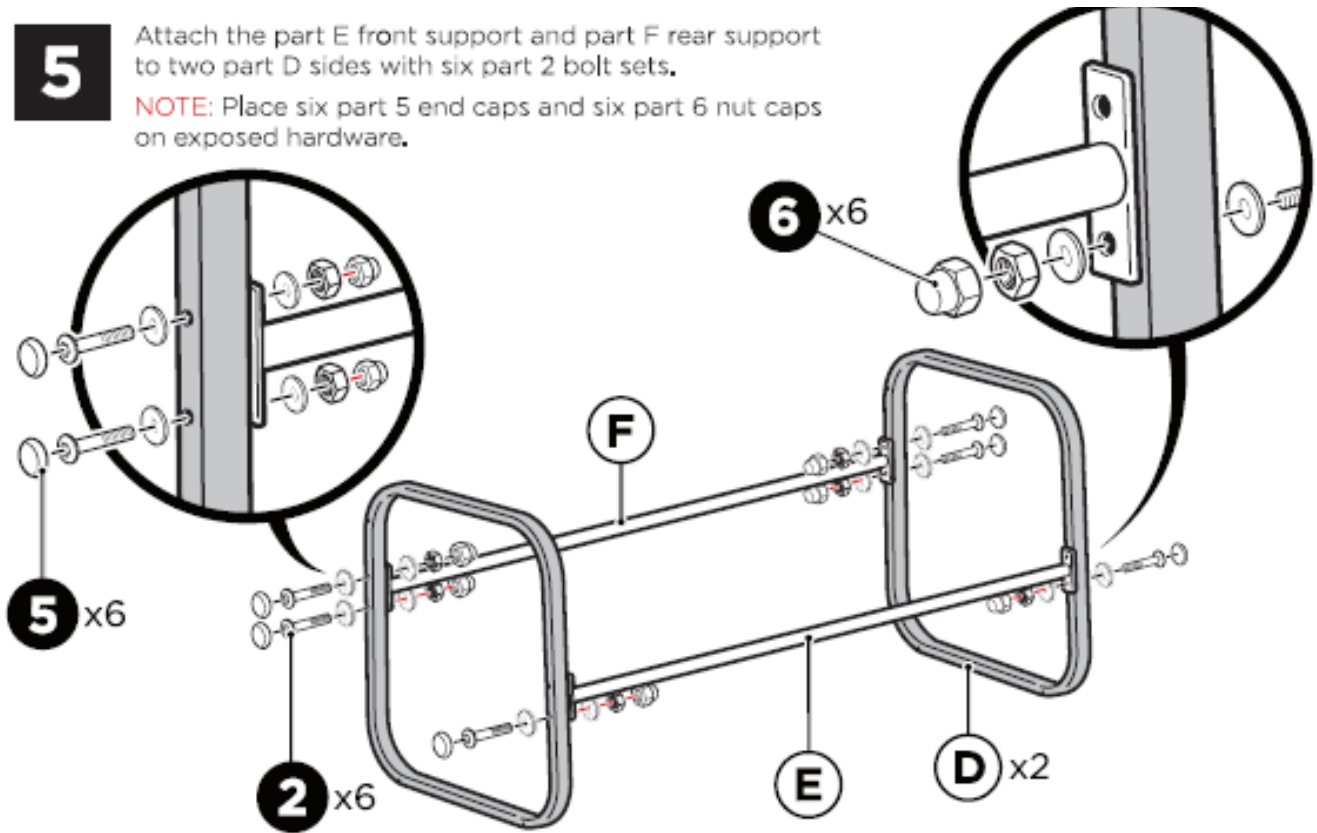


# ASSEMBLY

**5**

Attach the part E front support and part F rear support to two part D sides with six part 2 bolt sets.

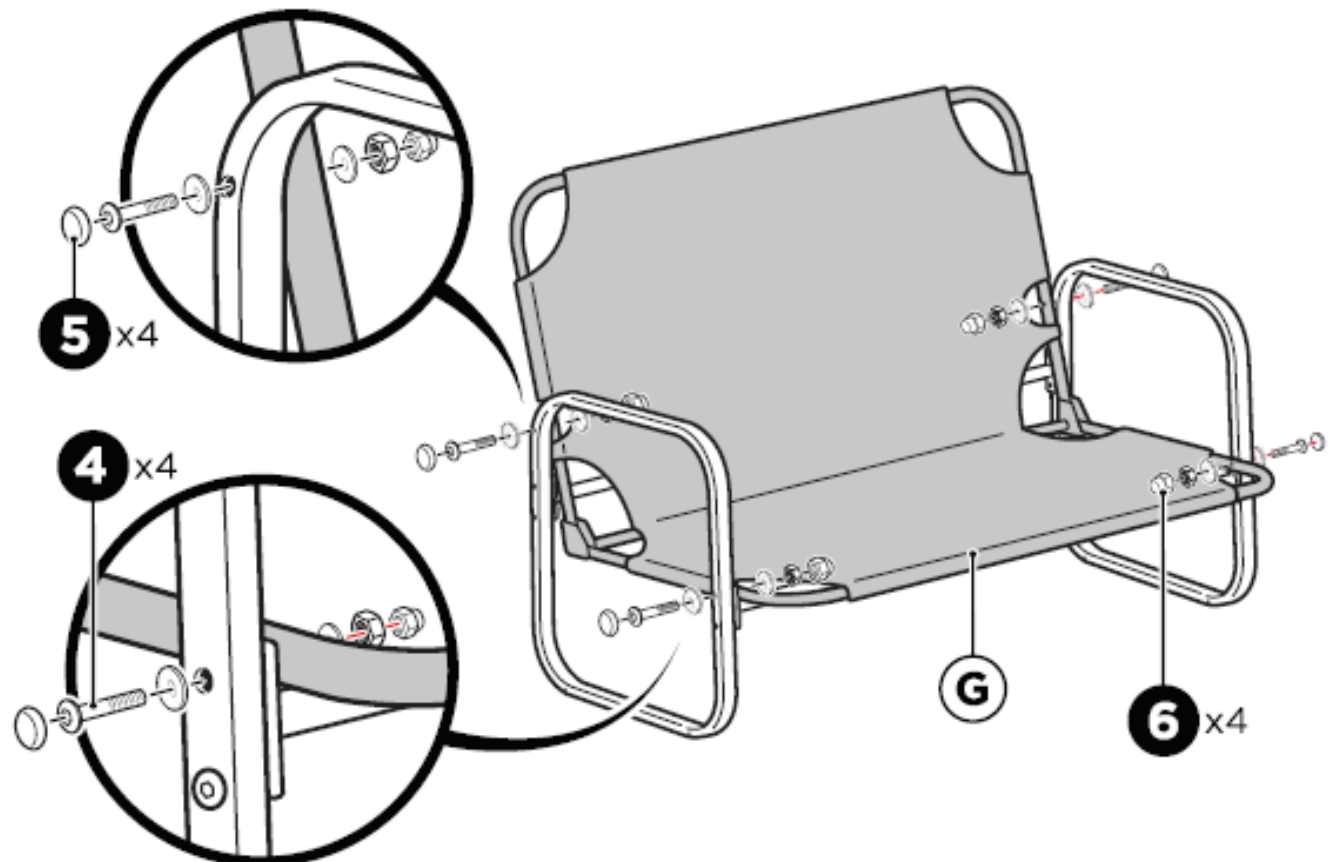
**NOTE:** Place six part 5 end caps and six part 6 nut caps on exposed hardware.



**6**

Attach part G seat to the sides with four part 4 bolt sets.

**NOTE:** Place four part 5 end caps and four part 6 nut caps on exposed hardware.

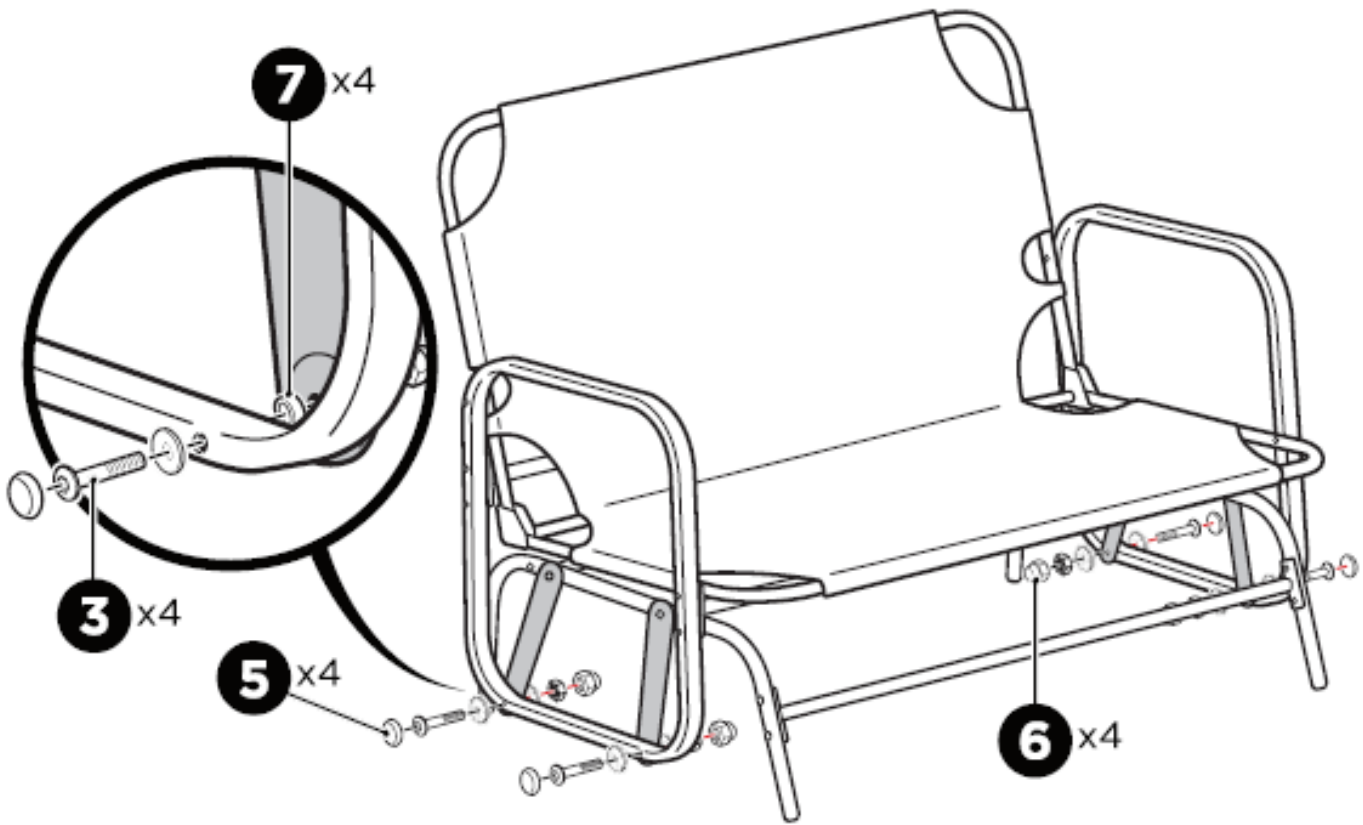


# ASSEMBLY

**7**

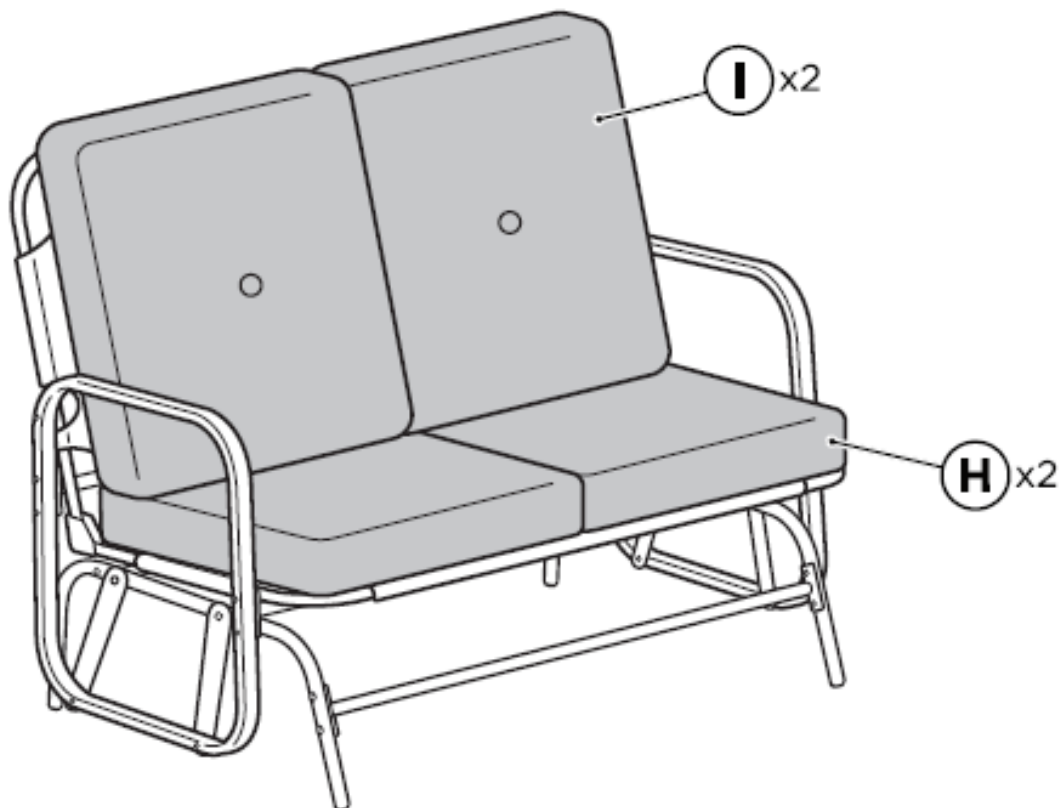
Attach the glider assembly to the seat sides with four part 3 bolt sets and four part 7 spacers.

**NOTE:** Place four part 5 end caps and four part 6 nut caps on exposed hardware.



**8**

Place two part H seat cushions and two part I back cushions.



# DISCLAIMER

## **PLEASE READ THE FOLLOWING CAREFULLY**

THE MANUFACTURER AND/OR DISTRIBUTOR HAS PROVIDED THE PARTS LIST AND ASSEMBLY DIAGRAM IN THIS MANUAL AS A REFERENCE TOOL ONLY. NEITHER THE MANUFACTURER OR DISTRIBUTOR MAKES ANY REPRESENTATION OR WARRANTY OF ANY KIND TO THE BUYER THAT HE OR SHE IS QUALIFIED TO MAKE ANY REPAIRS TO THE PRODUCT, OR THAT HE OR SHE IS QUALIFIED TO REPLACE ANY PARTS OF THE PRODUCT. IN FACT, THE MANUFACTURER AND/OR DISTRIBUTOR EXPRESSLY STATES THAT ALL REPAIRS AND PARTS REPLACEMENTS SHOULD BE UNDERTAKEN BY CERTIFIED AND LICENSED TECHNICIANS, AND NOT BY THE BUYER. THE BUYER ASSUMES ALL RISK AND LIABILITY ARISING OUT OF HIS OR HER REPAIRS TO THE ORIGINAL PRODUCT OR REPLACEMENT PARTS THERETO, OR ARISING OUT OF HIS OR HER INSTALLATION OF REPLACEMENT PARTS THERETO.

**Record Product's Serial Number Here: \_\_\_\_\_**

**Note: If product has no serial number, record month and year of purchase instead.**

**Note: Some parts are listed and shown for illustration purposes only and are not available individually as replacement parts.**