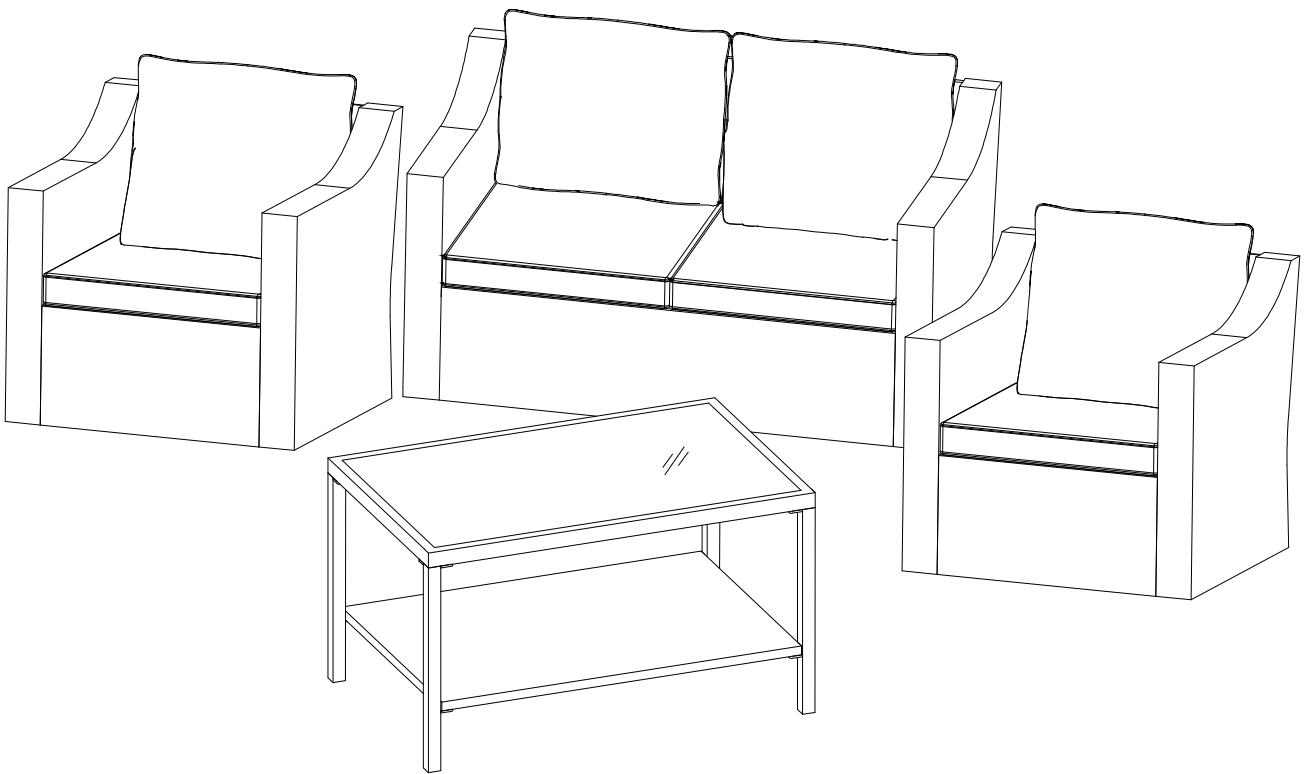

4-Piece Wicker Sectional Sofa Set



The schematics in this manual are for assembly and operation illustration only. They may differ from the umbrella's actual appearance.

User Manual

General Guidelines

- Please read the following instructions carefully and use the product accordingly.
- Please keep this manual and hand it over when you transfer the product.
- This summary may not include every detail of all variations and considered steps. Please contact us when further information and help are needed.
- Any question, please contact our customer service.

Notes

- Personal injury and/or damage to the product may occur if products are used outside of their intended purposes and/or if products have been changed/modified from their original design. The product must be assembled and used in accordance with the provisions of the manual. The seller does not assume any responsibility or liability with respect to any damage caused by incorrect assembly or improper use.
- Carefully check accessories when opening the package. If anything is missing or damaged, please contact us immediately.
- Please do not force or over tighten the nuts. If a nut becomes stuck, unscrew it and start again.
- Keep in mind that not to tighten screw until you fully set up ,After set up, fully tighten screws.
- Please keep all the packaging for the product until you are satisfied with your purchase as we cannot accept any returned item not in the original packaging.
- Please ensure that you have sufficient space and people to assemble the item.

Warnings




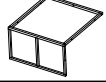
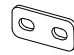

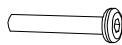
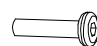
- Keep children away when assembling the product. Small parts are included in the package; they may be fatal if swallowed or inhaled.
- To avoid the potential dangers of suffocation, please keep all parts and packaging (film, plastic bags, foam, etc.) away from babies and children.

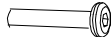


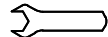




Daily Maintenance

- Sweep surfaces as needed using a soft-bristle brush.
- Store outdoor furniture indoors or cover well when not in use. Whether you live in a mild or harsh climate, using patio furniture covers will prolong the life of your furniture and keep it looking like new.
- To extend the life of your outdoor cushions and pads, clean them regularly. Store away when not in use, preferably in a cool, dry place indoors. Ensure the cushions are completely dry before storing.

ASSEMBLY INSTRUCTION

DESCRIPTION:
SINGLE CHAIR - DO THIS TWICE

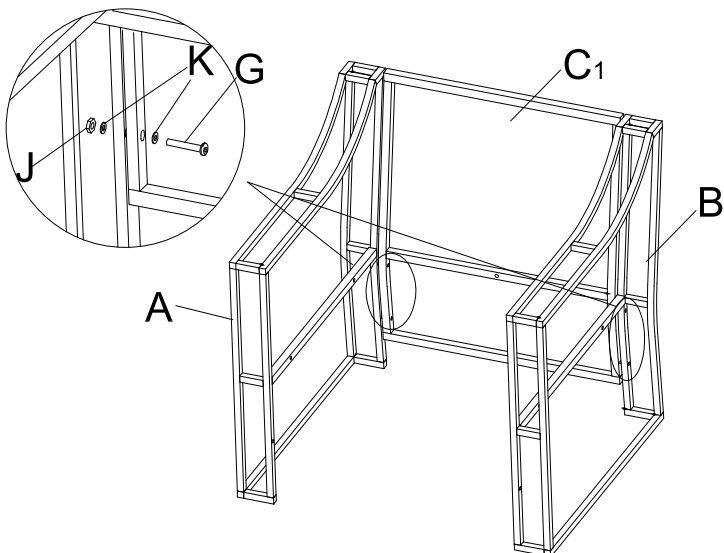
Item no.	Reference Image	Description	Qty.
A		Right Arm Rest	1
B		Left Arm Rest	1
C ₁		Seat Back	1
D ₁		Seat Base	1
E		Bracket	2
F		M6 x 60	4
G		M6 x 50	6
H		M6 x 20	4

Item no.	Reference Image	Description	Qty.
I		M6 x 40	1
J		Nut	10
K		Washer	25
L		Wrench	1
M		Allen Key	1
N		Leveler	4
T		Seat cushion	1
U		Back Cushion	1

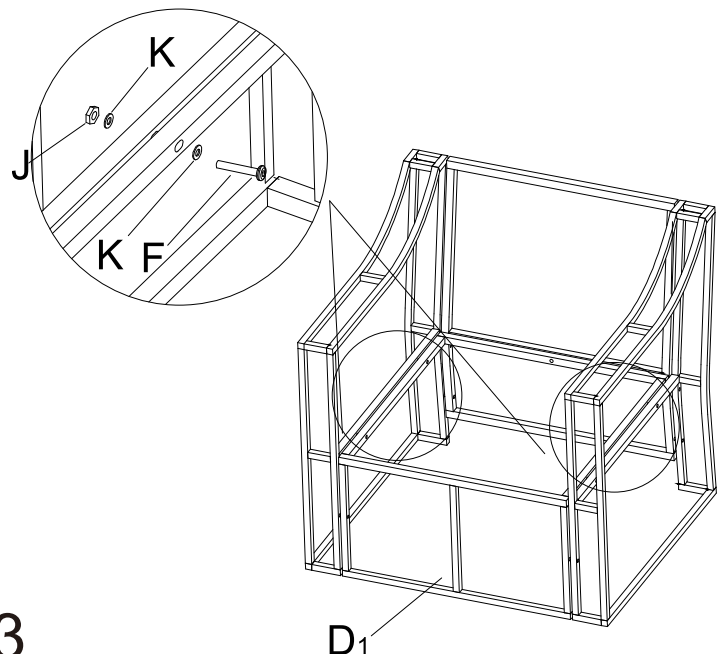
Tips:

Do not tighten all screws fully until the item is well assembled.

STEP 1



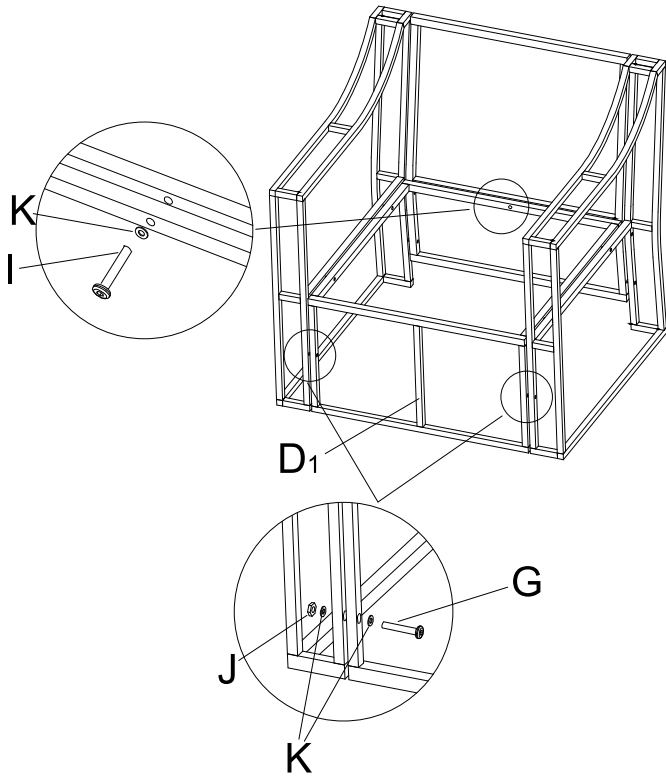
STEP 2



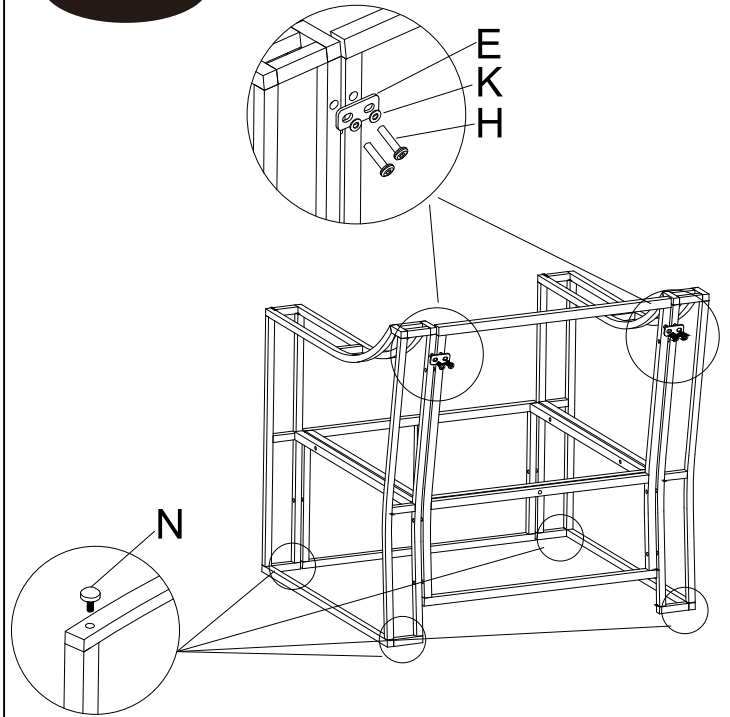
ASSEMBLY INSTRUCTION

DESCRIPTION:
SINGLE CHAIR - DO THIS TWICE

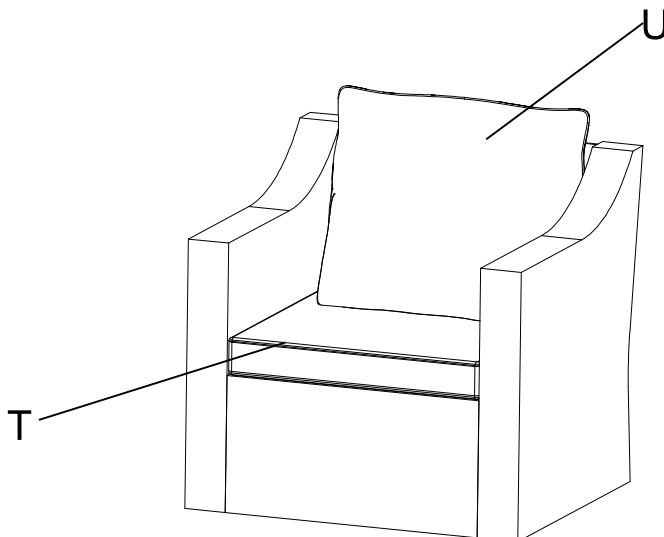
STEP 3



STEP 4


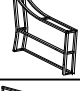


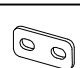
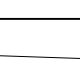





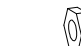


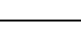


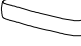
STEP 5



ASSEMBLY INSTRUCTION

DESCRIPTION: SOFA SEAT

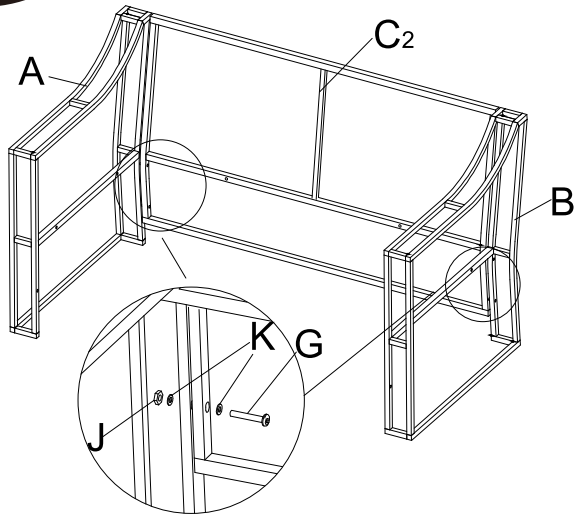
Item no.	Reference Image	Description	Qty.
A		Right Arm Rest	1
B		Left Arm Rest	1
C ₂		Seat Back	1
D ₂		Seat Base	1
E		Bracket	2
F		M6 x 60	4
G		M6 x 50	6
H		M6 x 20	4

Item no.	Reference Image	Description	Qty.
I		M6 x 40	2
J		Nut	10
K		Washer	26
L		Wrench	1
M		Allen Key	1
N		Leveler	4
V		Seat cushion	2
U		Back Cushion	2

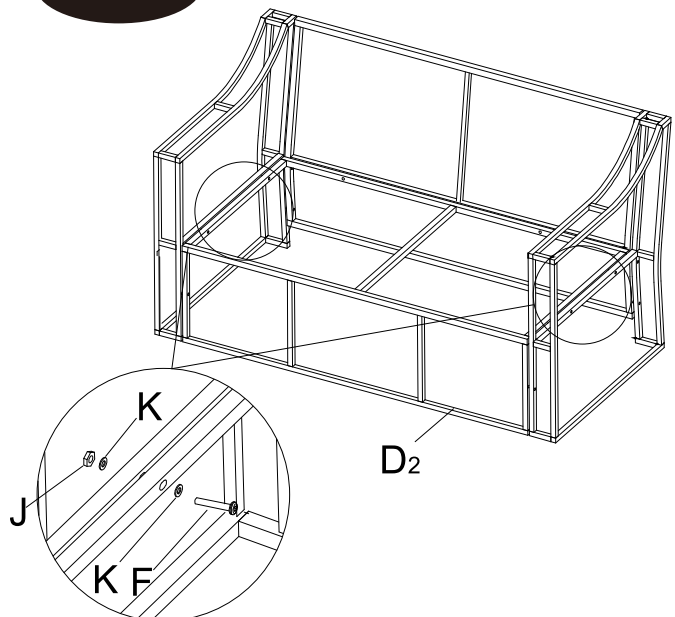
Tips:

Do not tighten all screws fully until the item is well assembled.

STEP 1



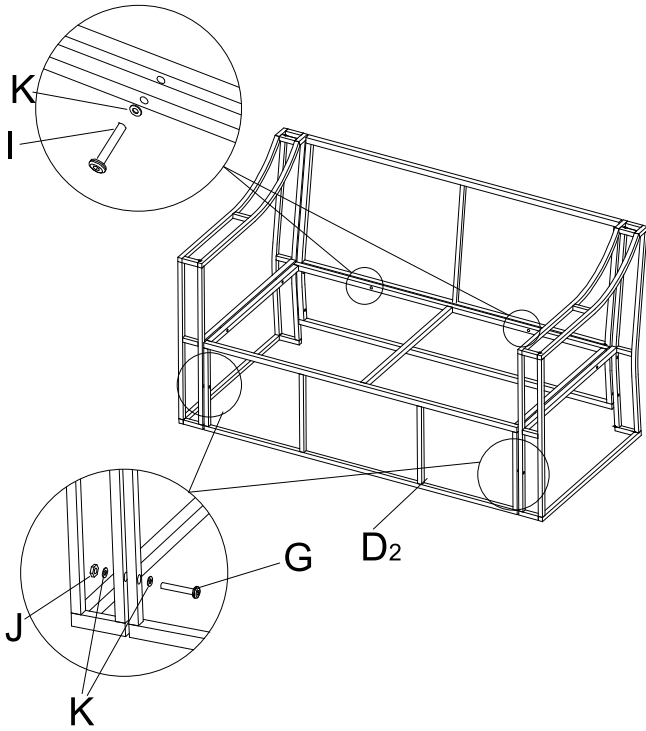
STEP 2



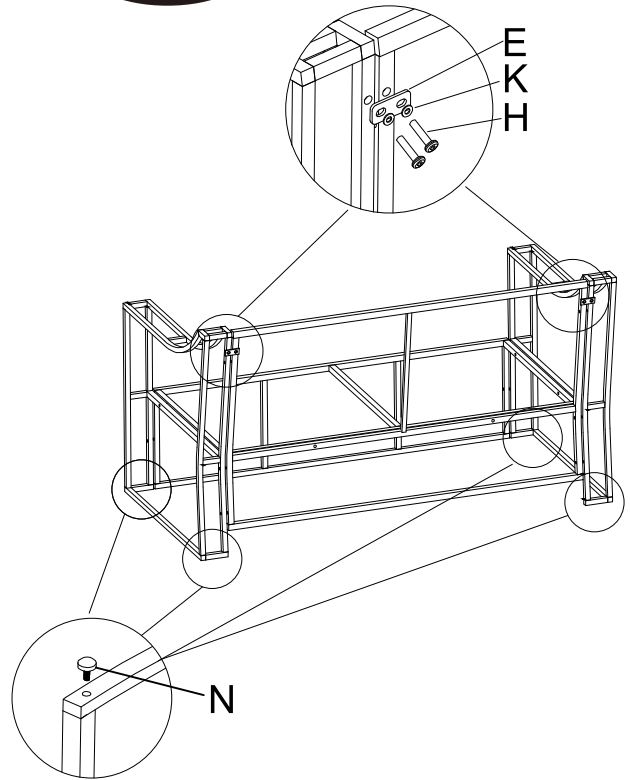
ASSEMBLY INSTRUCTION

DESCRIPTION:
SOFA SEAT

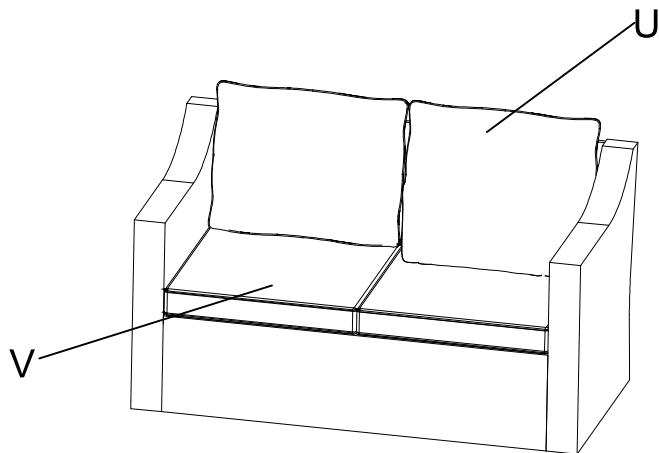
STEP 3



STEP 4

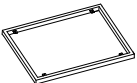
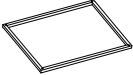

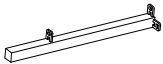


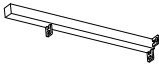

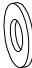

STEP 5



ASSEMBLY INSTRUCTION

DESCRIPTION: COFFEE TABLE

Item no.	Reference Image	Description	Qty.
O		Table Top	1
P		Base	1
Q		Glass	1
R		Leg 1	2

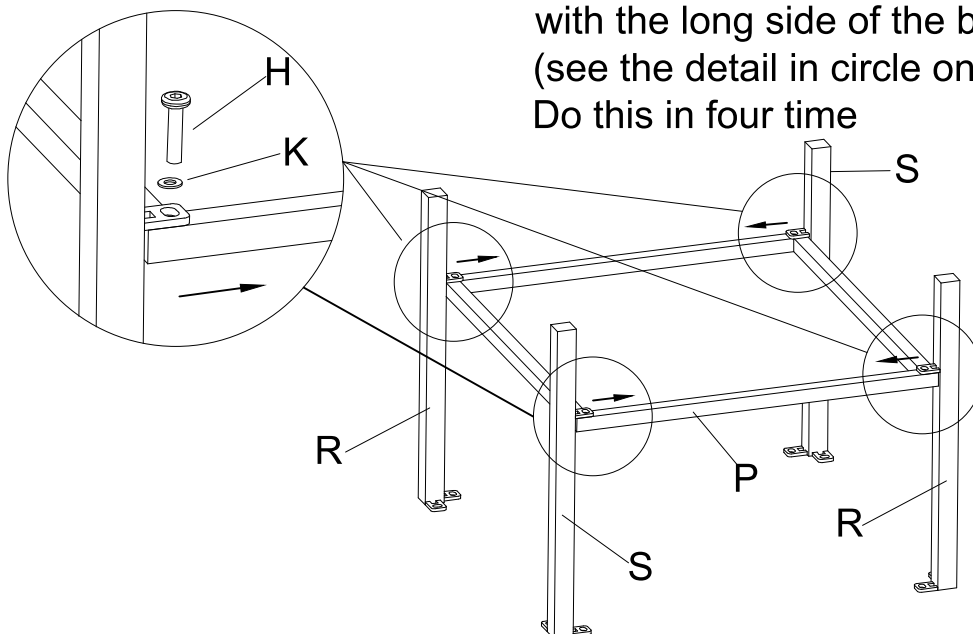
Item no.	Reference Image	Description	Qty.
S		Leg 2	2
H		M6 x 20	12
K		Washer	12
M		Allen Key	1

Tips:

Do not tighten all screws fully until the item is well assembled.

STEP 1

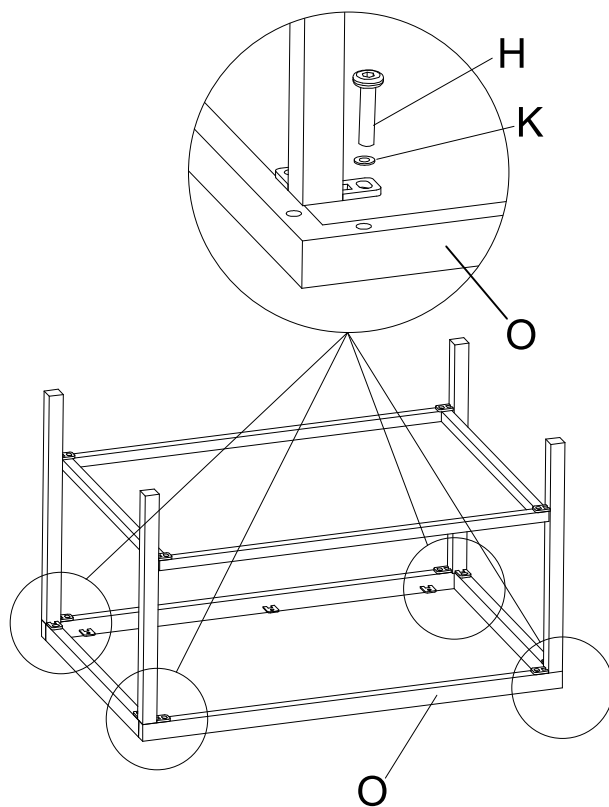
Note: Make sure the connecting bar on the leg(R&S) needs to be put aligned with the long side of the base(P) (see the detail in circle on the drawing)
Do this in four time



ASSEMBLY INSTRUCTION

DESCRIPTION:
COFFEE TABLE

STEP 2



STEP 3

