

ASSEMBLY INSTRUCTIONS



CURIO CABINET

REVISION 0 : 03/15/2018
REVISION 1 : 06/12/2024
REVISION 2 : 04/18/2025

PAGE 1 OF 9

ASSEMBLY INSTRUCTIONS

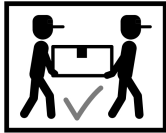
ASSEMBLY TIPS:

1. Remove hardware from box and sort by size.
2. Please check to see that all hardware and parts are present prior to start of assembly.
3. Please follow attached instructions in the same sequence as numbered to assure fast & easy assembly.



WARNING!

1. Don't attempt to repair or modify parts that are broken or defective. Please contact the store immediately.
2. This product is for home use only and not intended for commercial establishments.



ASSEMBLY TIME 50 MINUTES

PARTS IDENTIFICATION

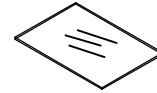
A	DOOR GLASS 1555x382mm		1PC
B	SIDE GLASS 1576x345mm		2PCS
C	BACK GLASS 1576x387mm		1PC
D	PLASTIC BAR		2PCS
EN	CROSSBAR		4PCS
F1	TOP WOOD PANEL		1PC
F2	BOTTOM WOOD PANEL		1PC

ASSEMBLY INSTRUCTIONS

PARTS IDENTIFICATION

G

GLASS SHELF
382x285mm



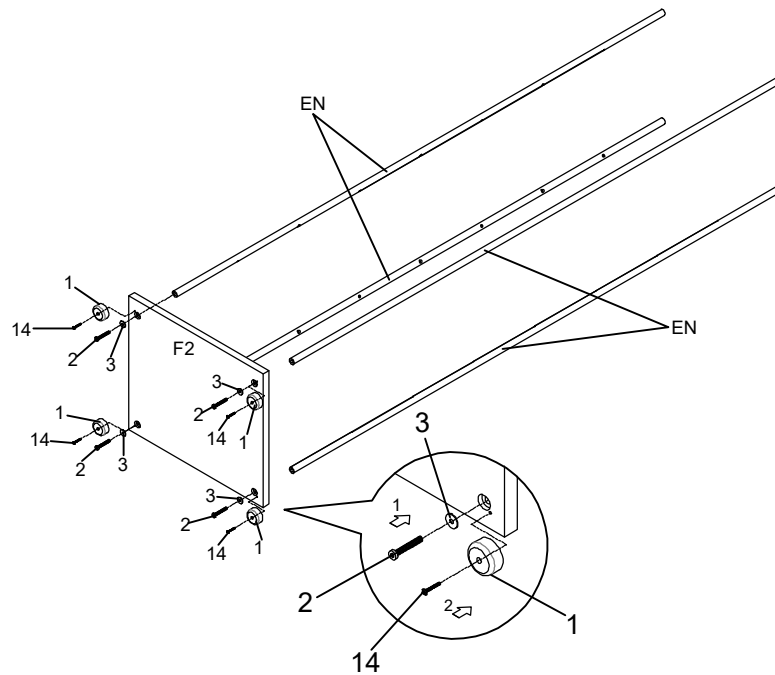
3PCS

HARDWARE IDENTIFICATION

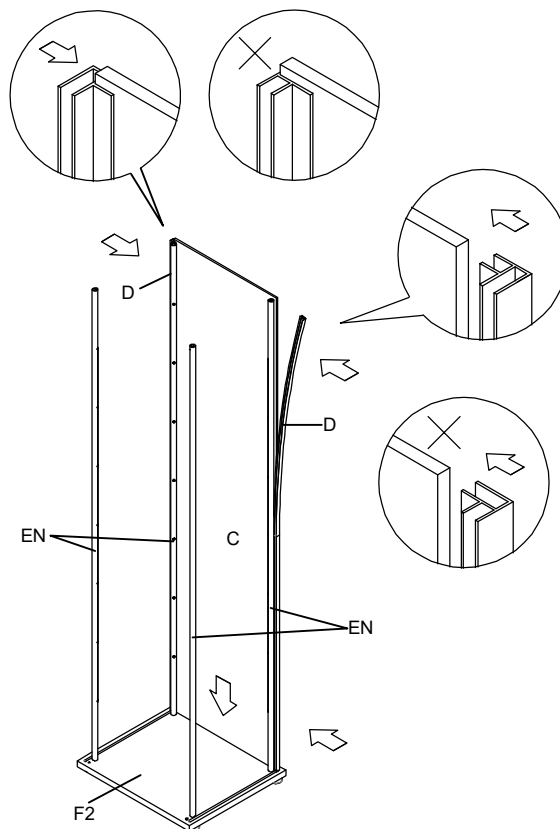
1	PLASTIC FEET ($\phi 44 \times 18\text{mm}$)		4PCS	9	BOLT-SMALL ($\phi 7 \times 6\text{mm}$)		4PCS
2	BOLT-LARGE ($1/4" \times 1-3/4"$)		8PCS	10	PLASTIC MAGNET (19mm)		2PCS
3	WASHER ($1/4" \times 16\text{mm}$)		8PCS	11	HANDLE (40mm)		1PC
4	SUCTION CUP ($\phi 20 \times 28\text{mm}$)		12PCS	12	METAL CONTACT (40mm)		1PC
5	BOLT-MEDIUM ($\phi 8 \times 30\text{mm}$)		12PCS	13	TWIN ADHESIVE ($38 \times 42\text{mm}$)		2PCS
6	HINGE (40mm)		2PCS	14	SCREW ($\phi 8 \times 22\text{mm}$)		4PCS
7	HINGE INSERT (38mm)		2PCS	15	ALLEN KEY (4mm)		1PC
8	METAL CONTACT (38mm)		2PCS	16	STICKER ($\phi 20\text{mm}$)		4PCS

ASSEMBLY INSTRUCTIONS

STEP 1

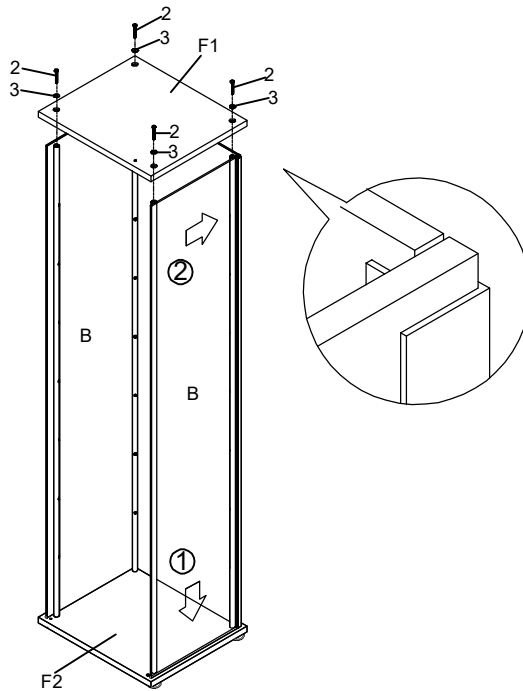


STEP 2

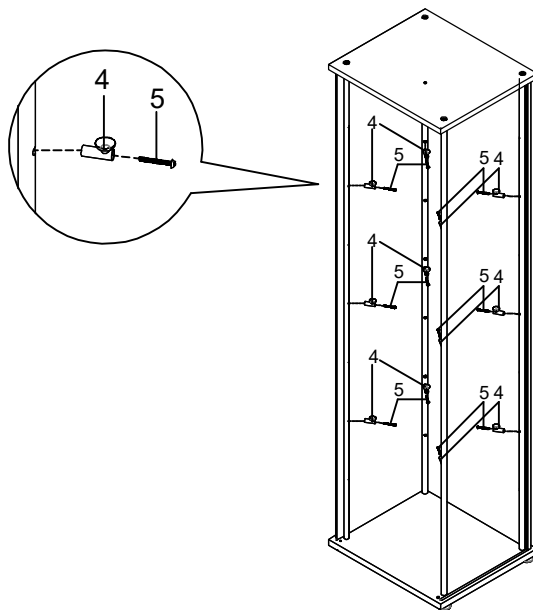


ASSEMBLY INSTRUCTIONS

STEP 3

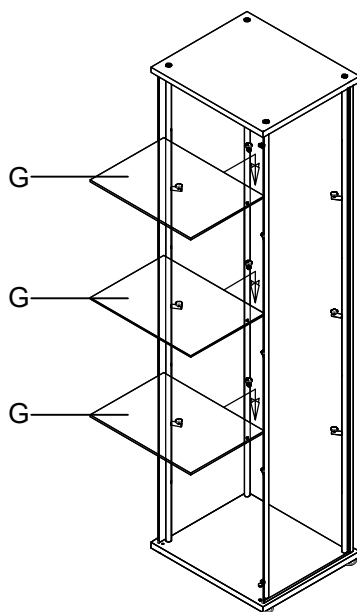


STEP 4

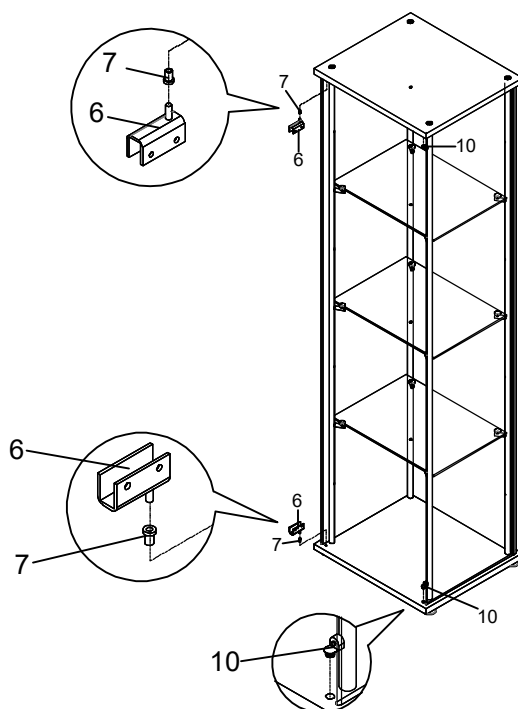


ASSEMBLY INSTRUCTIONS

STEP 5

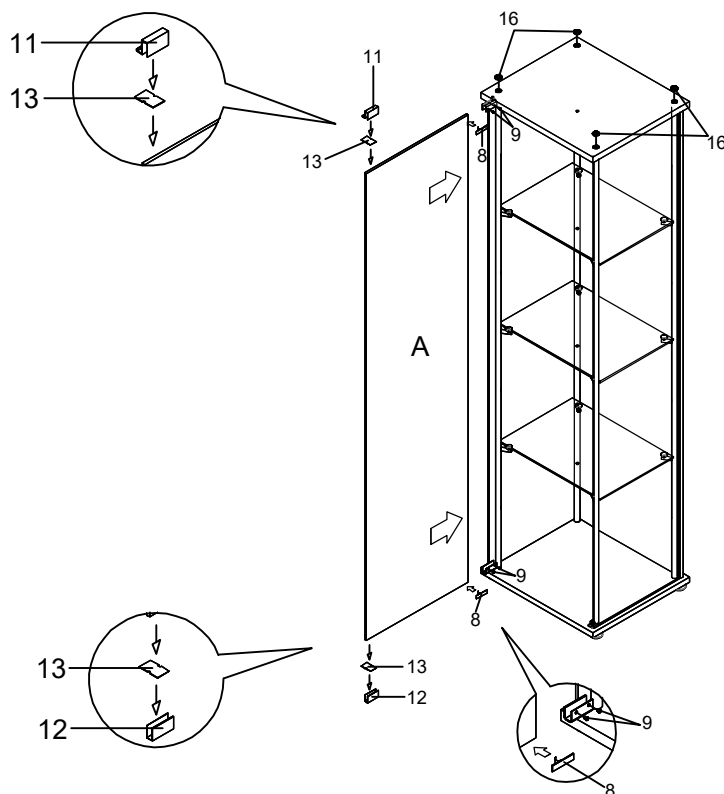


STEP 6

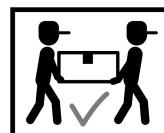
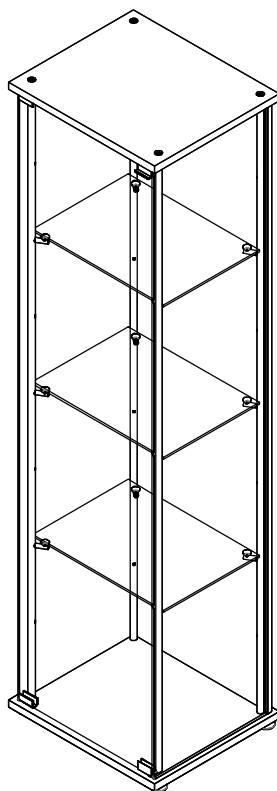


ASSEMBLY INSTRUCTIONS

STEP 7

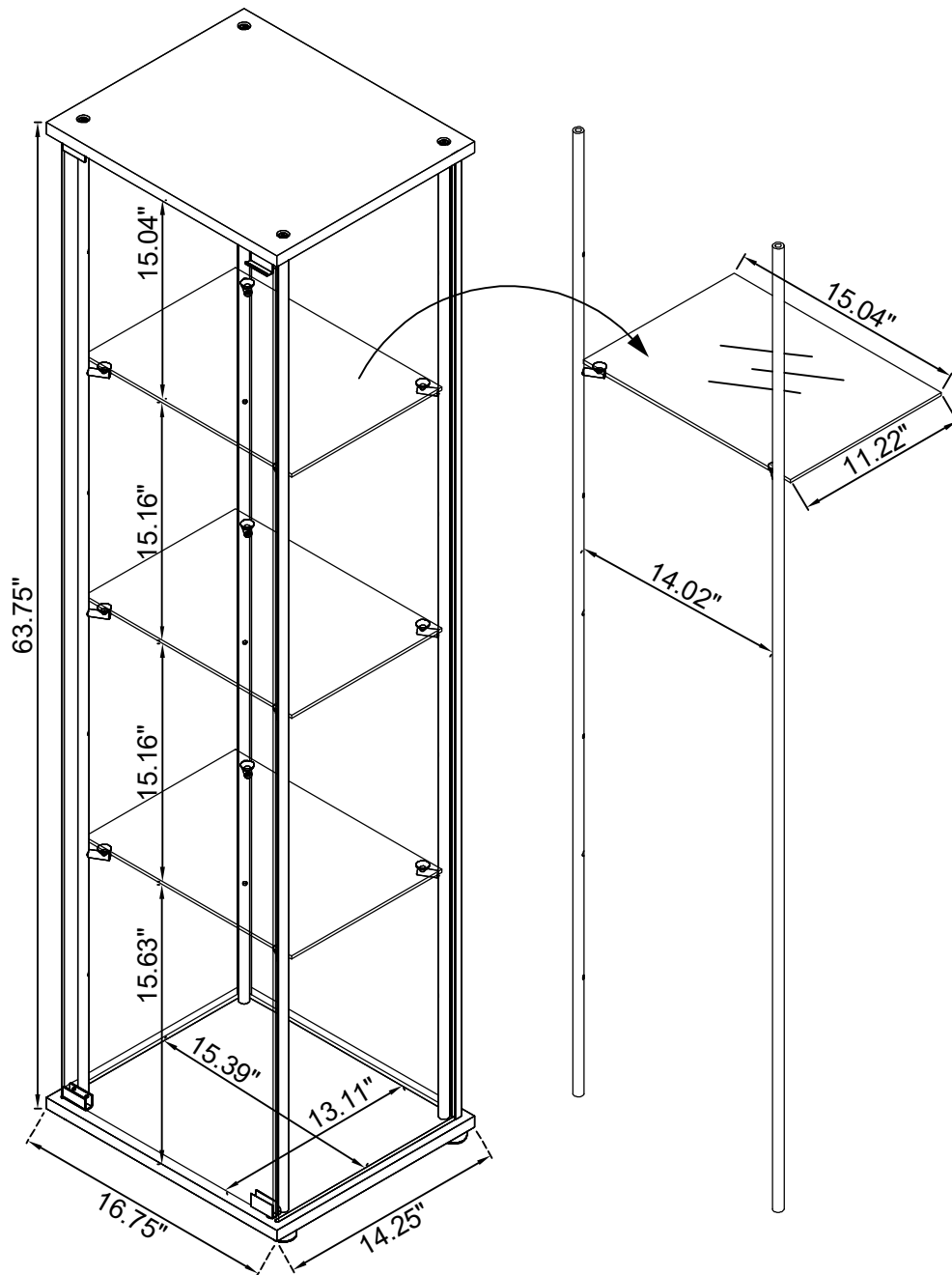


STEP 8 COMPLETE



ASSEMBLY INSTRUCTIONS

Product Size : 425 X 362 X 1620 H (MM)
Product Size : 16.75" X 14.25" X 63.75"



Note : Dimension tolerance $\pm 5\%$

ANTI-TIPPING INSTALLMENT INSTRUCTIONS

FURNITURE TIPPING RESTRAINT

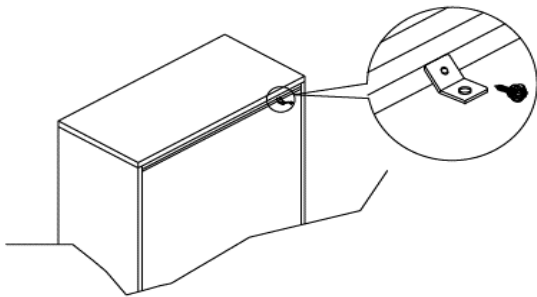
WARNING

Injury may result from tipping furniture.
This restraint may protect against tipping furniture.
Do not allow children to climb on furniture.
This restraint is not a substitute for proper adult supervision.
Failure to detach this restraint before moving the furniture may result in injury and damage.

This tip restraint must be attached to a wall stud using long screw enclosed.

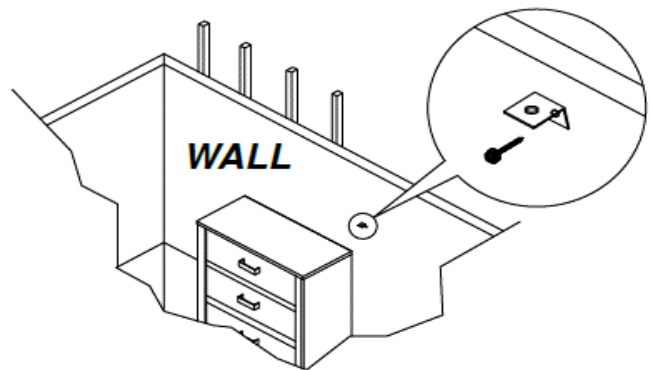
STEP 1

Attach a bracket securely to the back top rail of the furniture using short screw provided, through the smaller hole.



STEP 2

Locate the other bracket on the wall over a plastic wall stud and two inches below the mounting bracket secured to the back of the furniture. Attach the wall stud using the long screw provided, through the smaller hole.



STEP 3

Place the furniture into position so both mounting brackets are vertically in line. Lace the end of the restraint strap through the larger hole in each mounting bracket. Bring both ends together and slide the flat end through the locking end and draw it through until all slack is removed. Confirm that the strap is securely laced and locked.

