

Assembly Instruction

A



1X

B



4X

C



8X

D



8X

E



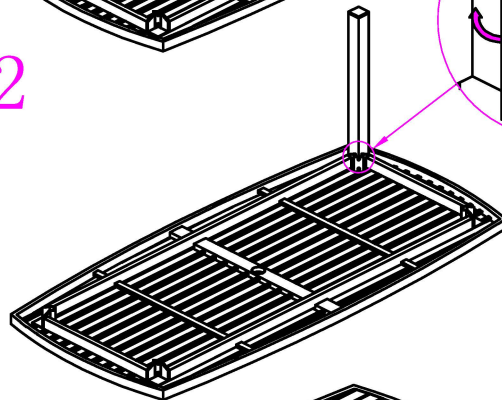
1X

1



A

2



3

