



## ASSEMBLY INSTRUCTIONS COASTER FINE FURNITURE



*Fine Furniture for every stage of life*

REVISION: 0 11/8/2019  
REVISION: 1 3/10/2020  
REVISION: 2 9/20/2022

PAGE 1 OF 5

**508888**  
***Sectional***  
COASTERFURNITURE.COM

ITEM: **508888**



## ASSEMBLY INSTRUCTIONS

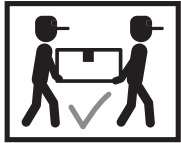
### ASSEMBLY TIPS:

1. Remove hardware from box and sort by size.
2. Please check to see that all hardware and parts are present prior to start of assembly.
3. Please follow attached instructions in the same sequence as numbered to assure fast & easy assembly.



### WARNING!

1. Don't attempt to repair or modify parts that are broken or defective. Please contact the store immediately.
2. This product is for home use only and not intended for commercial establishments.

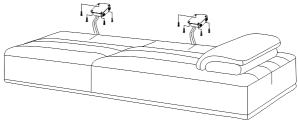



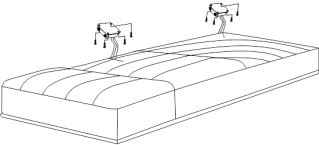

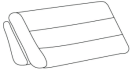




ASSEMBLY TIME


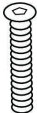

3 MINUTES

## PARTS IDENTIFICATION

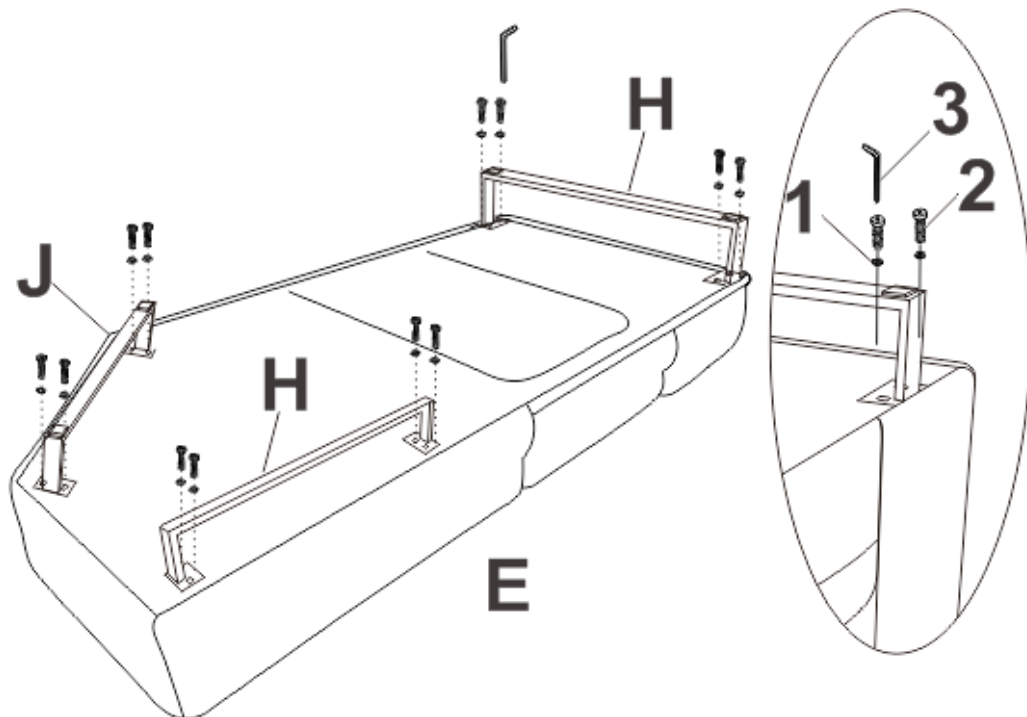
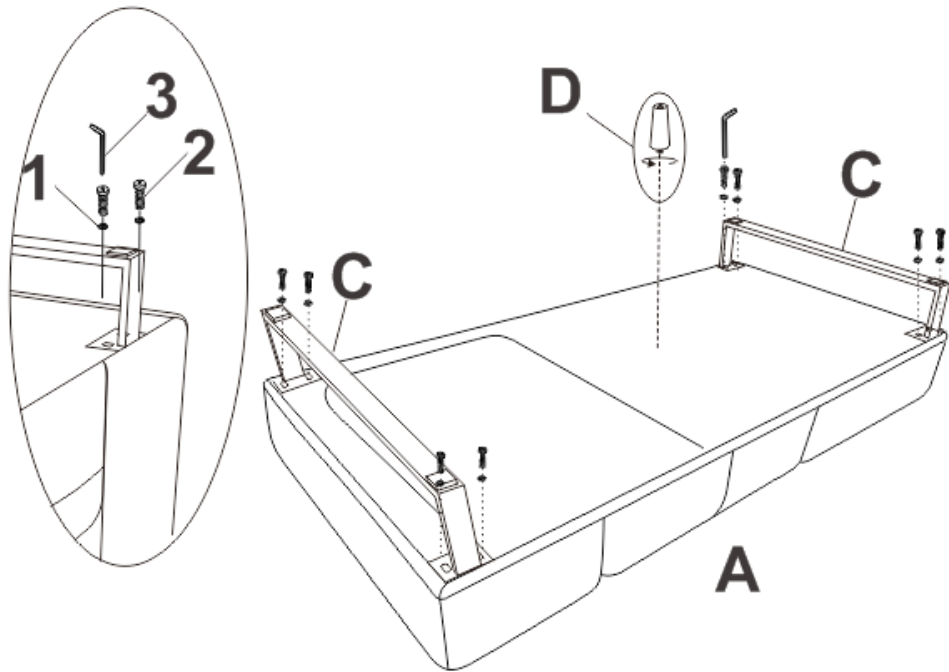
### B1(BOX1)

<b>A</b> SOFA BASE		1PC
<b>B</b> SOFA BACK CUSHION		2PCS
<b>C</b> SOFA LARGE LEG FRAME		2PCS
<b>D</b> MIDDLE LEG		1PC
<b>B2(BOX2)</b>		
<b>E</b> CHAISE BASE		1PC
<b>F</b> LARGE BACK CUSHION		1PC
<b>G</b> SMALL BACK CUSHION		1PC
<b>H</b> CHAISE LARGE LEG FRAME		2PCS
<b>J</b> SMALL LEG FRAME		1PC

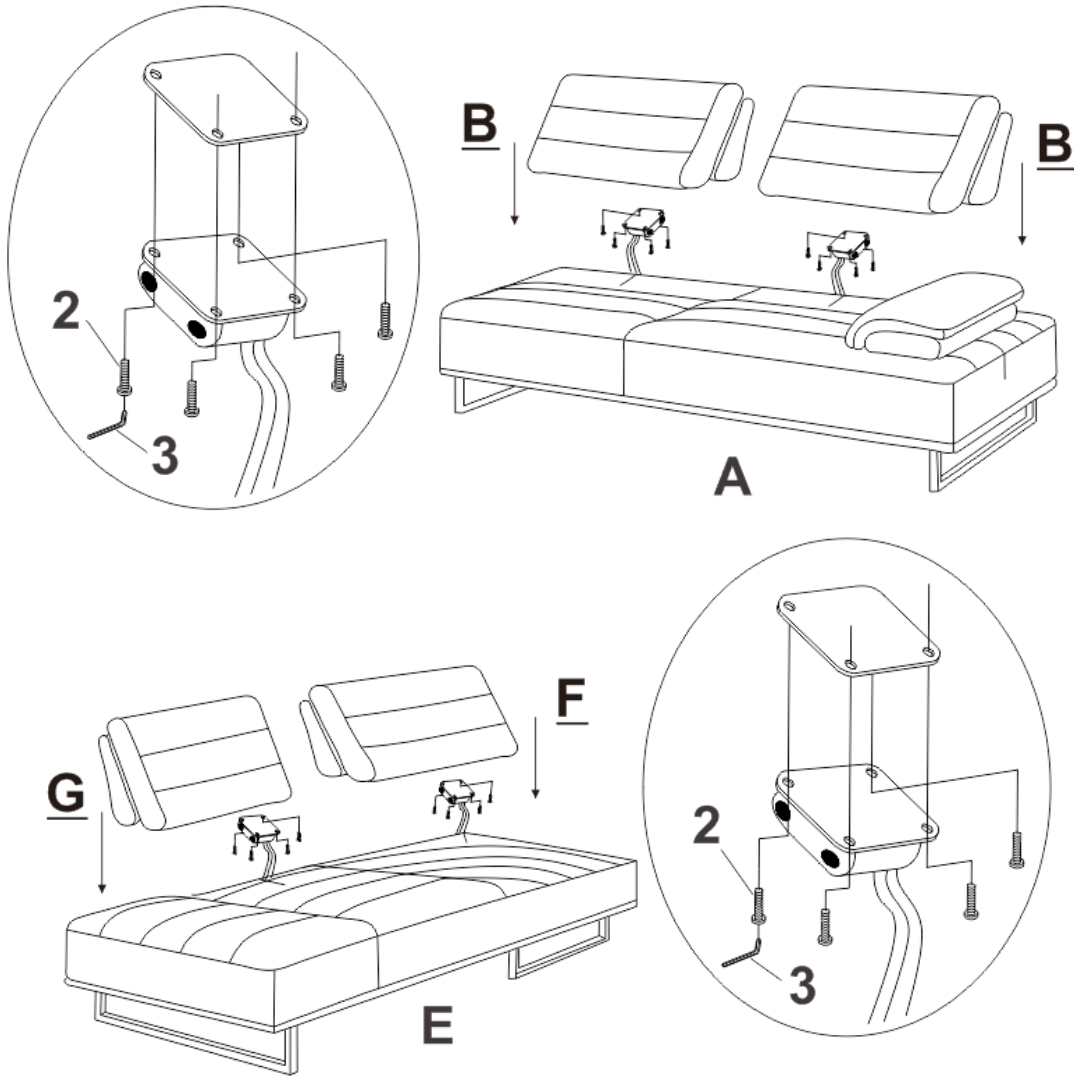
## Z HARDWARE IDENTIFICATION

<b>1</b> WASHER	 $\varnothing 0.6\text{cm}$	20PCS
<b>2</b> BOLT	 0.6X30cm	36PCS
<b>3</b> WRENCH	 $\varnothing 0.6\text{cm}$	4PCS

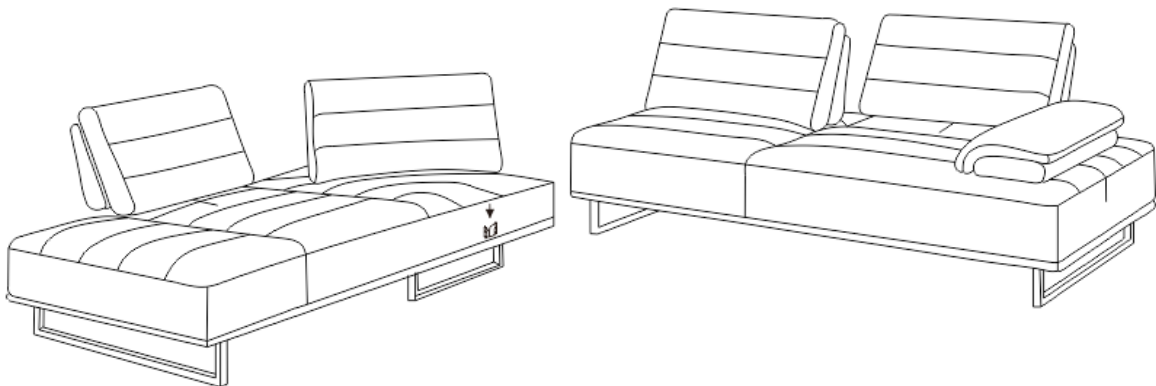
**STEP 1**

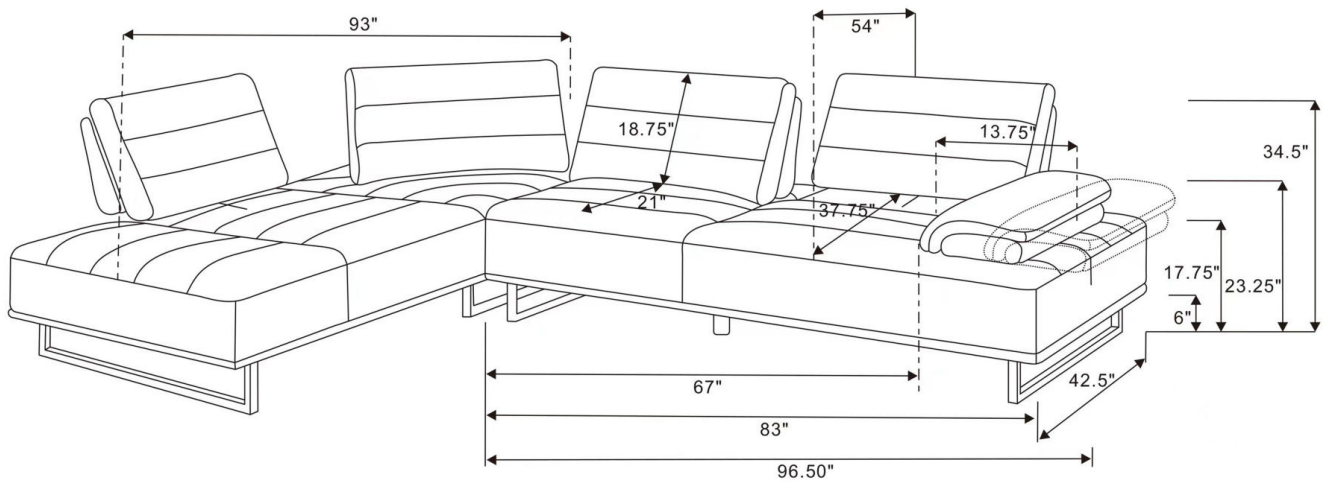


## STEP 2



## STEP 3





**Note: Dimension tolerance  $\pm 5\%$**