

ASSEMBLY INSTRUCTION

A Table Top



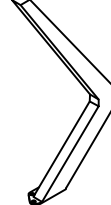
1 PC

B Left Leg



2 PCS

C Right Leg



2 PCS

D Iron



2 PCS

E Connecting Rod



1 PC

F Bolt
1/4 " * 3/4 "



20 PCS

G Spring Washer
1/4 "



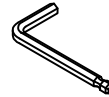
12 PCS

H Flat Washer
1/4 "

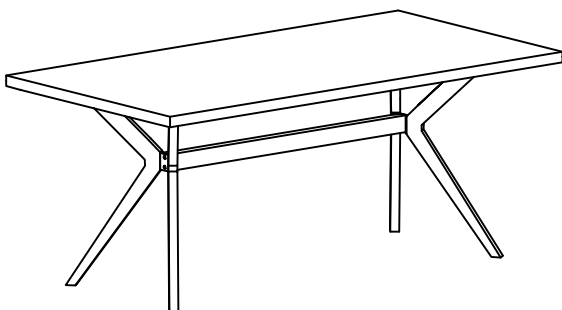


20PCS

I Allen Key
M4

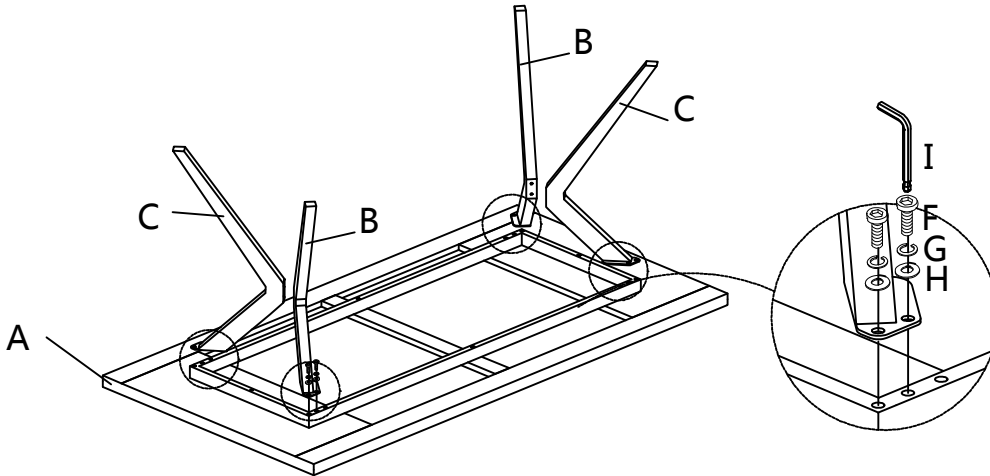


1 PC

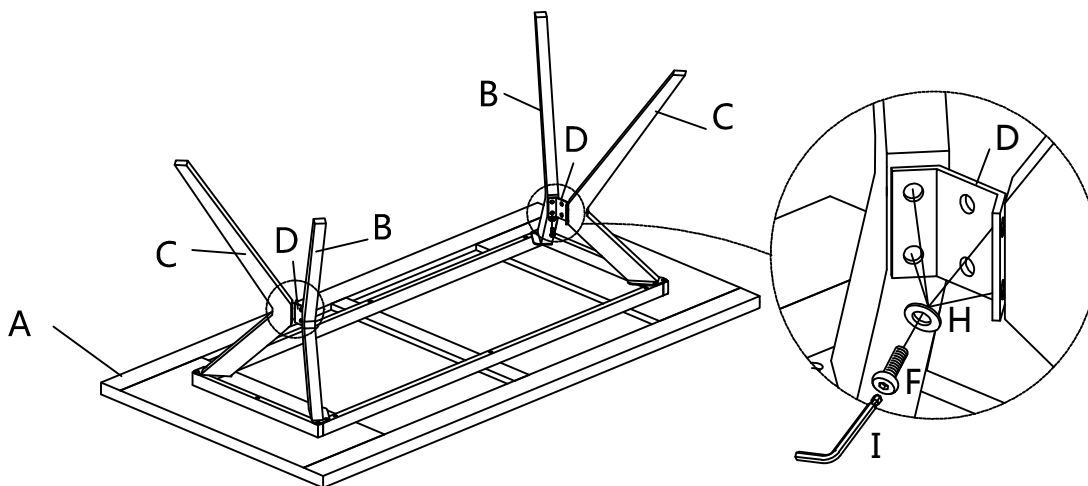


This page lists all the contents included in the box. Please take the time to identify the hardware as well as the individual components to this product. As you unpack and prepare for assembly, place the contents on a carpeted or padded area to protect them from damage.

-
- 1** Attach Left Leg (B) and Right Leg (C) to bottom of Table Top (A) using Bolt (F), Spring Washer (G), Flat Washer (H) with Allen Key (I).
Note: At this stage, do not fully tighten the Bolts.

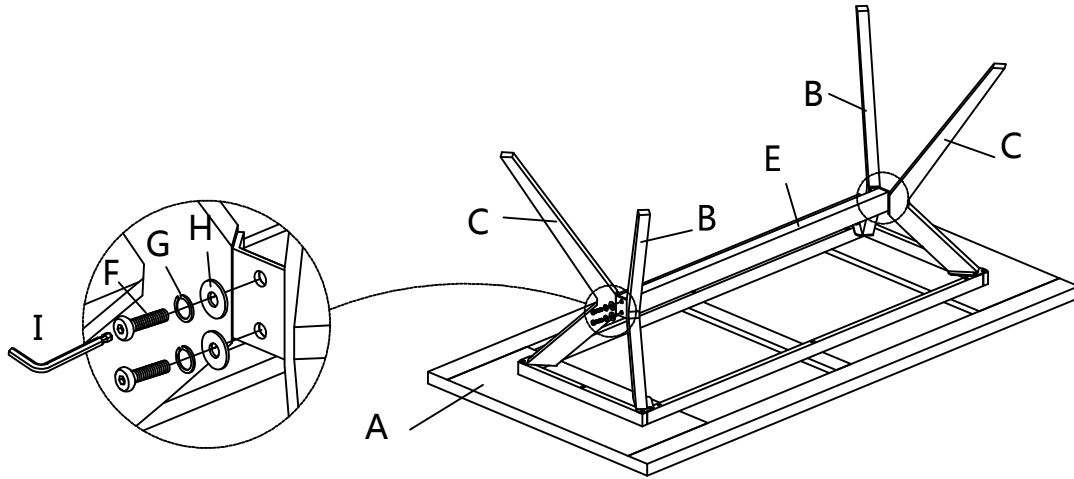


-
- 2** Attach Iron (D) to Left Leg (B) and Right Leg (C) using Bolt (F), Flat Washer (H) with Allen Key (I).
Note: At this stage, tighten all Bolts at all joints fully in a sequential manner.

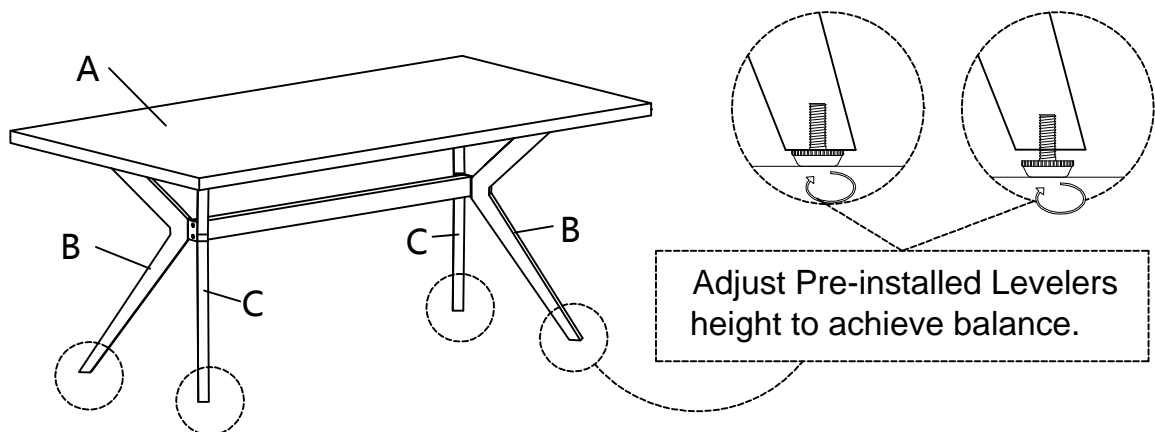


- 3** Attach Connecting Rod (E) to Left Leg (B) and Right Leg (C) using Bolt (F), Spring Washer (G), Flat Washer (H) with Allen Key (I).

Note: Lock all the screws after they have aligned the holes.



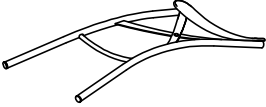

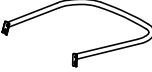





- 4** With assistance from your adult partners, turn the Dining Table right way up. Adjust the Pre-installed Levelers on the bottom of Left Leg (B) and Right Leg (C) until the Dining Table is level with the ground.

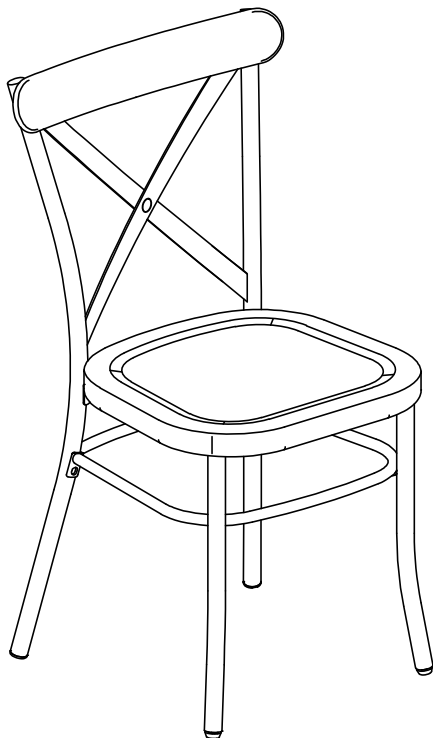


Cleaning & Care

Treat surface with care. Surface is resistant to scratches but is not scratch resistant. Clean surfaces with a dry or damp soft cloth. Do not use abrasive cleaners. Hardware may loosen over time. Periodically check that all connections are tight.

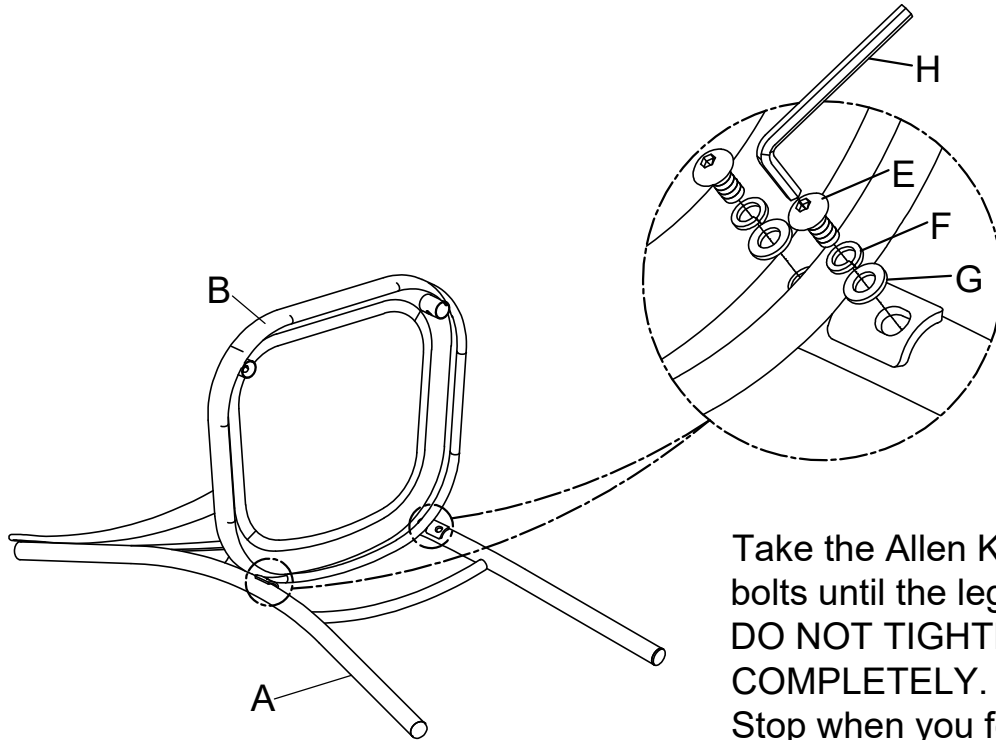
ASSEMBLY INSTRUCTION

| | | | |
|---|---|--|---|
| A Chair Back | B Seat | C Stretcher | D Front Leg |
|  |  |  |  |
| 1pc | 1pc | 1pc | 2pcs |
| E Bolt Ø1/4"x5/8" | F Lock Washer Ø1/4"x3/8" | G Flat Washer Ø1/4"x1/2" | H Allen Key M4 |
|  |  |  |  |
| 10pcs | 10pcs | 10pcs | 1pc |



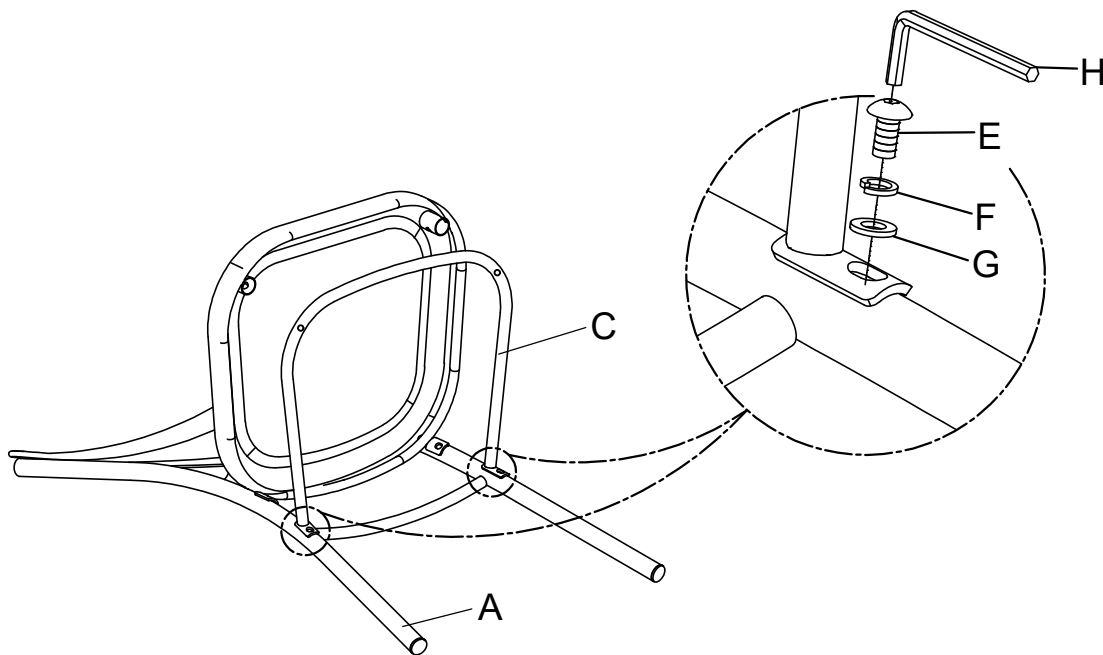
This page lists all the contents included in the box. Please take the time to identify the hardware as well as the individual components to this product. As you unpack and prepare for assembly, place the contents on a carpeted or padded area to protect them from damage.

-
- 1** Attach Seat (B) to the Chair Back (A) using Bolt (E), Lock Washer (F) and Flat Washer (G) by Allen Key (H).



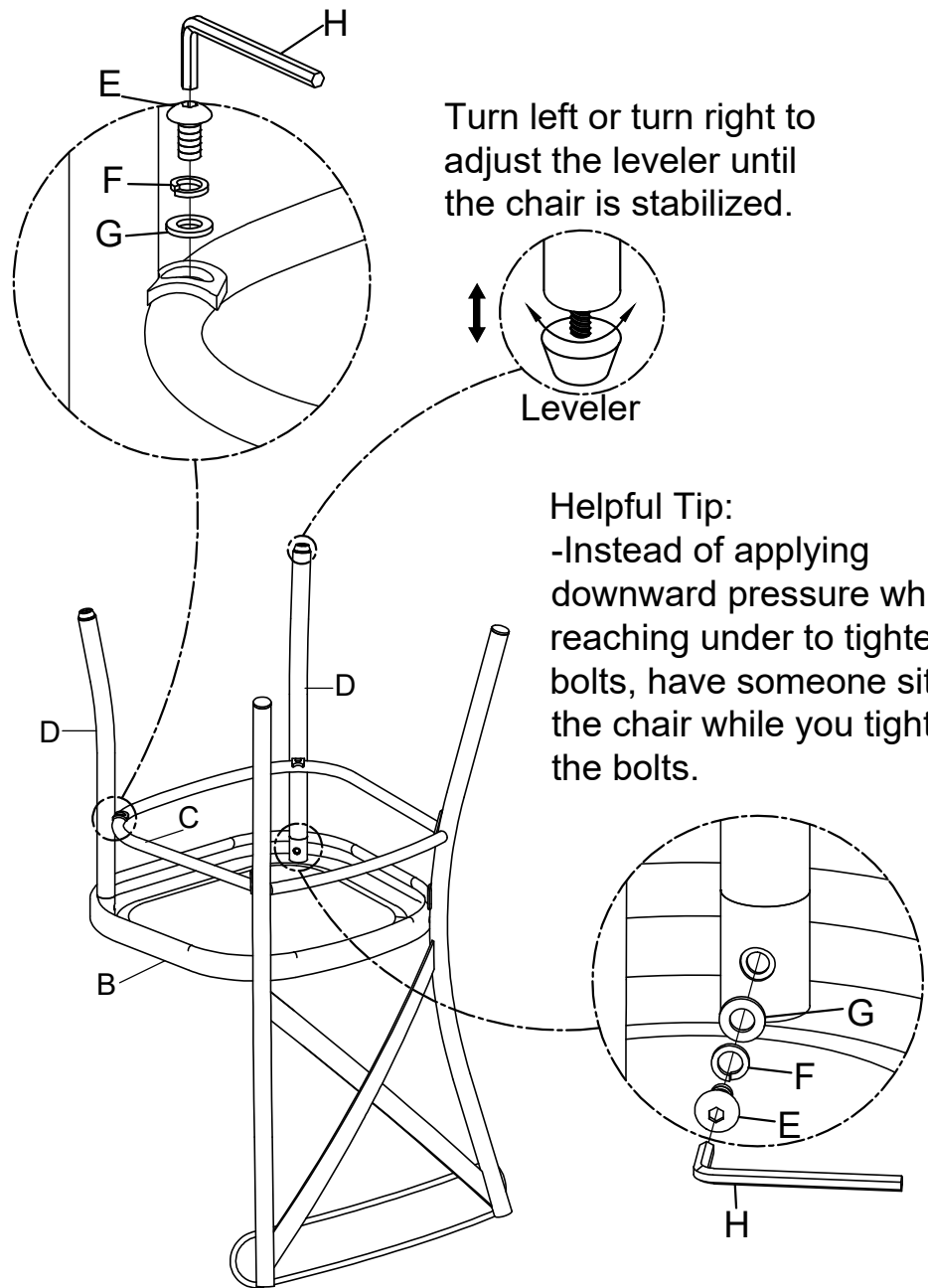
Take the Allen Key, and turn the bolts until the legs are secure. **DO NOT TIGHTEN COMPLETELY.** Stop when you feel you are adding force to tighten the bolt.

-
- 2** Attach Stretcher (C) to the Chair Back (A) using Bolt (E), Lock Washer (F) and Flat Washer (G) by Allen Key (H).



3 Attach Front Leg (D) to Seat (B), Stretcher (C) using Bolt (E), Lock Washer (F), Flat Washer (G) by Allen Key (H).

Stand chair up on an even surface and check that it is balanced. If there is a slight wobble, apply downward pressure in the corner where a leg is uneven. Keeping pressure in that corner, tighten all bolts. If balanced, apply downward pressure evenly in the center and tighten all bolts. Do not over-tighten beyond hole depth.



Cleaning & Care

Treat surface with care. Surface is resistant to scratches but is not scratch resistant. Clean surfaces with a dry or damp soft cloth. Do not use abrasive cleaners. Hardware may loosen over time. Periodically check that all connections are tight.