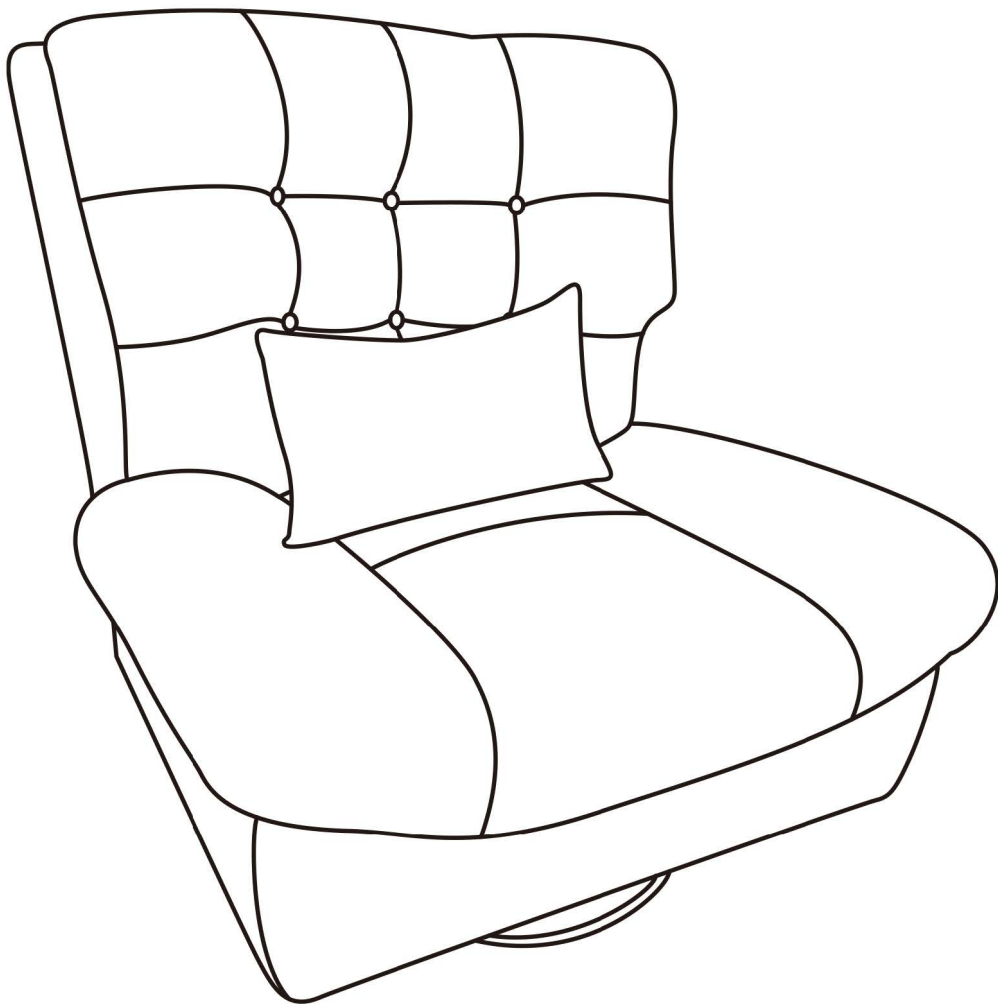


SWIVEL CHAIRS



CONGRATULATIONS!

Swivel Chair - a name synonymous with classic design and the carrier of value and quality. Our products are directly from factory and eliminated the cost of middlemen. The Swivel Chair is a high-quality shading solution to enhance comfortable feelings as you try to enjoy the nice day.

WARRANTY

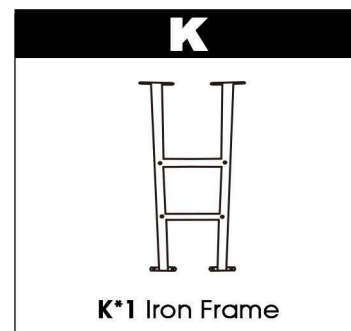
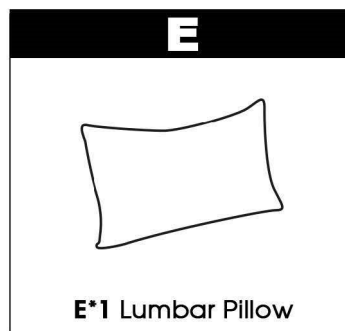
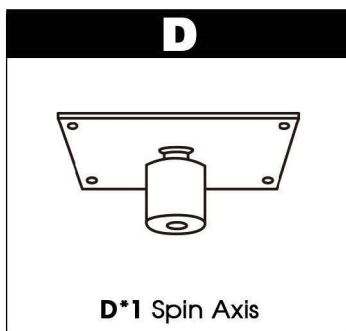
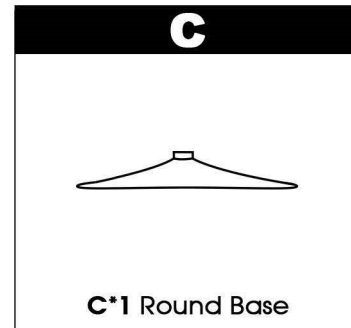
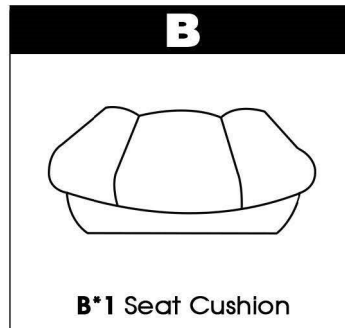
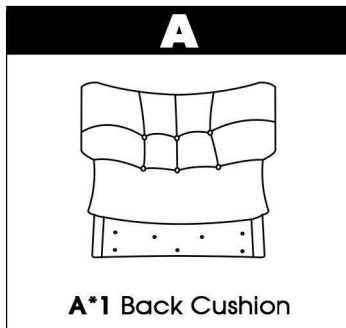
- All warranties are to the original purchaser
- We will replace the defective parts or send replacement item provided that the warranty parts have not been subjected to misuse, abuse or improper service by the consumer, for example, damaged wire arising in consequence of negligence or improper operation.
- All of chairs come with a 30-day return/replace policy. During this time, we will cover the shipping cost of return and replacement for defective and damaged item, through provide pre-paid return label or pick up service for customer's convenience.

PARTS LIST

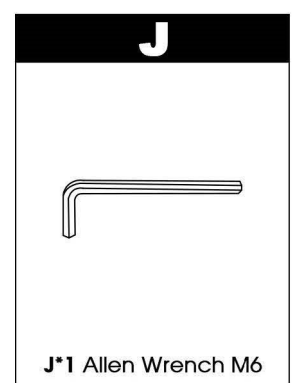
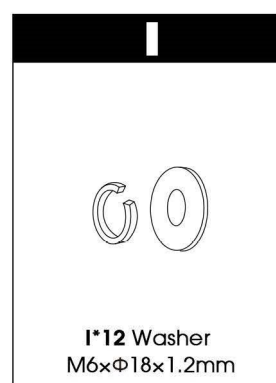
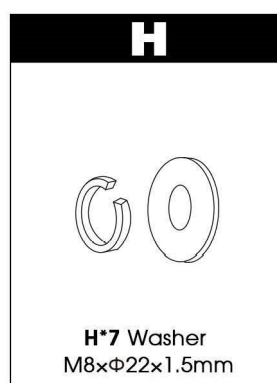
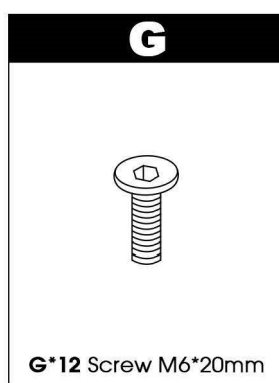
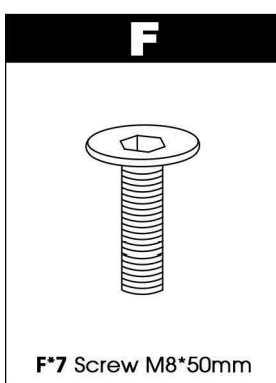


NOTE :Parts #C, #D, #K are in part #B.

Please open #B, take out the above parts and start the installation.



HARDWARE LIST

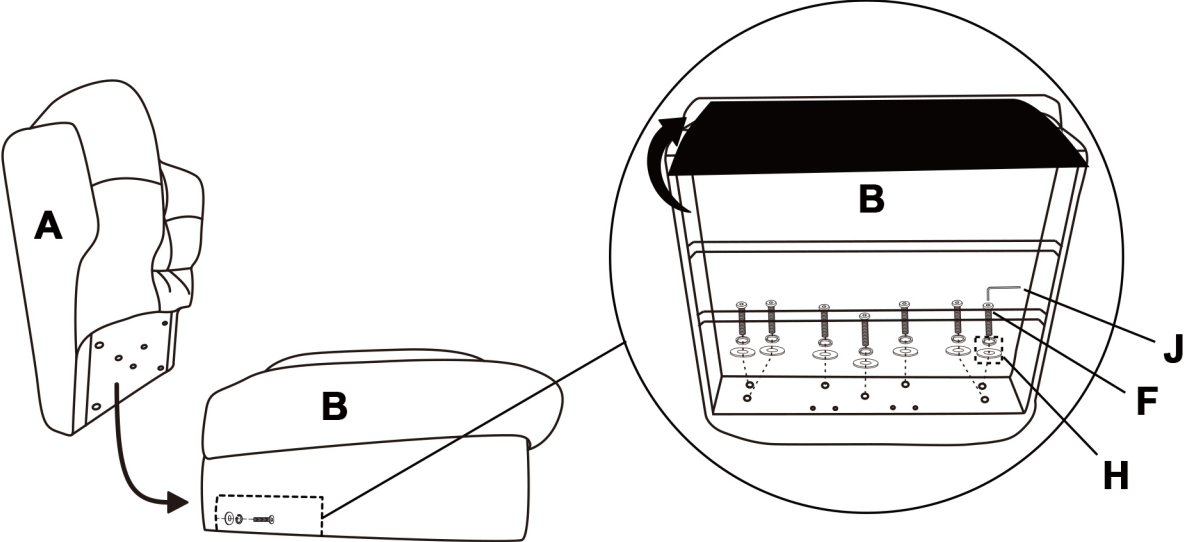


Please remove all protective foam.

Assemble the Chair

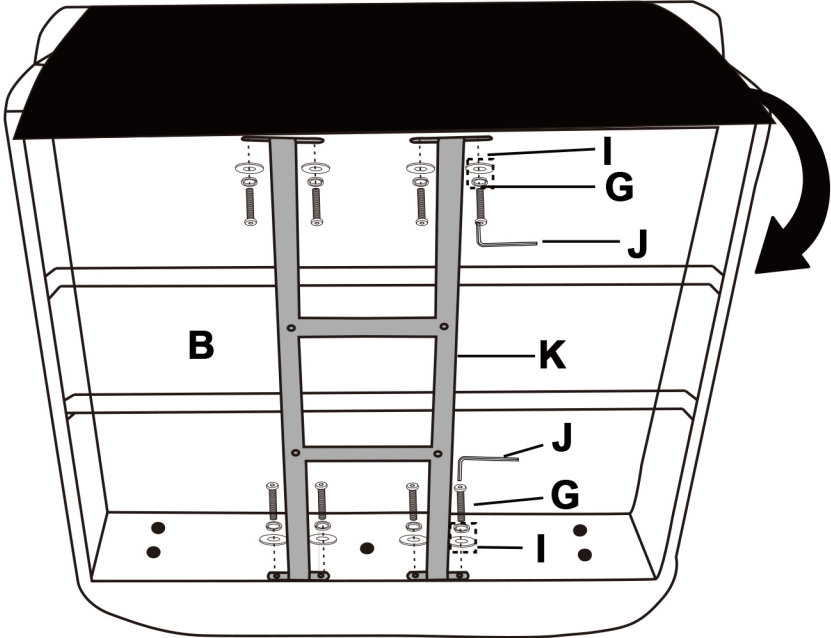
Step 1

Open the fabric on the bottom of the Seat Cushion **#B**, align the screw holes on the side of the Seat Cushion **#B** with those on the Back Cushion **#A**.
Tighten the Screw **#F** & Washer **#H** with Allen Wrench **#J** to connect Seat Cushion **#B** to Back Cushion **#A**.



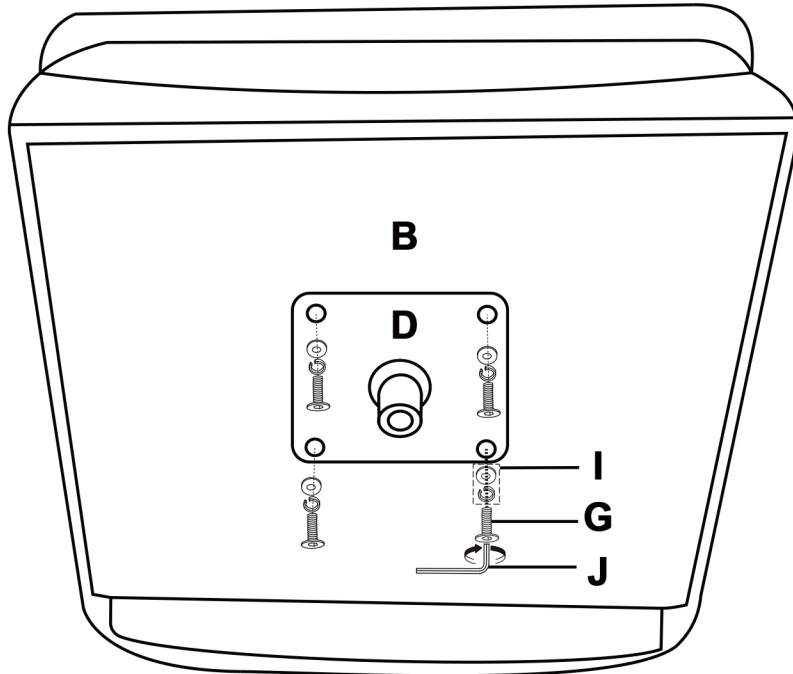
Step 2

Tighten the Screw **#G** & Washer **#I** with Allen Wrench **#J** to connect Iron Frame **#K** to Seat Cushion **#B**.
then apply the bottom fabric Velcro.



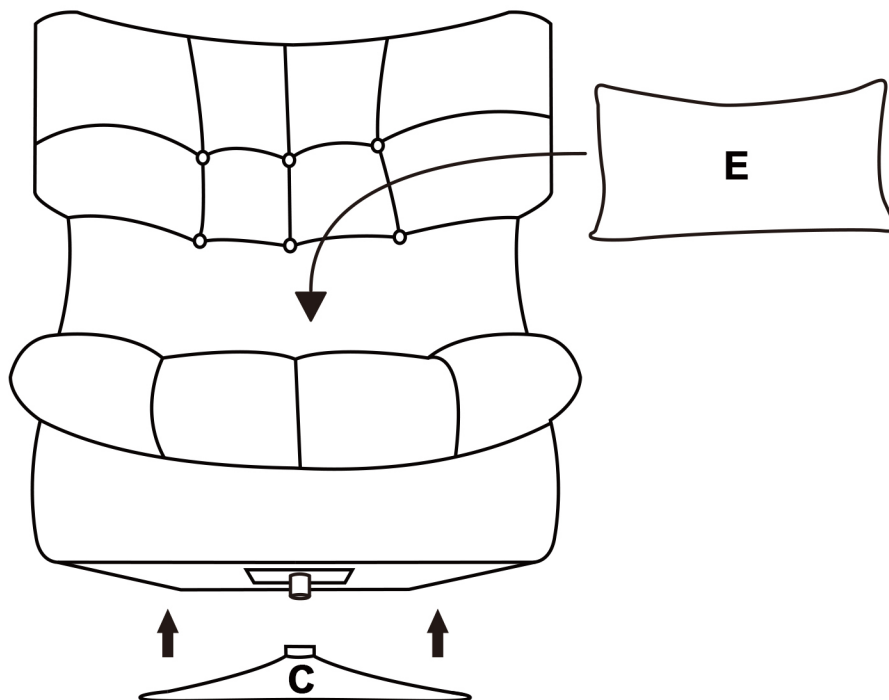
Step 3

Align the screw hole of the Spin Axis **#D** with the screw hole at the bottom of the Seat Cushion **#B**. Tighten the Screw **#G** & Washer **#I** with Allen Wrench **#J** to fix the Spin Axis **#D**.



Step 4

Put the chair with the Spin Axis **#D** on the Round Base **#C**. Put the Lumbar Pillow **#E** on the Seat Cushion **#B**.



Congratulations!

Now you can relax your body on this chair and even decorate your living room.

