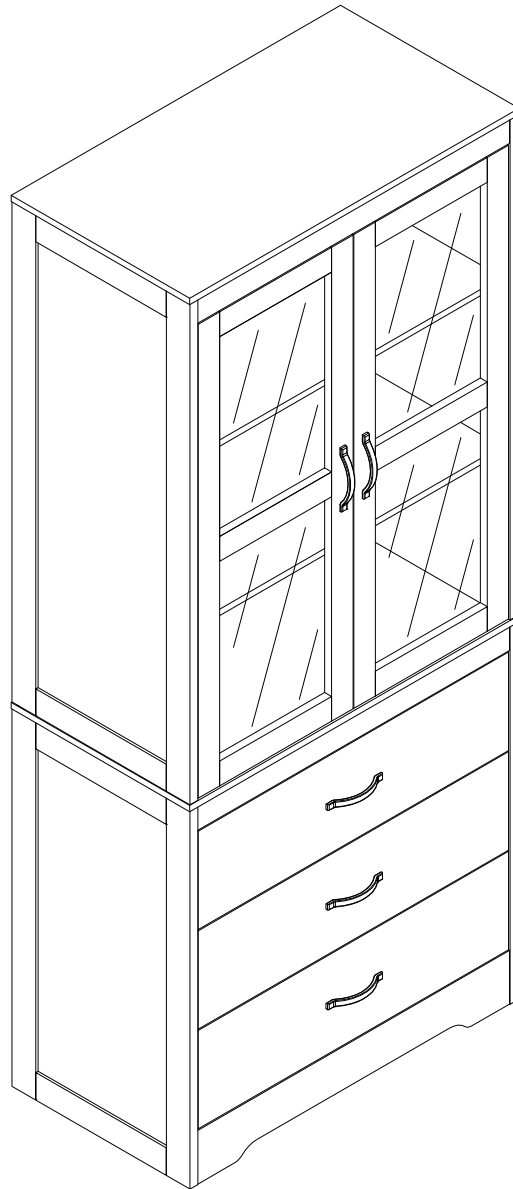


Cabinet > Manual



Thank you for purchase on our products. Please contact us if you have difficulty with assembly or need replacement parts. Our customer service is here to assist you. Please attach your User Name or Order ID so that we can assist you better.

Vielen Dank für Ihren Kauf von uns Produkten. Bitte kontaktieren Sie uns, wenn Sie Probleme mit Montage haben oder Ersatzteile benötigen. Wir Kundenservice ist für Sie da. Bitte geben Sie Ihren Benutzernamen oder Ihre Bestellnummer an, damit wir Sie besser unterstützen können.

EN

WARNING

Serious or fatal injury may occur from unexpected assembly or use.

1. During the assembly process, keep all parts away from babies or children.
2. Always securely fix this product to the wall. Make sure the wall area to be drilled is free from hidden electrical wires, water and gas pipes.
3. Use of tip-over restraints may only reduce, but not eliminate the risk of tip-over.
4. Unless specially designed to accommodate, do not set heavy objects on top of this product.
5. Place the heaviest items on the lowest shelf.
6. Never allow children to climb or bang on drawers, doors or shelves.

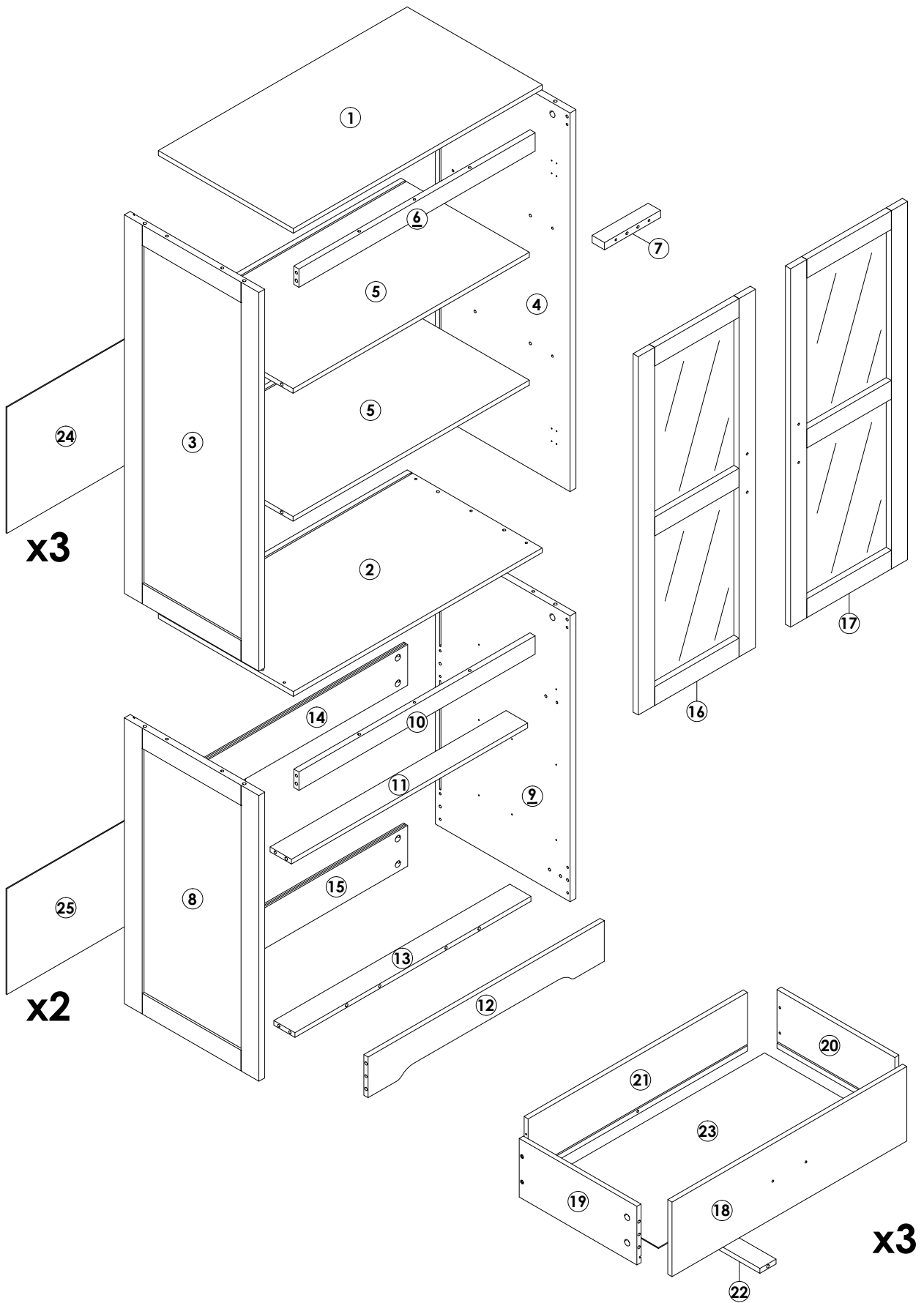
DE

WARNUNG

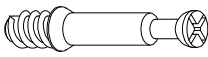

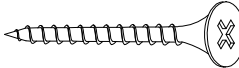

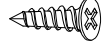
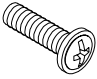
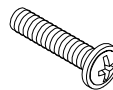
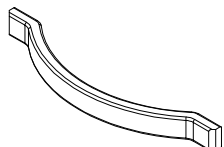
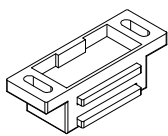
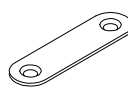

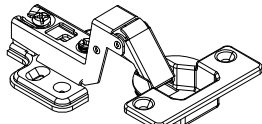
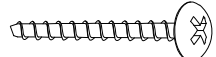
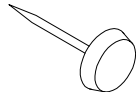

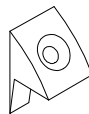
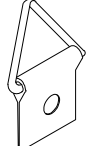
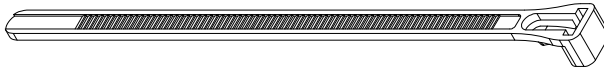
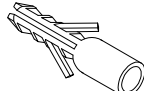
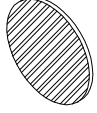
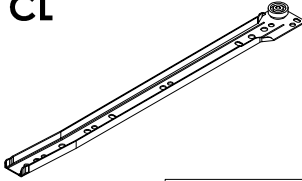
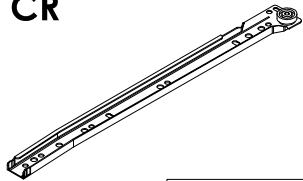
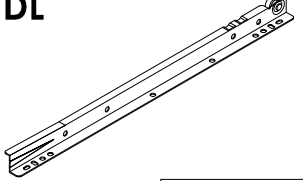
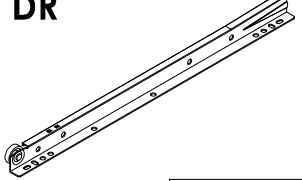
Bei unerwarteter Montage oder Verwendung können schwere oder tödliche Verletzung auftreten.

1. Legen Sie in den Montageprozess alle Teile weg von Babys oder Kindern.
2. Stellen Sie sicher, dass der gebohrte Wandbereich frei von verborgenen Stromkabeln, Wasser- und Gasleitungen ist, wenn Sie dieses Produkt an der Wand befestigen.
3. Die Verwendung von Kippsicherungen kann die Gefahr eines Kippens nur verringern, jedoch nicht beseitigen.
4. Setzen Sie bitte keine schweren Gegenstände auf dieses Produkt, es sei denn, dass das Produkt speziell für die Unterbringung konzipiert wird.
5. Legen Sie bitte die schwersten Gegenstände auf das unterste Regal.
6. Erlauben Sie nie Kindern, auf Schubladen, Türen oder Regale zu klettern oder zu knallen.

Parts List(EN) / Teile Liste(DE)

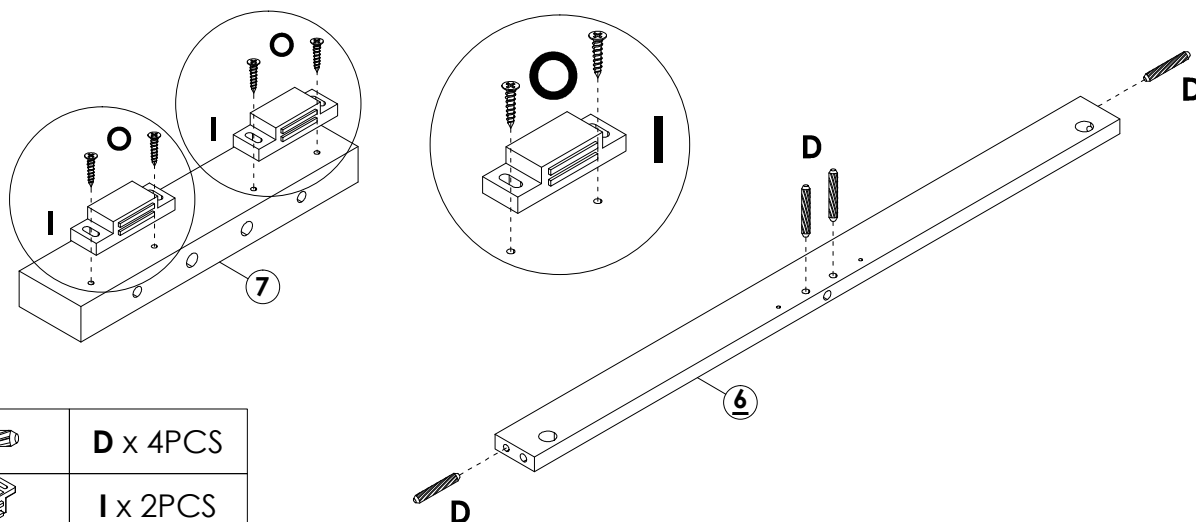



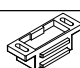
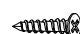
Parts List(EN) / Teile Liste(DE)

<p>A</p>  <p>M6x35mm 53+2PCS</p>	<p>B</p>  <p>Ø15x9mm 53+2PCS</p>	<p>C</p>  <p>M4x40mm 23+2PCS</p>	<p>D</p>  <p>Ø6x30mm 48+2PCS</p>
<p>E</p>  <p>M3x12mm 40+2PCS</p>	<p>F</p>  <p>M4x12mm 6PCS</p>	<p>G</p>  <p>M4x14mm 4PCS</p>	<p>H</p>  <p>96mm 5PCS</p>
<p>I</p>  <p>2PCS</p>	<p>J</p>  <p>2PCS</p>	<p>K</p>  <p>M3.5x12mm 24+2PCS</p>	<p>L</p>  <p>Ø35mm 4PCS</p>
<p>M</p>  <p>M4x35mm 4PCS</p>	<p>N</p>  <p>8+1PCS</p>	<p>O</p>  <p>M3x14mm 26+2PCS</p>	<p>P</p>  <p>20+2PCS</p>
<p>Q</p>  <p>4PCS</p>	<p>R</p>  <p>2PCS</p>		<p>S</p>  <p>M6x30mm 2PCS</p>
<p>T</p>  <p>Ø20mm 5PCS</p>			
<p>CL</p>  <p>L350mm 3PCS</p>	<p>CR</p>  <p>L350mm 3PCS</p>	<p>DL</p>  <p>L350mm 3PCS</p>	<p>DR</p>  <p>L350mm 3PCS</p>

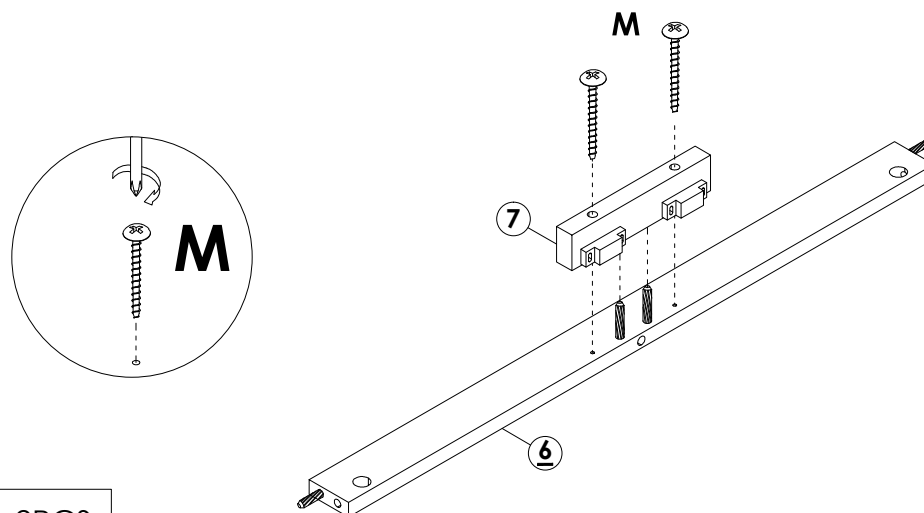
Assembly Steps(EN) / Montageschritte(DE)

STEP 1



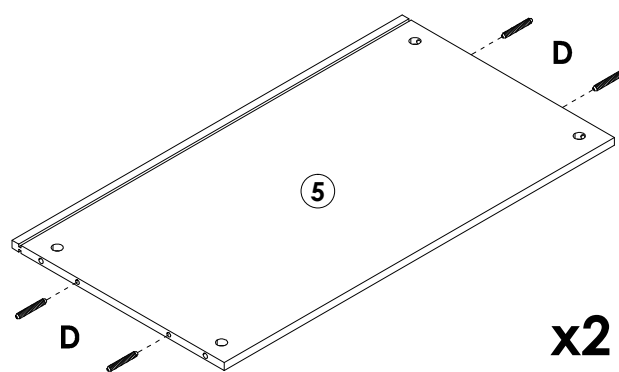
	D x 4PCS
	I x 2PCS
	O x 4PCS


STEP 2



	M x 2PCS
---	-----------------

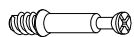
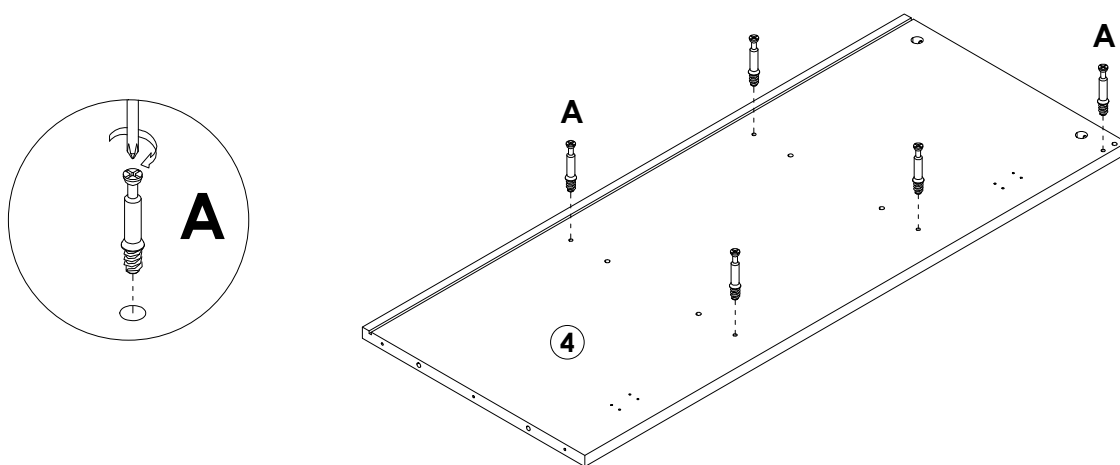
STEP 3



	D x 8PCS
---	-----------------

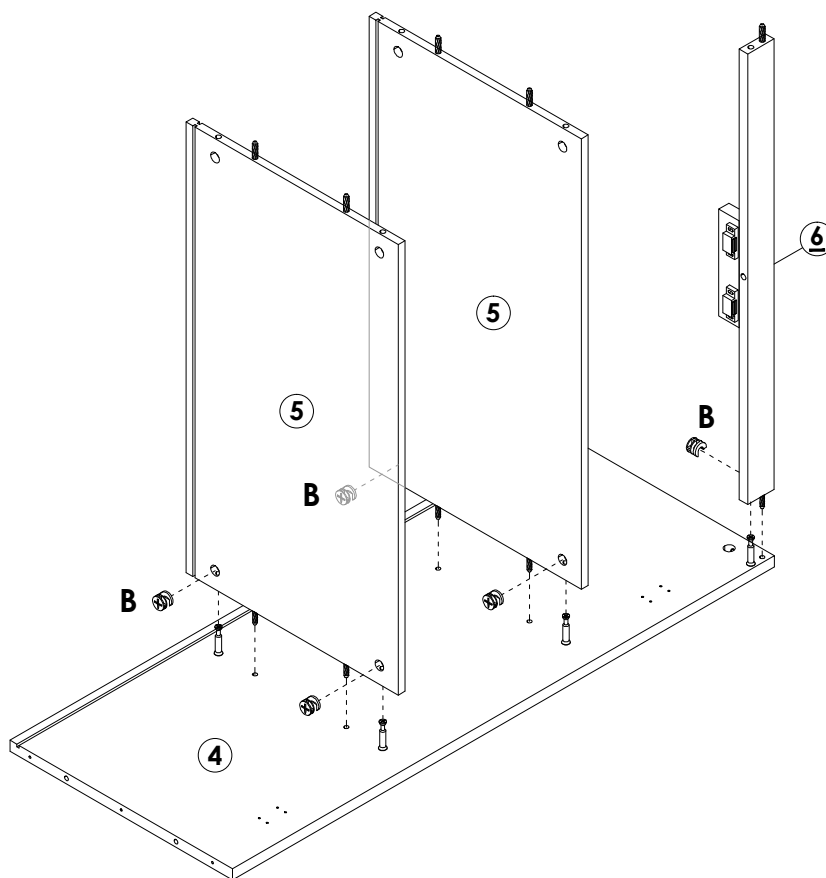
Assembly Steps(EN) / Montageschritte(DE)

STEP 4

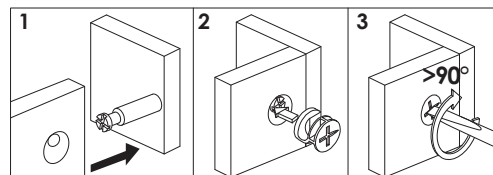


A x 5PCS

STEP 5

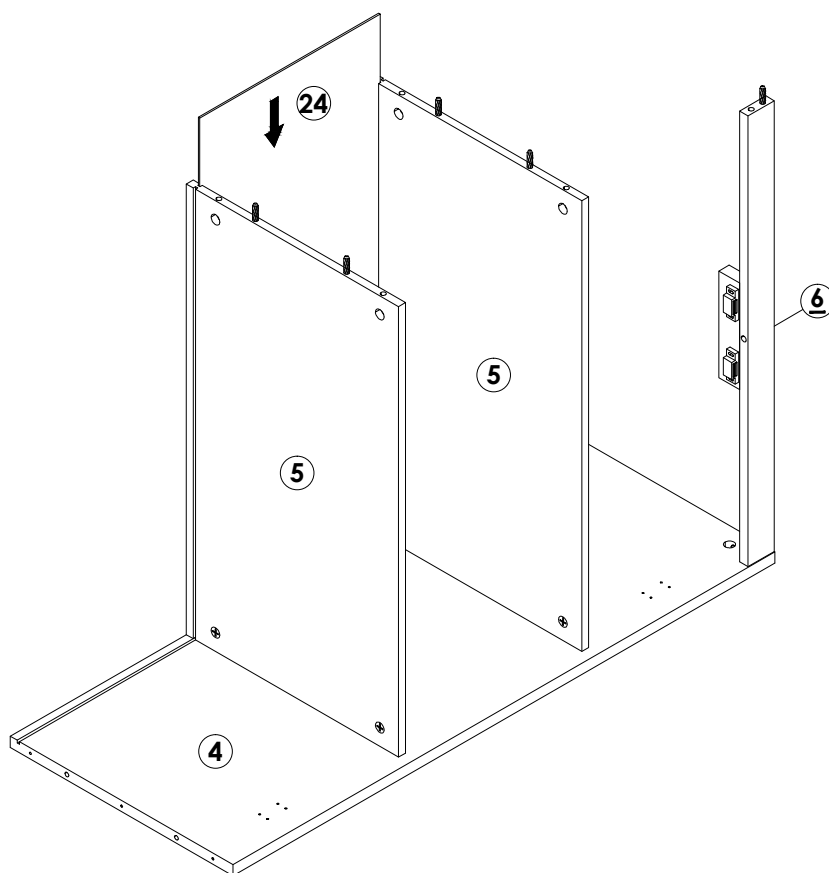


B x 5PCS

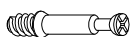
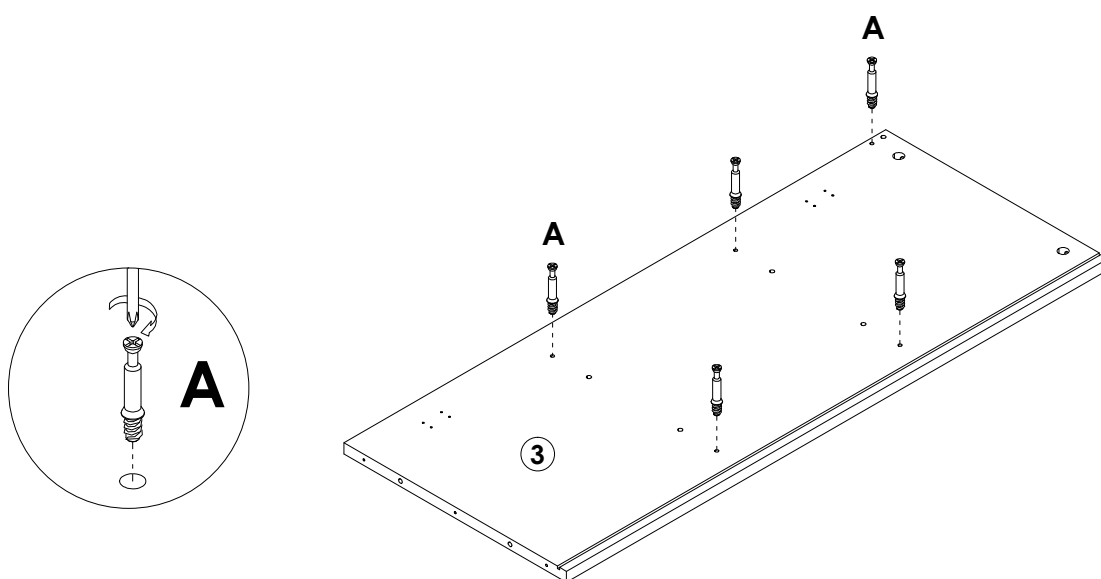


Assembly Steps(EN) / Montageschritte(DE)

STEP 6



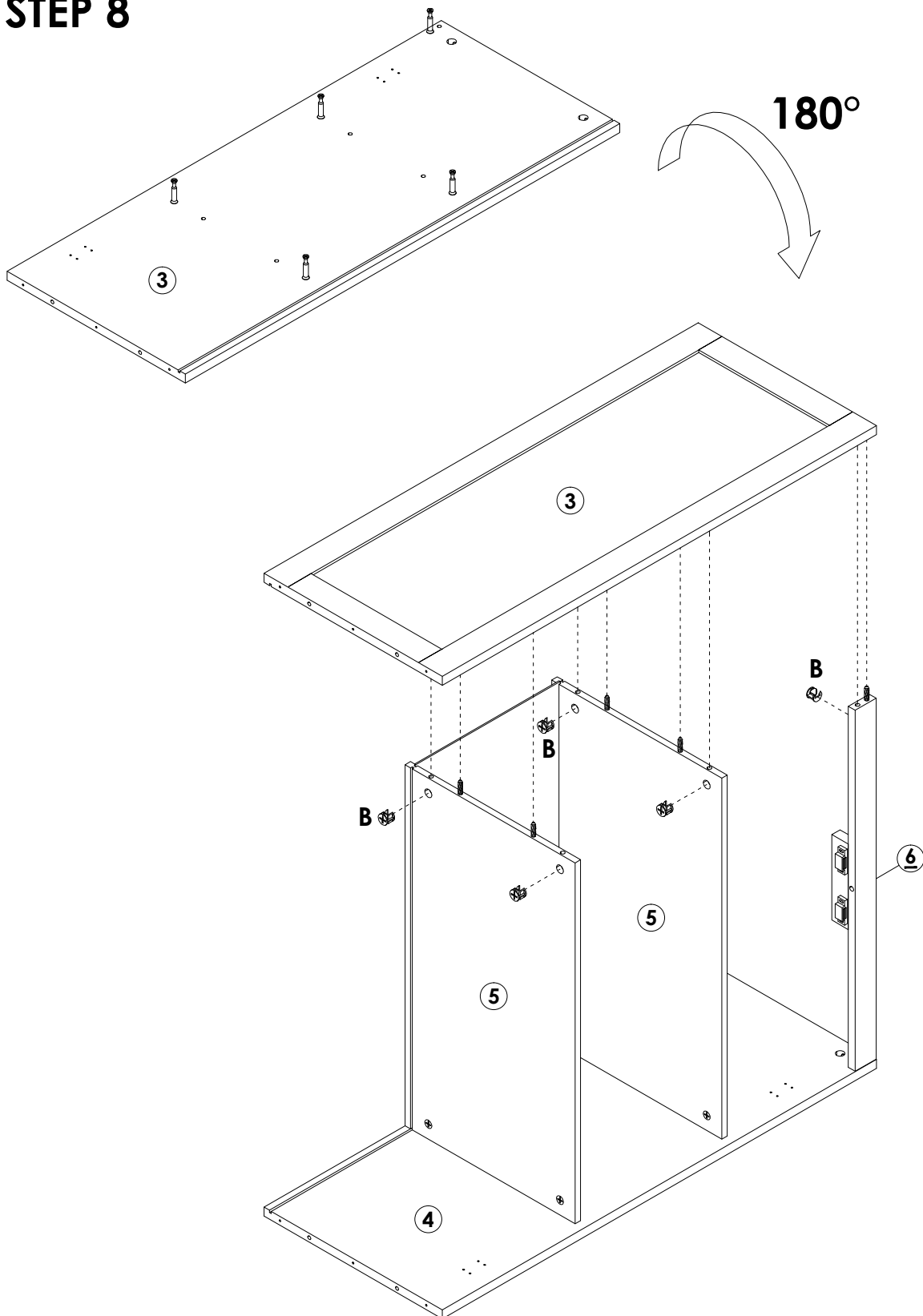
STEP 7



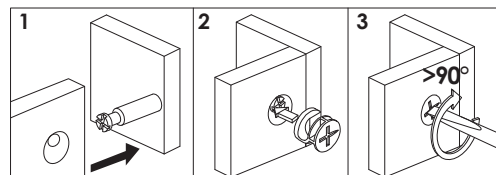
A x 5PCS

Assembly Steps(EN) / Montageschritte(DE)

STEP 8

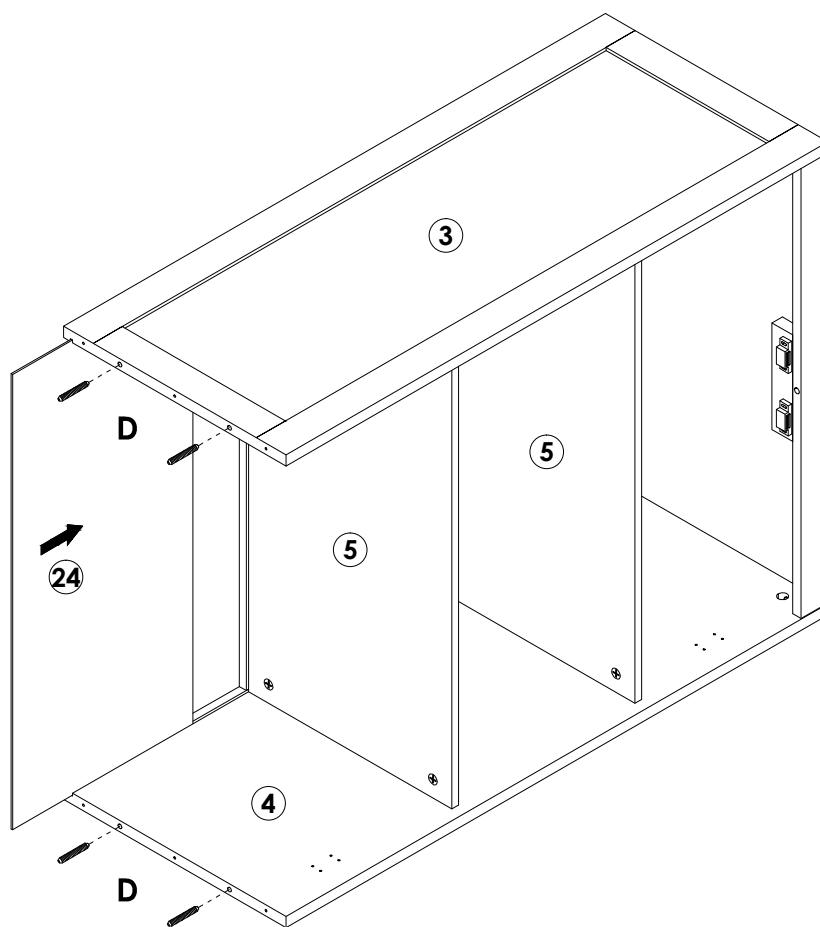


B x 5PCS



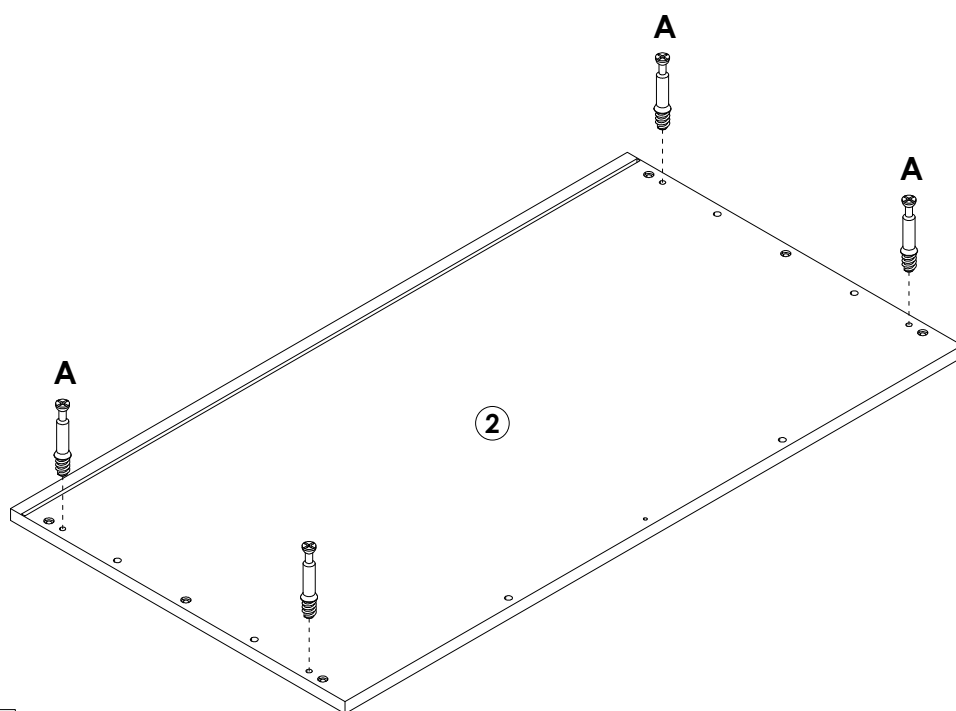
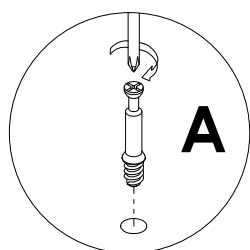
Assembly Steps(EN) / Montageschritte(DE)

STEP 9



D x 4PCS

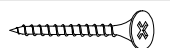
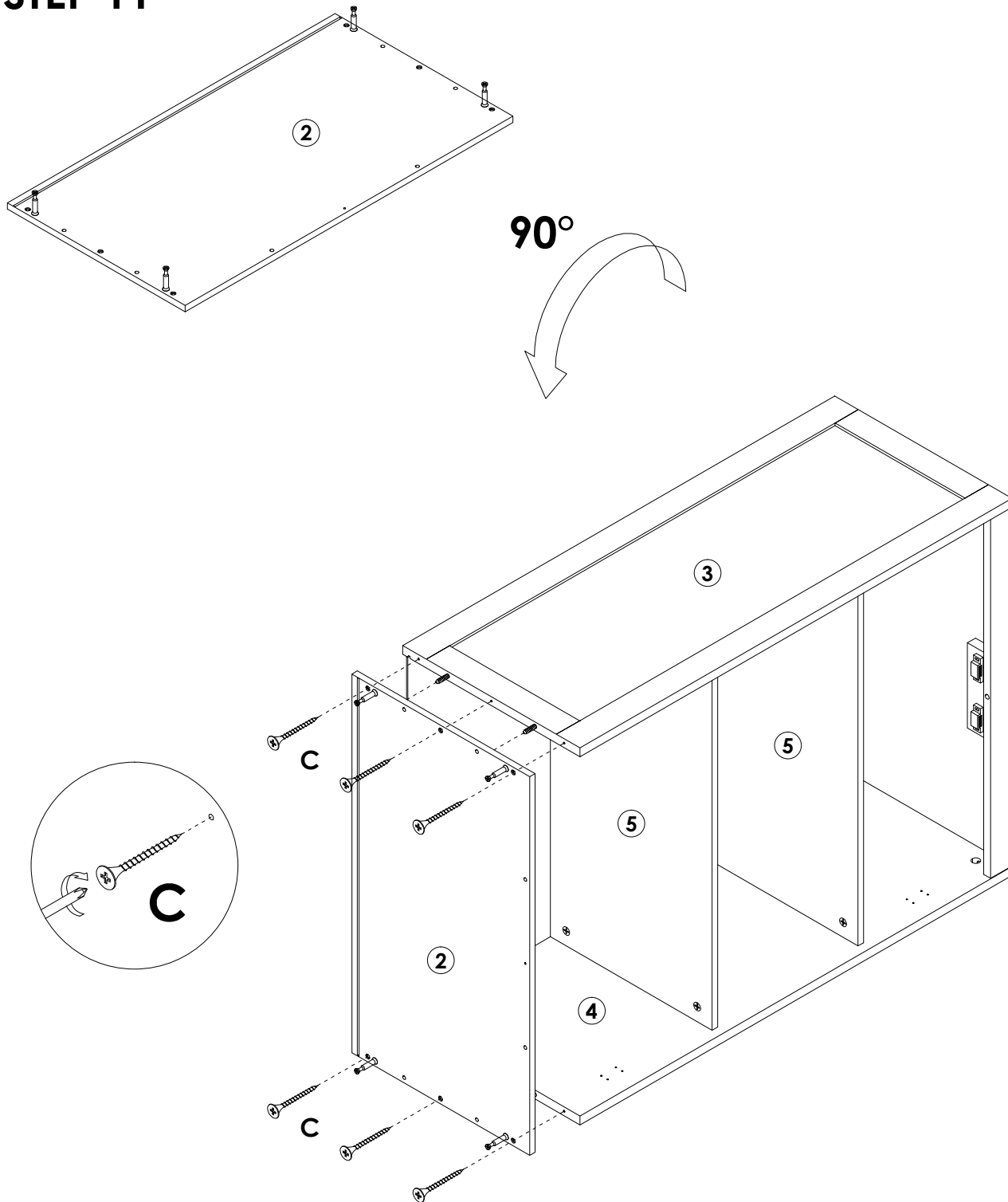
STEP 10



A x 4PCS

Assembly Steps(EN) / Montageschritte(DE)

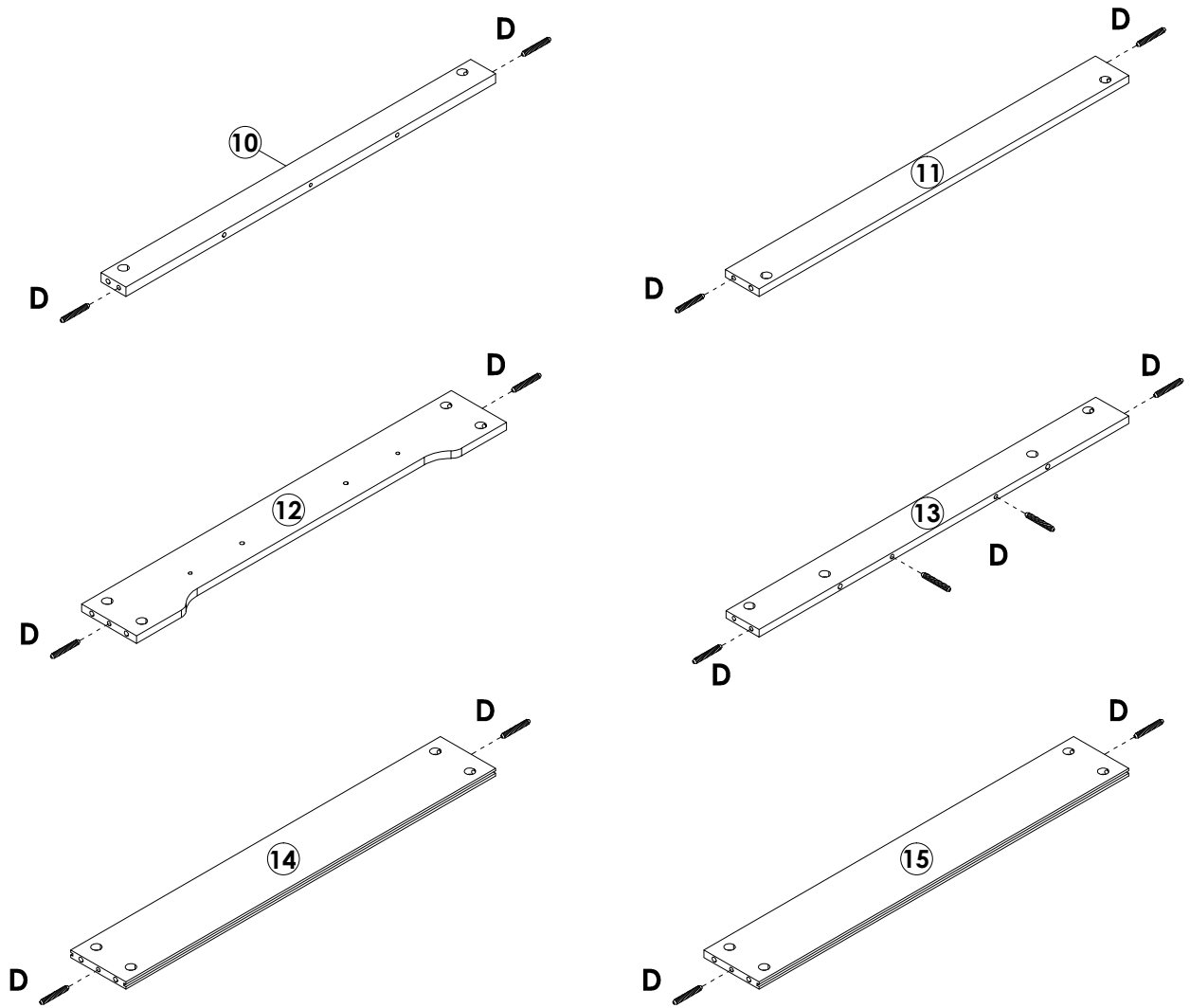
STEP 11




C x 6PCS

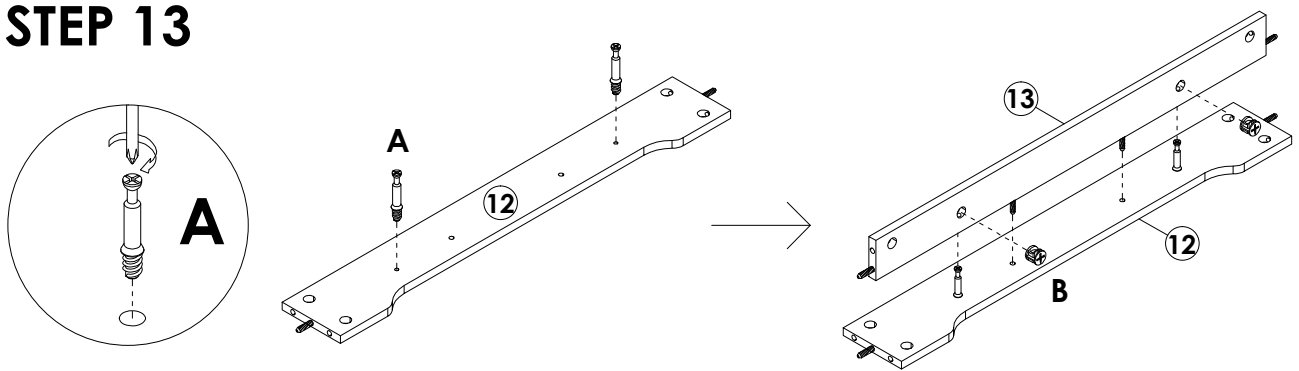
Assembly Steps(EN) / Montageschritte(DE)

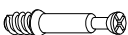

STEP 12

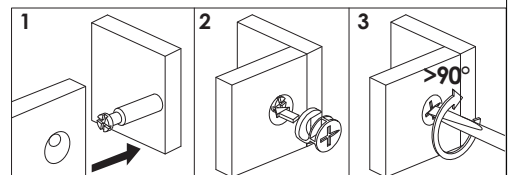


	D x 14PCS
---	-----------

STEP 13

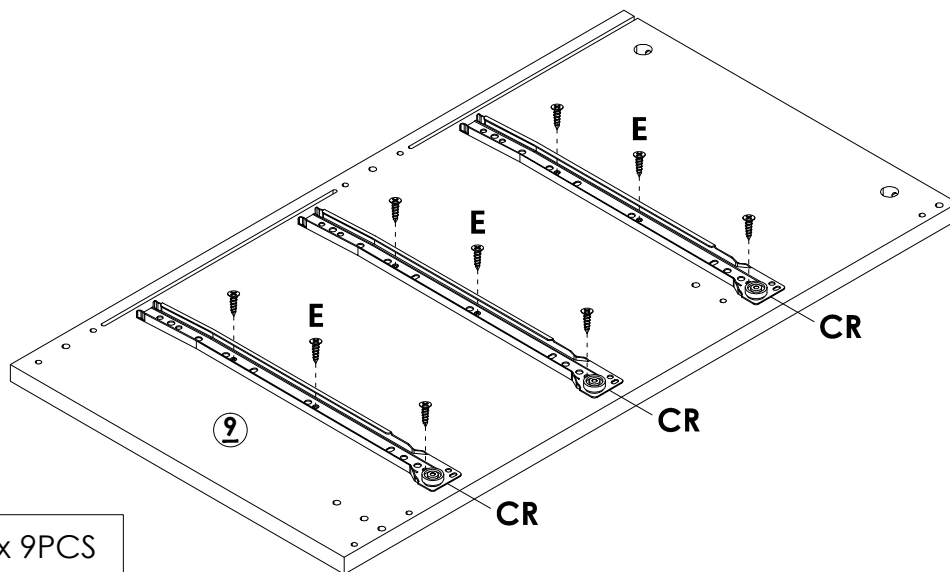
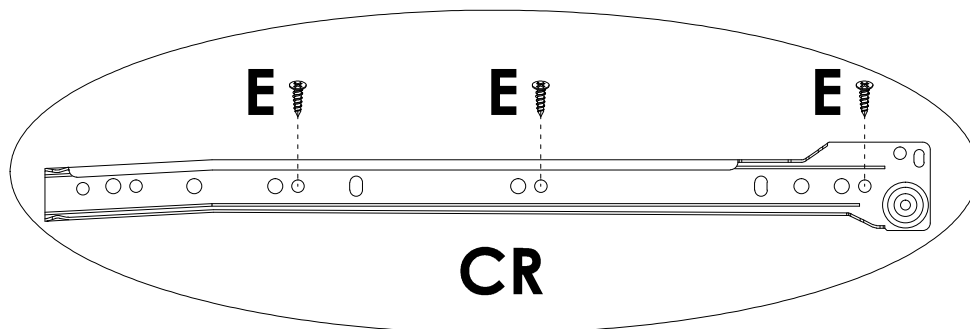




	A x 2PCS
	B x 2PCS



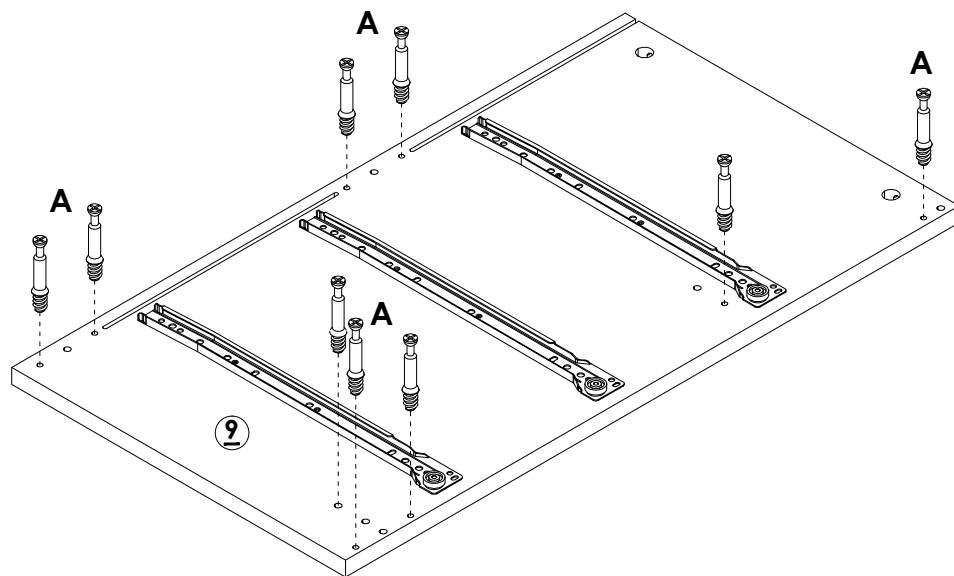
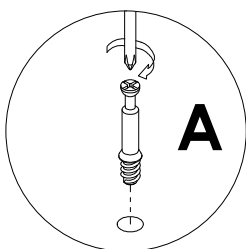
Assembly Steps(EN) / Montageschritte(DE)

STEP 14



	E x 9PCS
	CR x 3PCS

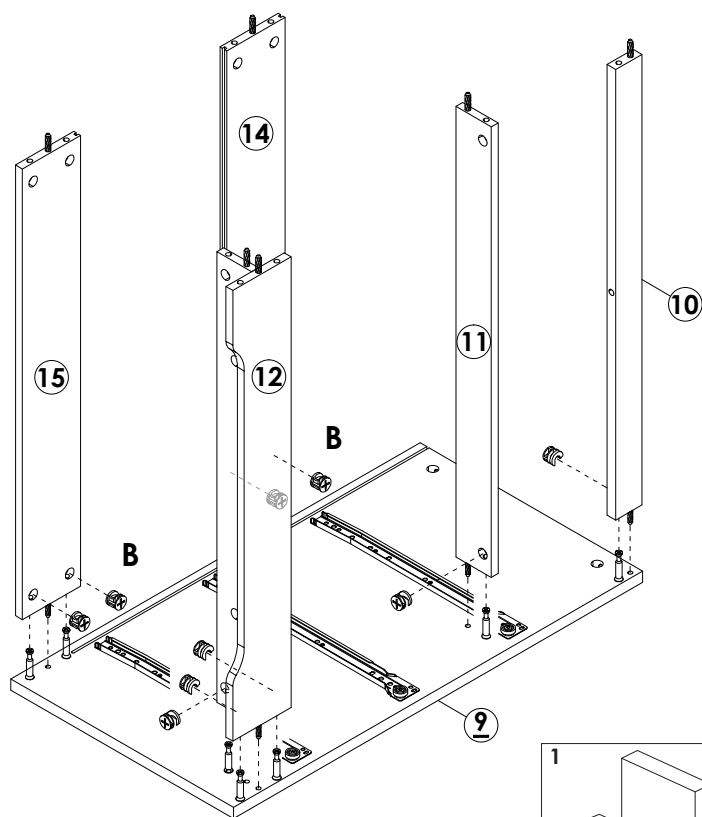
STEP 15



	A x 9PCS
---	----------

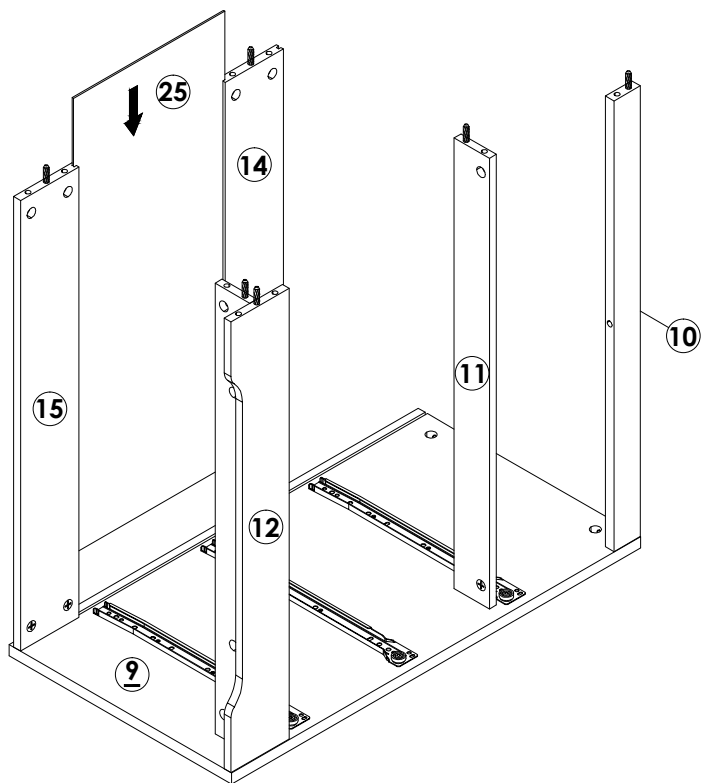
Assembly Steps(EN) / Montageschritte(DE)

STEP 16



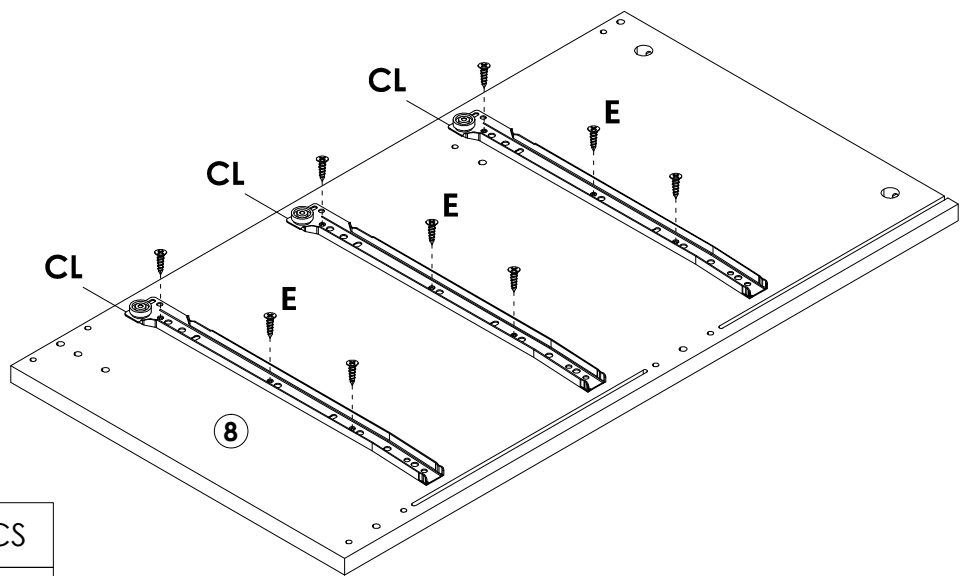
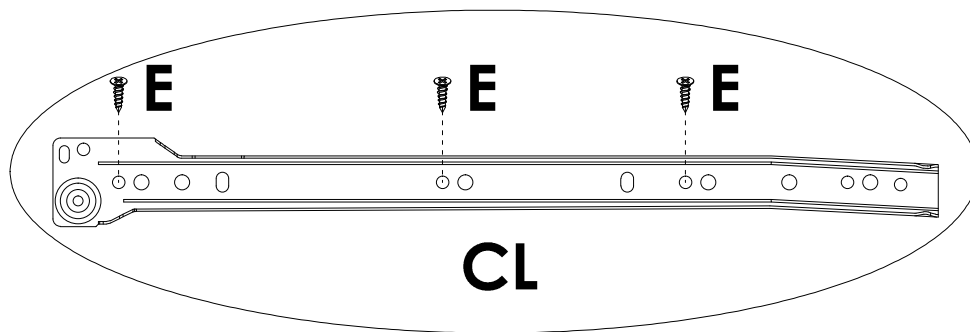
B x 9PCS



STEP 17



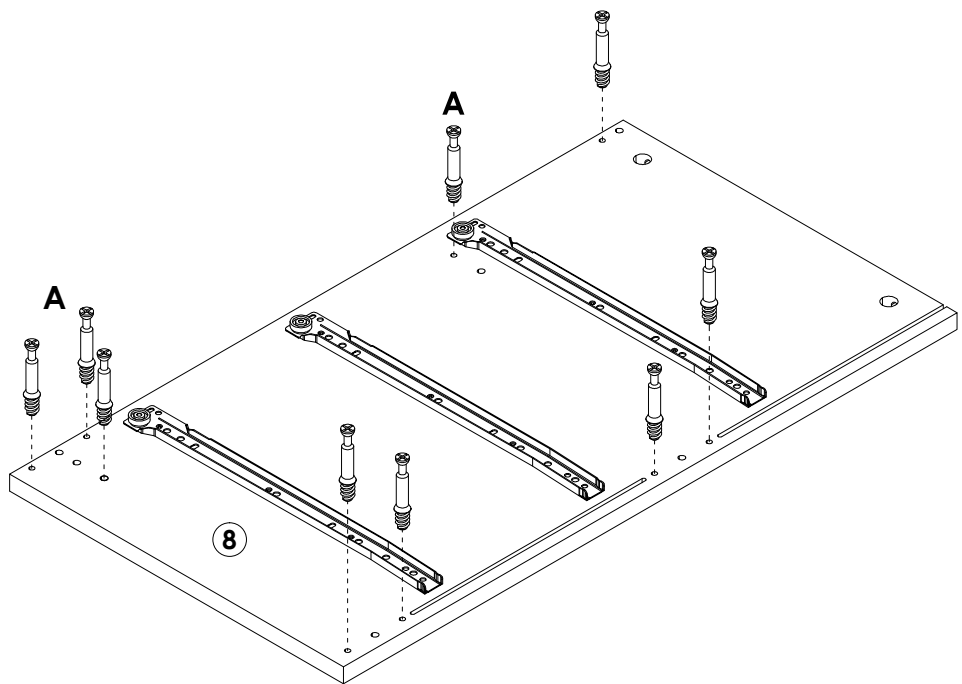
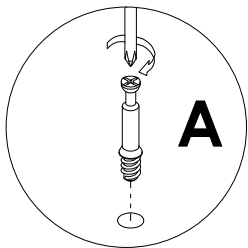
Assembly Steps(EN) / Montageschritte(DE)

STEP 18



	E x 9PCS
	CL x 3PCS

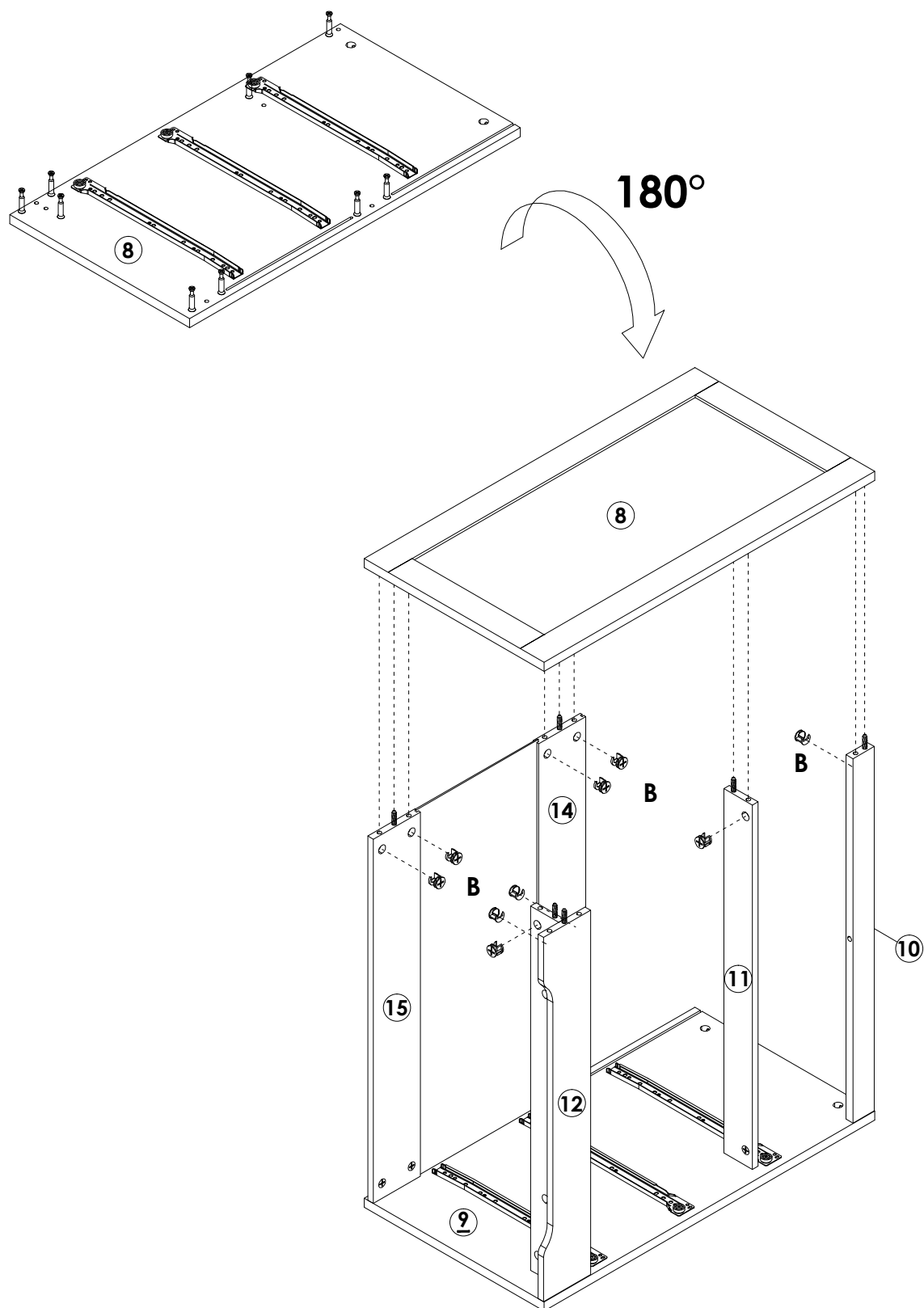
STEP 19



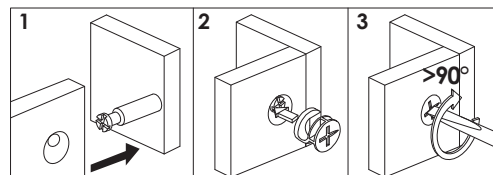
	A x 9PCS
---	----------

Assembly Steps(EN) / Montageschritte(DE)

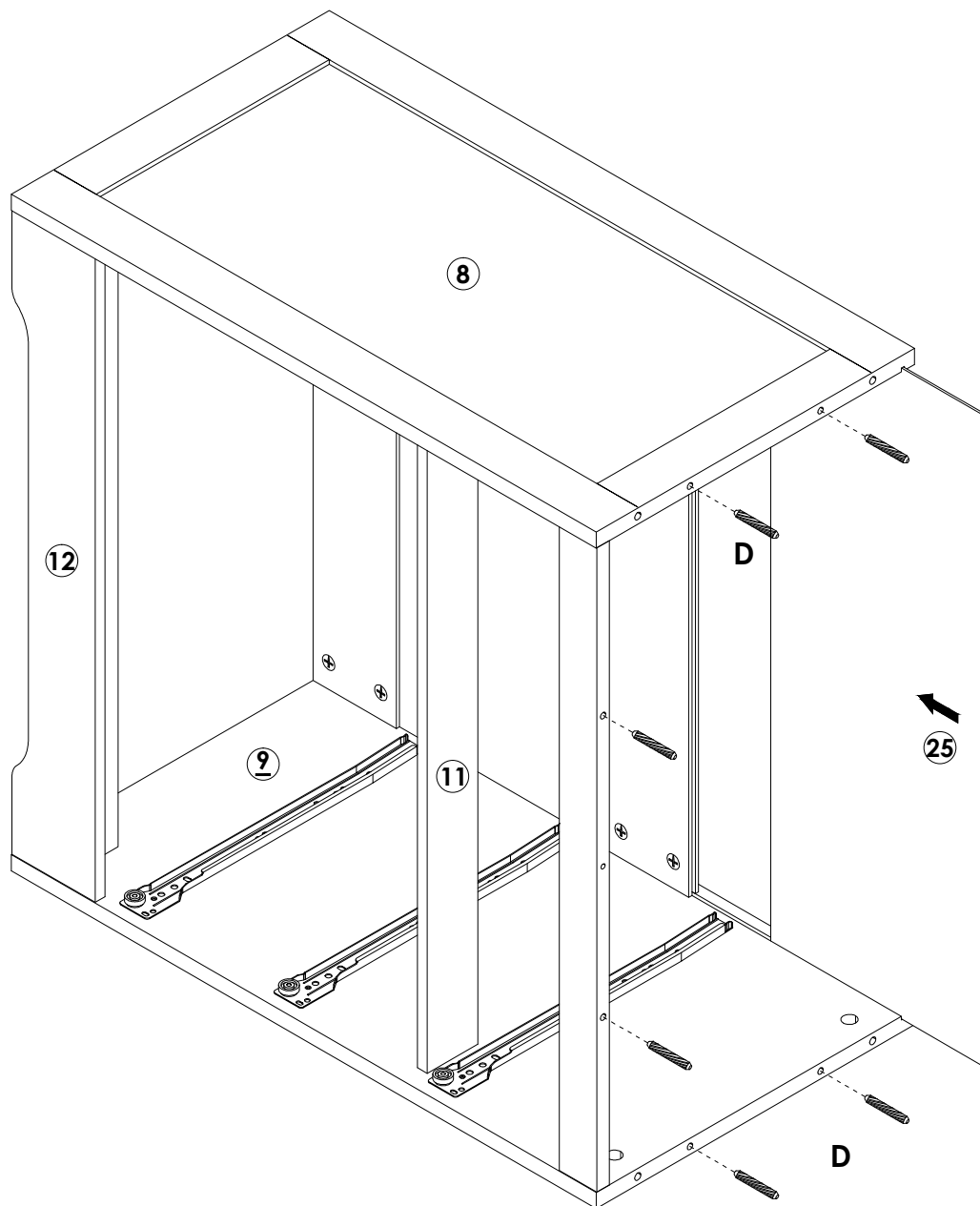
STEP 20



B x 9PCS

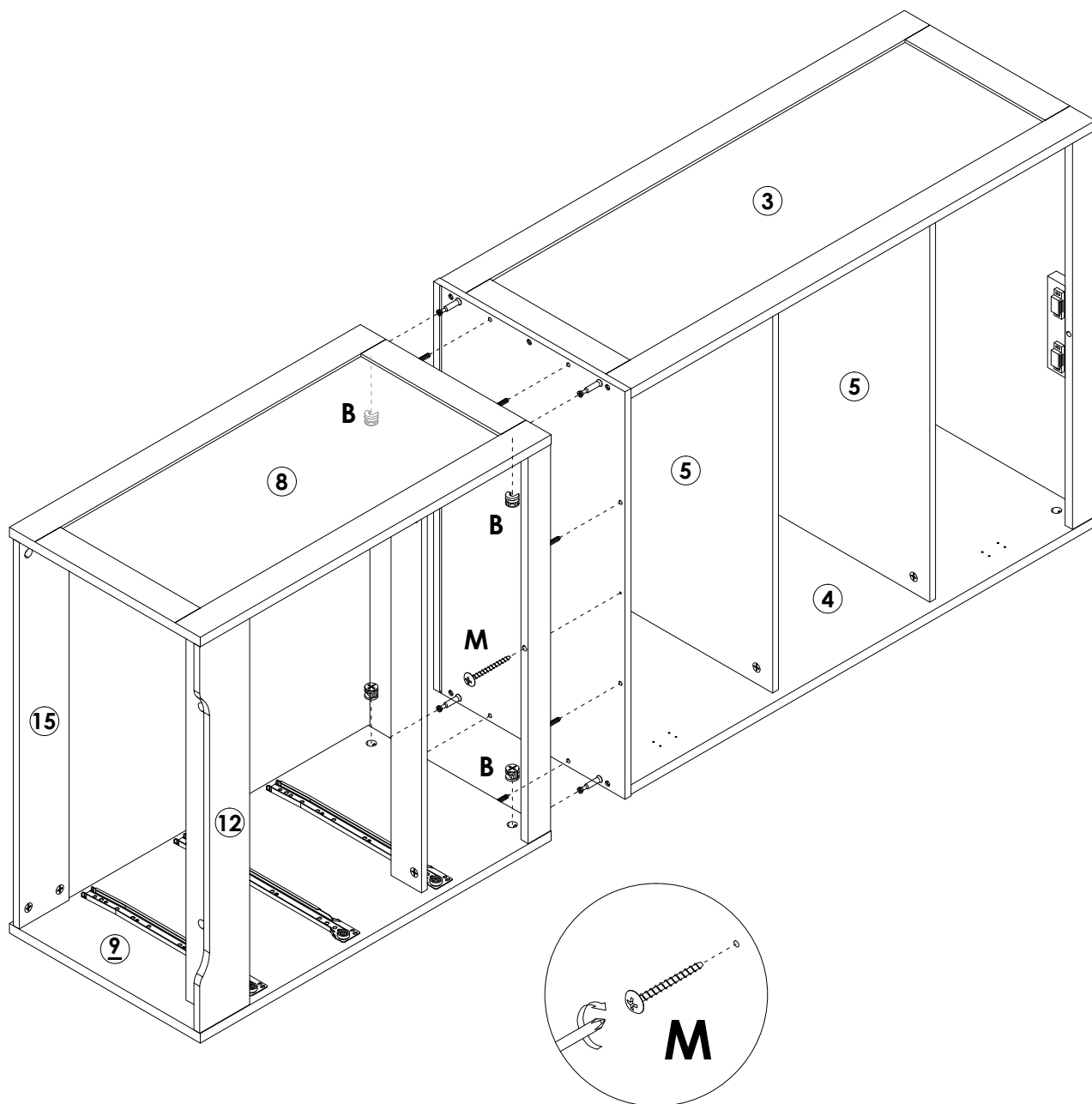



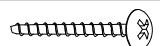
STEP 21

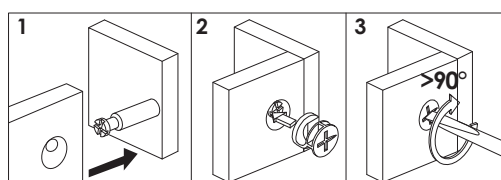


D x 6PCS

STEP 22

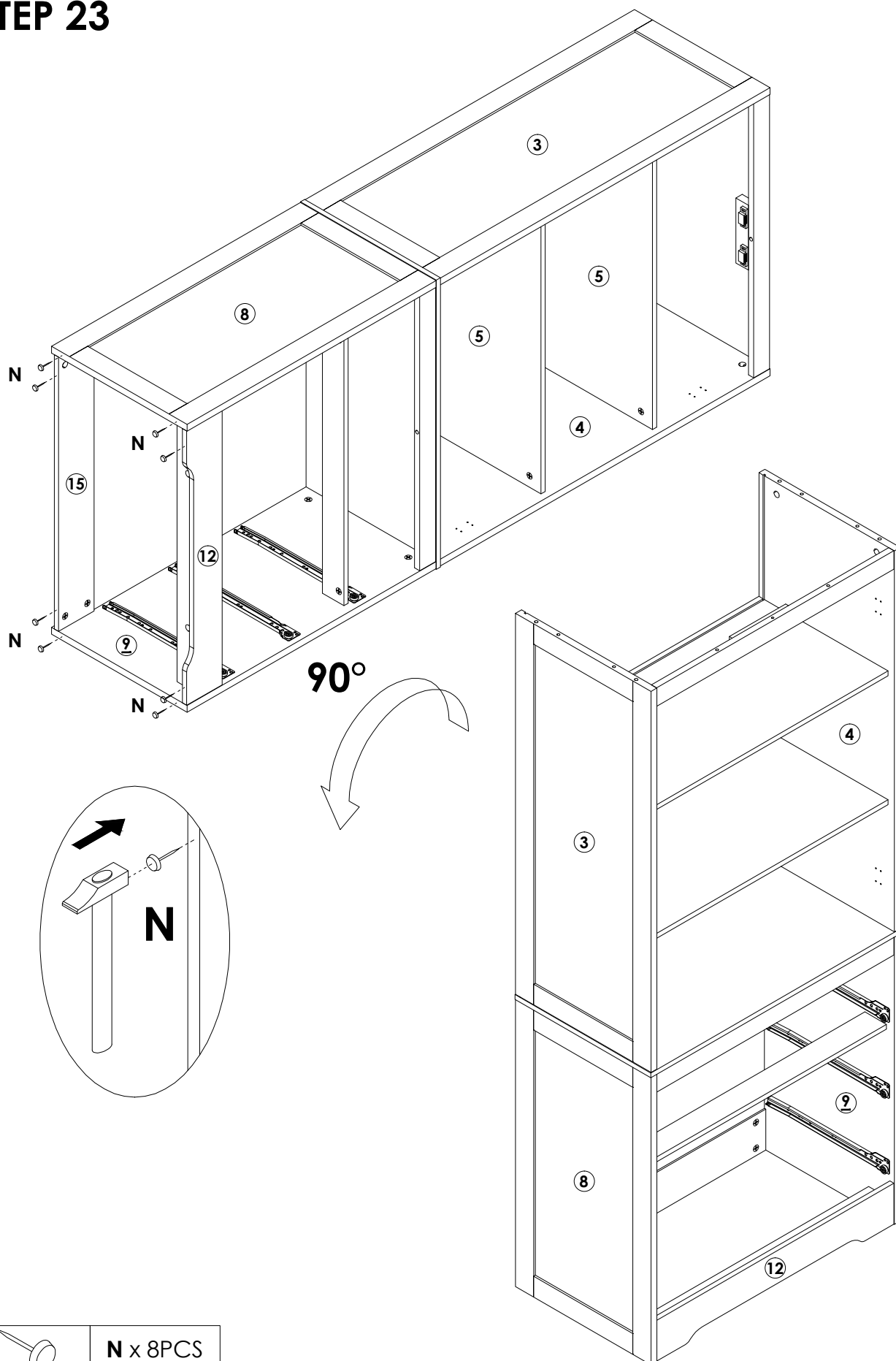


	B x 4PCS
	M x 1PC

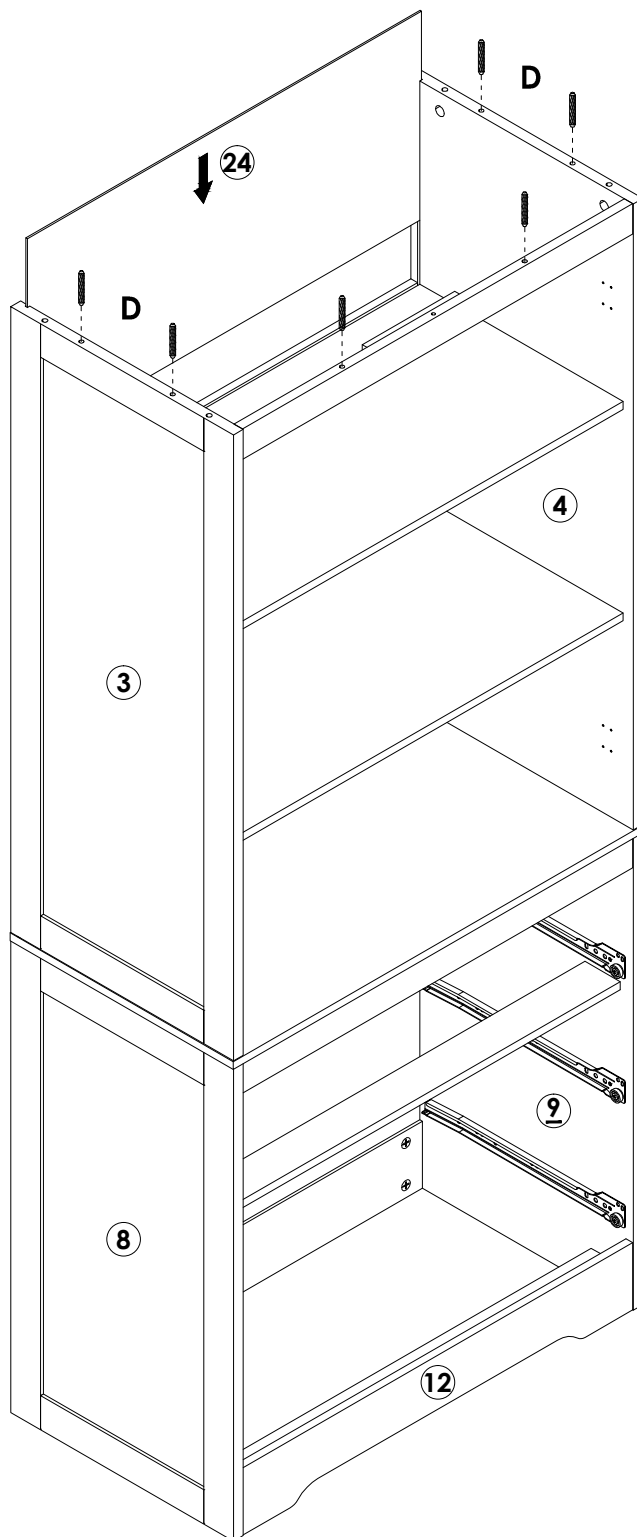


Assembly Steps(EN) / Montageschritte(DE)

STEP 23



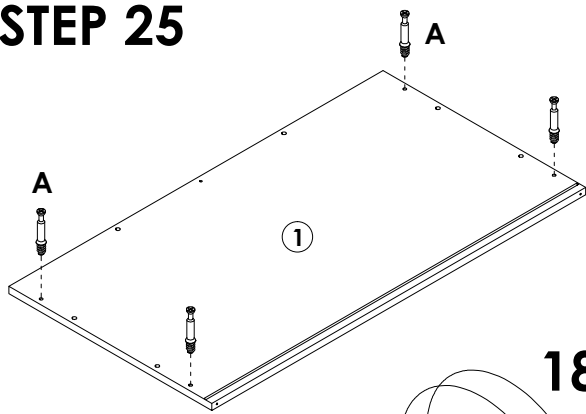
STEP 24



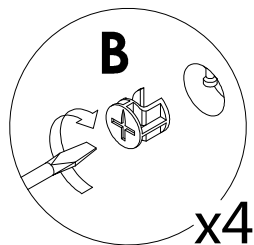
D x 6PCS

Assembly Steps(EN) / Montageschritte(DE)

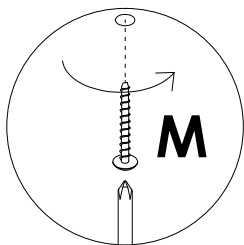
STEP 25



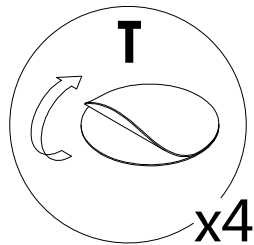
180°



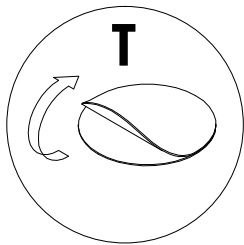
x4



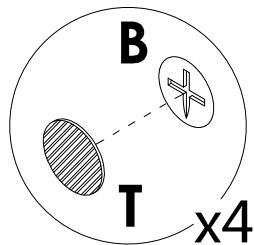
M



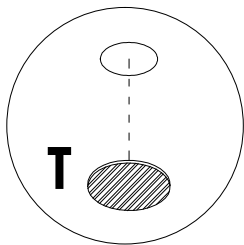
x4



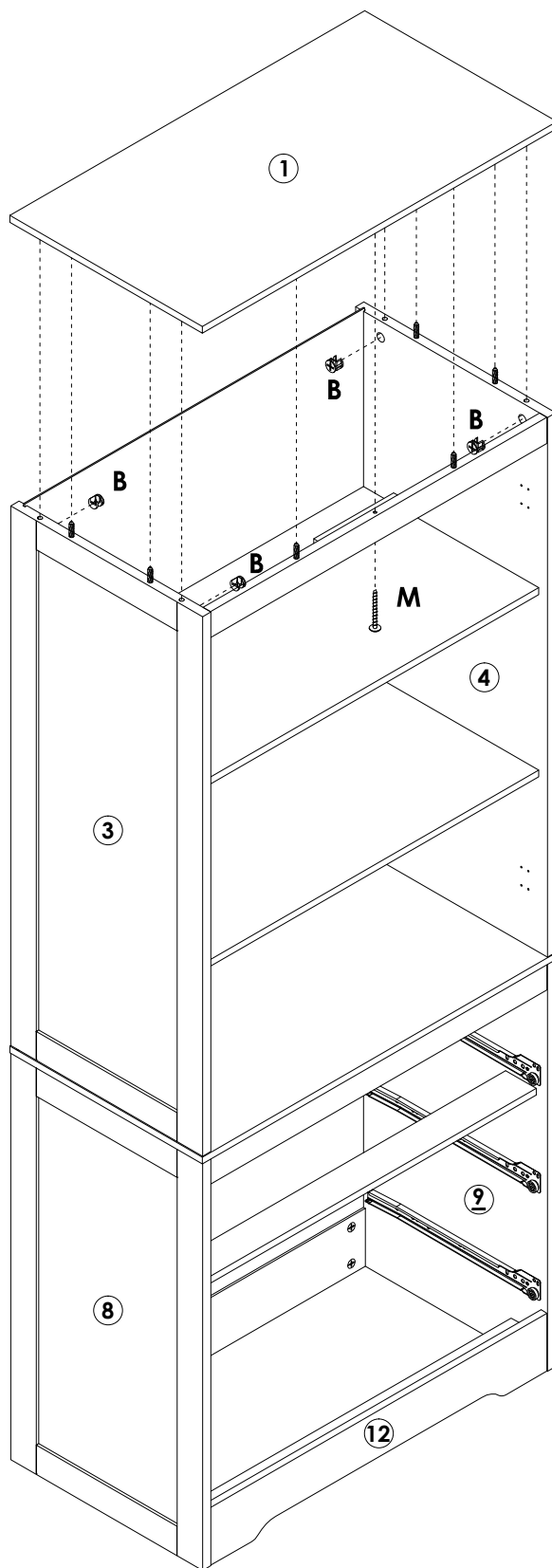
T

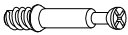

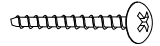



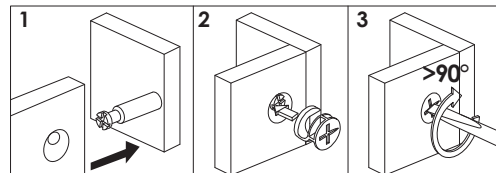
x4



T

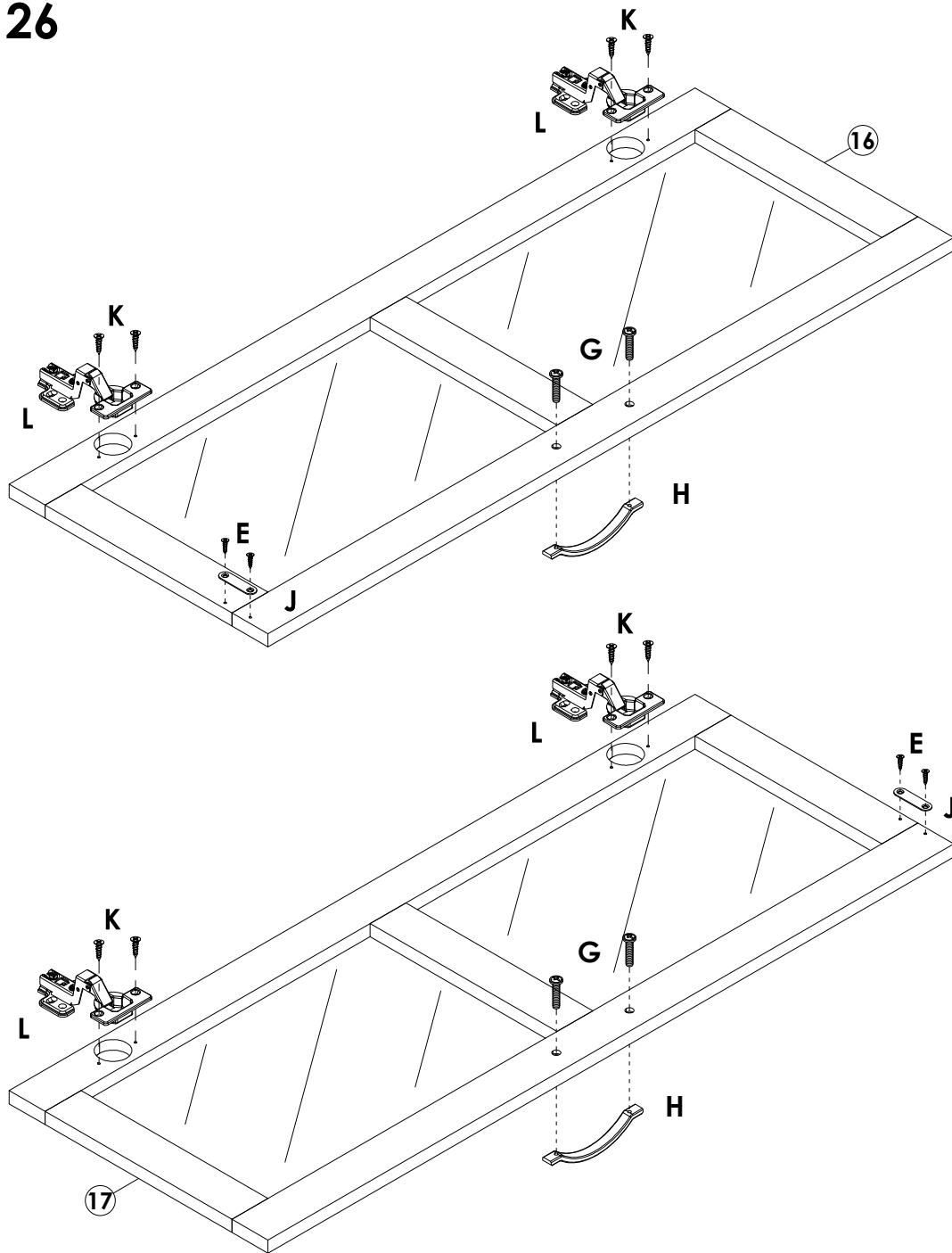


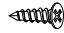





	A x 4PCS
	B x 4PCS
	M x 1PC
	T x 5PCS

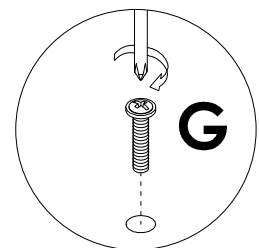
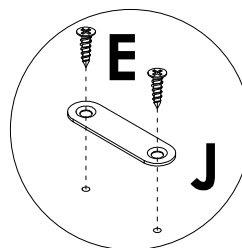
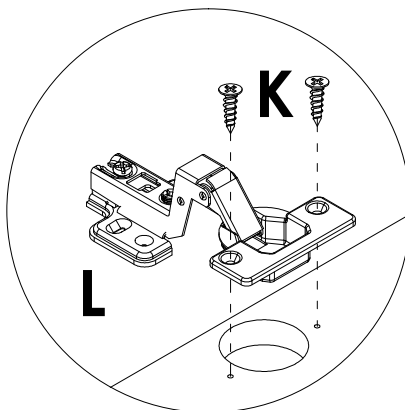


Assembly Steps(EN) / Montageschritte(DE)

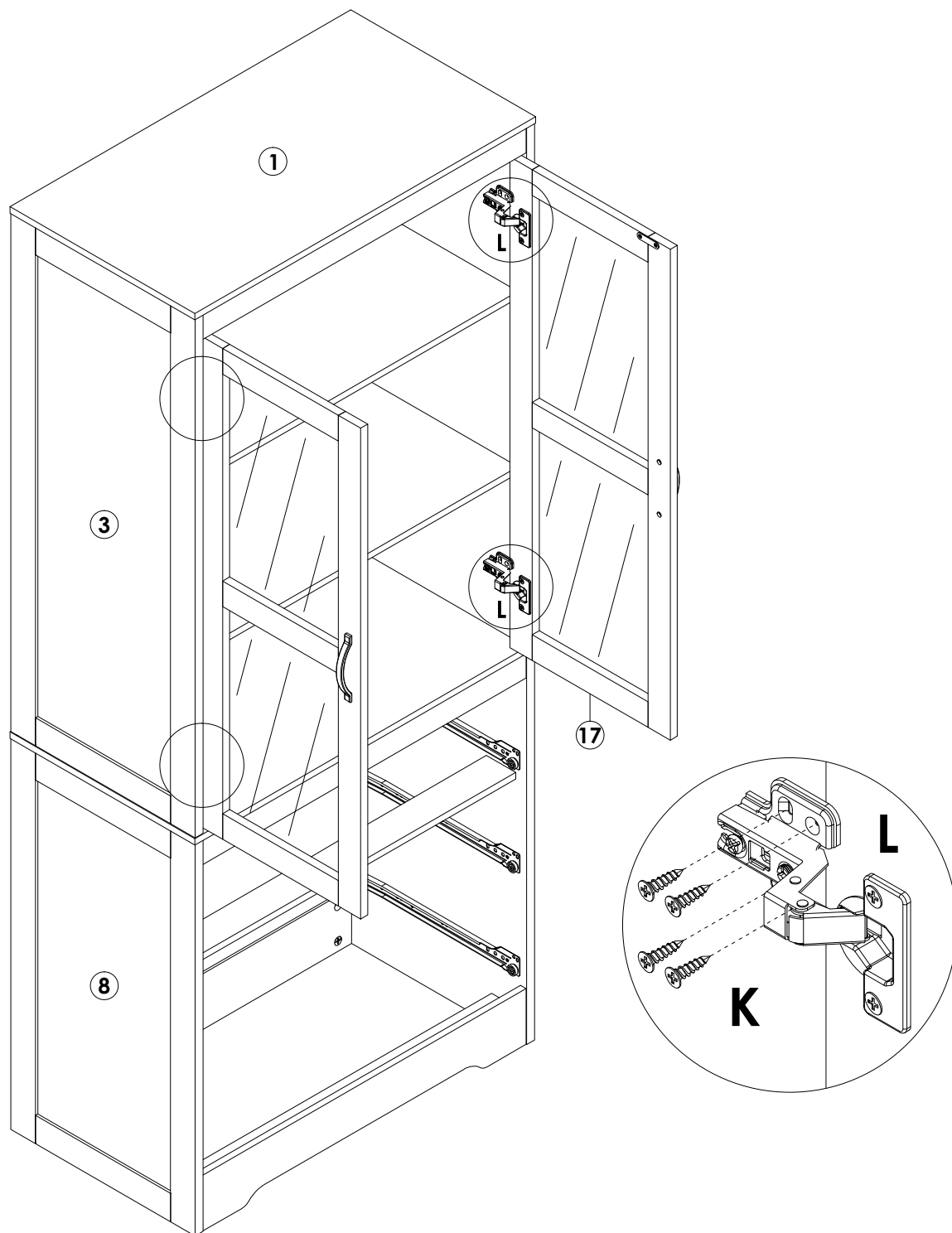
STEP 26



	E x 4PCS
	G x 4PCS
	H x 2PCS
	J x 2PCS
	K x 8PCS
	L x 4PCS



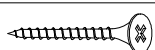
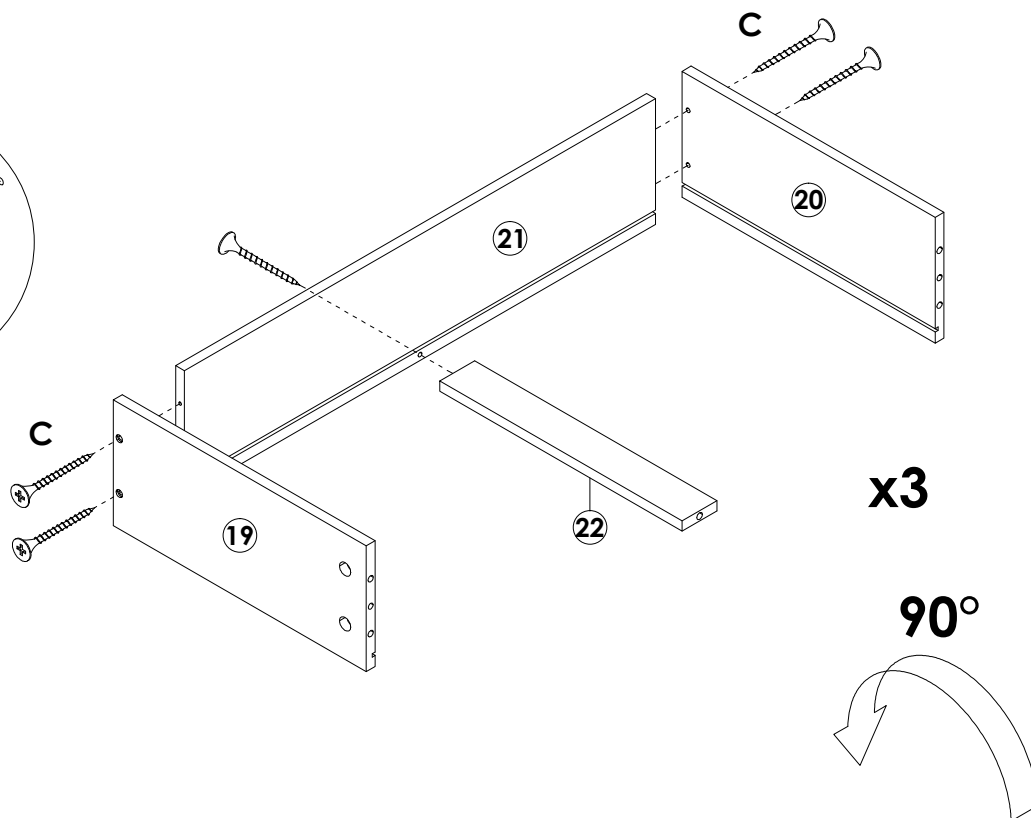
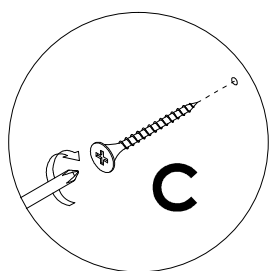
STEP 27



K x 16PCS

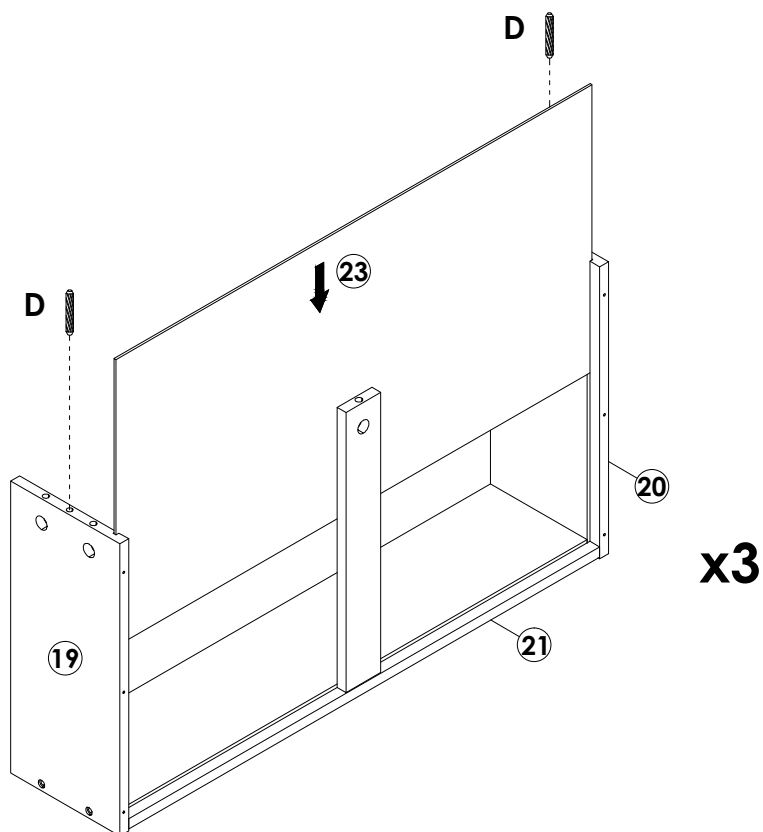
Assembly Steps(EN) / Montageschritte(DE)

STEP 28



C x 15PCS

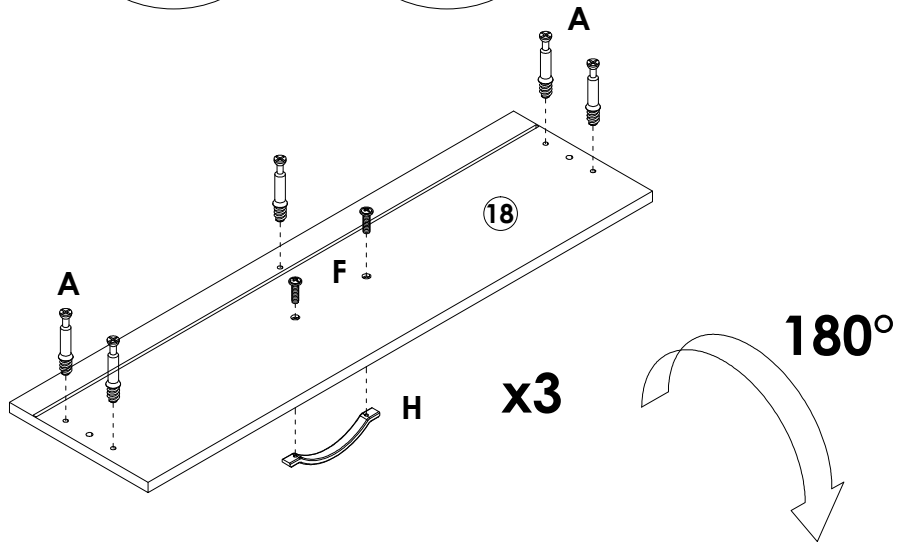
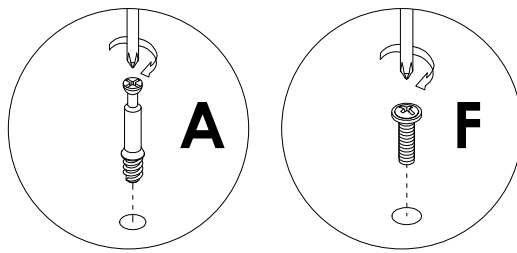
STEP 29

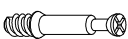




D x 6PCS

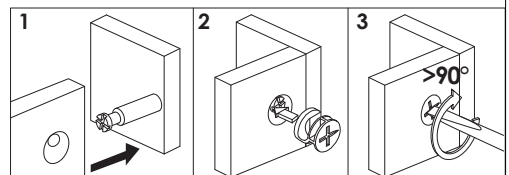
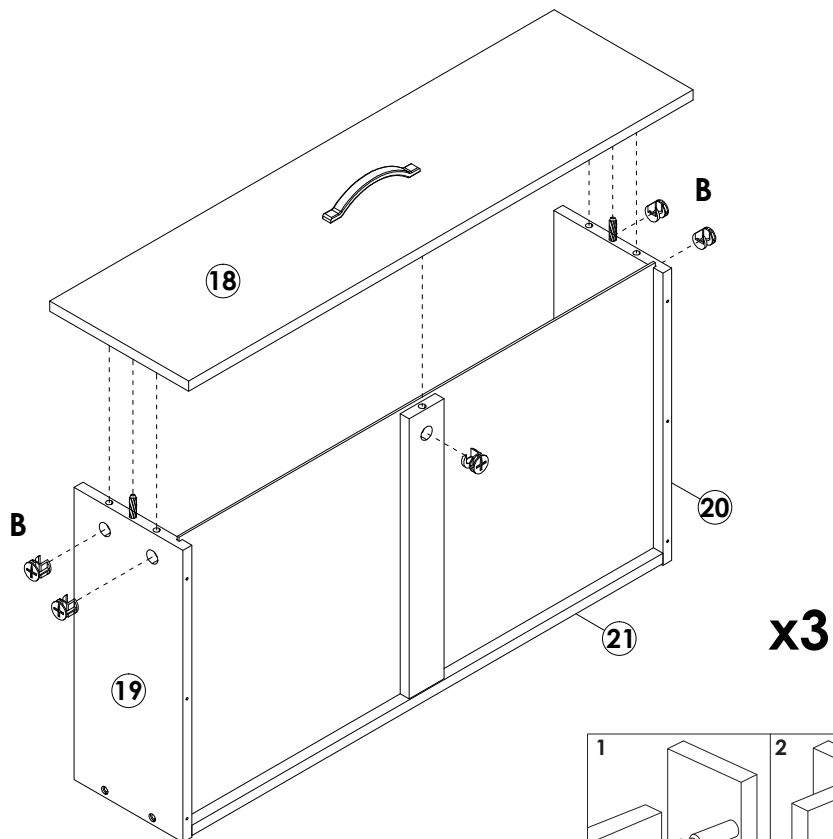
Assembly Steps(EN) / Montageschritte(DE)


STEP 30



	A x 15PCS
	F x 6PCS
	H x 3PCS

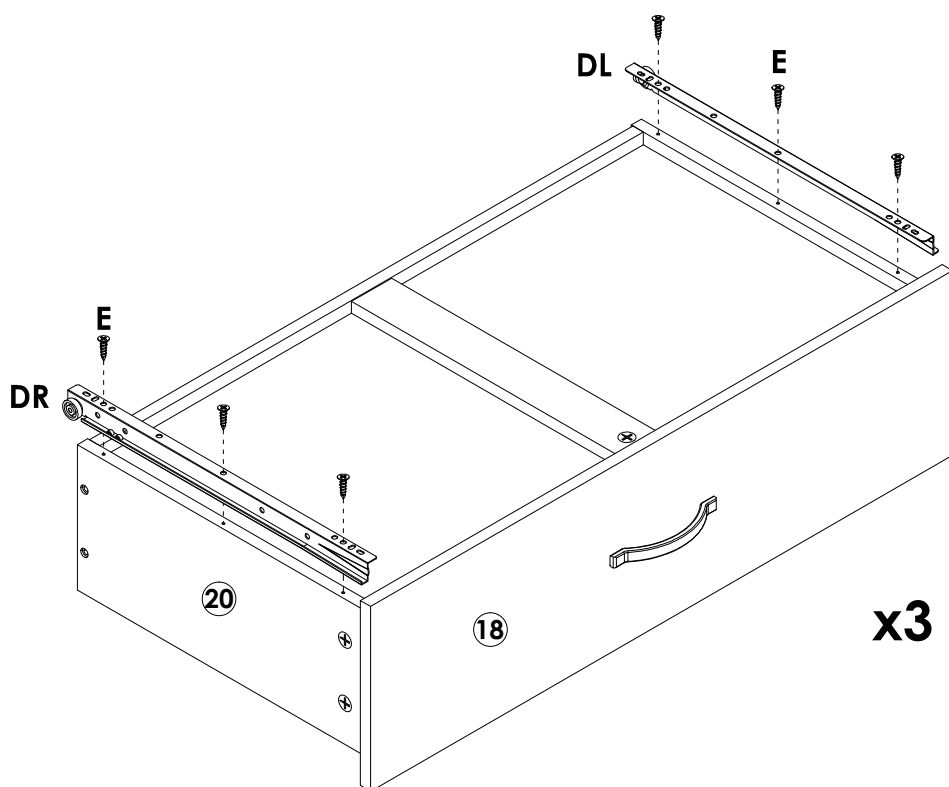
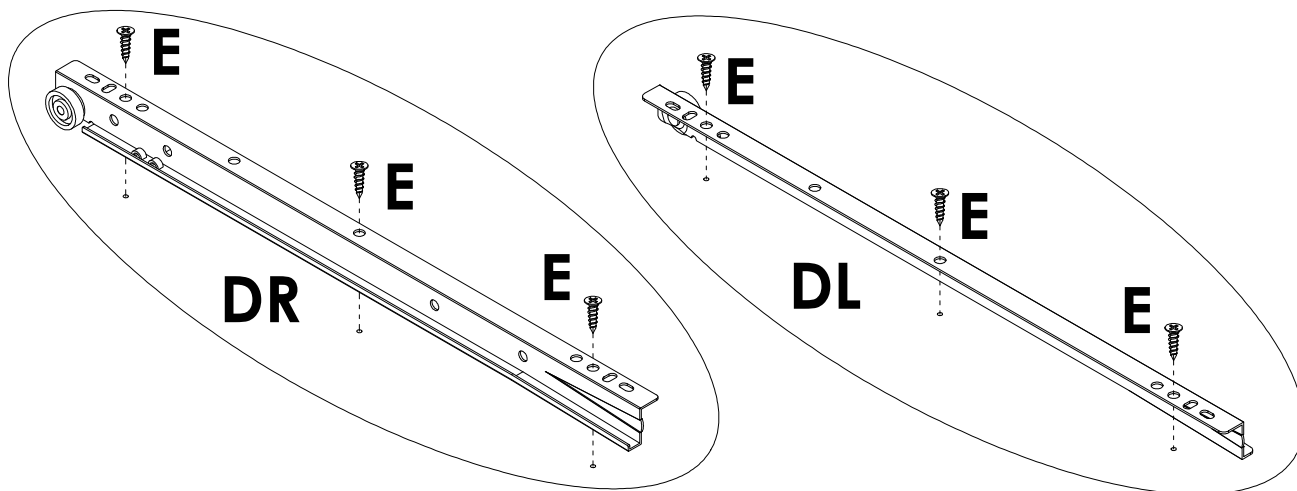
STEP 31

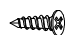




	B x 15PCS
---	-----------

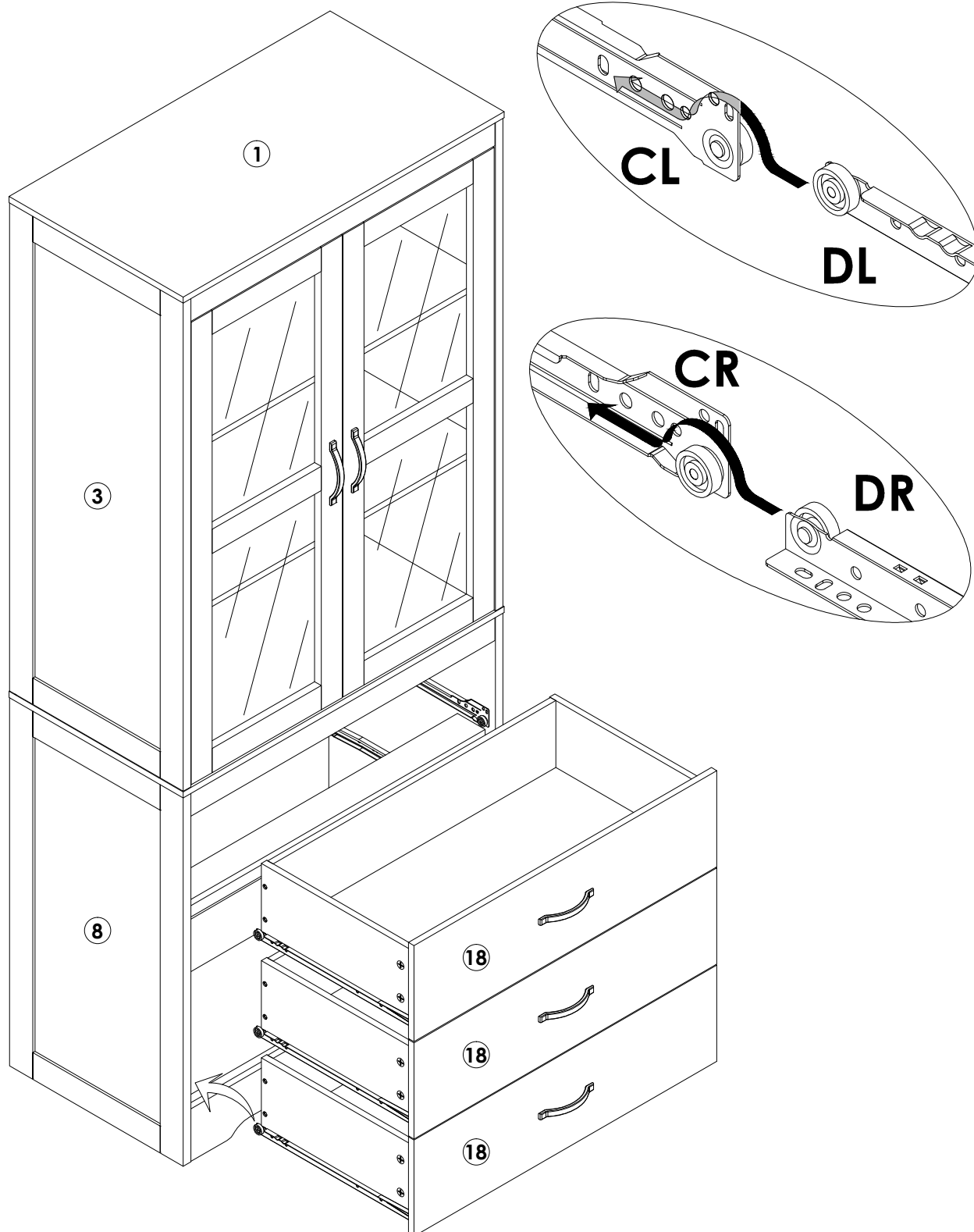
Assembly Steps(EN) / Montageschritte(DE)

STEP 32



	E x 18PCS
	DL x 3PCS
	DR x 3PCS

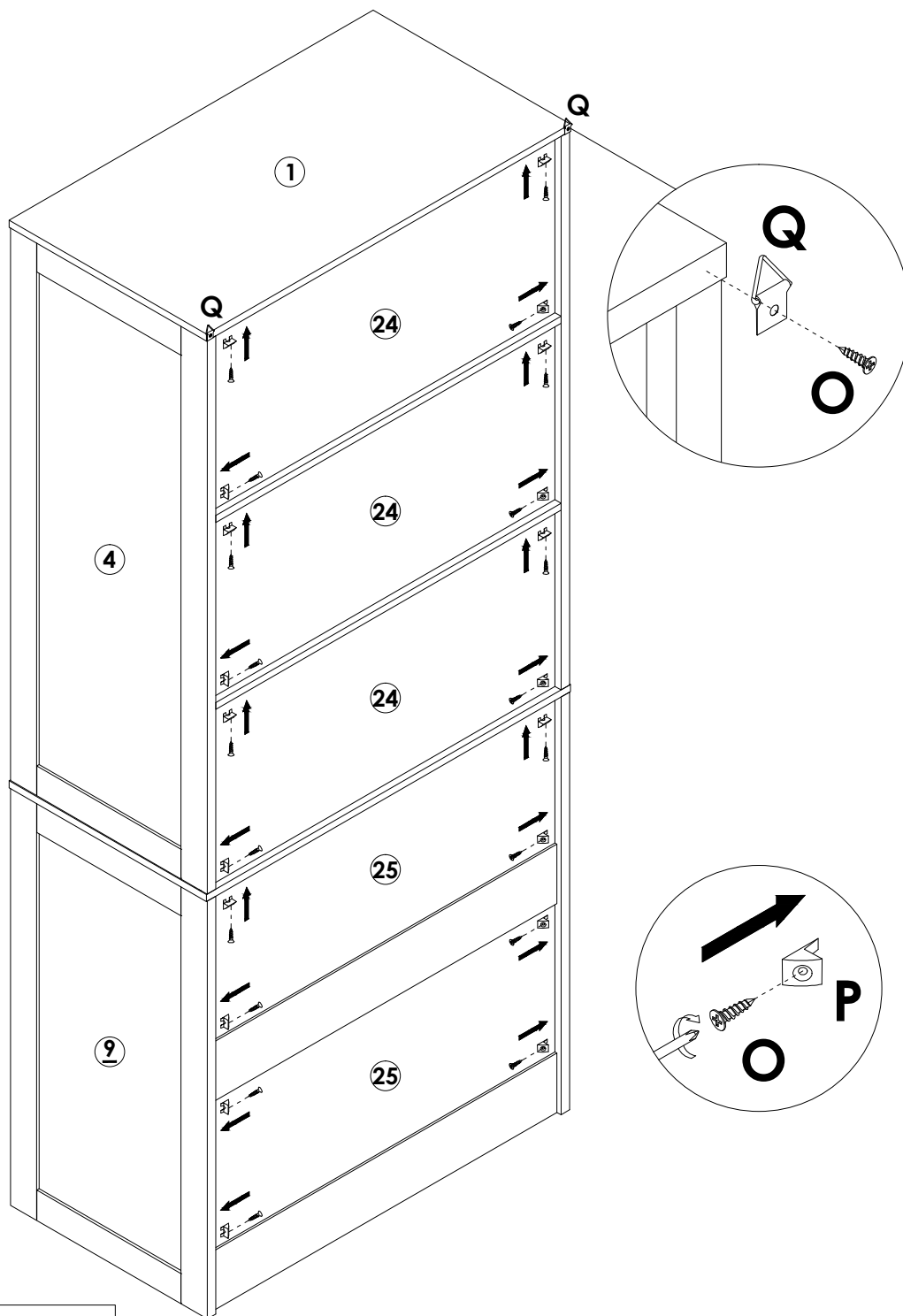
STEP 33

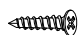




Assembly Steps(EN) / Montageschritte(DE)

STEP 34

Use the "O" screw to lock the "Q" Part on the back of the "1" board.



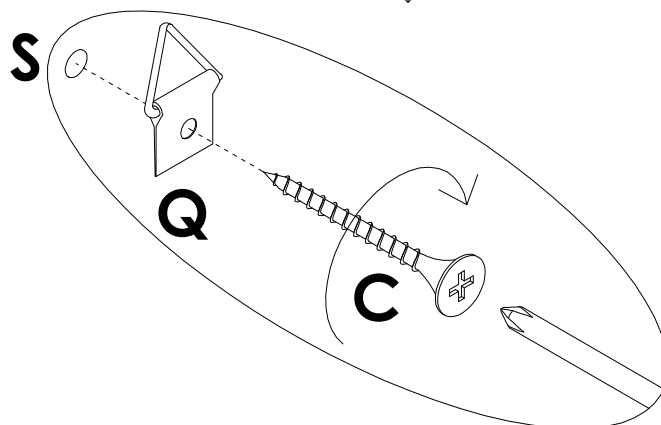
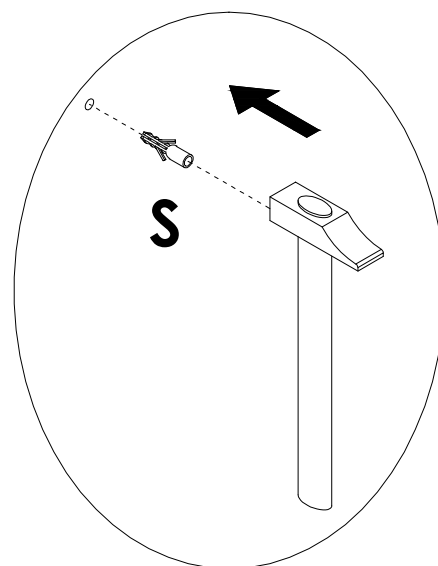
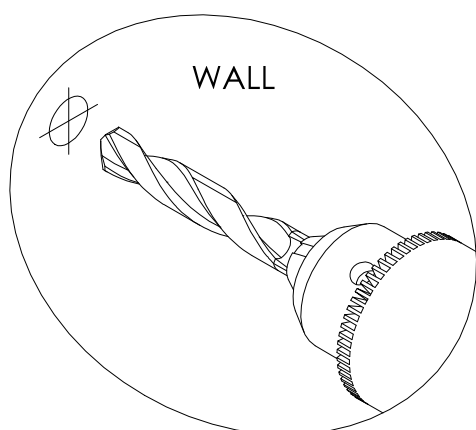
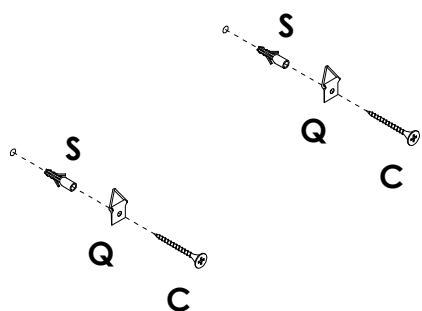
	O x 22PCS
	P x 20PCS
	Q x 2PCS

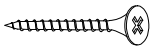


Assembly Steps(EN) / Montageschritte(DE)

STEP 35

After installation, move the cabinet to the position you need, and drill 2 holes on the wall at the corresponding position according to the height and position of the anti-falling device. Firstly, put the plastic screws "S" into 2 holes separately, and then use the "C" screws to lock the Parts "Q" with the plastic screws "S" separately.

WALL

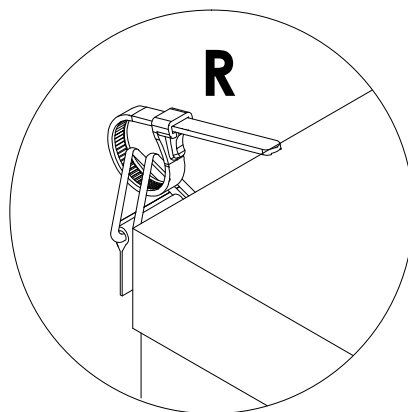
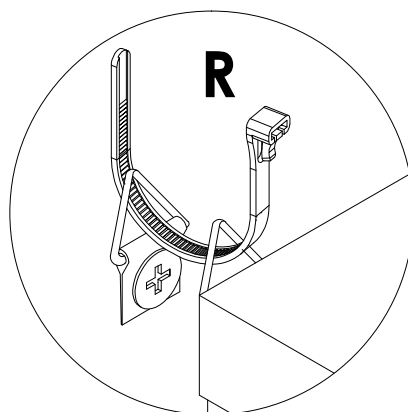
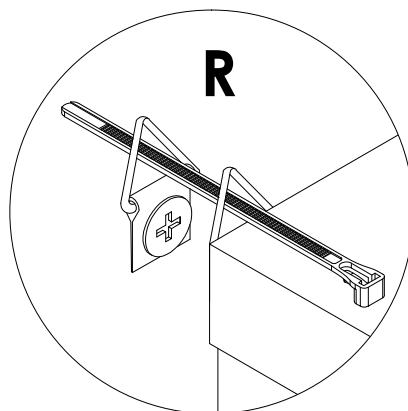
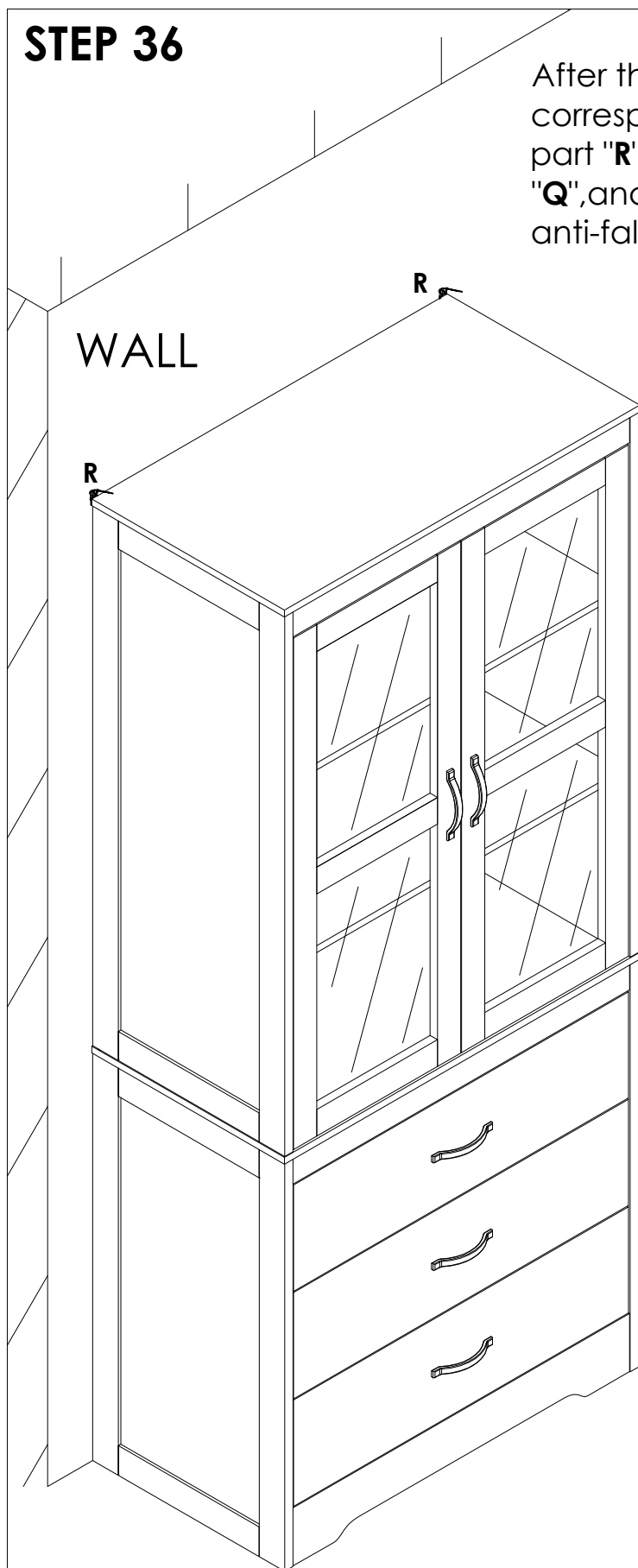


	C x 2PCS
	Q x 2PCS
	S x 2PCS

Assembly Steps(EN) / Montageschritte(DE)

STEP 36

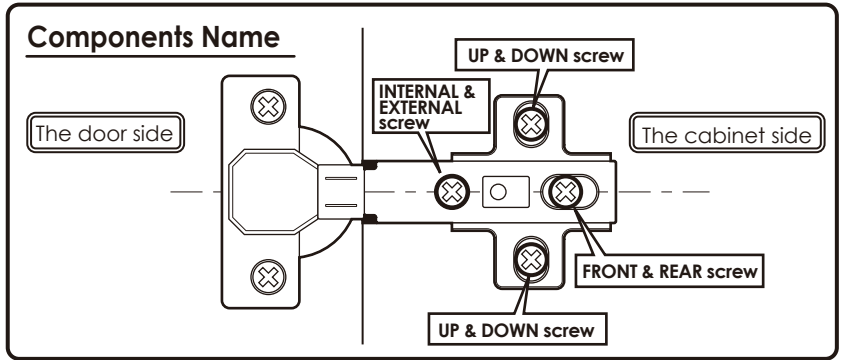
After that,move the cabinet to the corresponding position,then use the part "R" to pass through the part "Q",and tighten it.The installation of the anti-falling device is completed.



R x 2PCS

The ways to adjust the door

- Before adjusting the hinge, please check whether the cabinet is skewed.
- If the skew can not be repaired, please remove the anti-tipping device first, then adjust the cabinet to vertical position.
- Please adjust the hinge with the door open.
- Please operate it with more than 2 people, one person holds the door and the other one adjusts the screw.

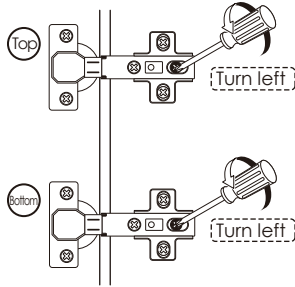


When door is crooked

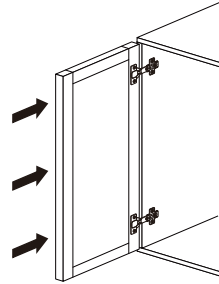


Please take the following steps to adjust first.

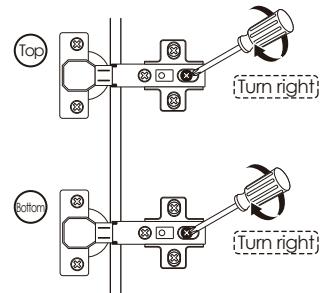
1 Rotate the "front and rear screws" to the left



2 Push the door to the cabinet

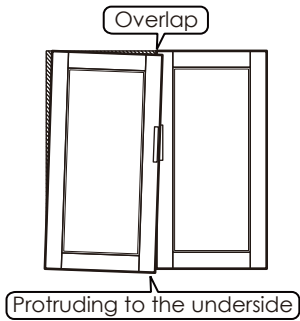


3 Rotate the "front and rear screws" to the right

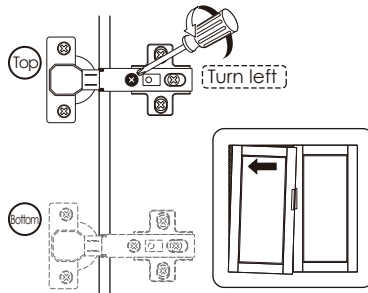


※ After adjusting the "front and rear screw", the door still does not change, please turn the "internal & external screw" to the right slightly.

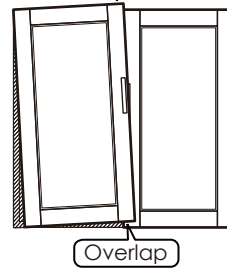
When door is leaning



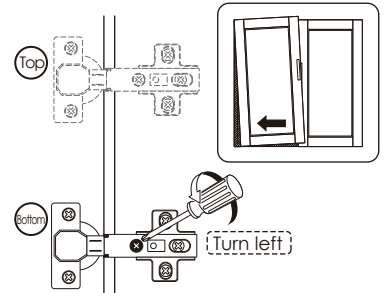
1 Turn "internal & external screw" to the left can make the top of the door tilted outward.



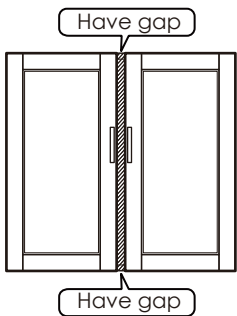
Protruding to the upside



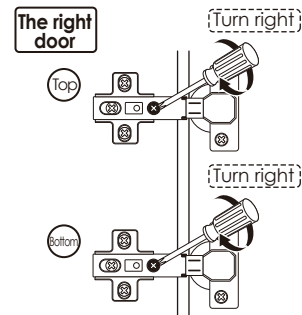
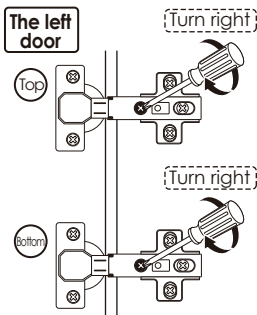
1 Turn "internal & external screw" to the left can make the bottom of the door tilted outward.



When 2 doors are not tight

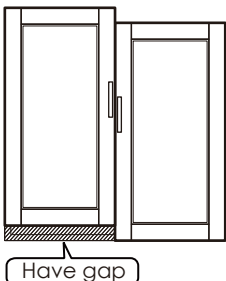


1 Turn "internal & external screw" to the right can make the door approach inside. Please adjust the doors little by little.

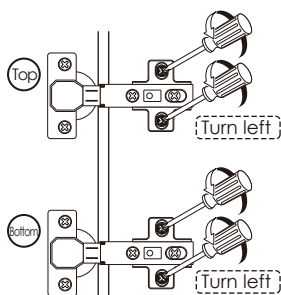


※ If the 2 doors are overlap, please turn the "internal & external screw" to the left.

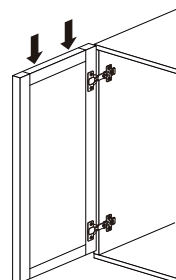
When the door is higher on top



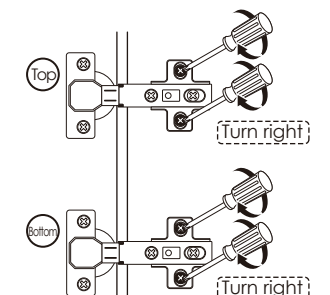
1 Turn "up & down screw" to the left



2 Lower the door's height so that 2 doors are of the same height.



3 Turn "up & down screw" to the right



※ If the door is lower on bottom, please lift up the left door slightly on step 2



WARNING



Children have died from furniture tipover. To reduce the risk of furniture tipover:

- **ALWAYS** install tipover restraint provided.
- **NEVER** put a TV on this product.
- **NEVER** allow children to stand, climb or hang on drawers, doors, or shelves.
- **NEVER** open more than one drawer at a time.
- Place heaviest items in the lowest drawers.

