

## NOTICE

- \* Please make sure that you have all parts indicated and they are in good condition before you begin assembly of this item. Refer to part list and hardware list below for guidance.
- \* This item should be assembled on a soft surface to prevent scratching the finish during assembly.
- \* This item may require periodic tightening.
- \* If you are having difficulty, our friendly Customer Care team is always here to help. Please Email [customersupport@safavieh.com](mailto:customersupport@safavieh.com)

## PREPARATION

- \* Before beginning assembly of product, make sure all parts are present. Compare parts with part contents list and hardware contents list.
- \* If any part is missing or damaged, do not attempt to assemble the product.
- \* Estimated Assembly Time: 40 minutes.
- \* Tools Required for Assembly (included): Allen Key, while Screwdriver and Hammer (Not Included).

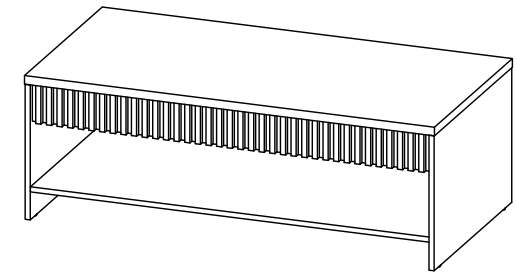
## CARE AND MAINTENANCE

**WOOD CARE:** Adhesive felt pads should always be applied to areas of furniture which make direct contact with flooring, said application will prevent damage to the furniture and or surfaces on which the furniture lies. Objects placed on articles of furniture should rest on nonabrasive material as to prevent damage to the wood finish. Wipe up spills immediately and avoid common hazards such as hot dishes, harsh solvents and abrasives. Cleaning should be done with a soft lint free cotton cloth dampened with water or furniture polish.



ITEM ID: COF3601A

ITEM DIMENSTION: 47.09" X 23.62" X 16.54"





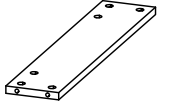



**⚠️WARNING⚠️**




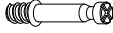


Weight Capacity - 206 LBS

Warning : Do not stand on Coffee Table

Warning : Do not over torque bolts

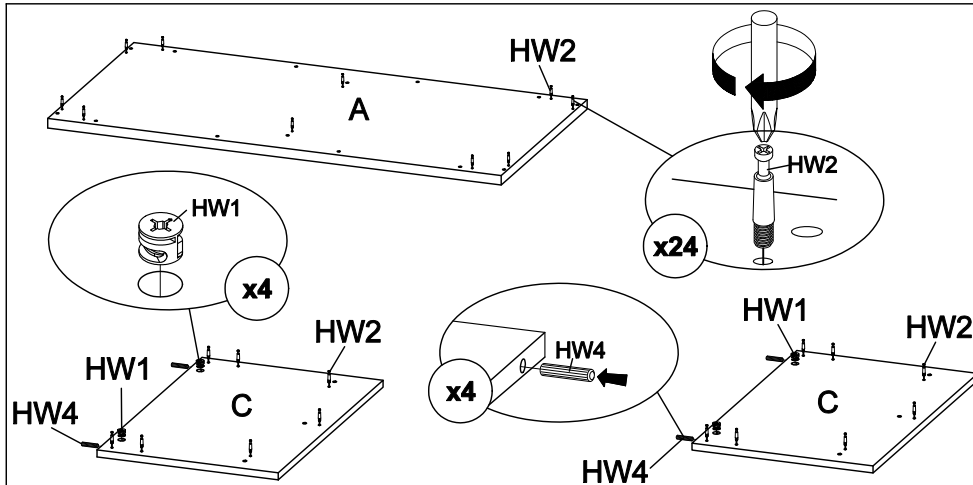
## Part List and Hardware List

PIECE	DISCRIPTION	PICTURE	QTY	PIECE	DISCRIPTION	PICTURE	QTY	PIECE	DISCRIPTION	PICTURE	QTY
<b>A</b>	TOP PANEL		X1	<b>C</b>	SIDE PANEL (L/R)		X2	<b>E</b>	TOP CENTER SUPPORT		X1
<b>B</b>	BOTTOM PANEL		X1	<b>D</b>	TOP SUPPORT		X2	<b>F</b>	SUPPORT PANEL		X1

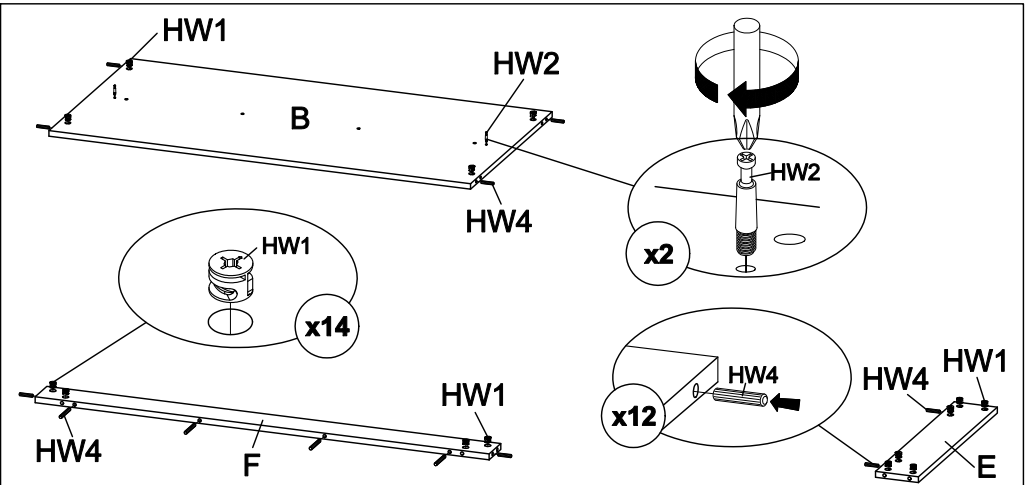
<b>HW1</b>	MINIFIX CAM		X30	<b>HW3</b>	MINIFIX CAP		X30	<b>HW5</b>	ALLEN KEY M4		X1
<b>HW2</b>	MINIFIX BOLT		X30	<b>HW4</b>	M8 X 30MM WOOD DOWEL		X24	<b>HW6</b>	5/8 PVC NAIL LEG		X6

# PREPARATION

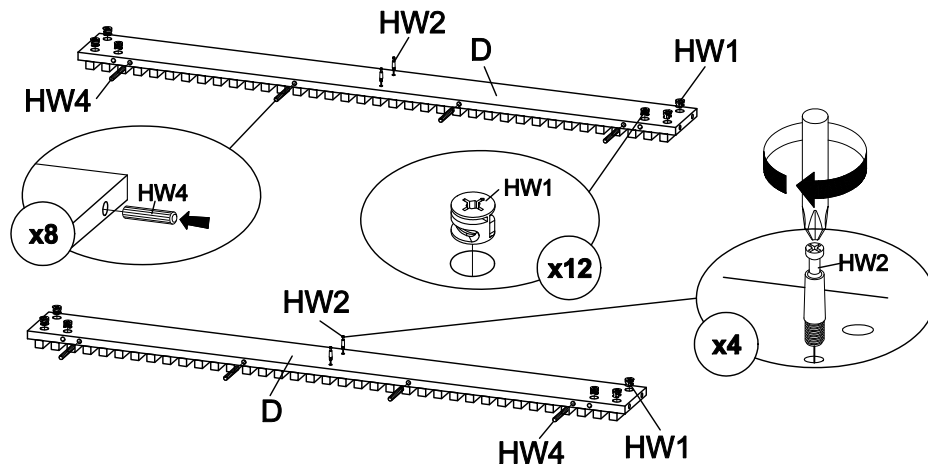
- \* Before beginning assembly of product, make sure all parts are present. Compare parts with part contents list and hardware contents list.
- \* If any part is missing or damaged, do not attempt to assemble the product.
- \* Estimated Assembly Time: 40 minutes.
- \* Tools Required for Assembly (included): Allen Key, while Screwdriver and Hammer (Not Included).



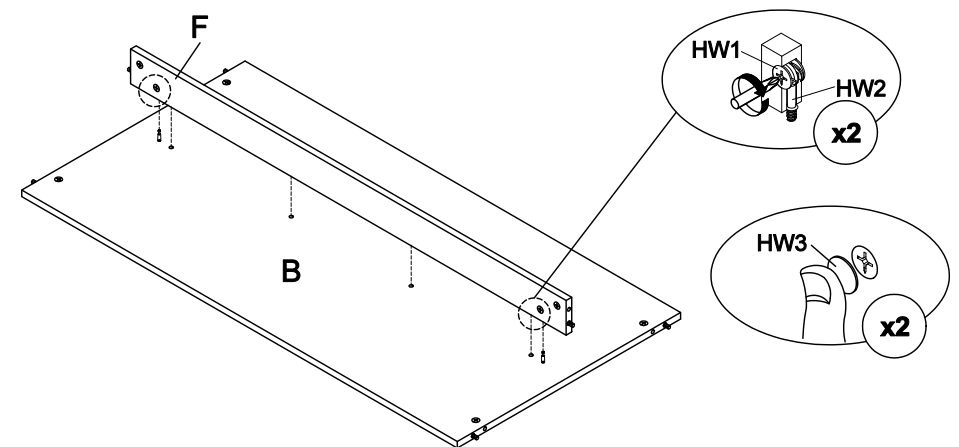
**STEP 1: INSERT HARDWARE (HW1, HW4) INTO PANEL (C). INSERT HARDWARE (HW2) ONTO PANEL (A,C).**



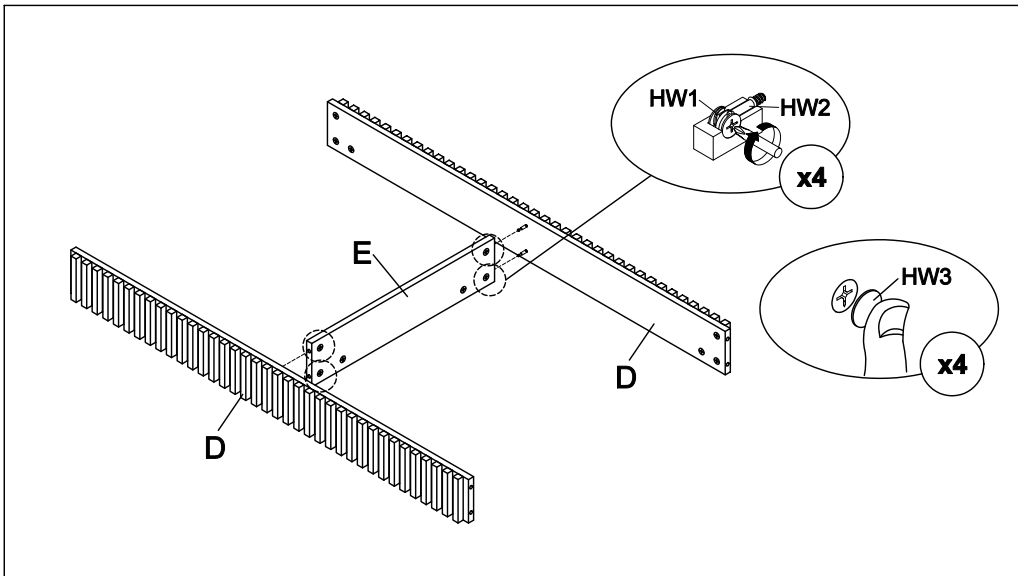
**STEP 2: INSERT HARDWARE (HW1, HW4) INTO PANEL (B, E, F). INSERT HARDWARE (HW2) ONTO PANEL (B).**



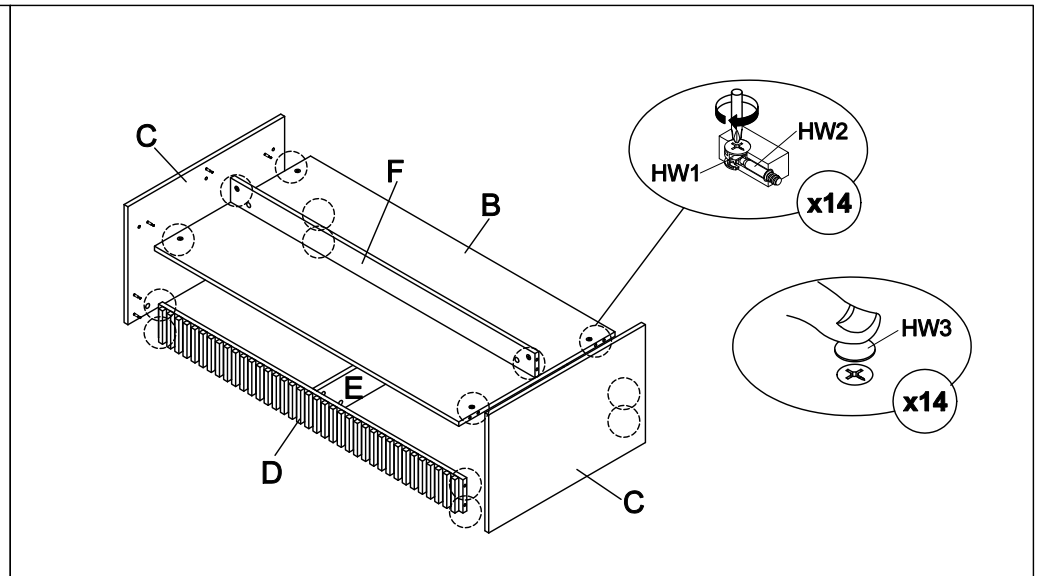
**STEP 3: INSERT HARDWARE (HW1, HW4) INTO PANEL (D). INSERT HARDWARE (HW2) ONTO PANEL (D).**



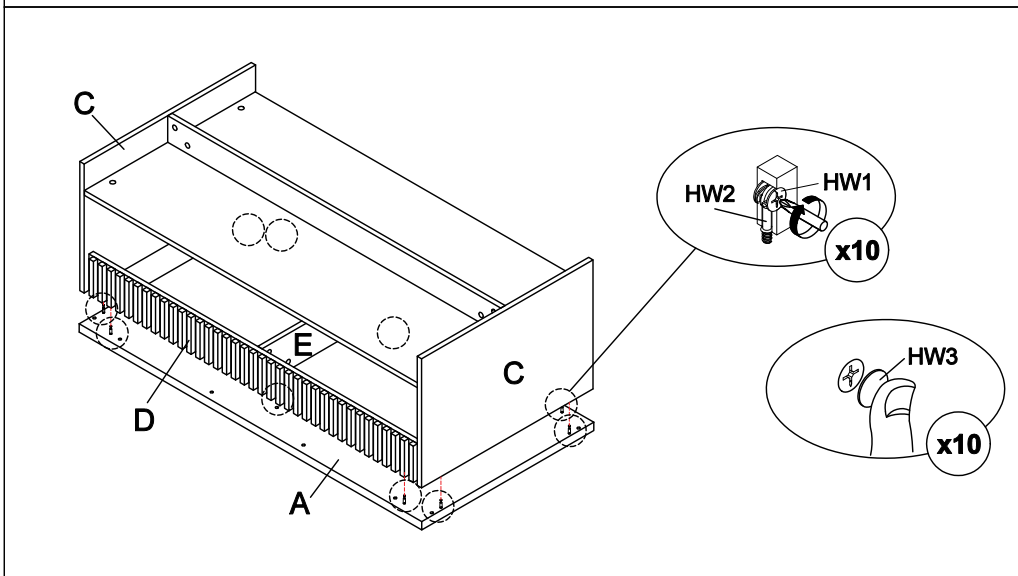
**STEP 4: ATTACH PANEL (B) TO PANEL (F). INSERT ALL HARDWARE (HW2) INTO (HW1). ROTATE ALL (HW1) UNTIL TIGHT. APPLY (HW3) ONTO ALL (HW1).**



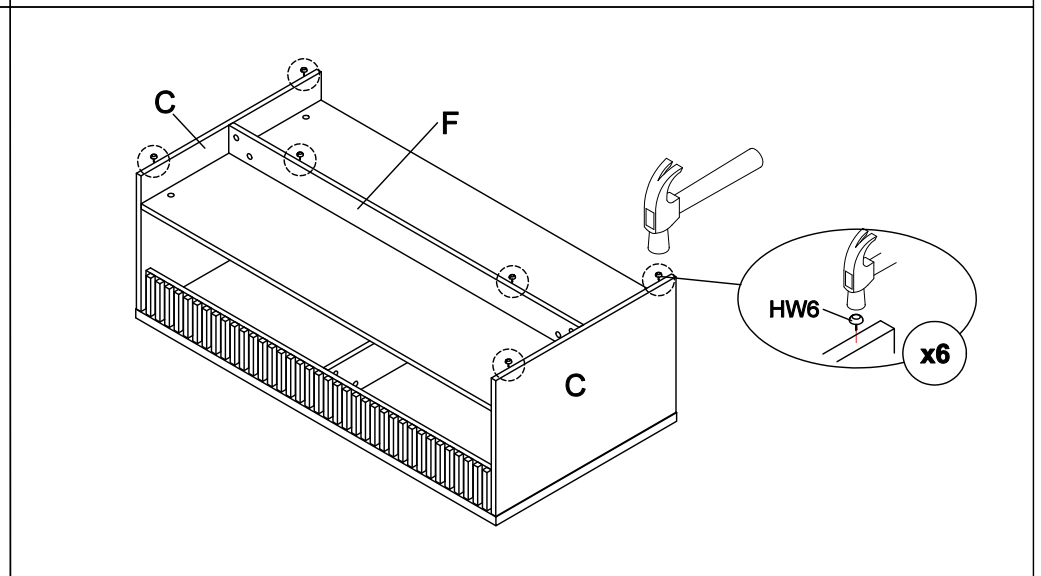
**STEP 5: ATTACH PANEL (D) TO PANEL (E). INSERT ALL HARDWARE (HW2) INTO (HW1). ROTATE ALL (HW1) UNTIL TIGHT. APPLY (HW3) ONTO ALL (HW1).**



**STEP 6: ATTACH PANEL (C) TO PANEL (B, D, F). INSERT ALL HARDWARE (HW2) INTO (HW1). ROTATE ALL (HW1) UNTIL TIGHT. APPLY (HW3) ONTO ALL (HW1).**



**STEP 7: ATTACH PANEL (A) TO PANEL (C, D). INSERT ALL HARDWARE (HW2) INTO (HW1). ROTATE ALL (HW1) UNTIL TIGHT. APPLY (HW3) ONTO ALL (HW1).**



**STEP 8: HIT HARDWARE (HW6) INTO BOTTOM OF PANEL (C, F).**