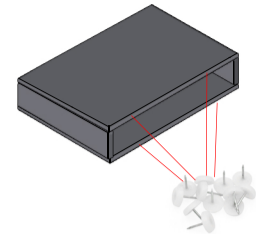
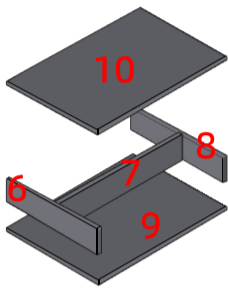


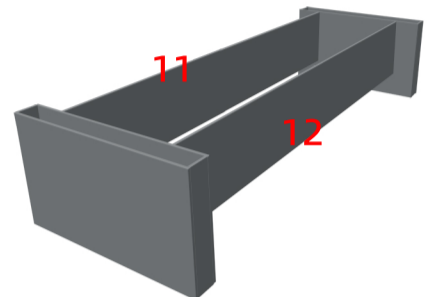
1: Screw the three-in-one bolts into the two large side panels and the two small vertical panels of the table leg box, as shown in the figure above. Then, assemble all five panels of the table leg box together.



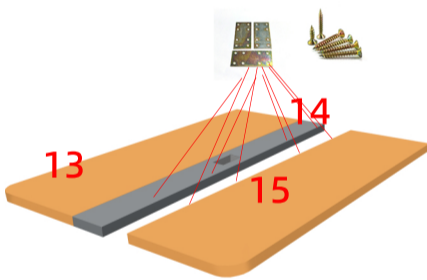
2: Screw two foot nails into the bottom of each side panel of the table leg box.



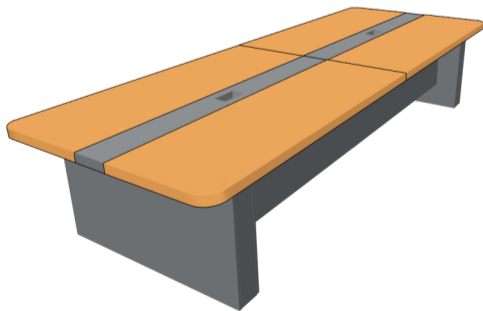
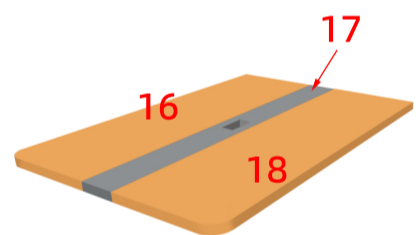
3: Repeat the above steps to assemble a second table leg box. You should have two in total.



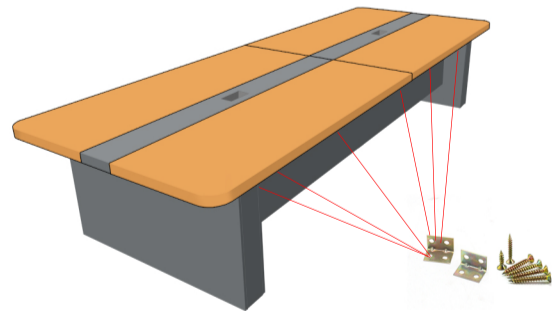
4: Install the three-in-one screws onto the side panels. Then, use the tie plates to connect the two table leg boxes and tighten the latches.



5: Lay three panels flat on the ground with their edges aligned. Use flat connectors to secure each pair of panels. Repeat the same steps for the other three panels.



6. Place the two combined panels onto the table frame with the side fixed by flat codes facing downward. Adjust the position to center and align the panels (handle the panels with care during moving).



7. Fix the desktop to the table legs and the desktop to the tie plates with angle brackets.

The effect after installation is as shown in the right figure.

