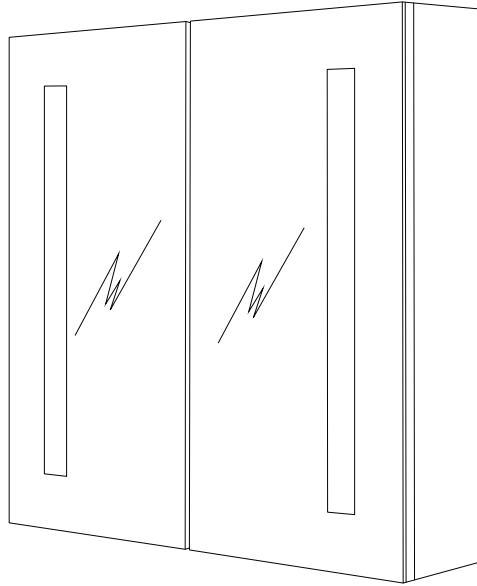


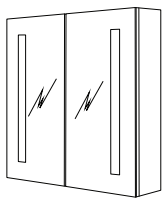
Diagram illustrating safety and time requirements for two tasks:

- Task 1:** Requires a screwdriver and a power drill. It is marked with a warning symbol (exclamation mark in a triangle) and a 30-minute clock icon.
- Task 2:** Requires a rectangular block on a surface. It is marked with a warning symbol (exclamation mark in a triangle) and a person icon with the number 2, indicating two people are required.

A



A



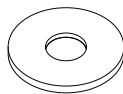
x 1

B



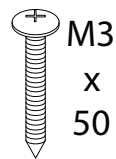
x 4

C



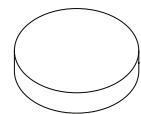
x 4

D



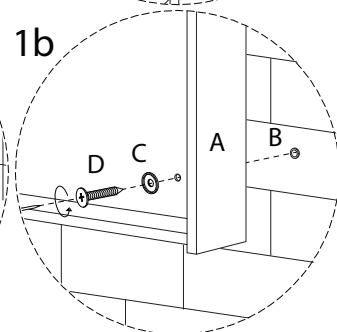
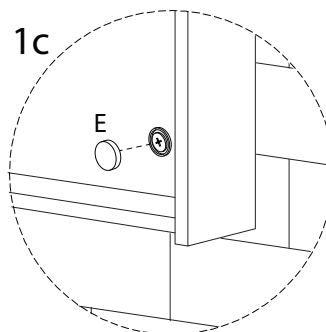
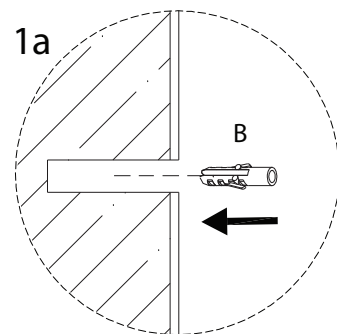
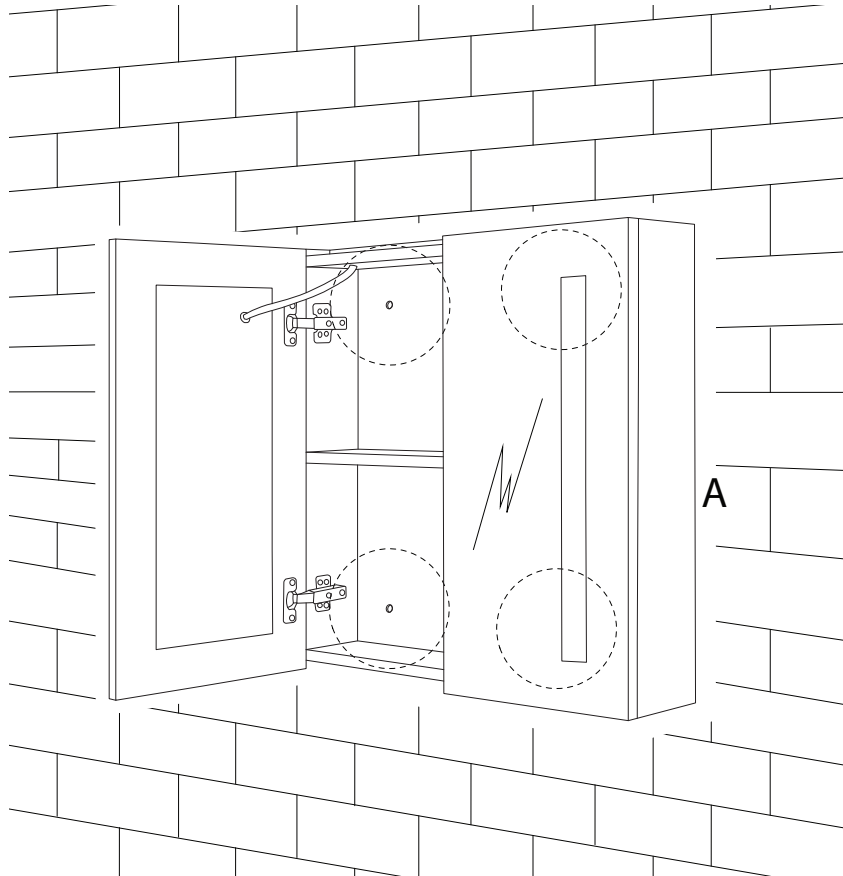
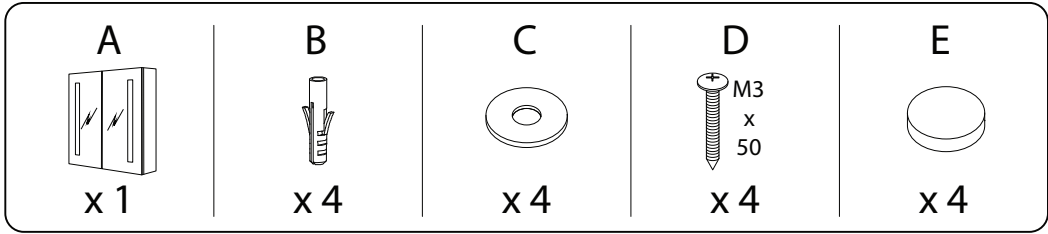
x 4

E



x 4

1



2

