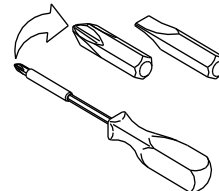
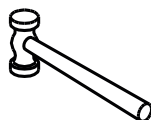
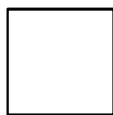


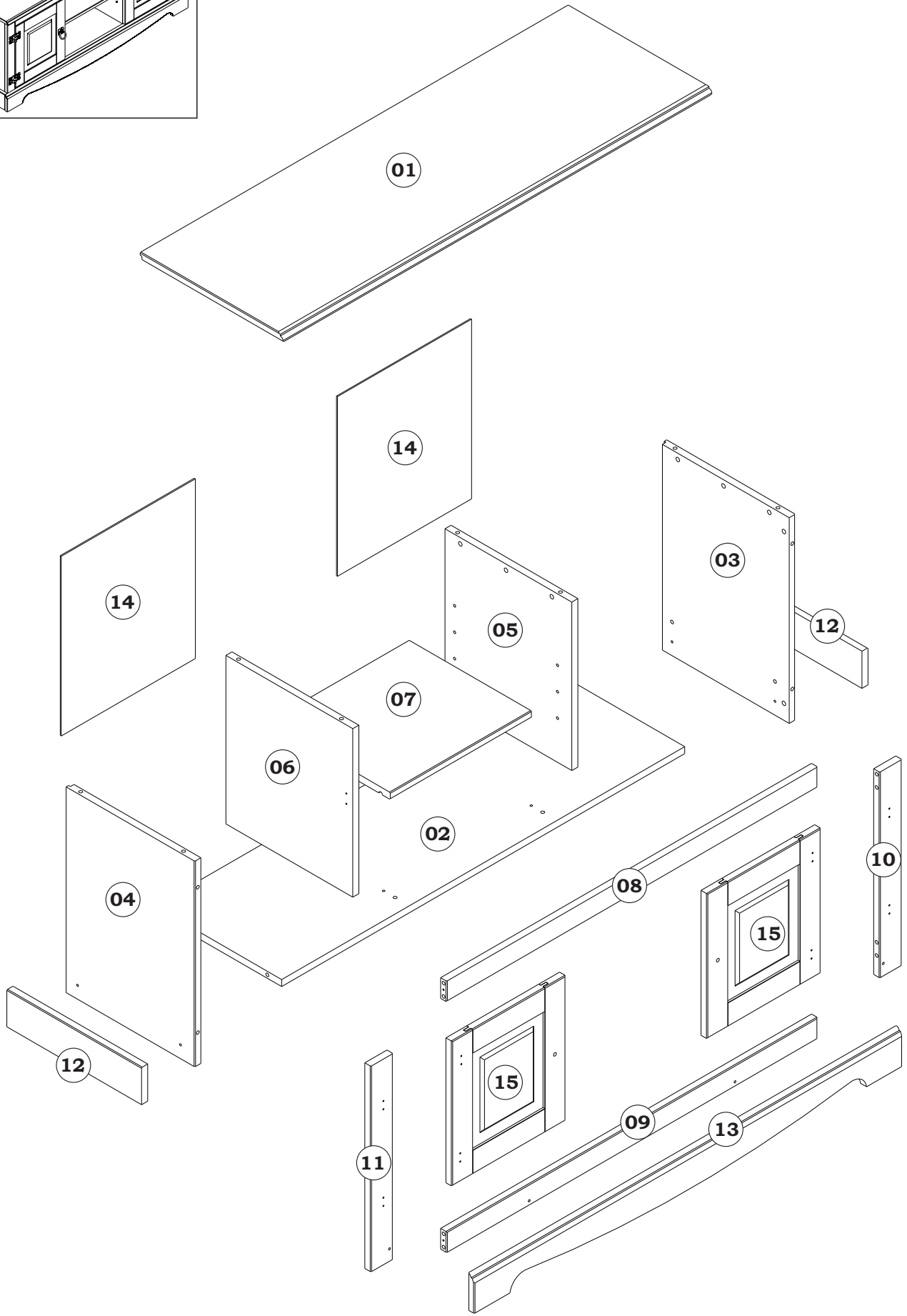
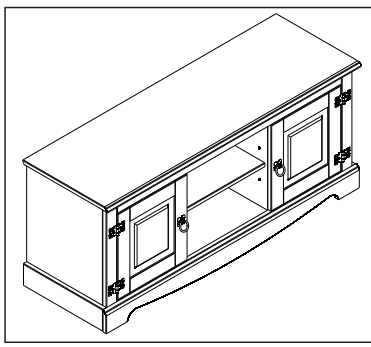
Width = 1150mm
Depth = 400mm
Height = 515mm



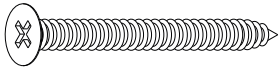
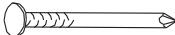
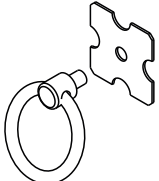
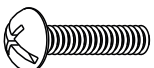
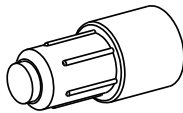
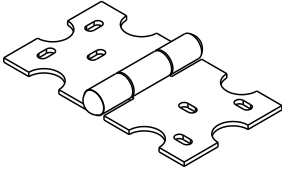
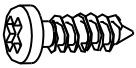


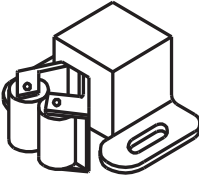
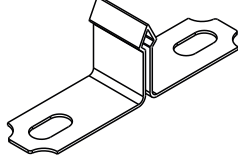

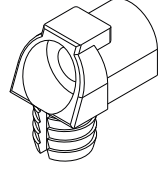
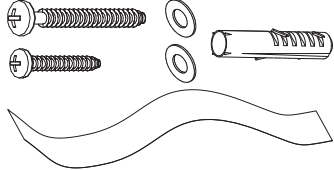
2m x 2m




0:60h

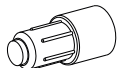



A	 Ø8,0x30mm	28
B	 Ø3,5x30mm	12
C	 Ø4,0x40mm	04
D	 8x8	24
E		02
F	 3/16"x5/8"	02
G		04
H		04
I	 Ø3,5x16mm	32

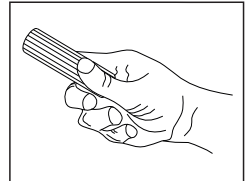
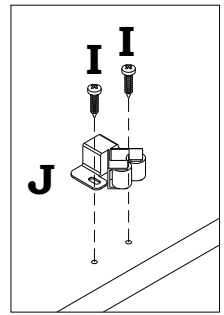
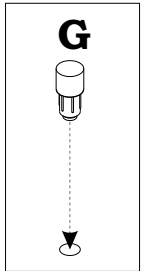
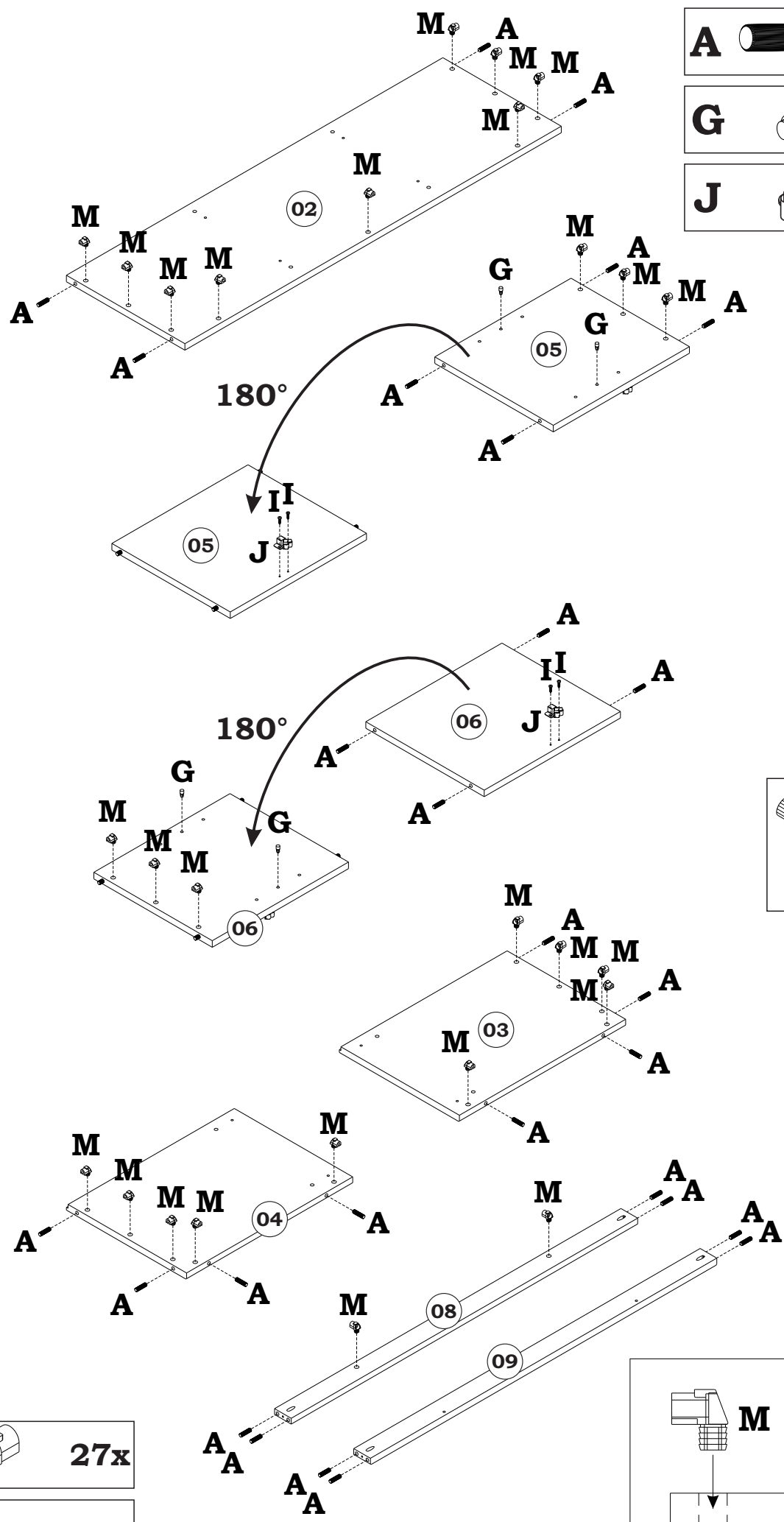
J		02
K		02
L	 Ø4,0x25mm	27
M		27
Y		01

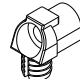
01


A  **28x**
Ø8,0x30mm

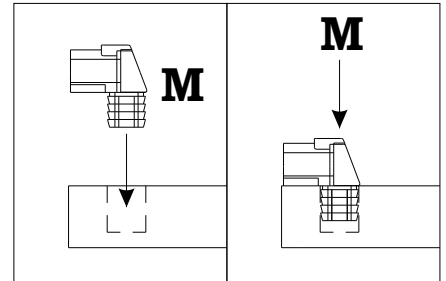
G  **04x**

J  **02x**

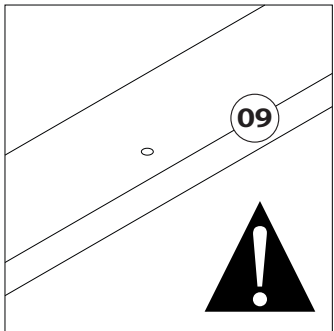
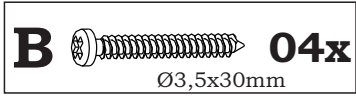
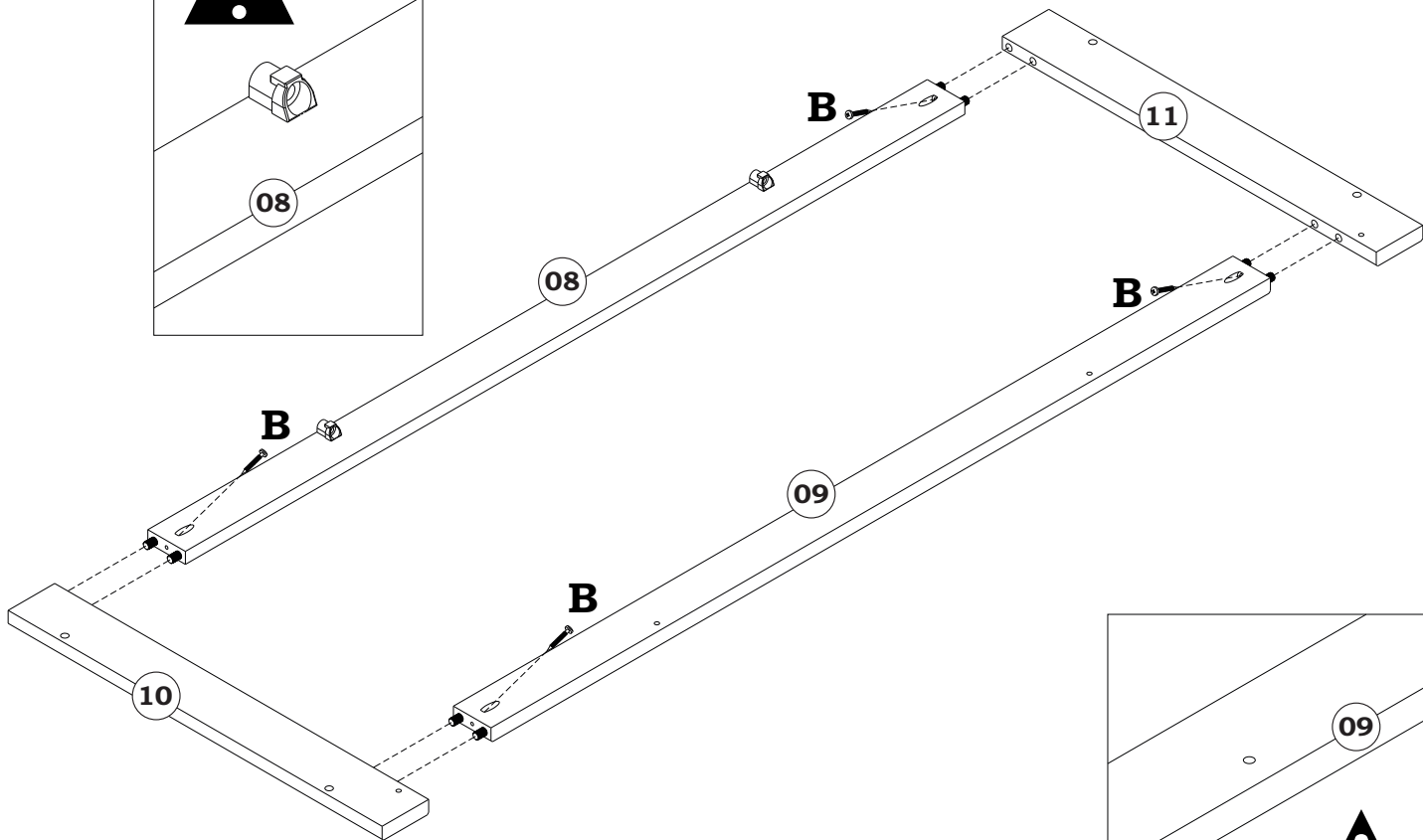
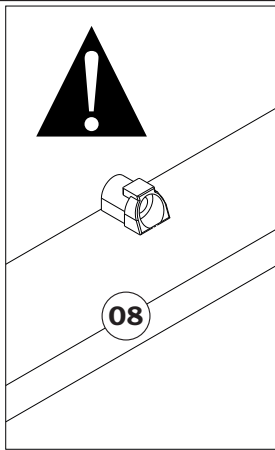


M  **27x**

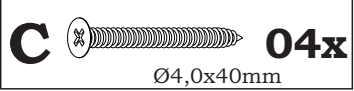
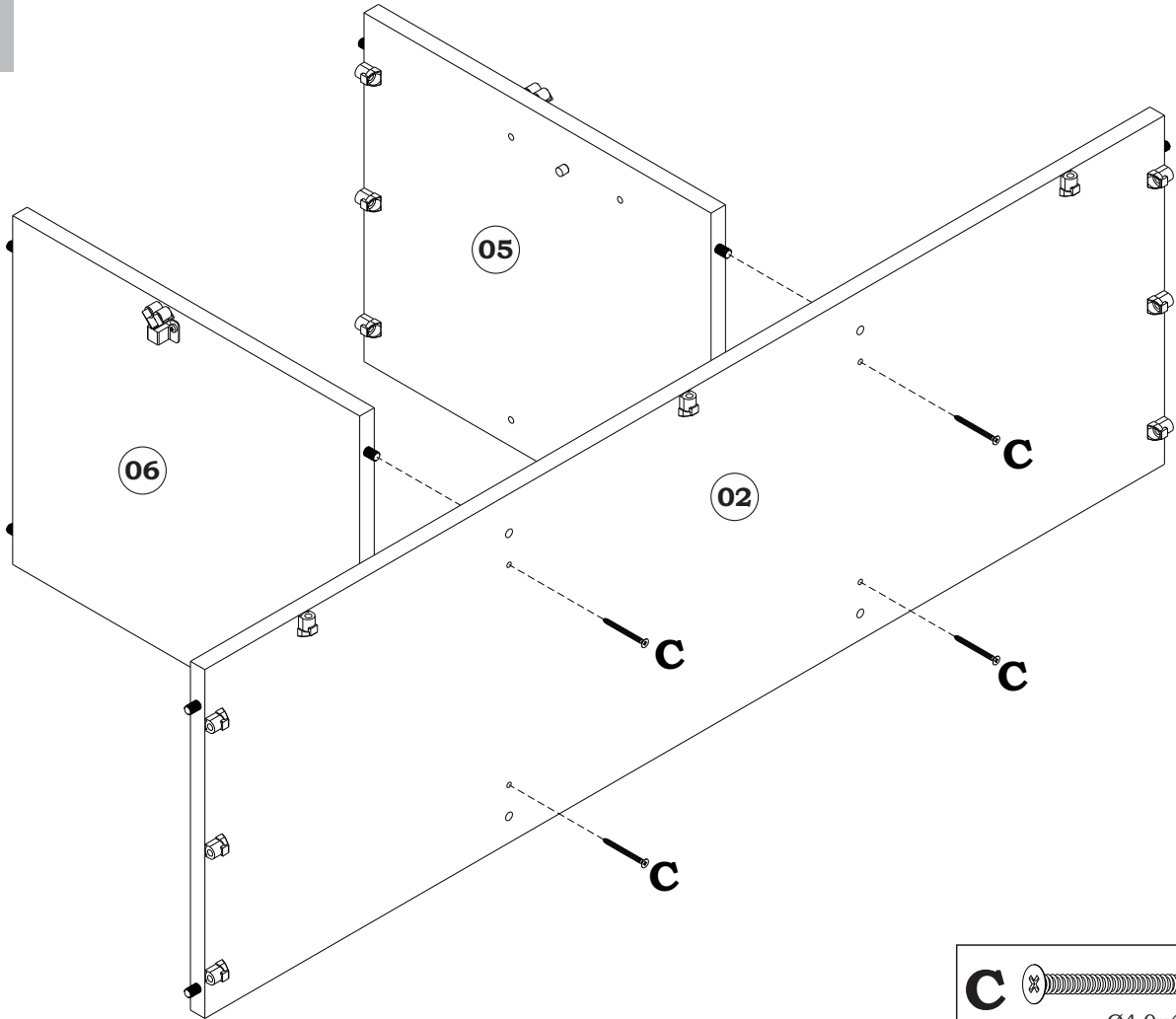
I  **04x**
Ø3,5x16mm



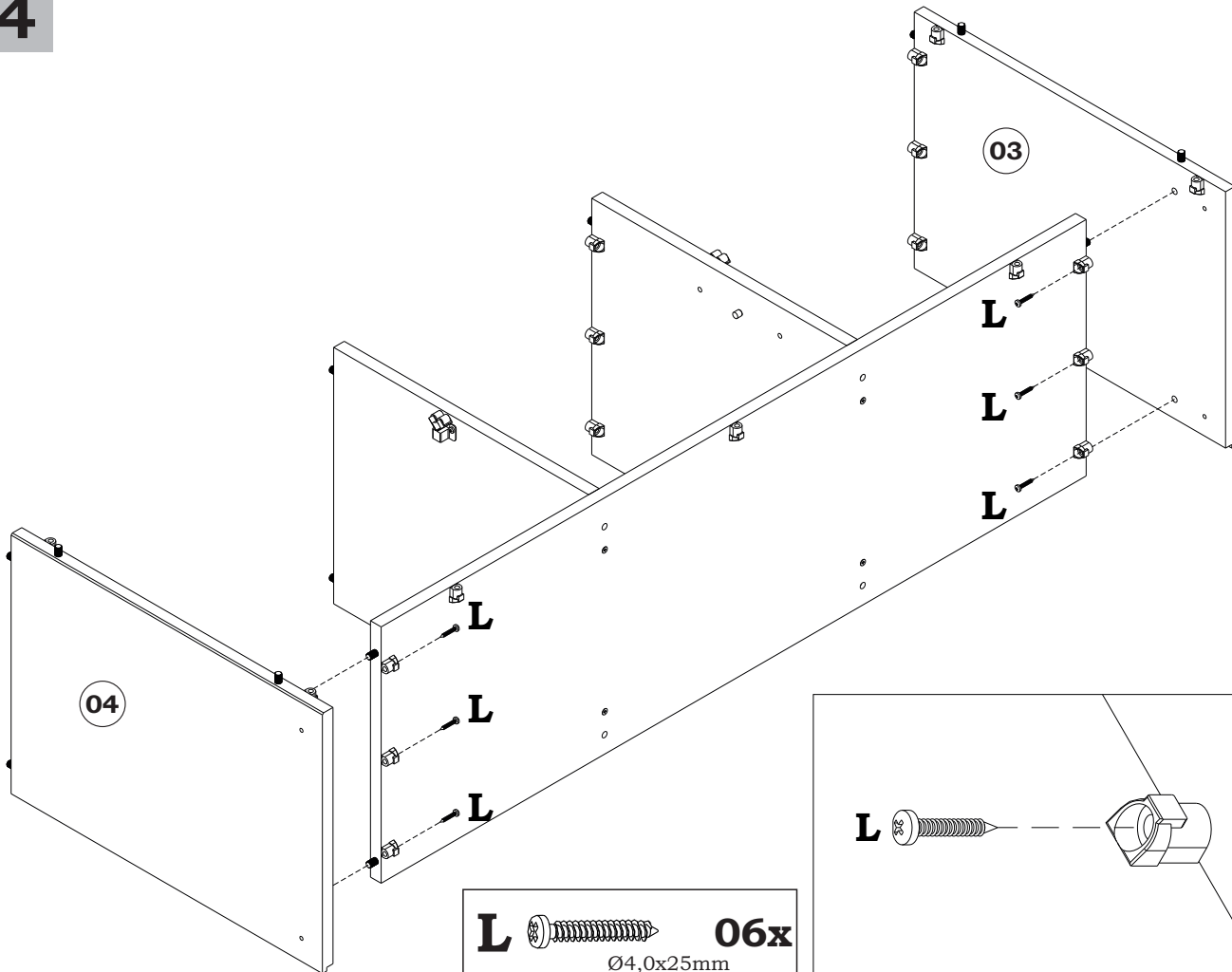
02



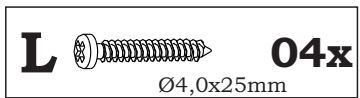
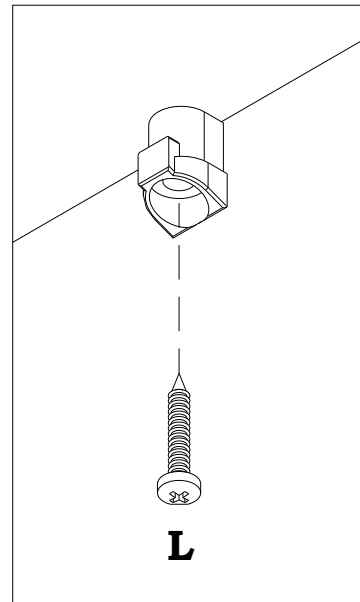
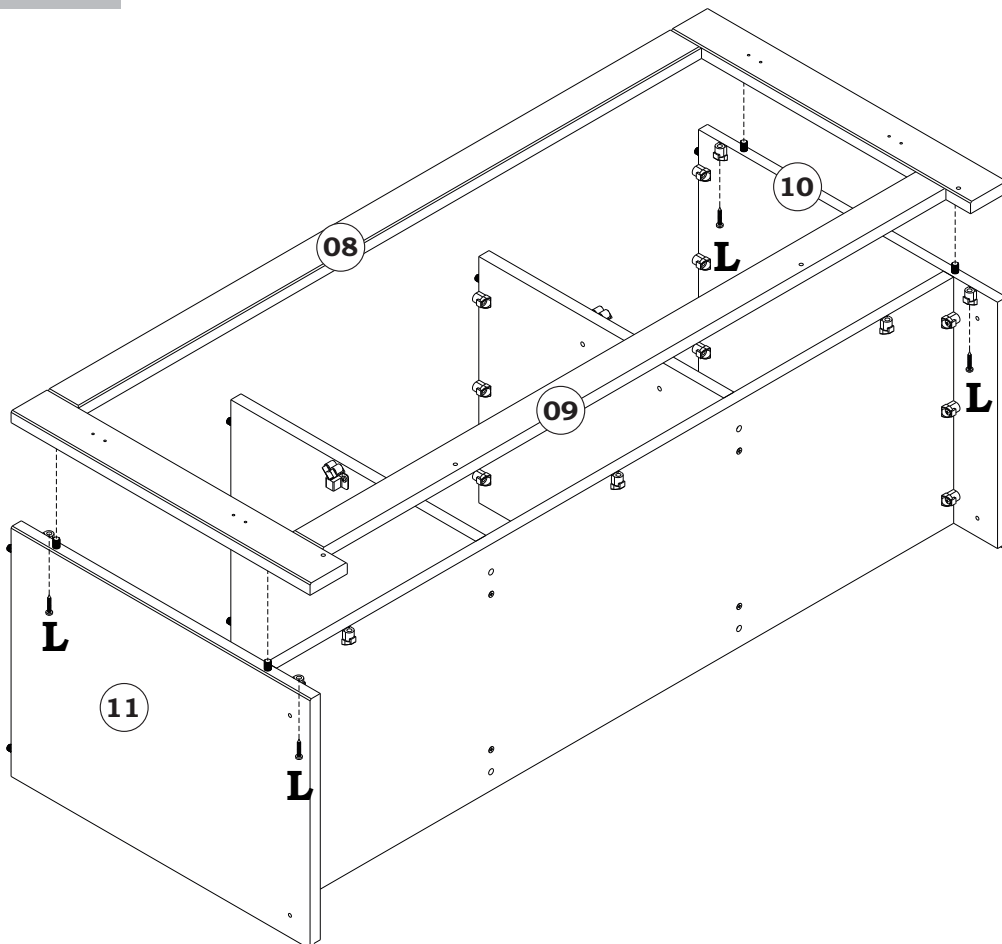
03



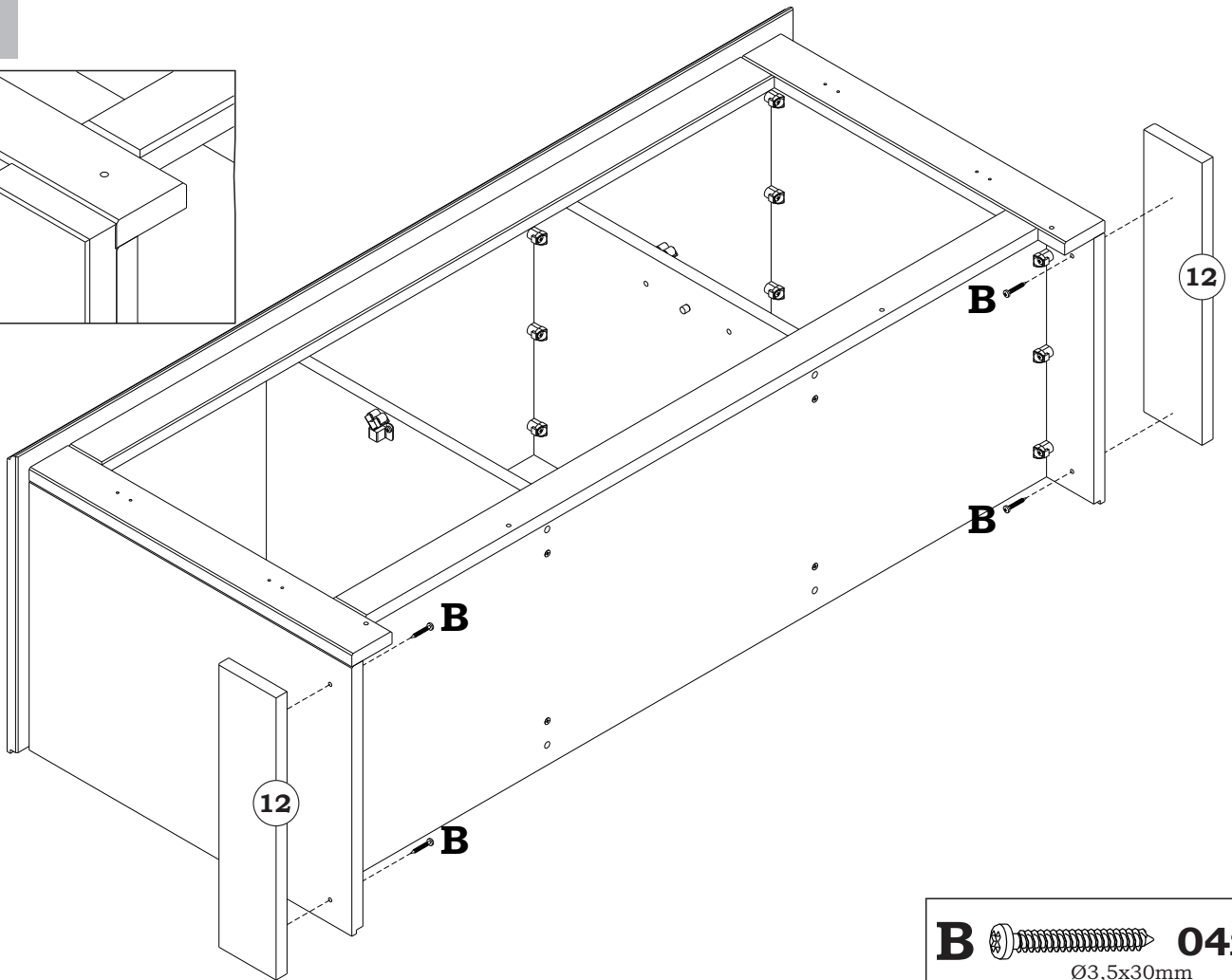
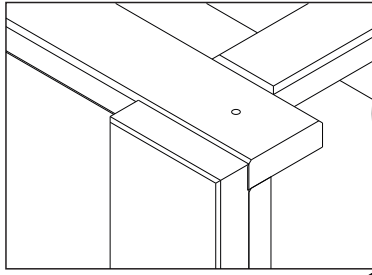
04

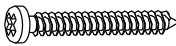


05

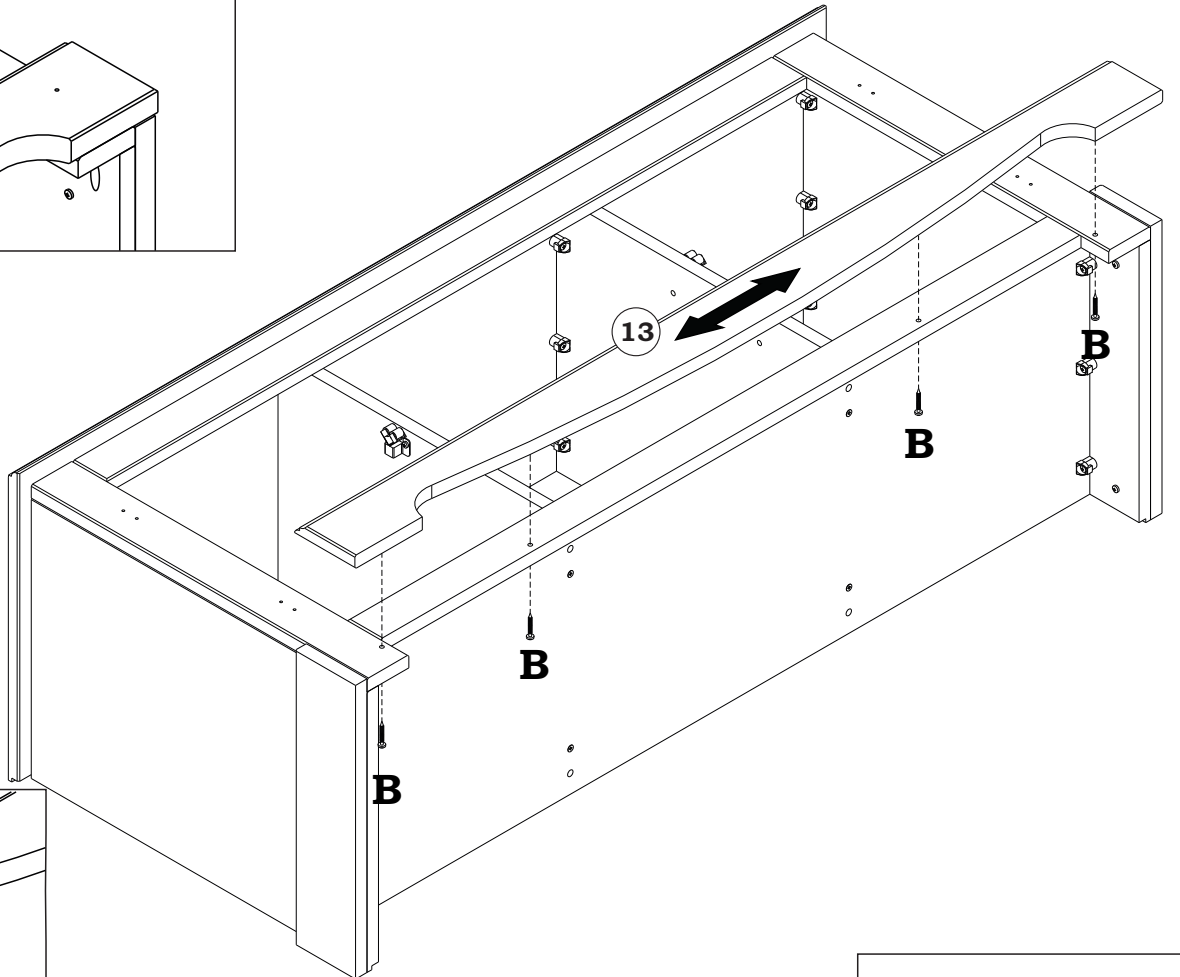
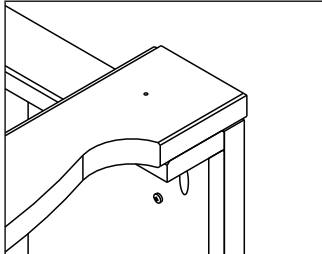



08



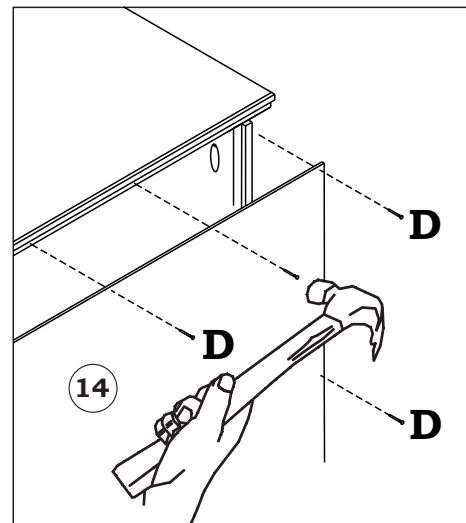
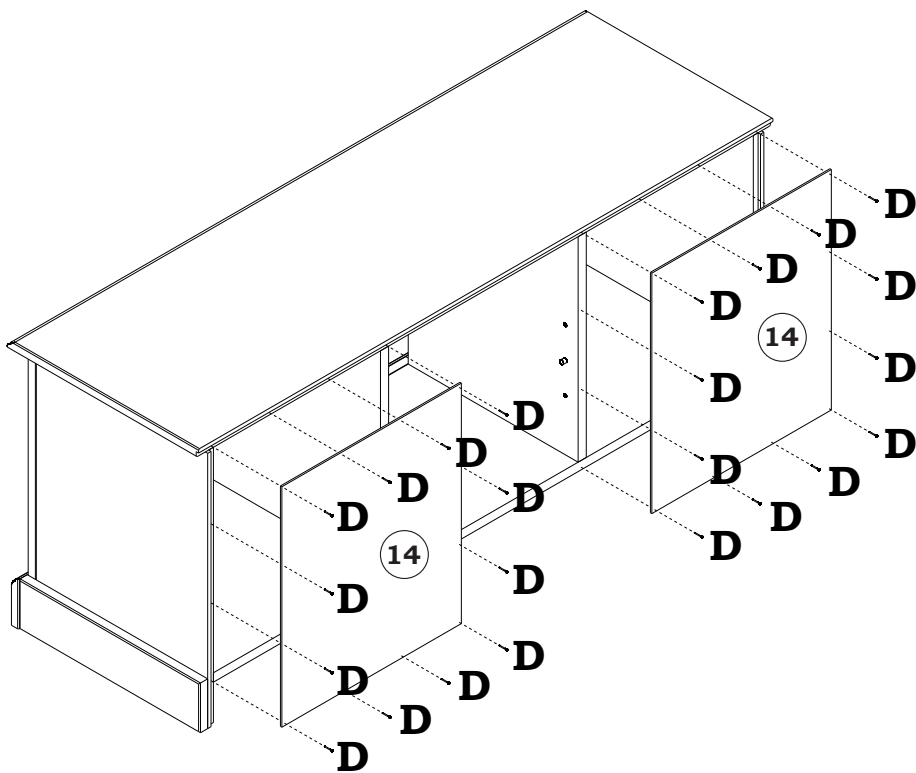
B  **04x**
Ø3,5x30mm

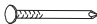
09



B  **04x**
Ø3,5x30mm

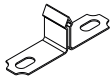
10

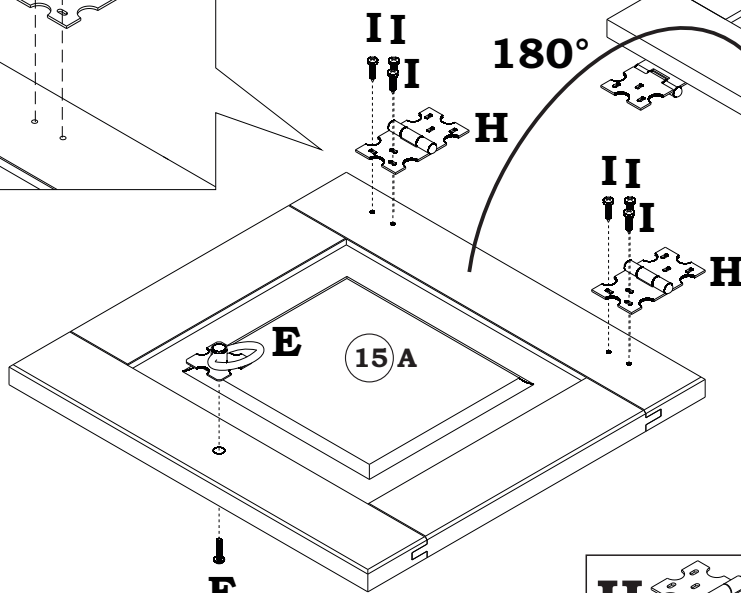
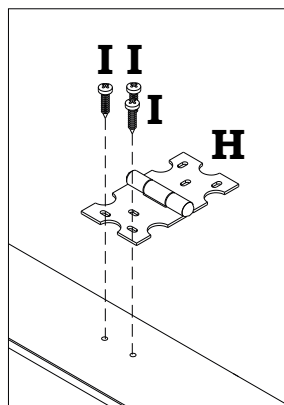


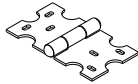
D  **24x**
8x8


11

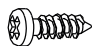
E  **01x**

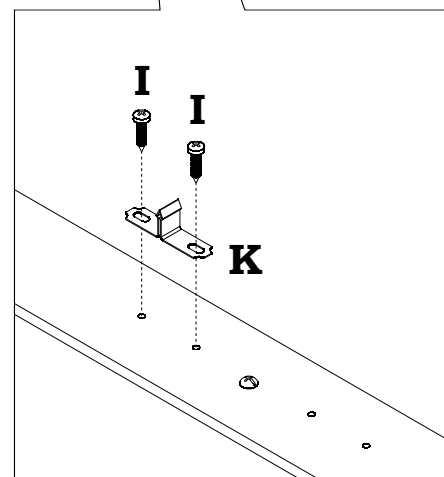
K  **01x**



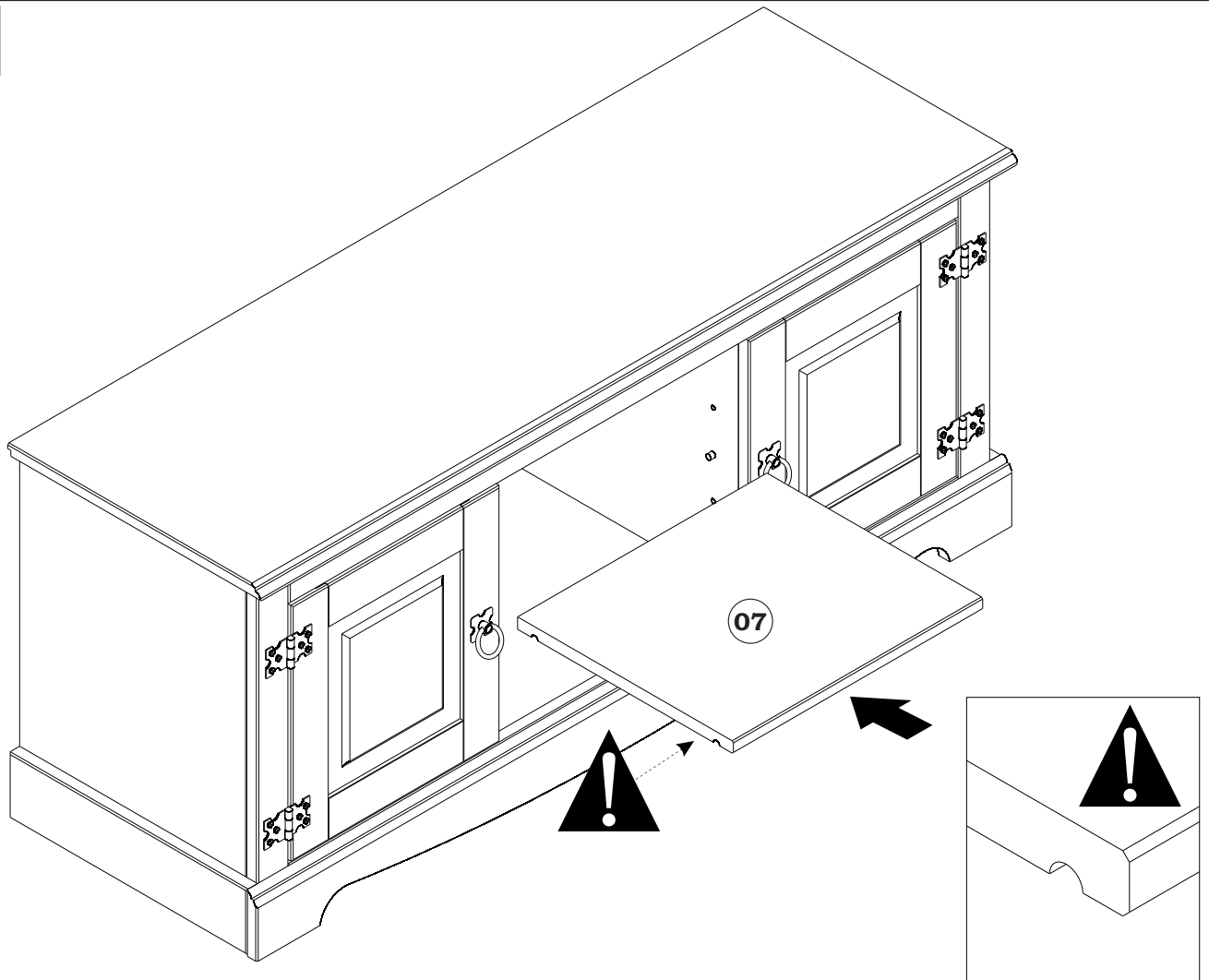
H  **02x**
black

F  **01x**
3/16"x5/8"

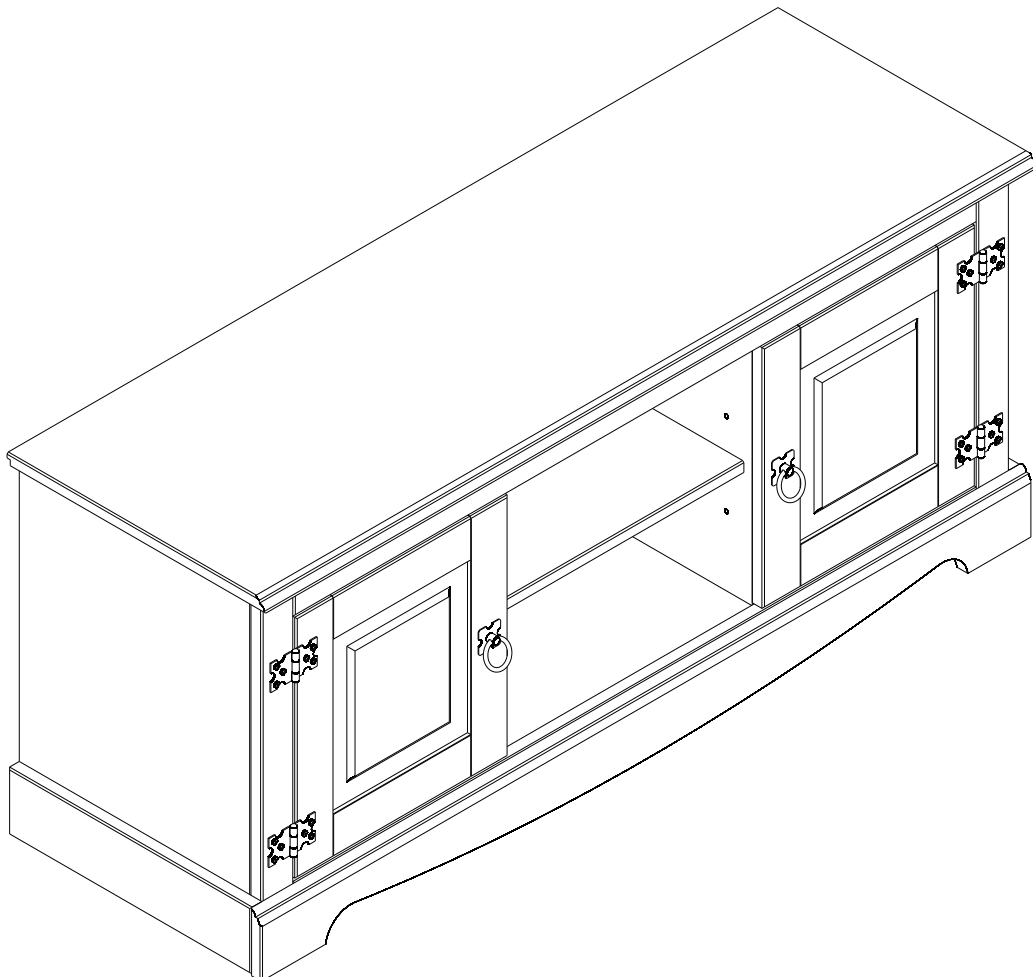
I  **08x**
Ø3,5x16mm

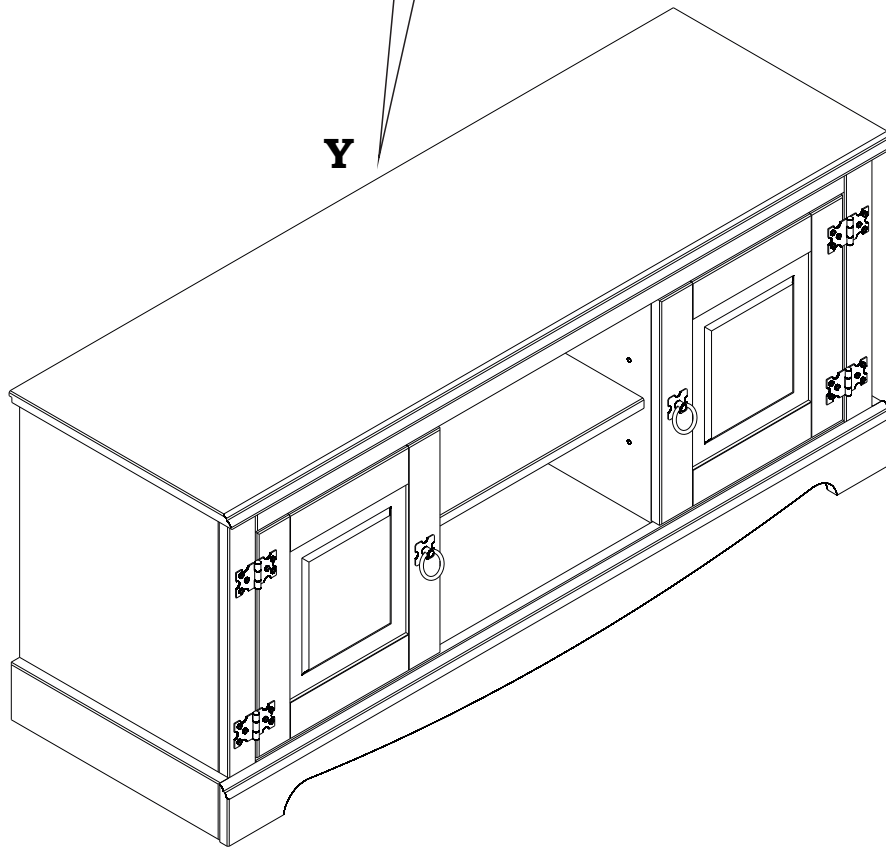
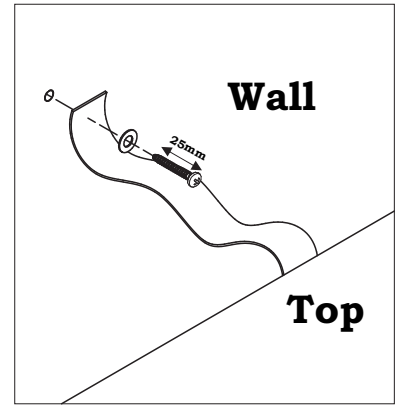
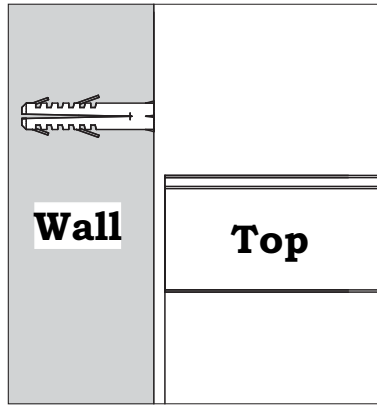
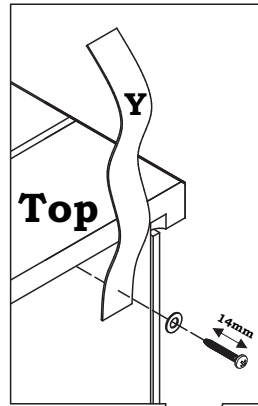
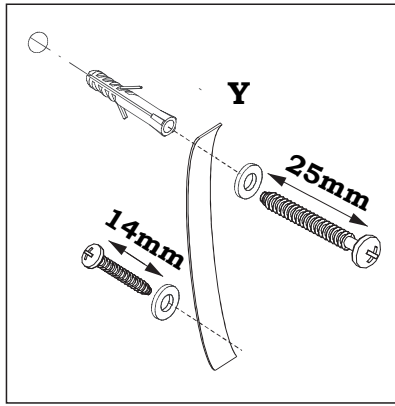


14



15



16**Y****01x**

WARNING: CHECK FOR HIDDEN PIPES AND CABLES BEFORE DRILLING.

IMPORTANT: IF YOUR WALLS ARE NOT SOLID LIKE BRICK OR STONE, YOU WILL REQUIRE SPECIALIST FITTINGS (NOT SUPPLIED).

- Place fixing strip against the wall and mark position for drilling hole.
- Drill hole in your wall to a depth of 30mm using a 6mm drill bit. If the surface of your wall is soft and crumbly, we would advise you to use a 5mm drill bit for a tighter fit.
- Insert the wall plug into the hole with end flush to the wall surface.
- Attach fixing strip to the wall using the 25mm screw + washer and securely tighten.
- Pre-drill small pilot hole on the back edge of the furniture top using a 2mm drill bit. Attach the other end of fixing strip to the back edge of the furniture top using the 14mm screw + washer and securely tighten.