

PRODUCT CARE HANDBOOK

a guide to protect your product

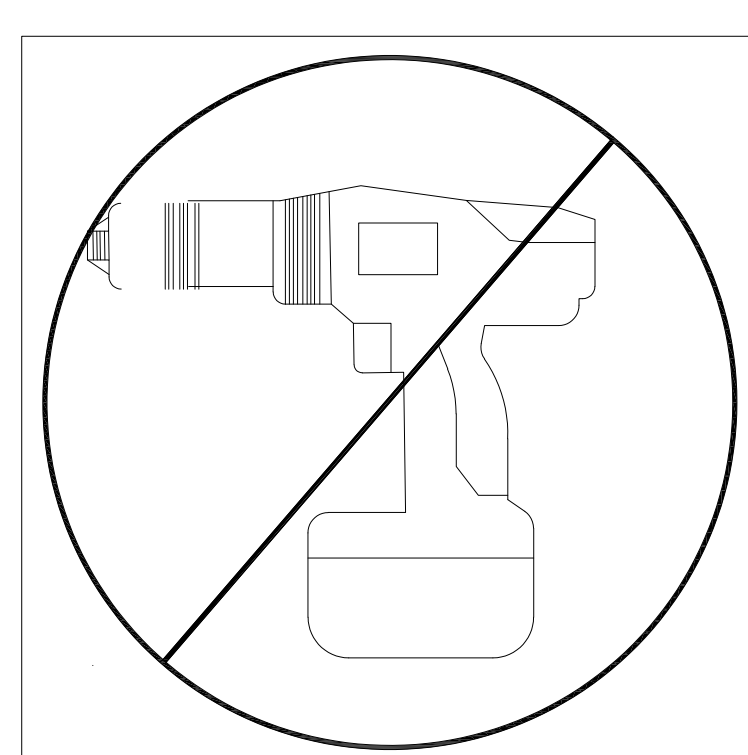


Thank you for purchasing this product. Please read these instructions fully before starting assembly, then follow the simple step by step guide.

TOP TIPS BEFORE YOU START!

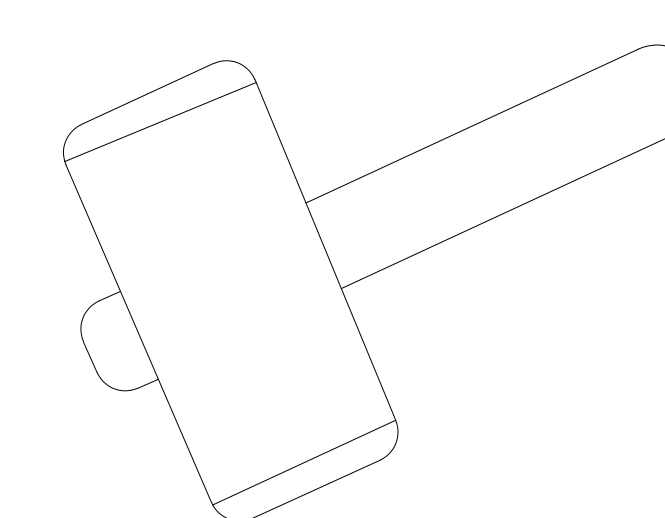
1. Please check that all parts & hardware are present before you start the assembly of your furniture. Do not destroy any of the packaging until your are certain that you have all thenecessary parts for assembly.
2. To ensure a smooth installation , we recommend that before you commence each step of the assembly, please identify all the parts required for that step.
3. We recommend that where possible, all items are assembled near to the area in which they will be placed in use, to avoid moving the product unnecessarily once assembled.
4. For the protection of your furniture, particularly items of high gloss finish, we recommend that the product is placed on a protected surface during assembly to prevent any damage.
5. During assembly, please take care not to over-tighten any fittings, as this may damage the product.
6. Keep children and animals away from the work area. Small parts could cause choking if swallowed.

Tools Required For Assembly

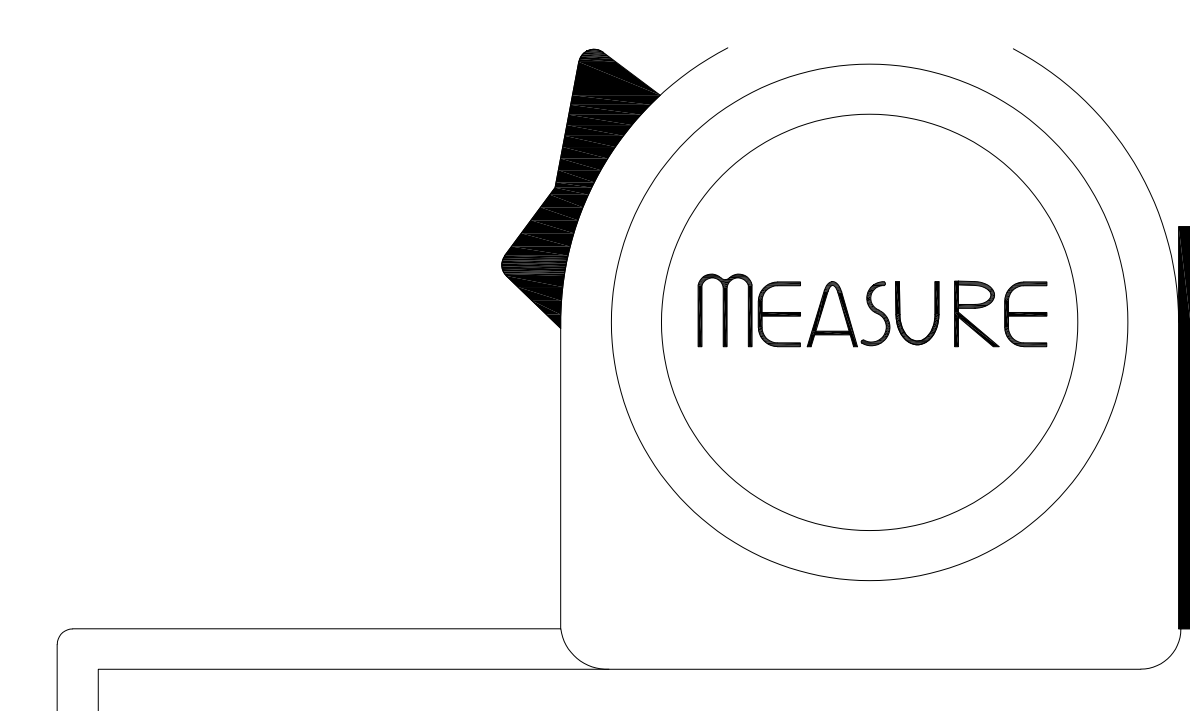


DO NOT USE POWER TOOLS TO ASSEMBLE THIS PRODUCT. USE OF POWER TOOLS WILL INVALIDATE ANY CLAIM AND MAY DAMAGE THIS PRODUCT MAKING IT UNSAFE.

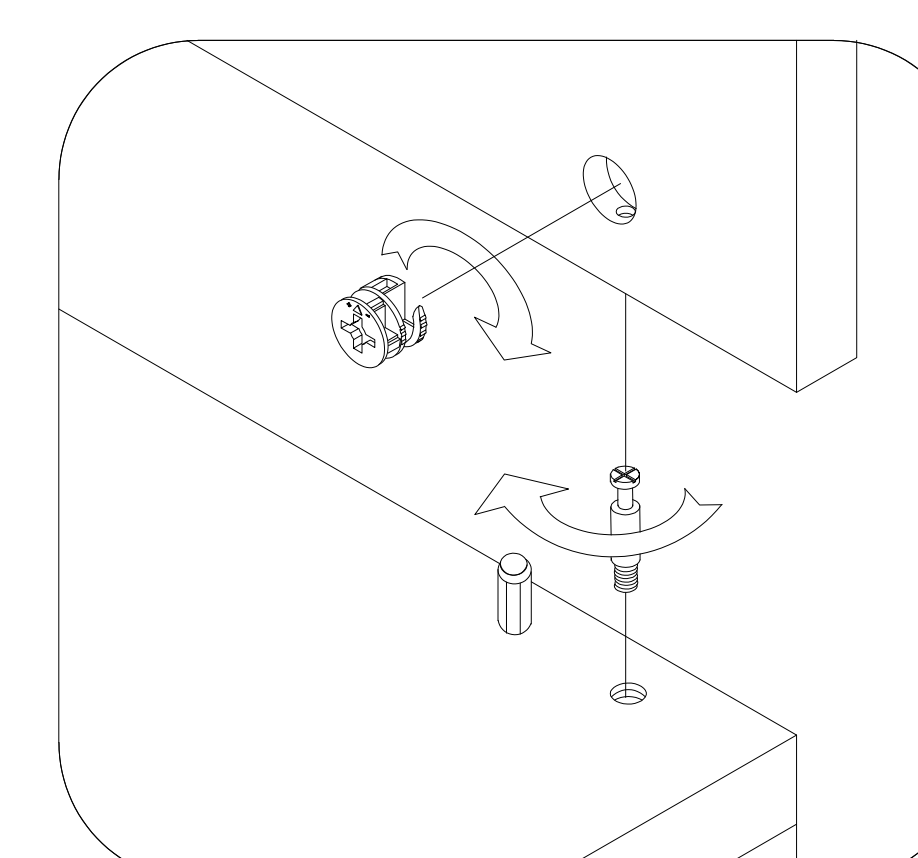
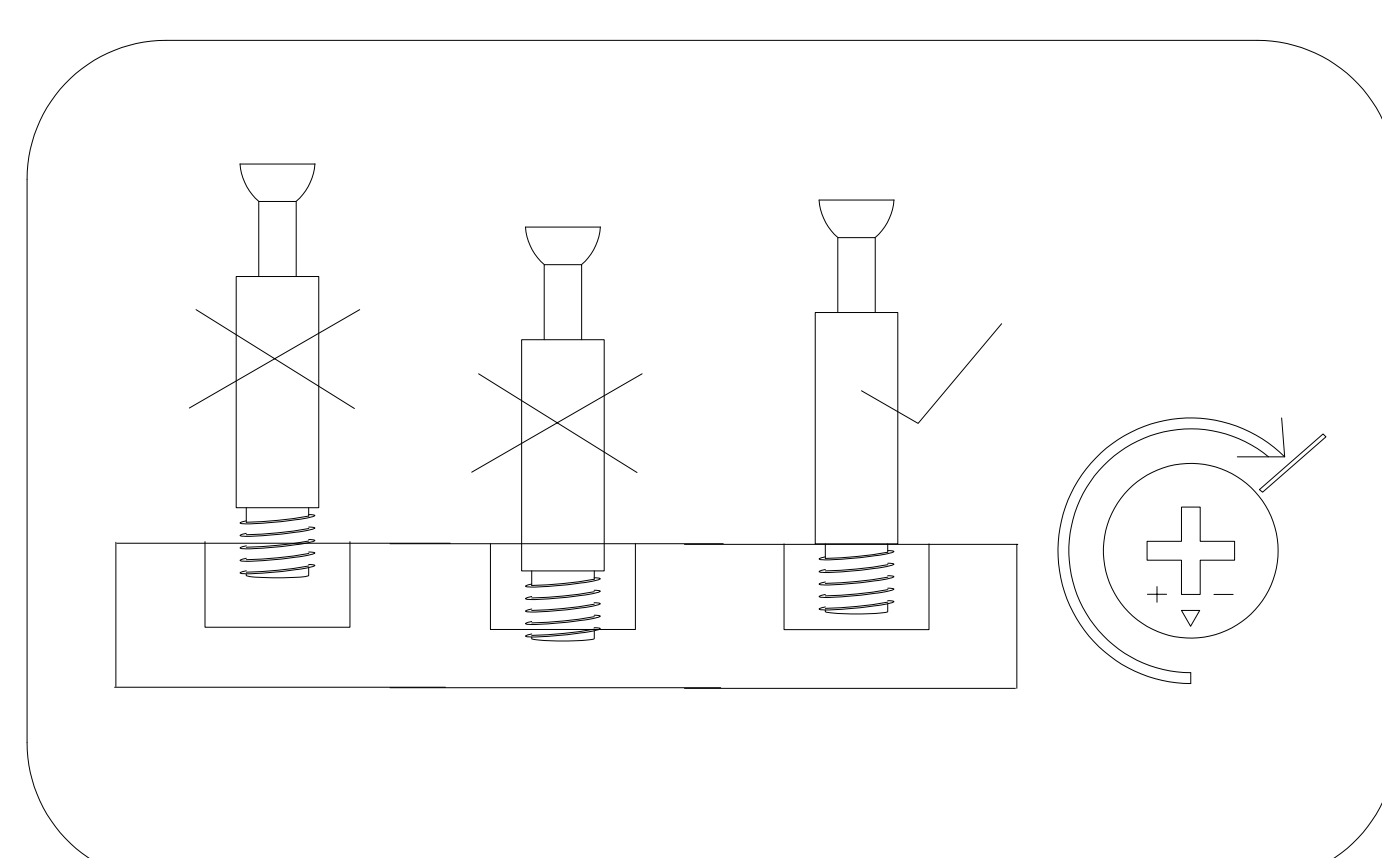
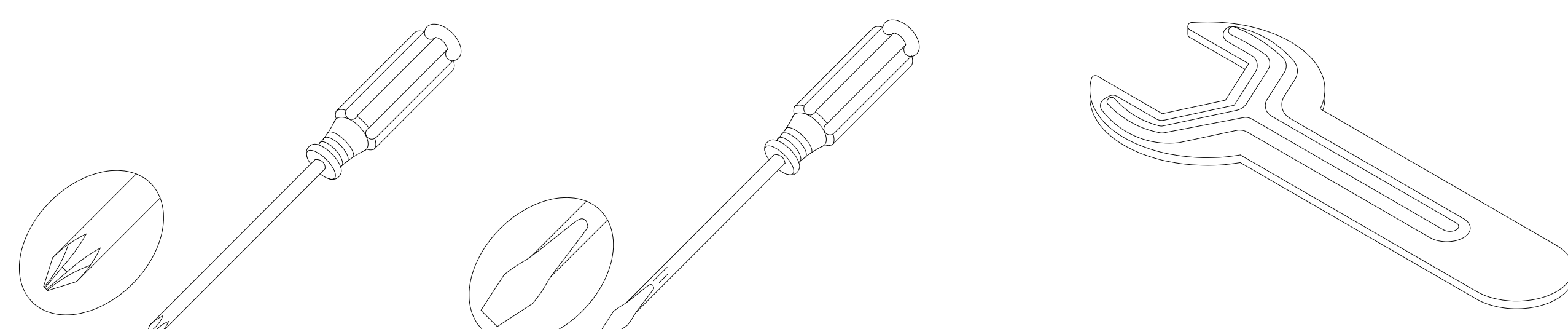
Rubber Hammer

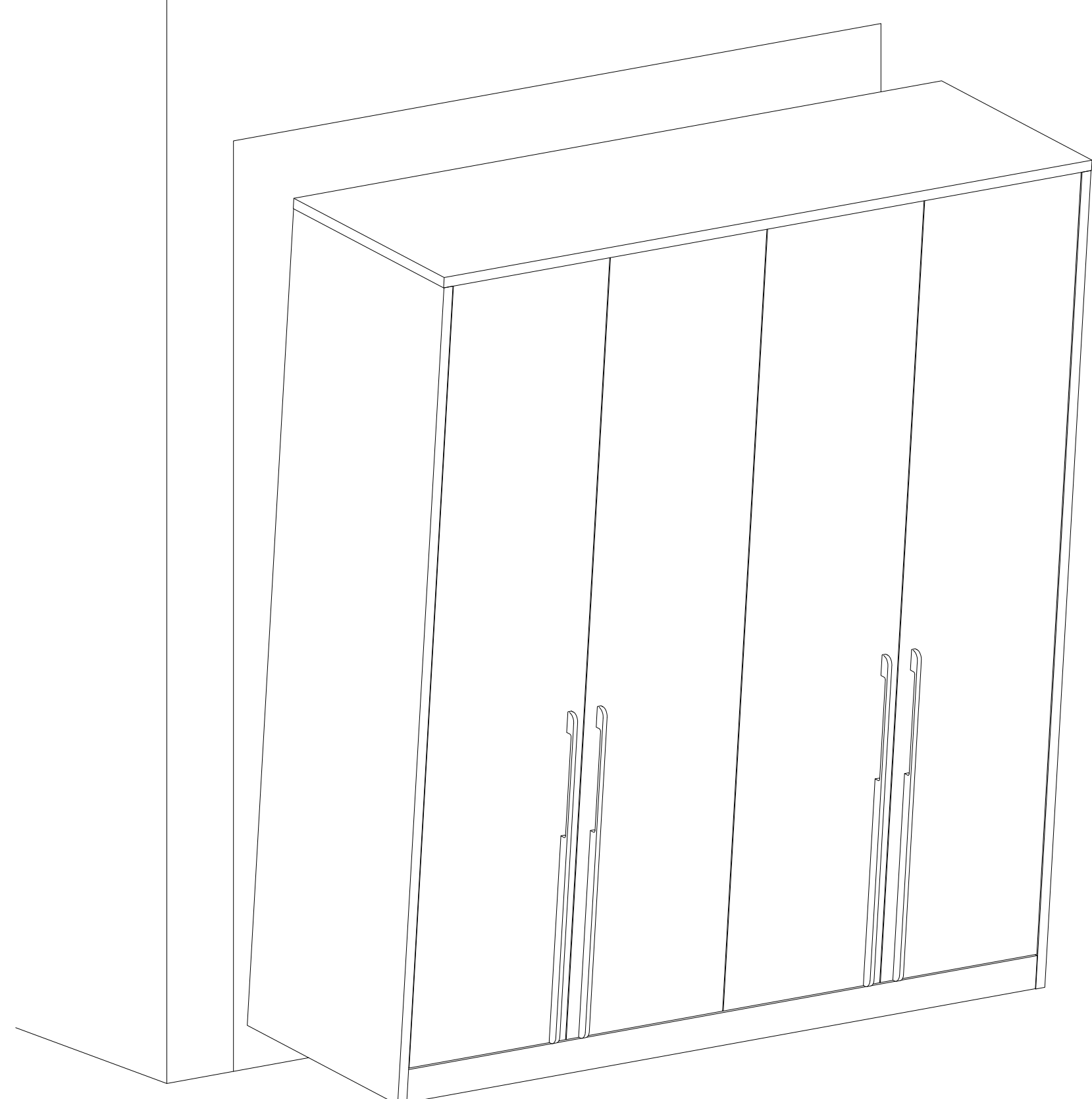
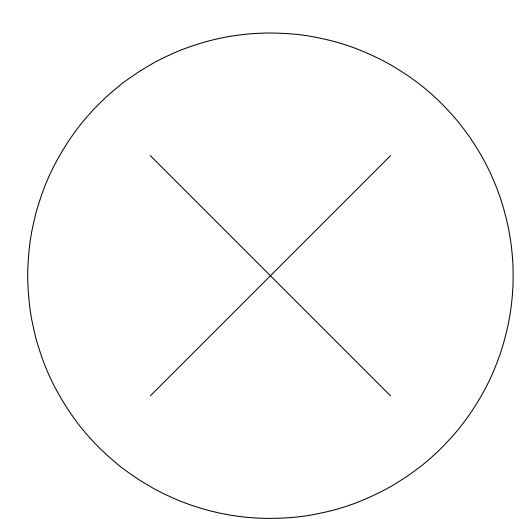
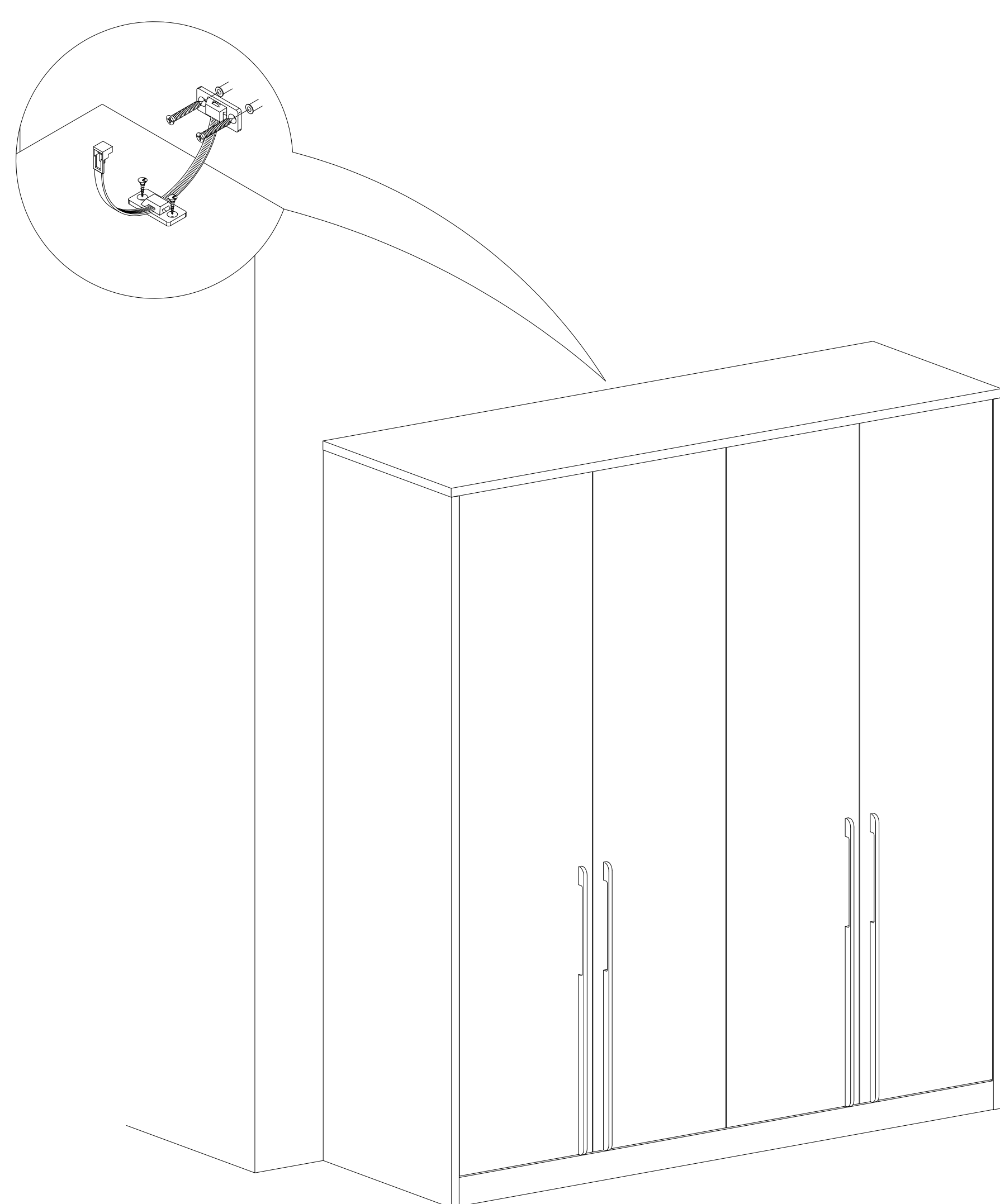


Tape Measure

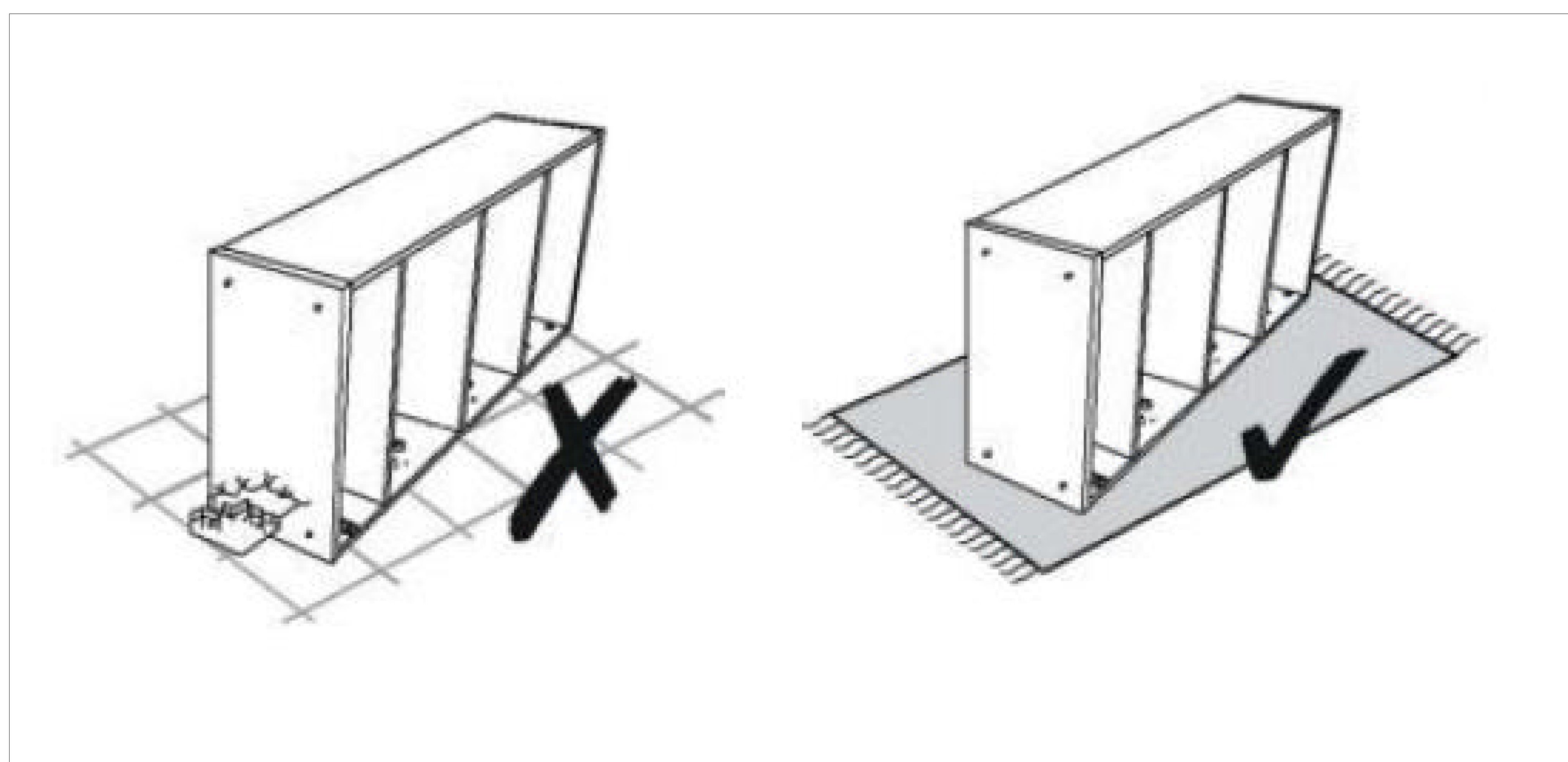
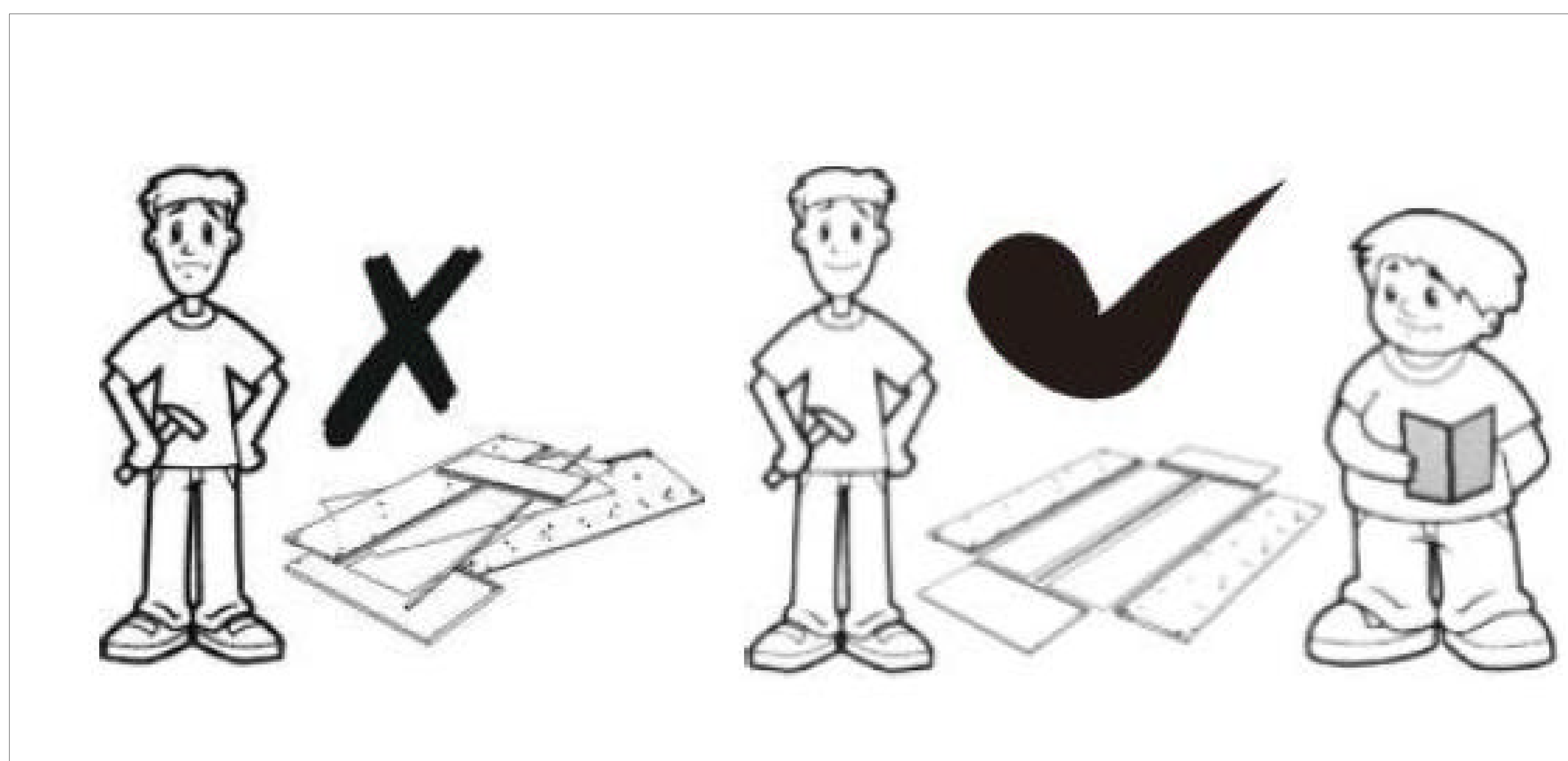


Self-provided universal tool diagram:



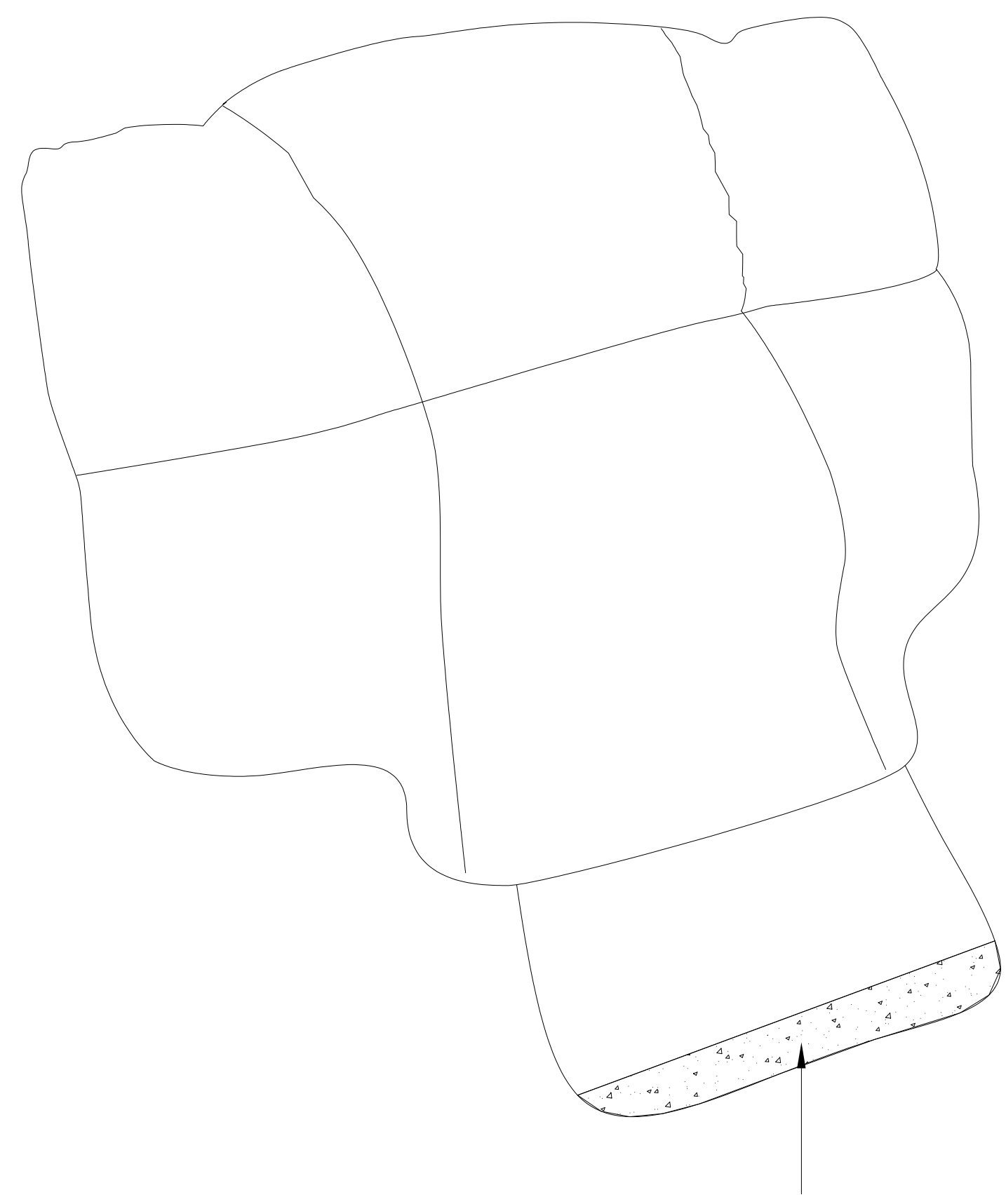


matters needing attention

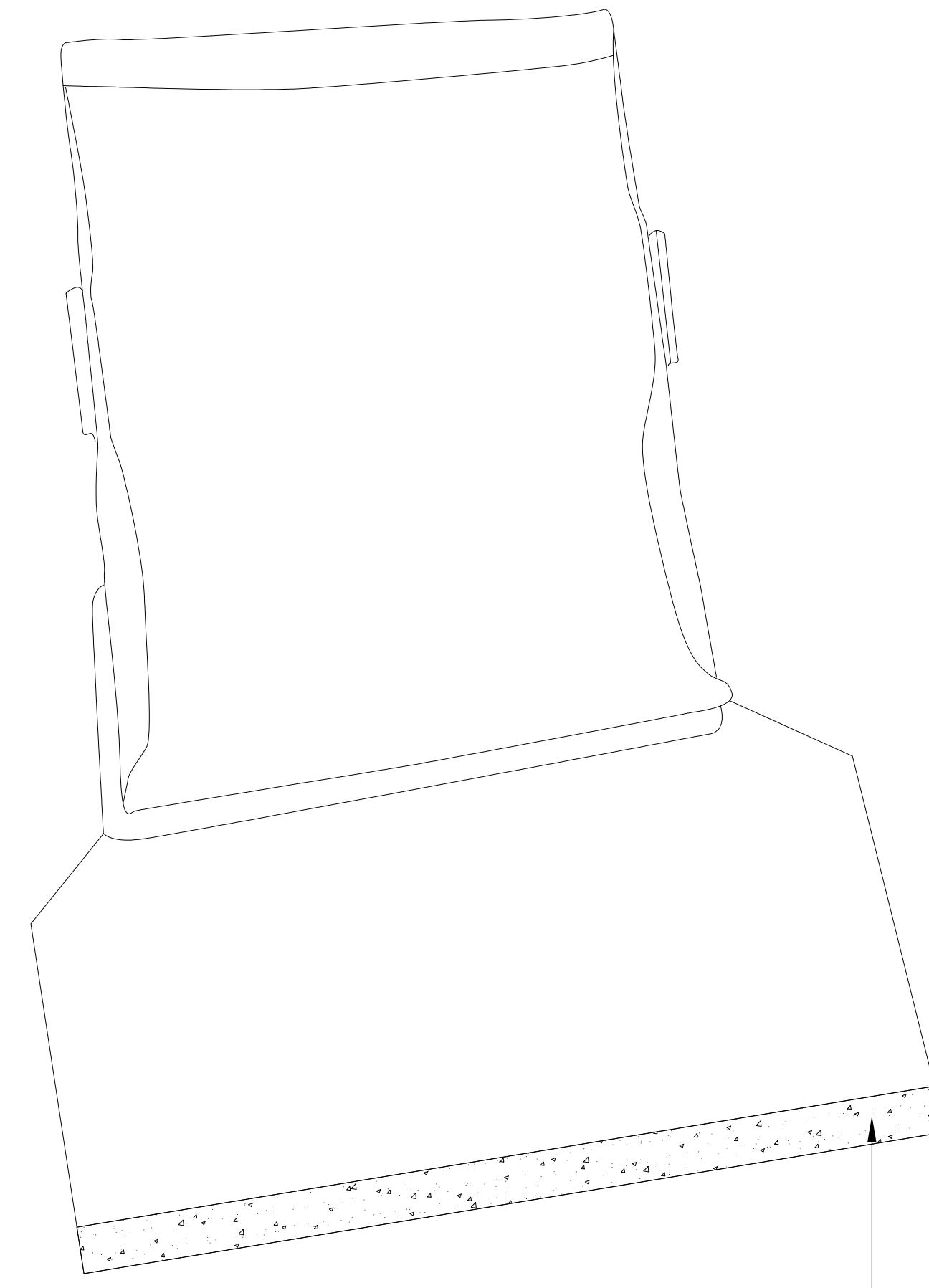


PARTS AND ACCESSORIES

Avoid using sharp objects such as a knife to cut open packing as you may accidentally damage the upholstery.



Note: Velcro attaches to the back edge of the cushion.

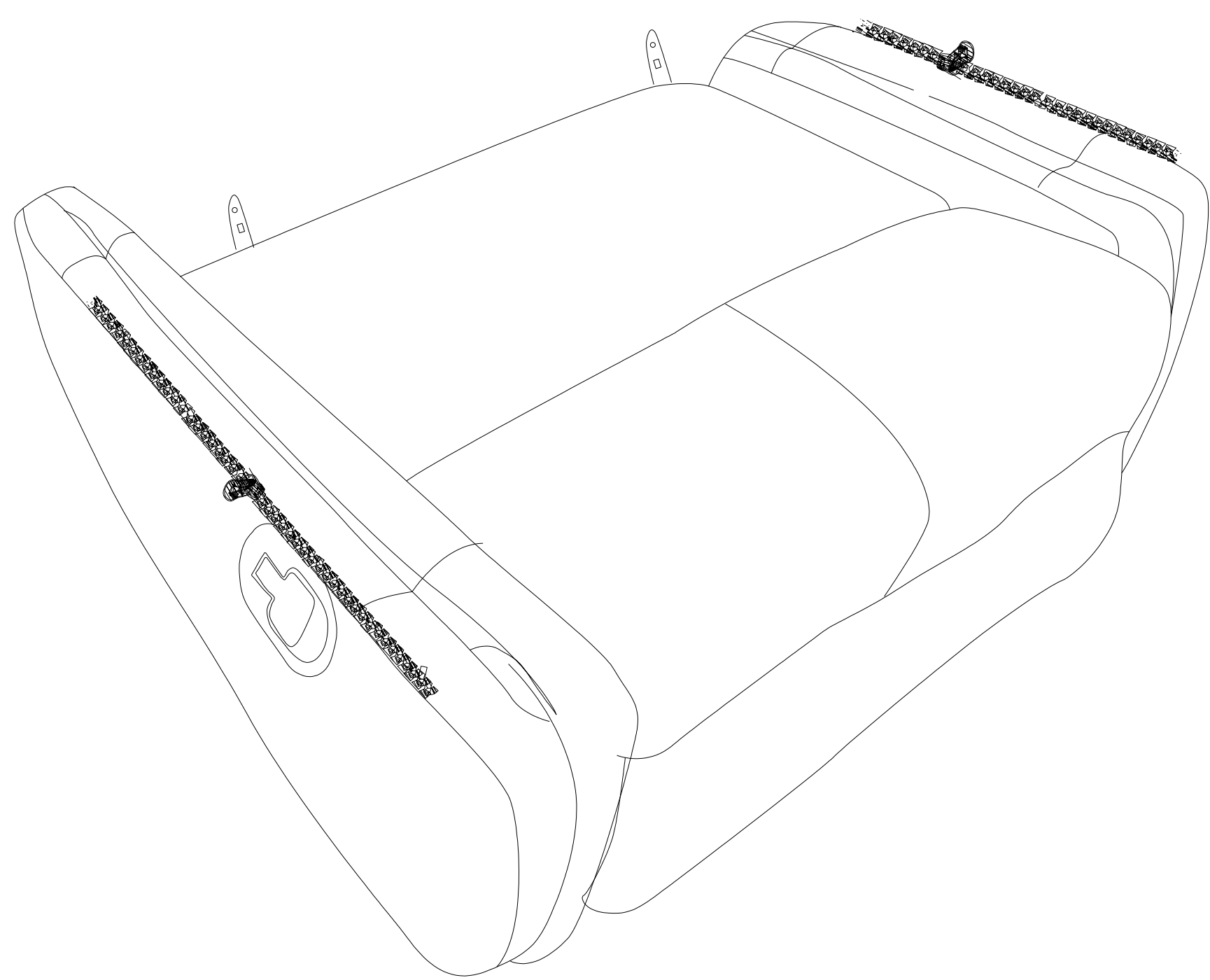


Note: Velcro attaches to the bottom edge of the frame.

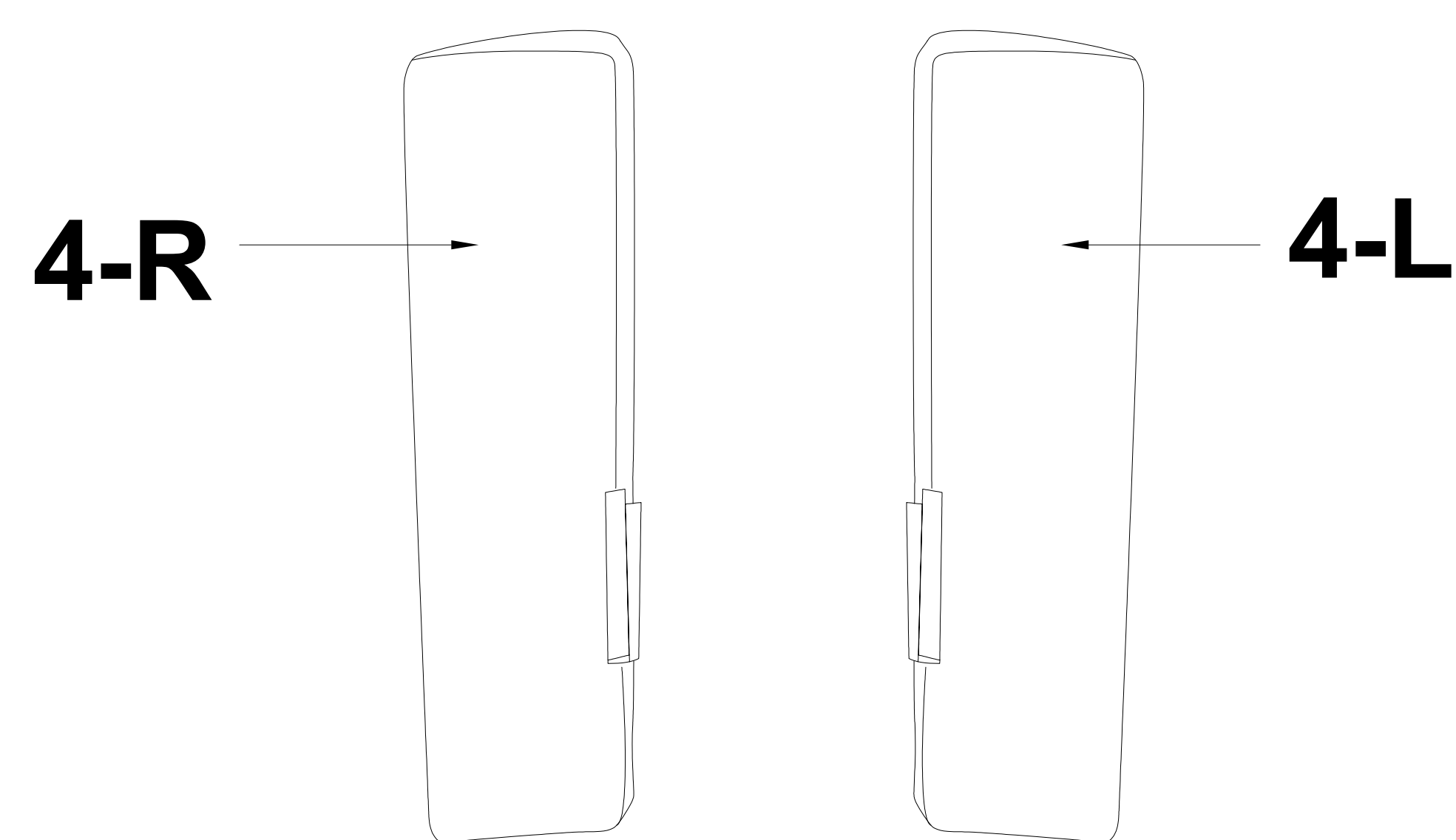
The backrest you received has been vacuum-packed. Open the plastic bag and take out the backrest, make it recovery. knead it, make it more fluffy.

① Back Cushion * 1pc

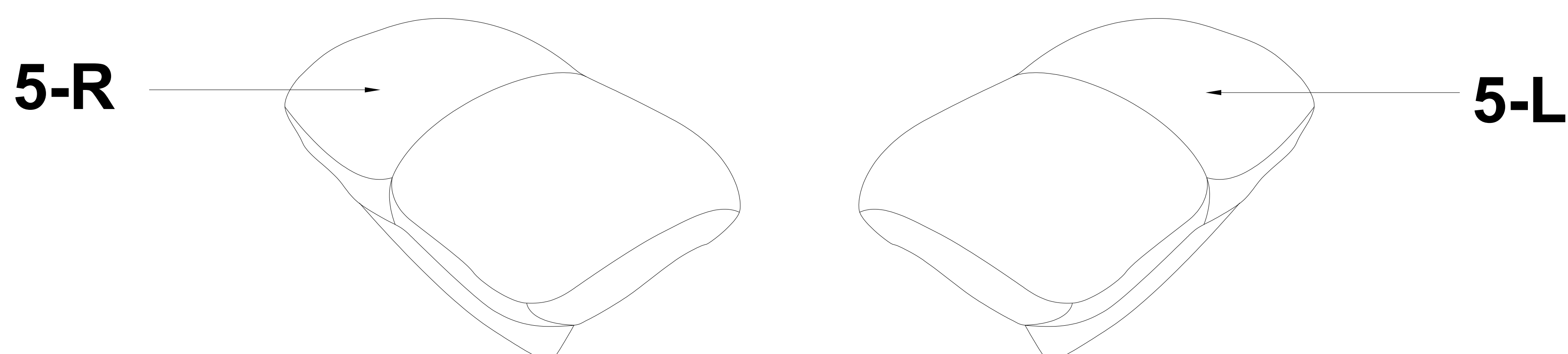
② Back Frame * 1pc



③ Seat* 1pc



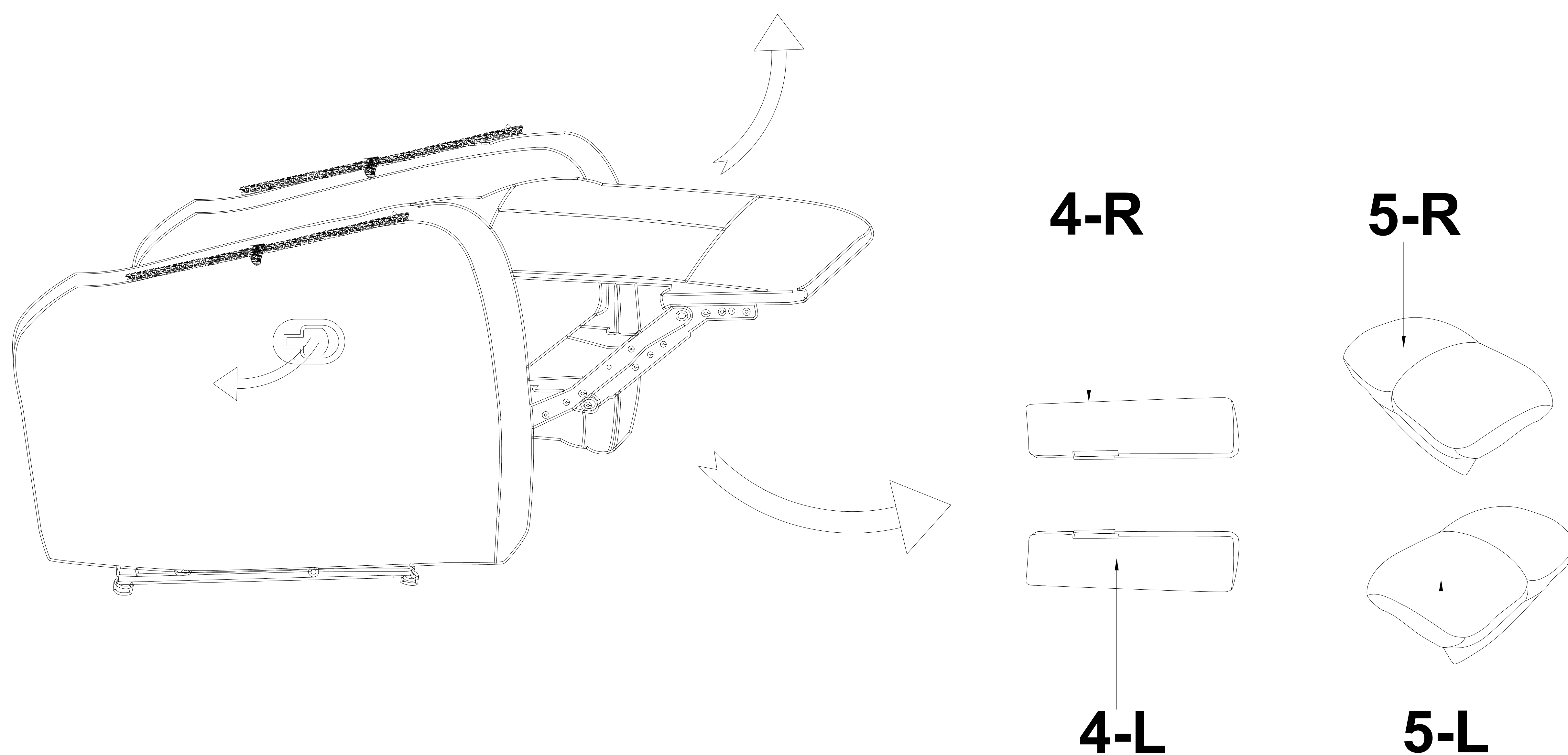
④ Backrest Ear Part * 2pcs



⑤ Armrest pillow R&L * 2pcs

Functional Sofa - Assembly Steps

Step 1

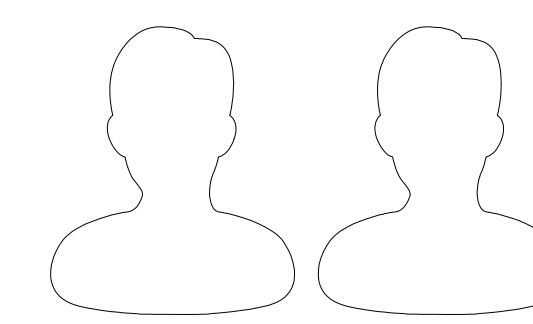


Before assembly, please turn on the switch on the right side of the armrest to open the front foot guard, and then remove the **Backrest ear parts and Armrest pillow** from under the seat.

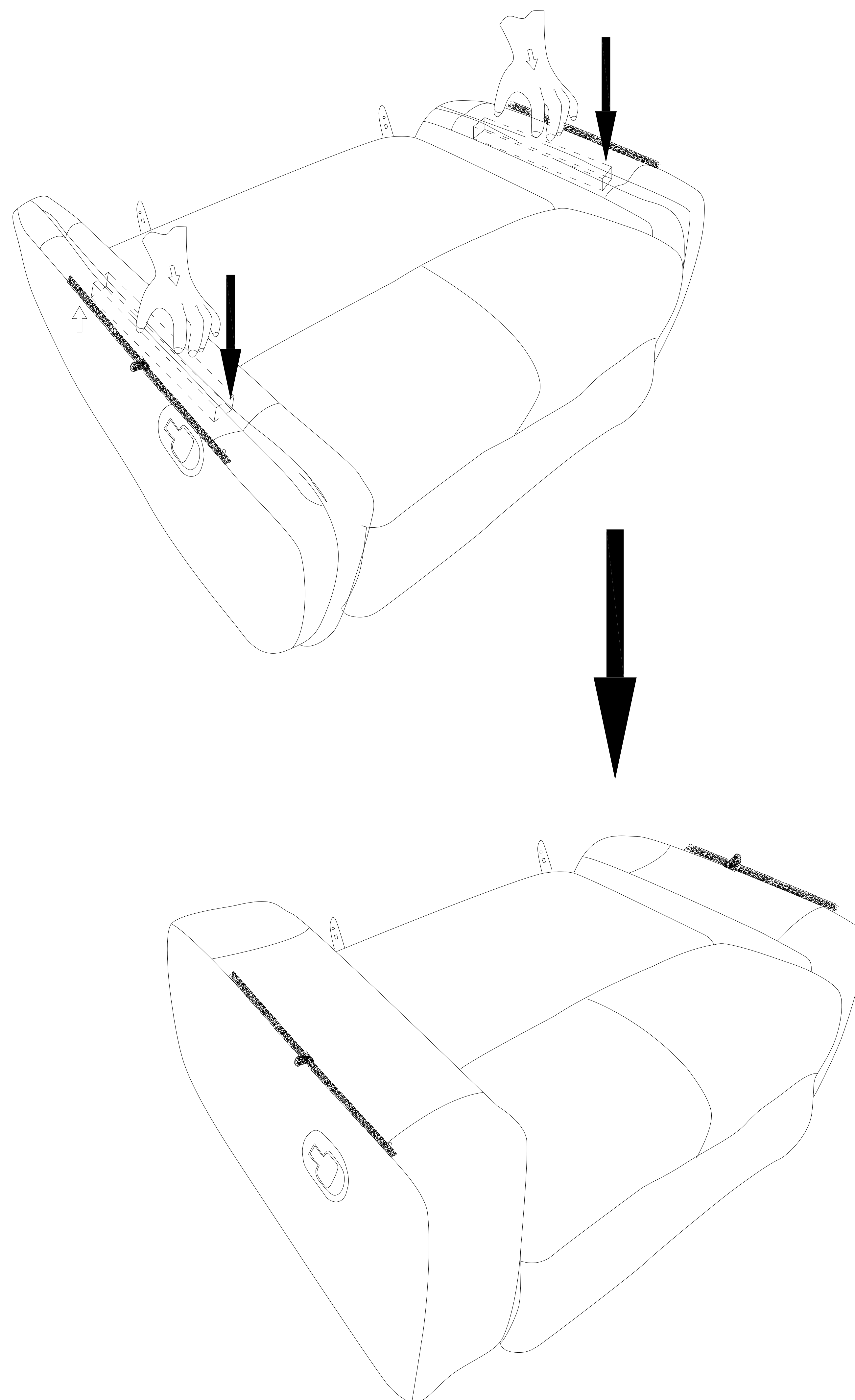
Step 2

ASSEMBLY INSTRUCTIONS

CAUTION: At least two adults are required to safely complete performing this task.

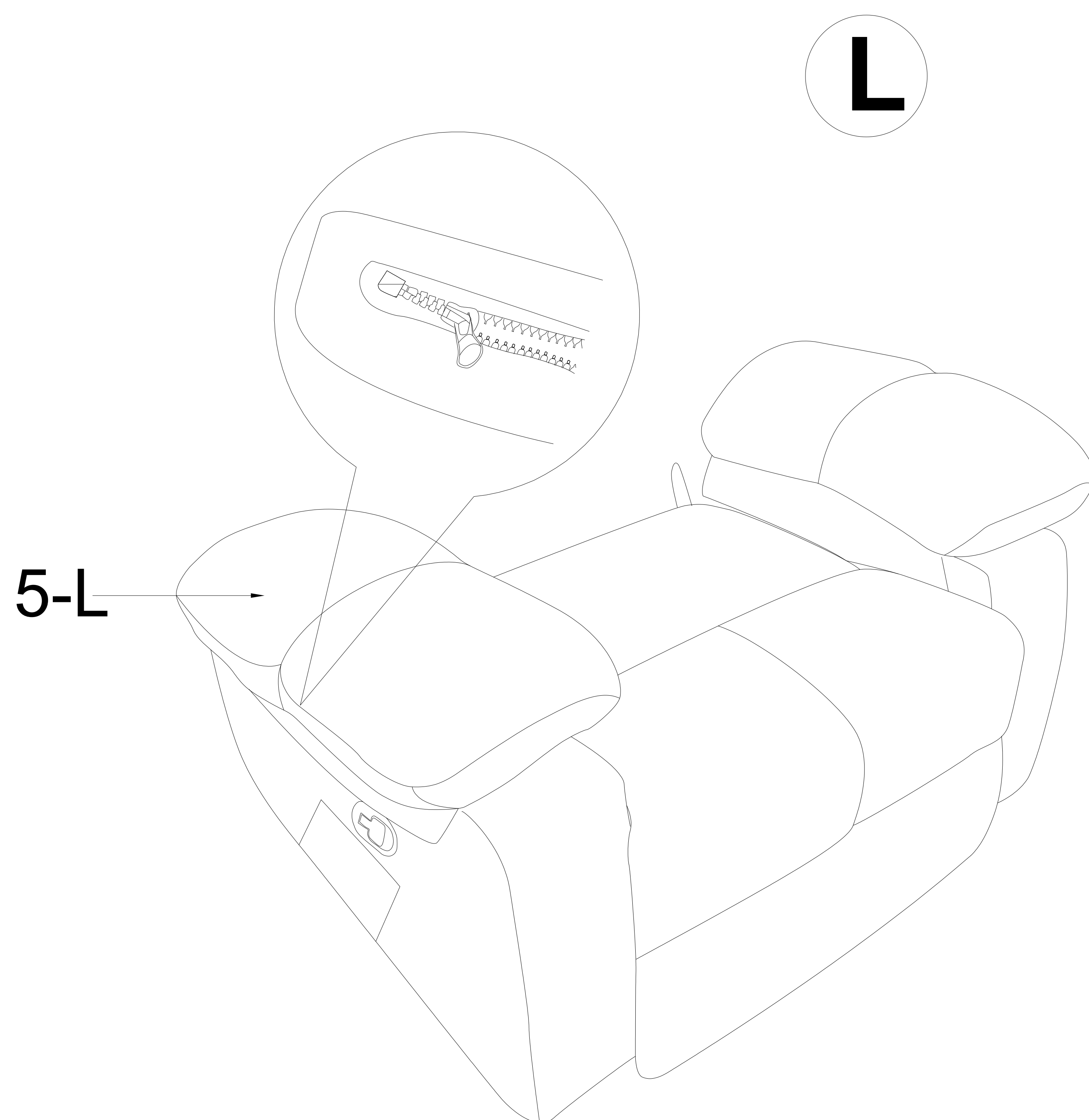


Other lifting attempts may risk back injury due to large and heavy part(s)



- 1.** Fix the width of the armrest by pressing down with your hand on the wooden strip hidden underneath the black non-woven fabric.

Step 3



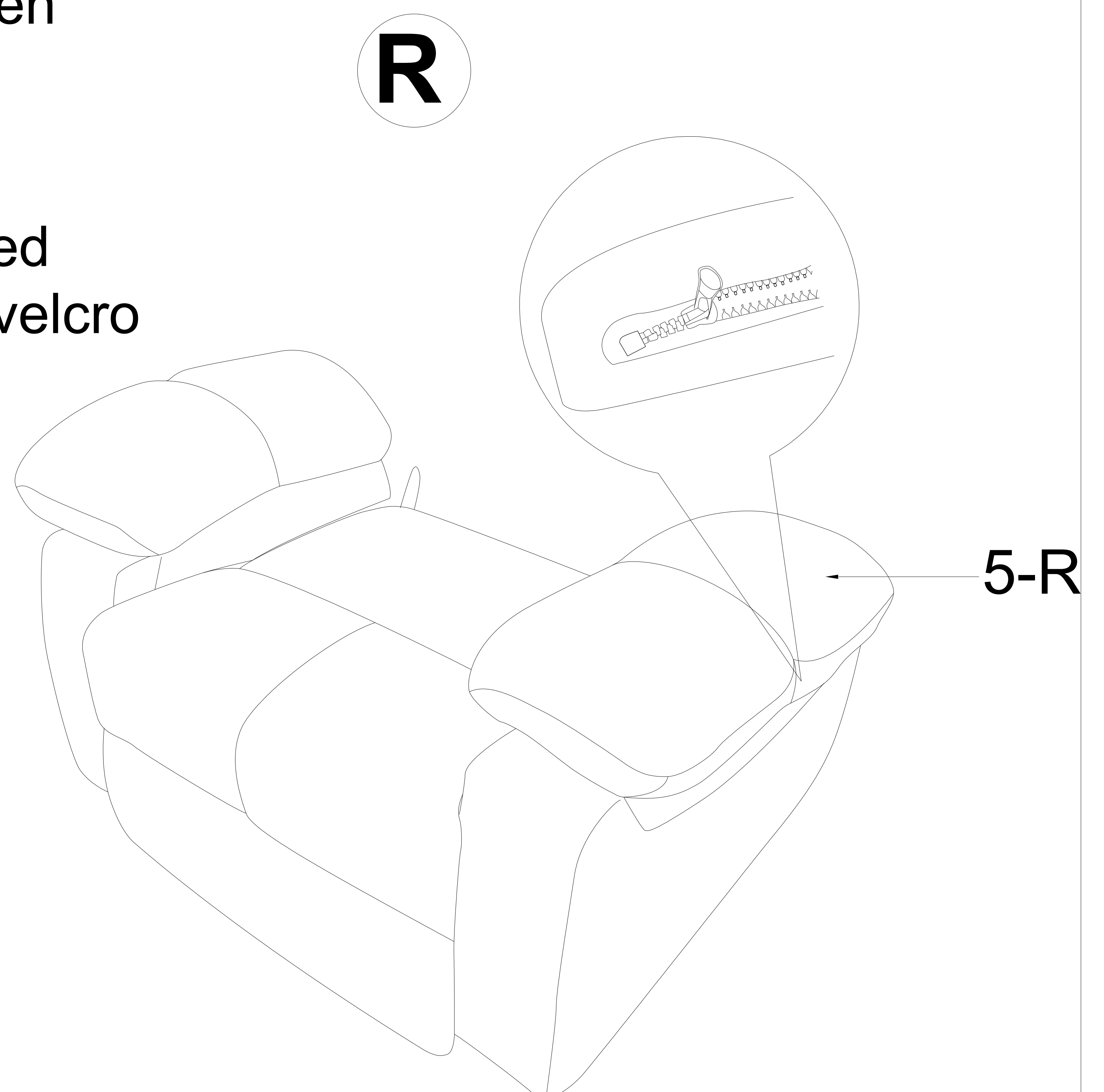
- 2.** Pull the zipper of the armrest pillow 5-L onto the wooden frame L

***NOTE:** After the 3 is installed in place, align and stick the velcro on the bottom.

Step 4

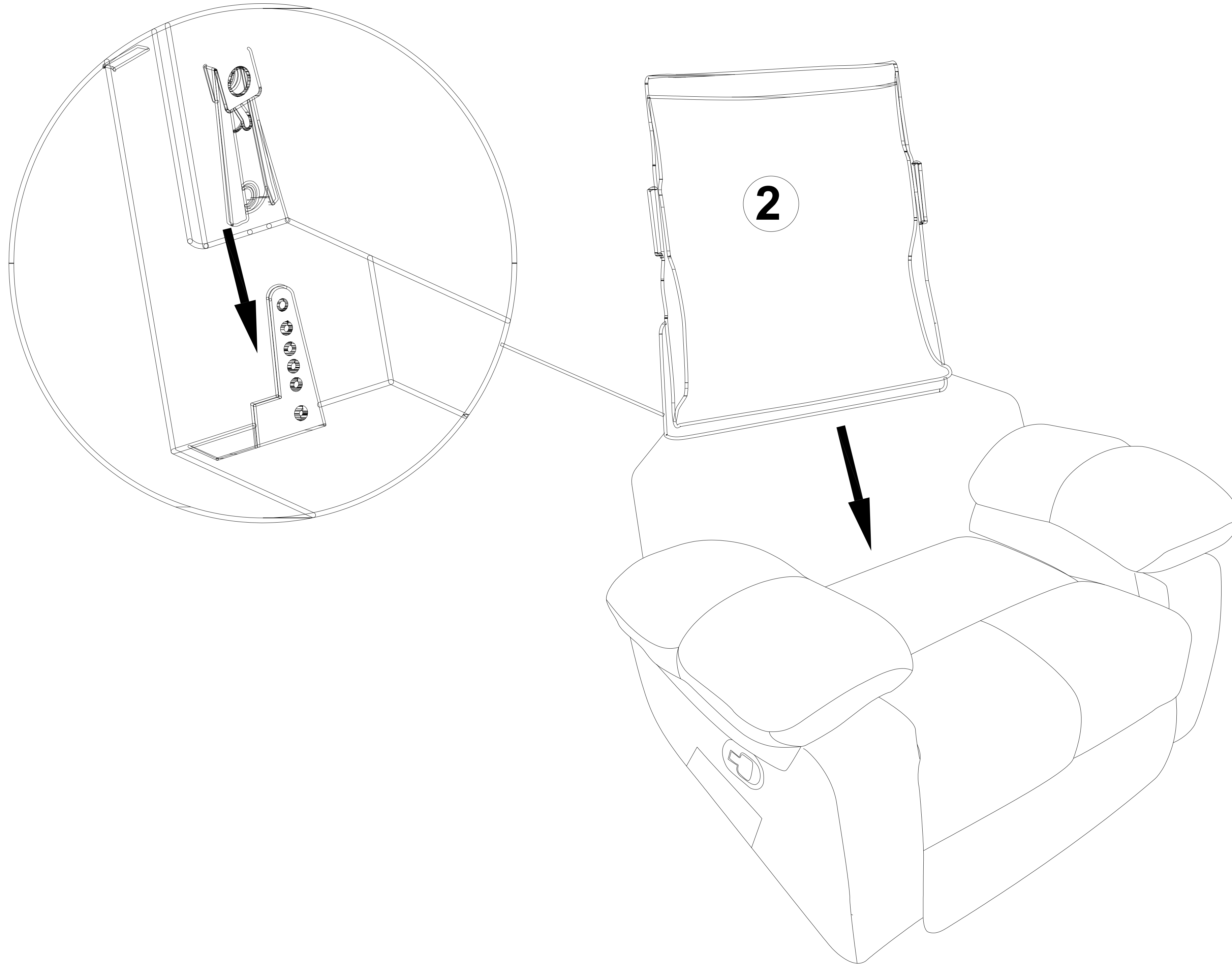
- 3.** Pull the zipper of the armrest pillow 5-R onto the wooden frame R

***NOTE:** After the 3 is installed in place, align and stick the velcro on the bottom.



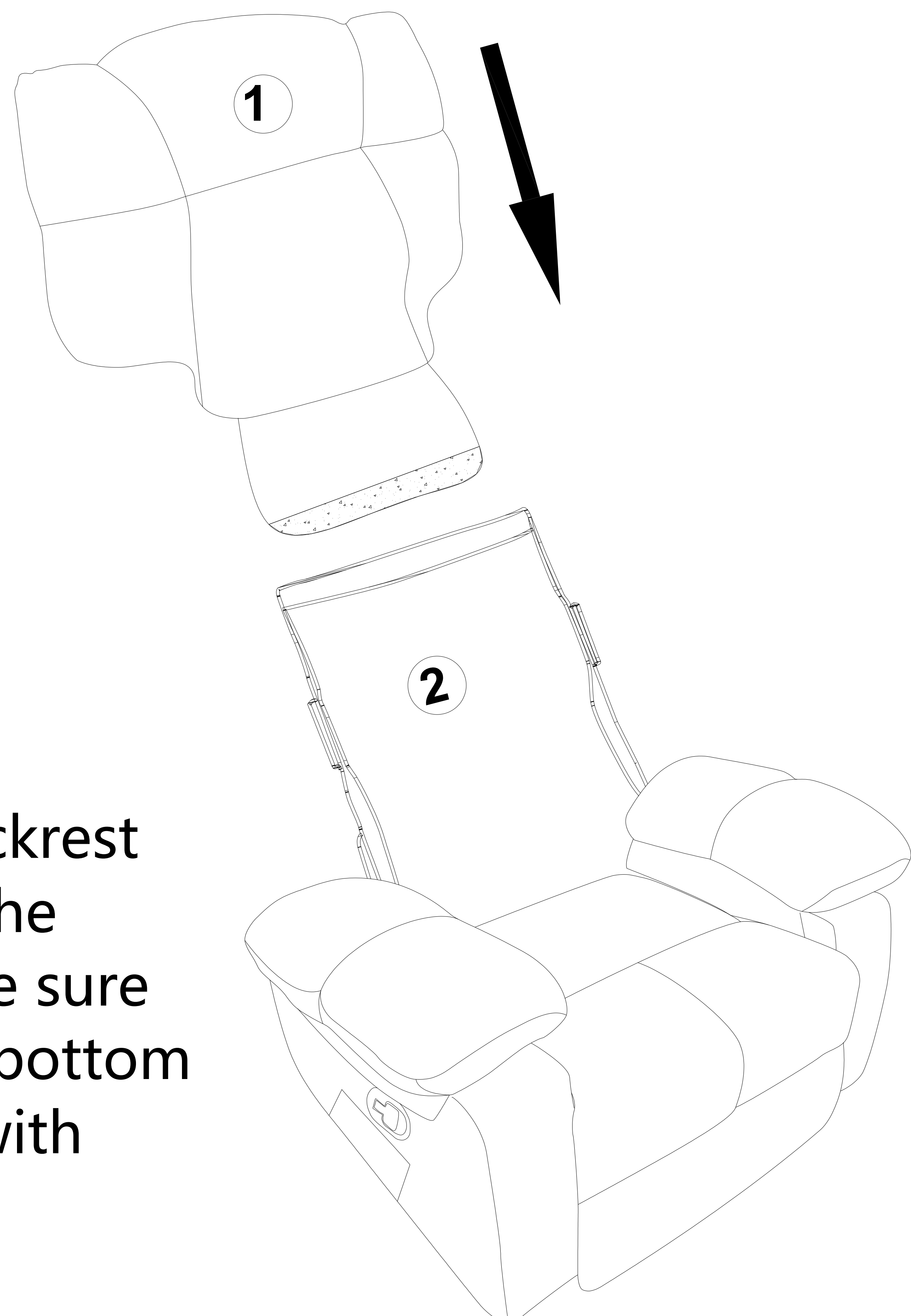
Step 5

- 4.** Note: For iron frame backrests, please align the snap-in hardware inserts and press them in evenly downward.

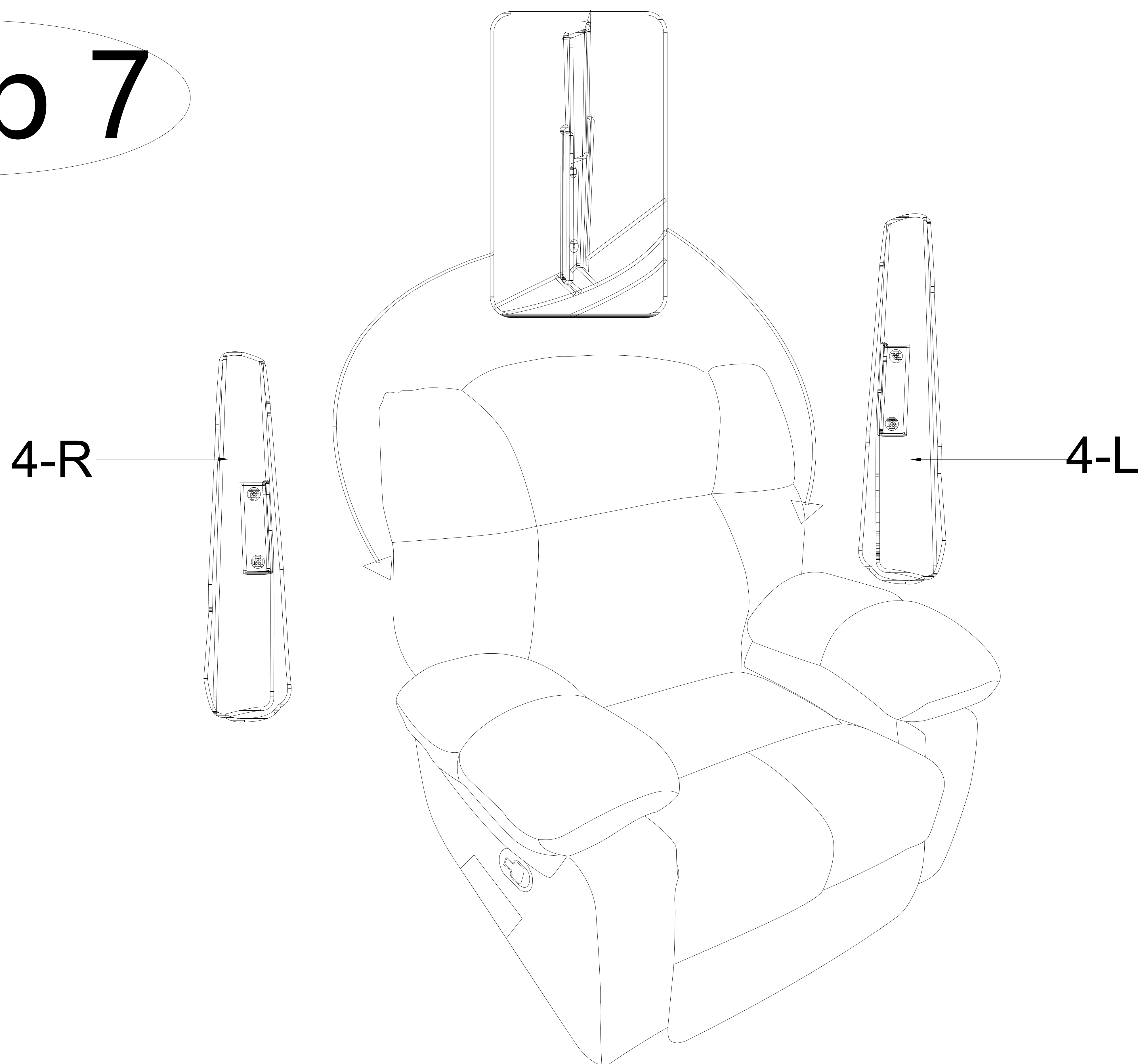


Step 6

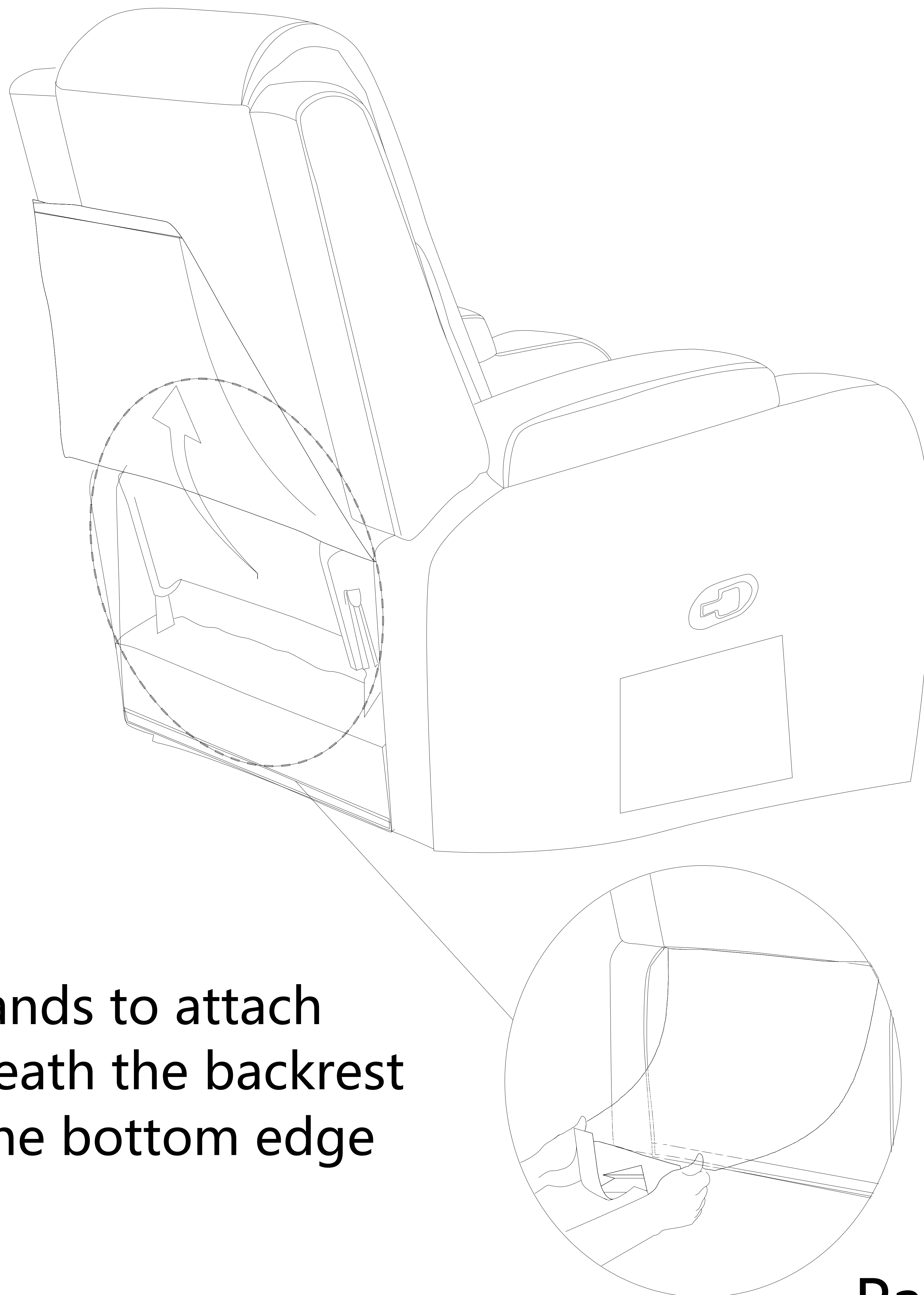
- 5.** Note: Insert the bag into the backrest of the iron frame, as shown in the picture on the right, please make sure the position is correct, and the bottom of the velcro should be pasted with the back edge of the cushion.



Step 7

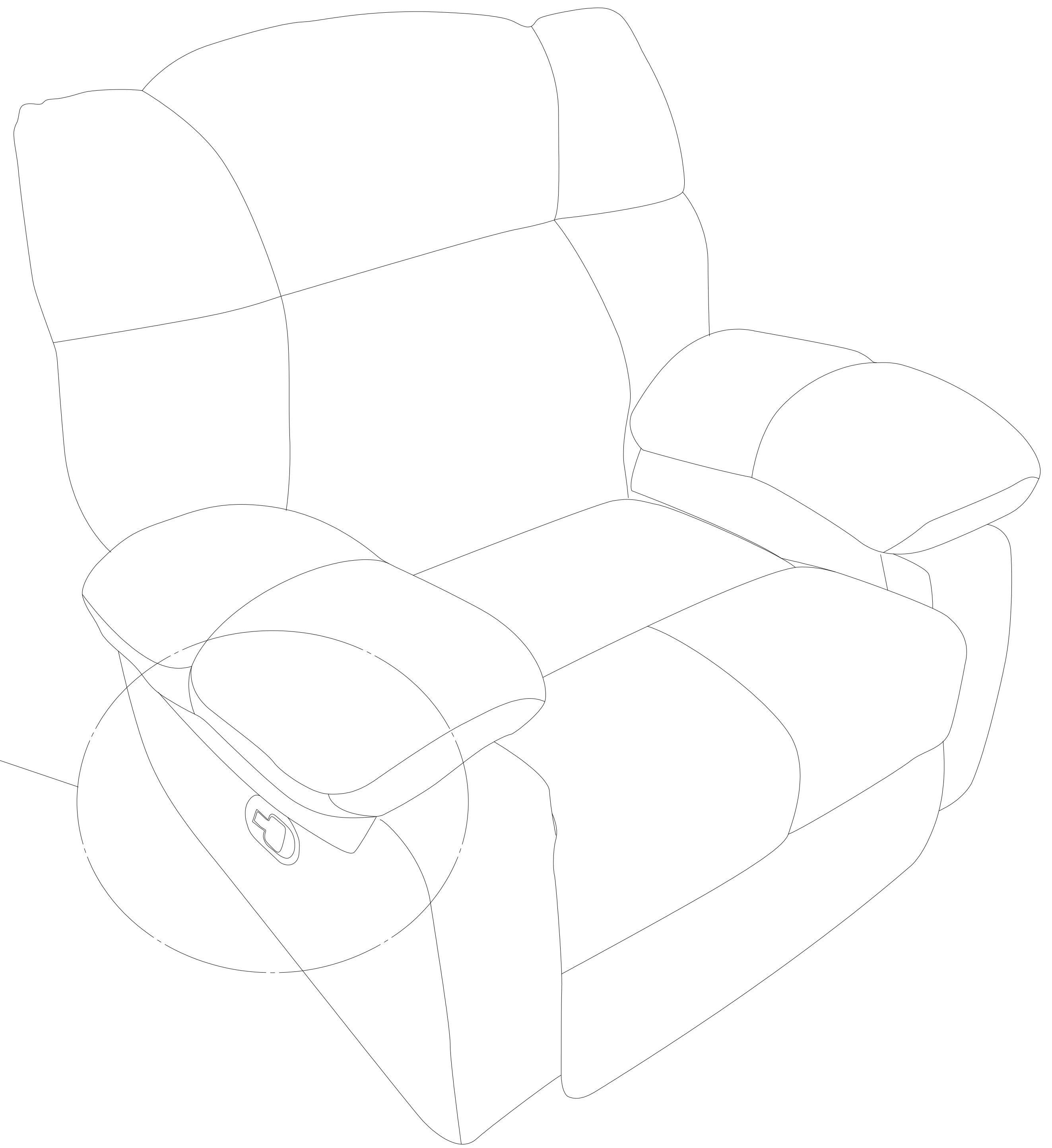
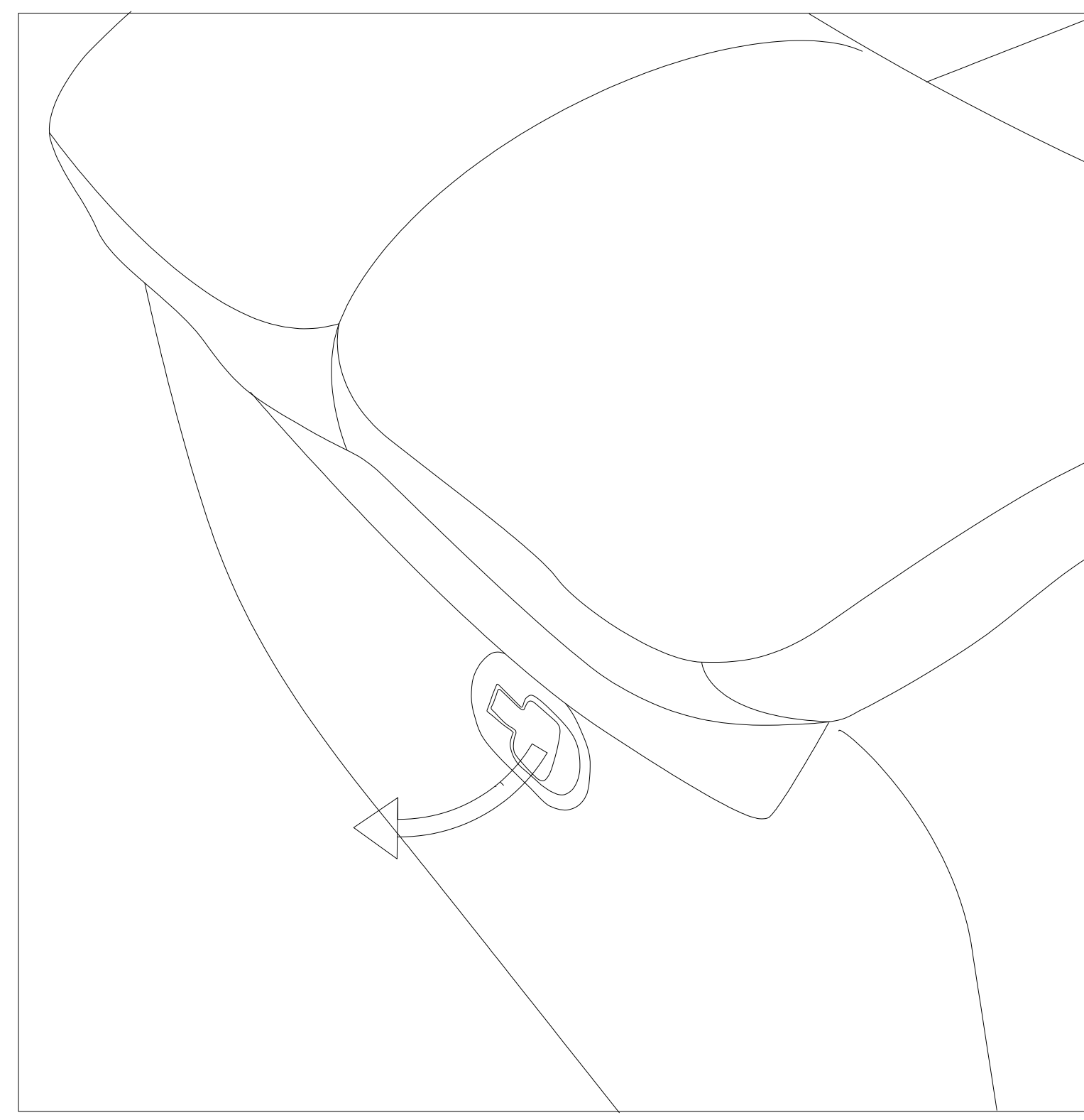


Step 8



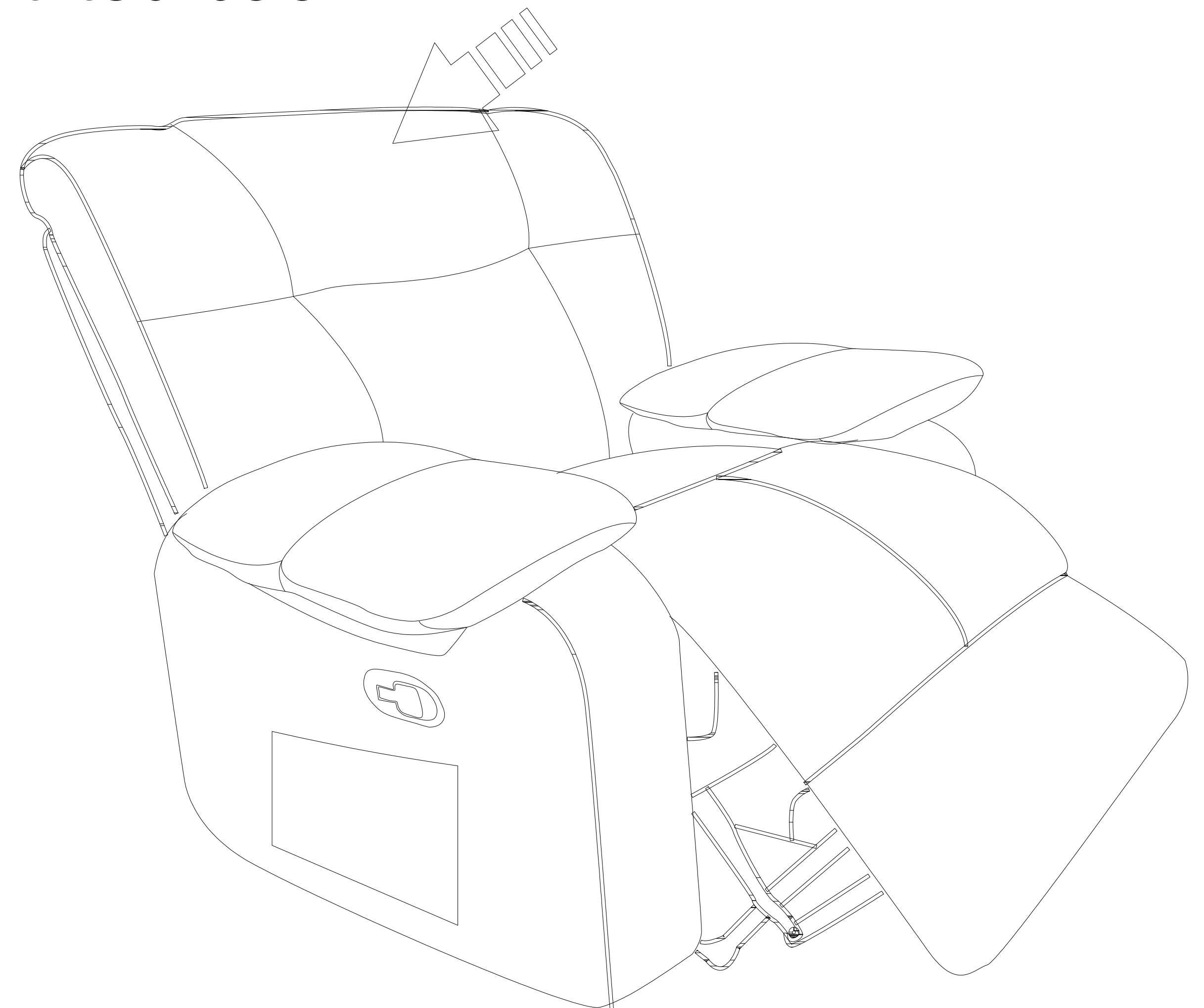
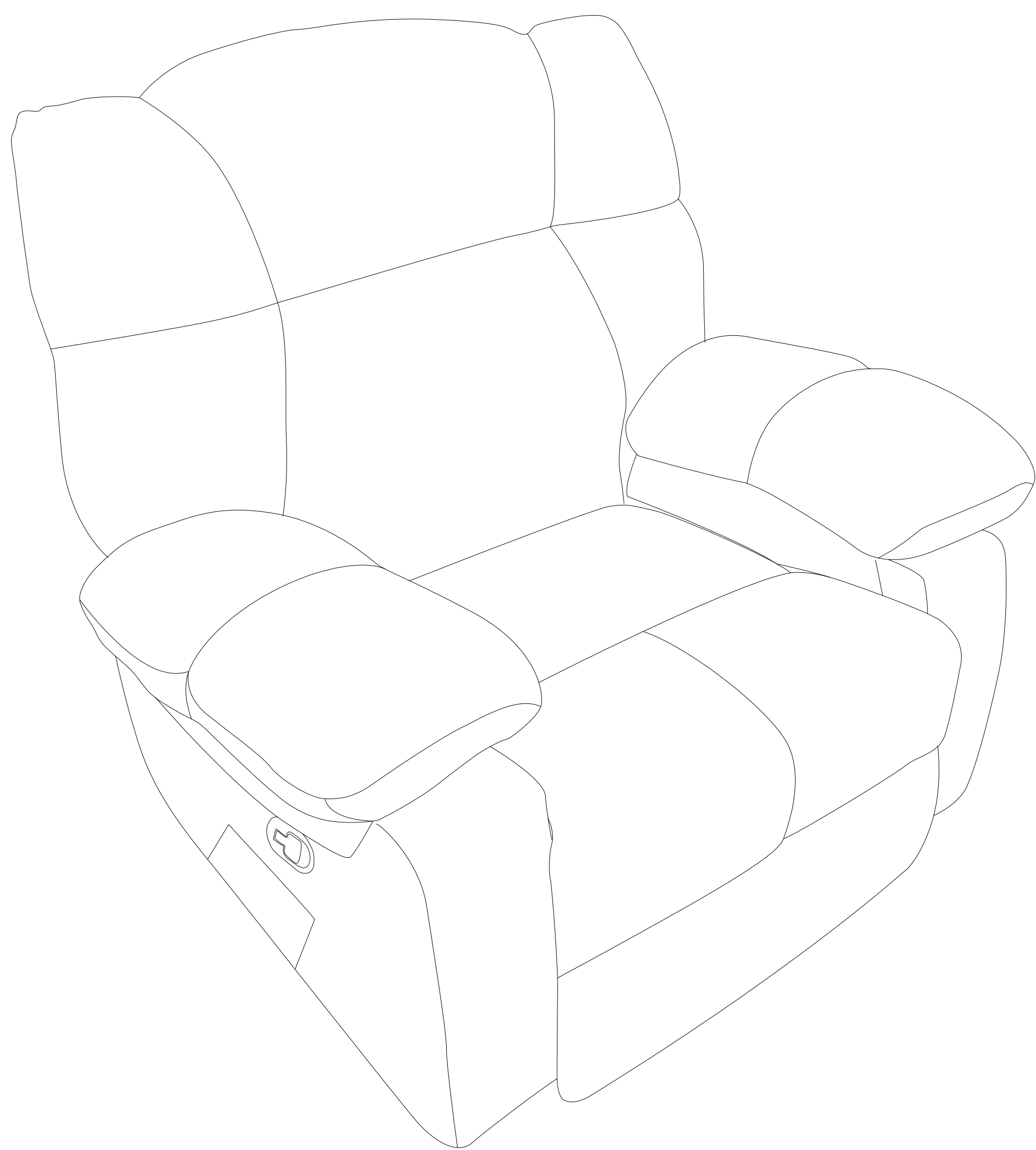
- 6.** Note: Use both hands to attach the cloth underneath the backrest of the frame to the bottom edge of the frame.

Step 9

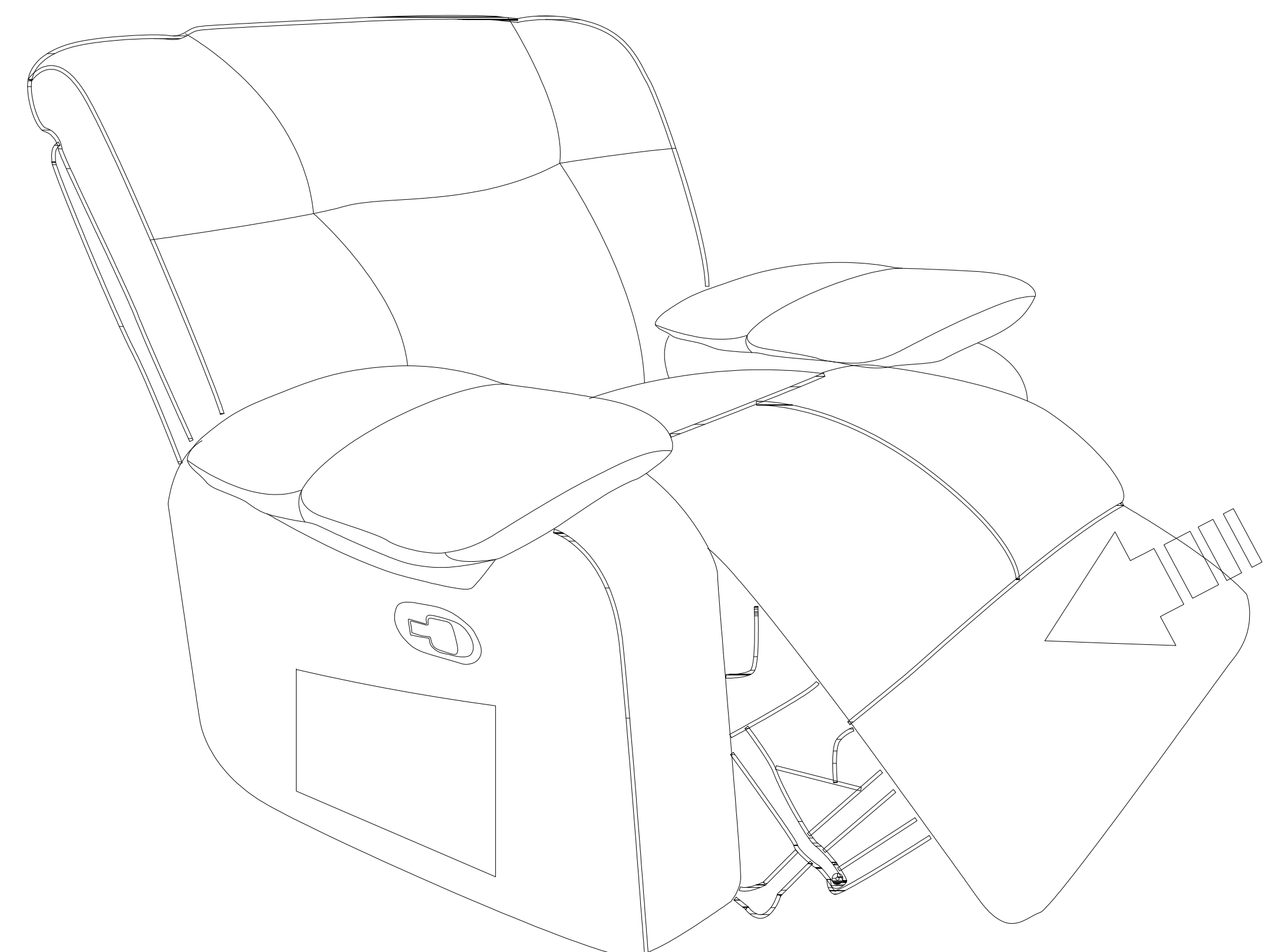
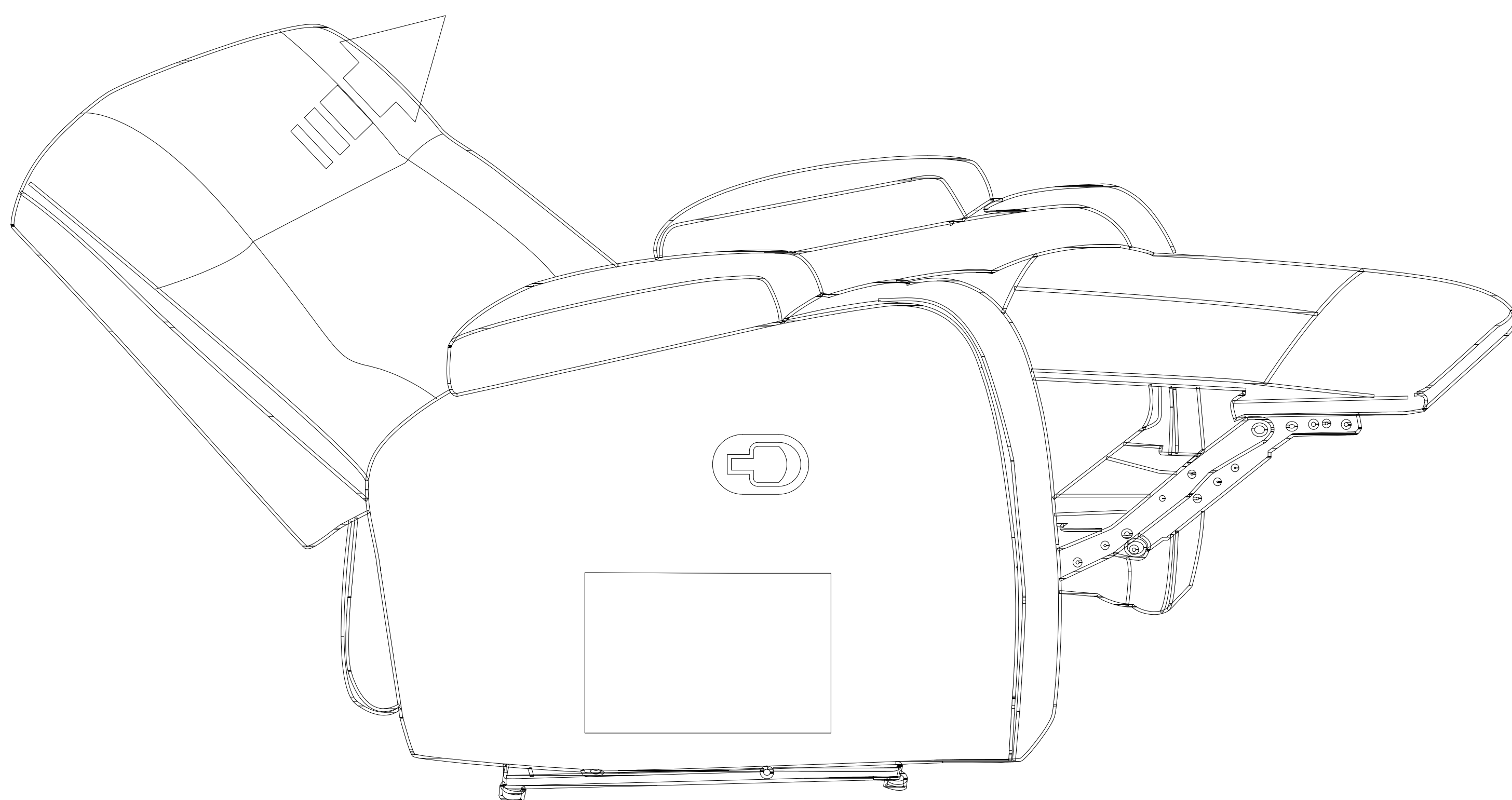


7. Turn on the switch and the sofa will automatically open.

Turning on the switch will automatically open the sofa, and then the angle at which the sofa extends will increase when the back is tilted back.

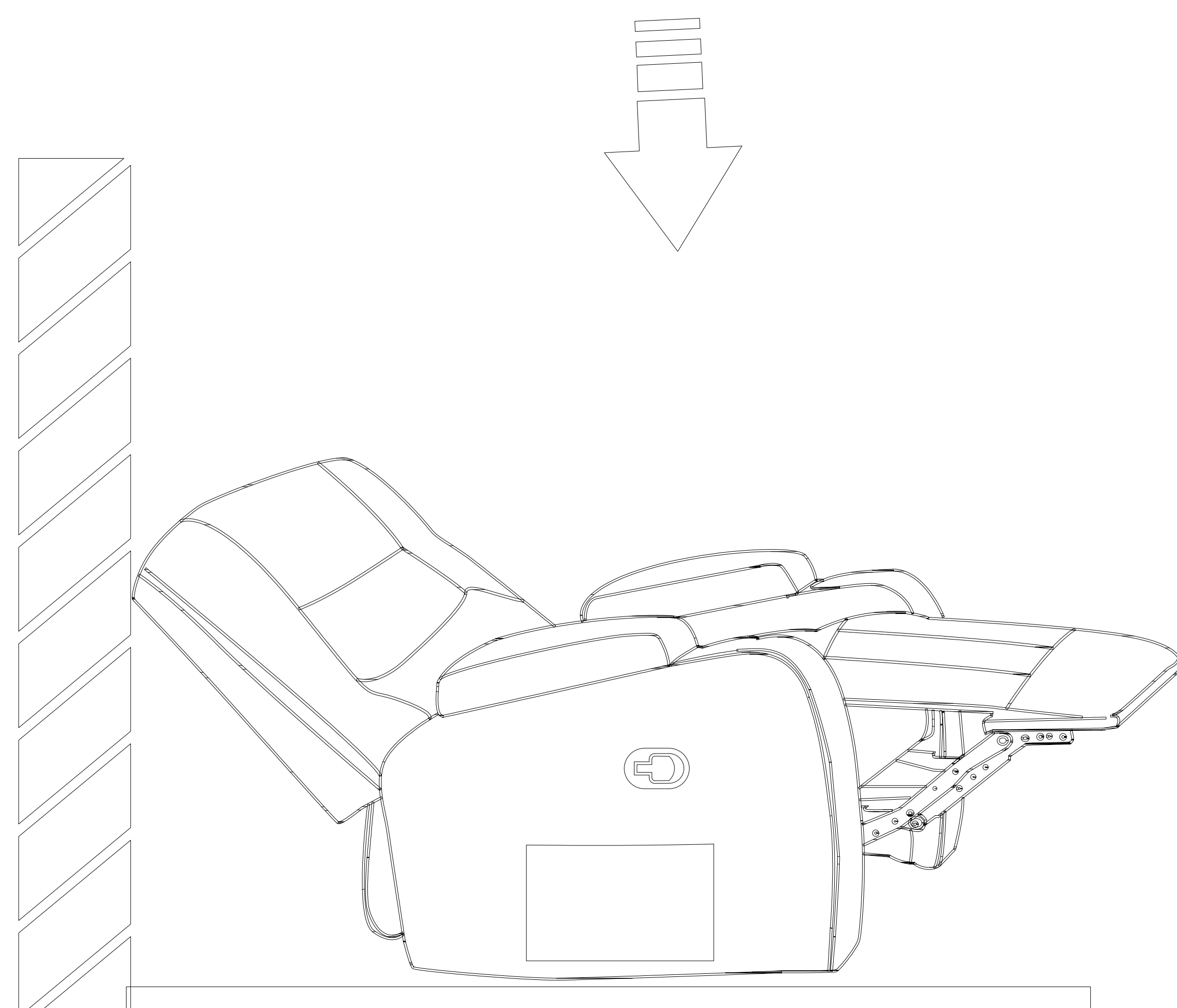
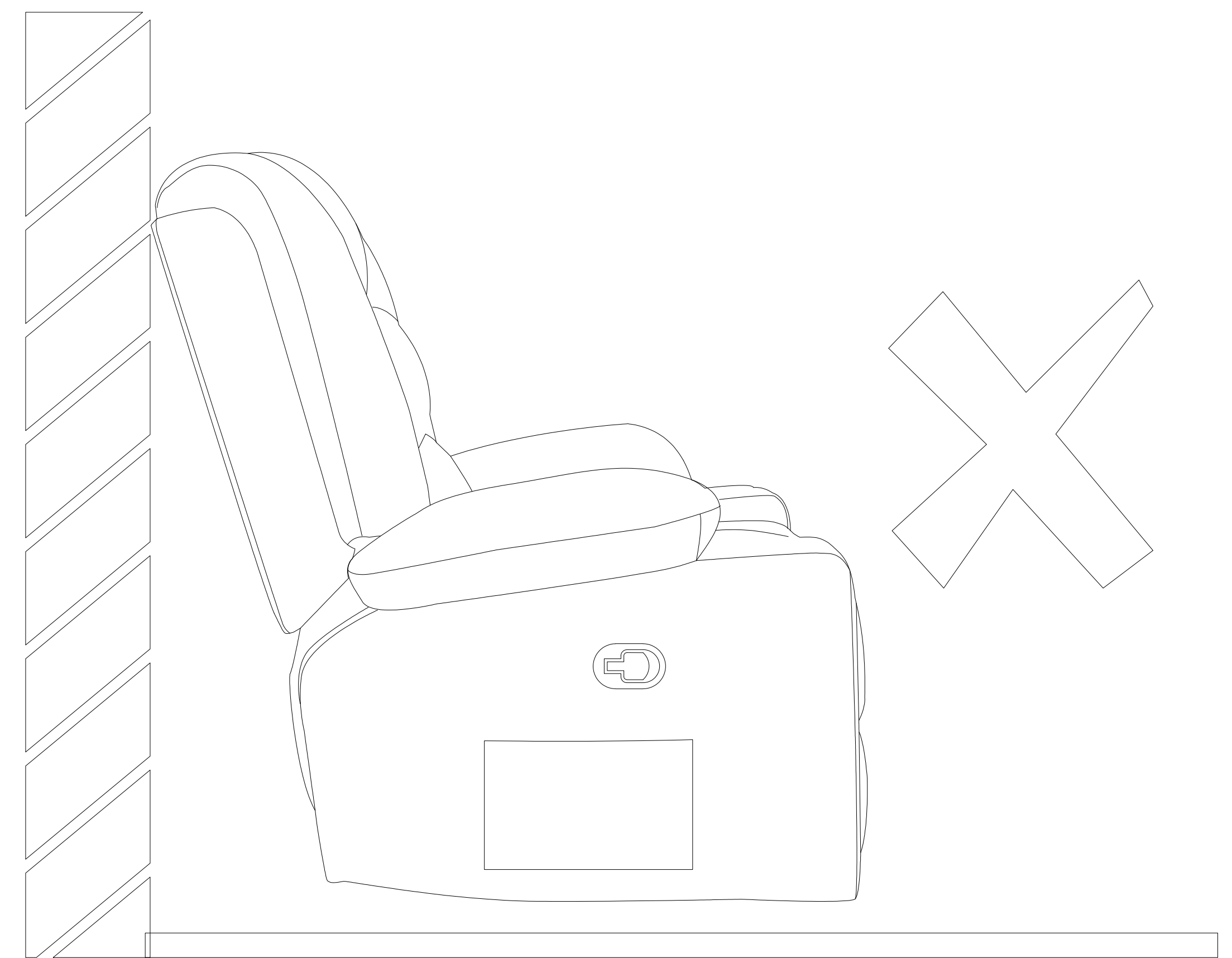


Sitting up from the sofa, the sofa can be retracted. Use your calves to push the forefoot back onto the sofa to fully retract it



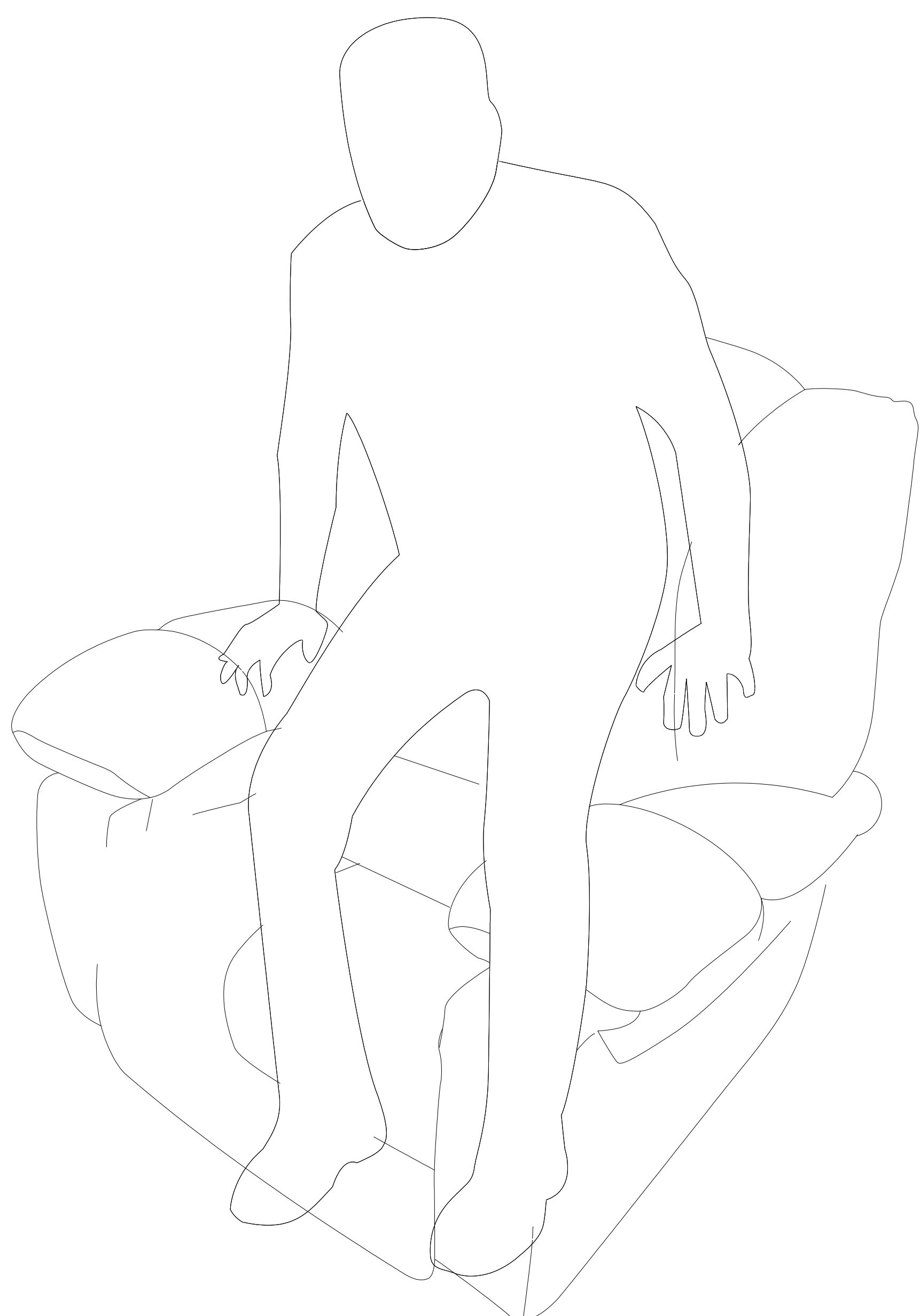
USAGE

Leave
enough space
for reclining back



The recliner should be placed 45cm away from the wall, and the reclining function can be used normally

PROPER USAGE



Steps to safely stand up from your Recliner Chair

1. Plant feet firmly on the ground
2. Evenly distribute weight on both arms of the chair
3. Slowly stand up from upright position