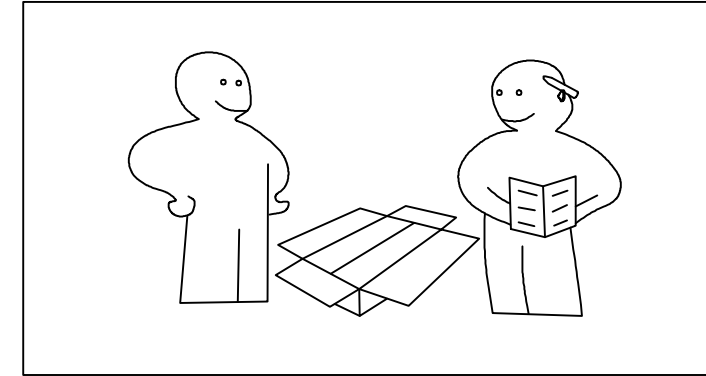
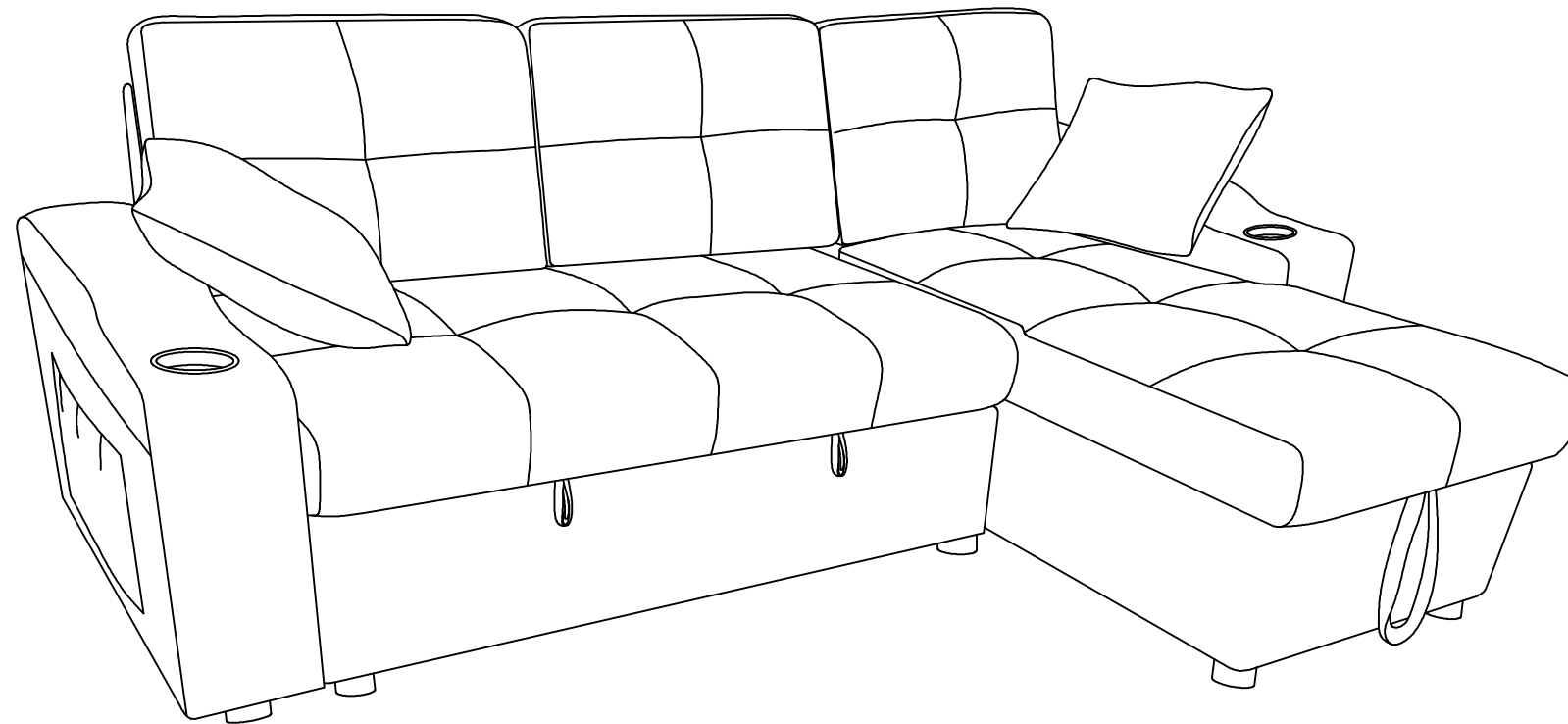


# ASSEMBLY INSTRUCTION

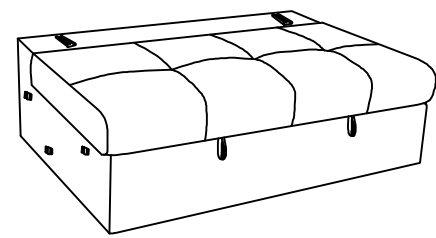


**Attention:**  
two people are required for assembly and lifting unit.

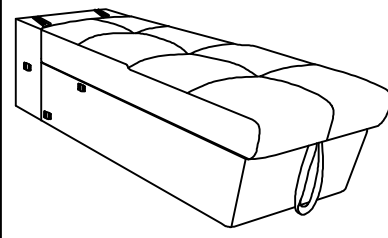


# ASSEMBLY INSTRUCTION

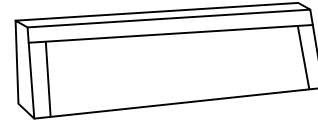
## PART LIST:



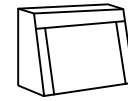
1:LOVESEAT 1 PC



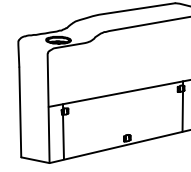
2:CHAISE 1 PC



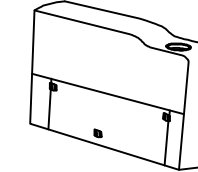
3:BACKREST 1 PC



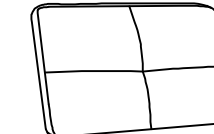
4:BACKREST 1 PC



5:LEFT ARM 1 PC



6:Right ARM 1 PC



7:Back cushion 3 PCS

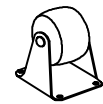


8:Throw pillows 2 PCS

## HARDWARE LIST:



A:LEG 12 PCS

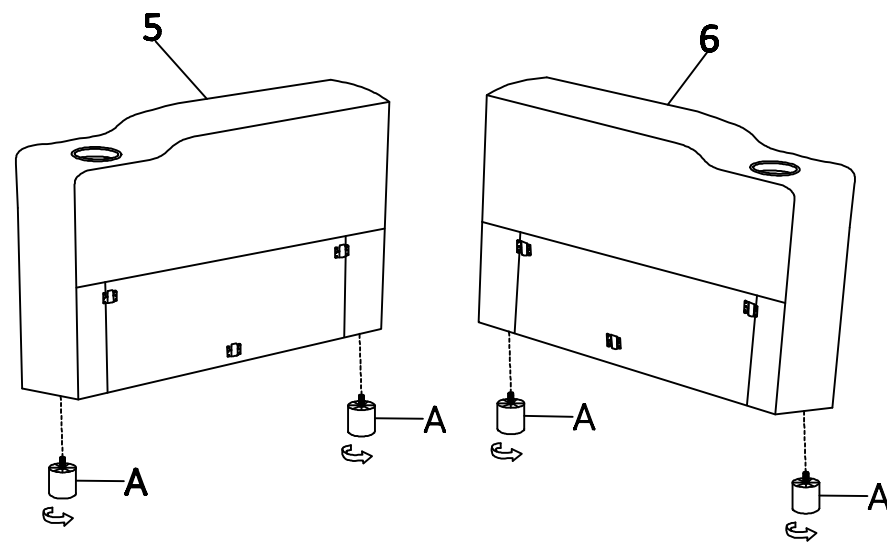


B:WHEELS 2 PCS

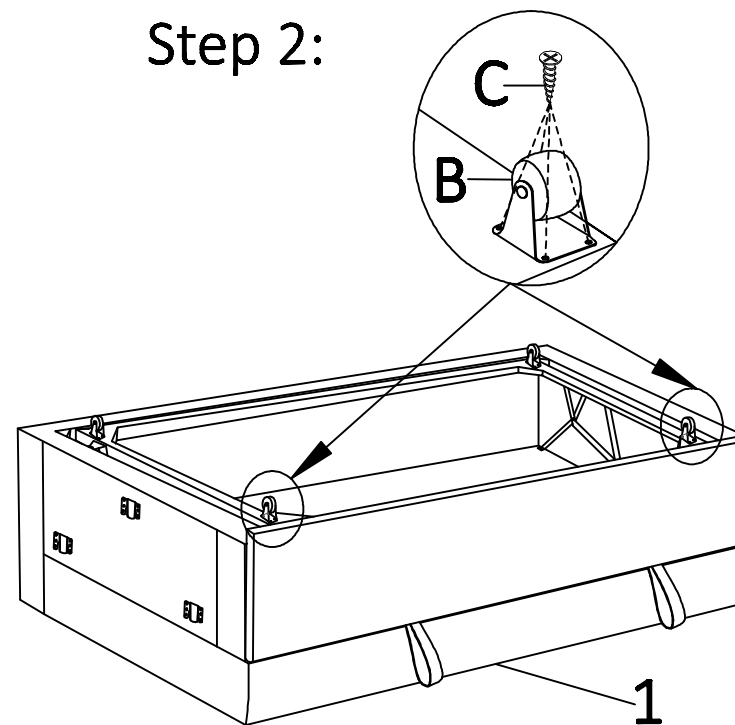


C:SCREW 8 PCS

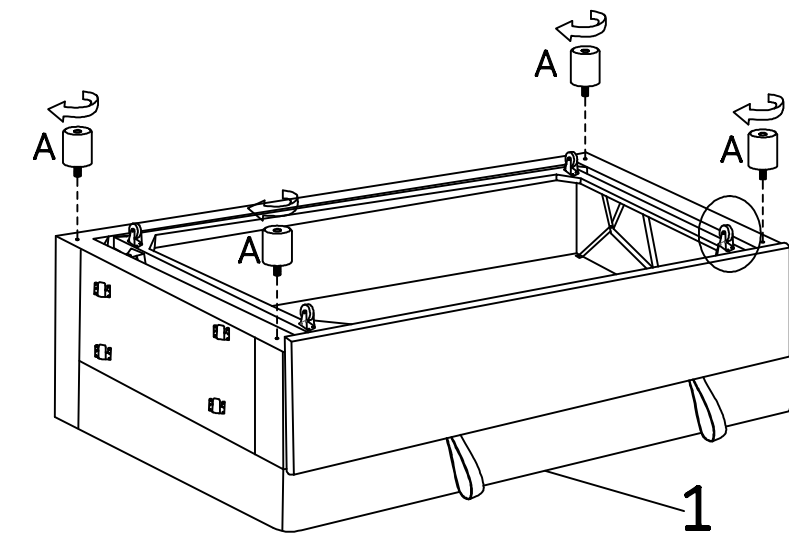
### Step 1:



### Step 2:

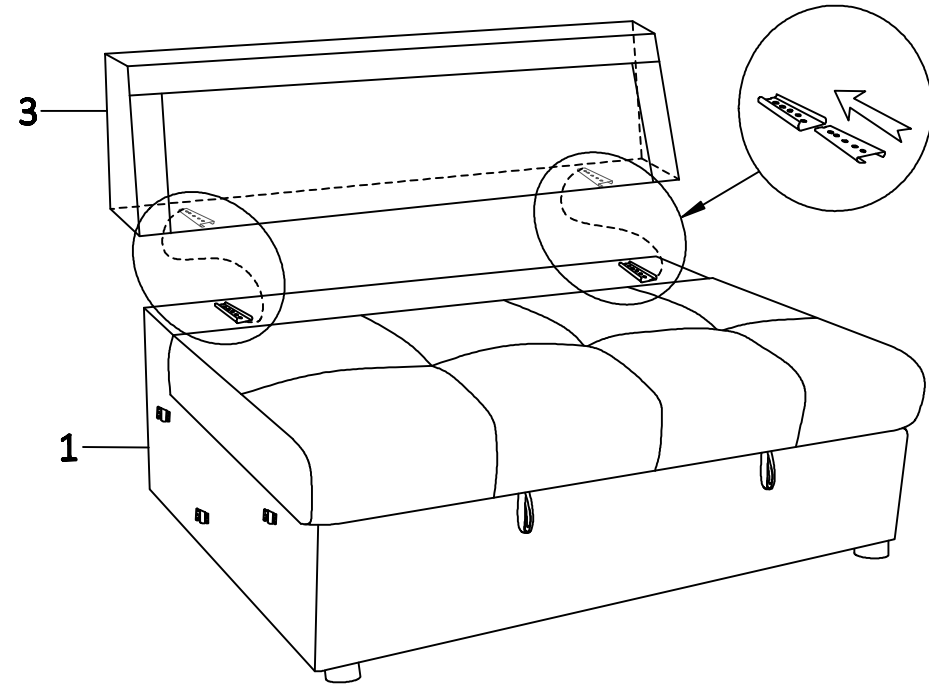


### Step 3:

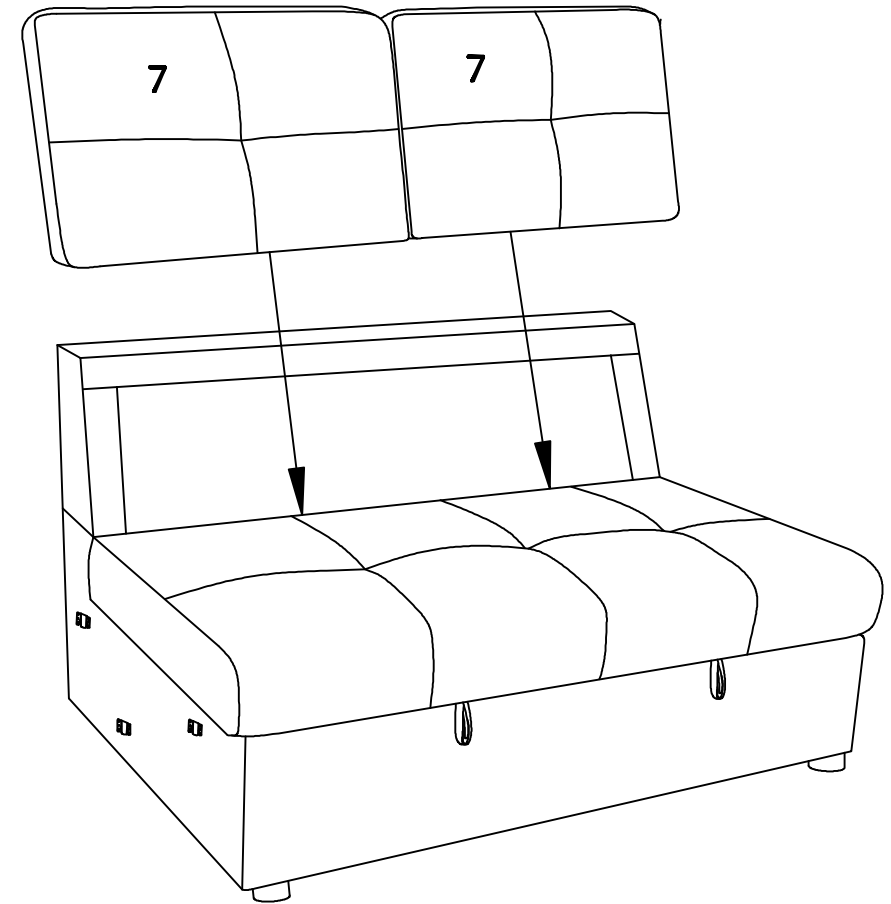


# ASSEMBLY INSTRUCTION

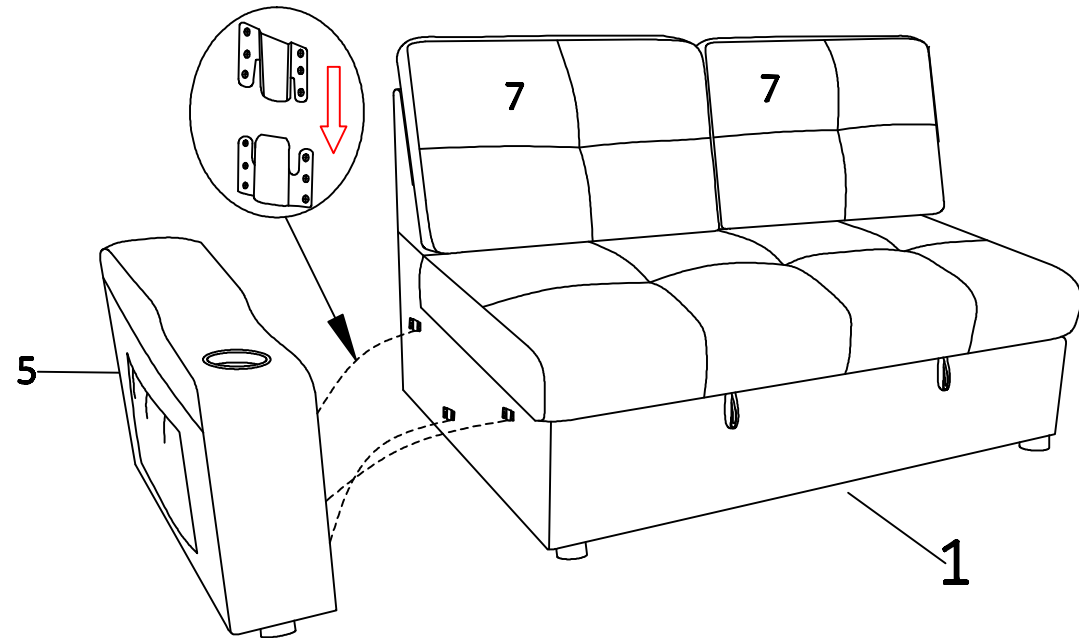
Step 4:



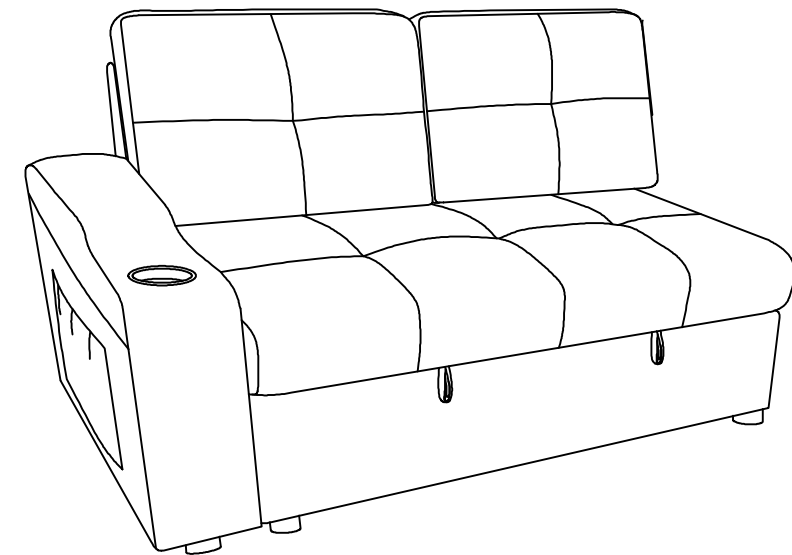
Step 5:



Step 6:

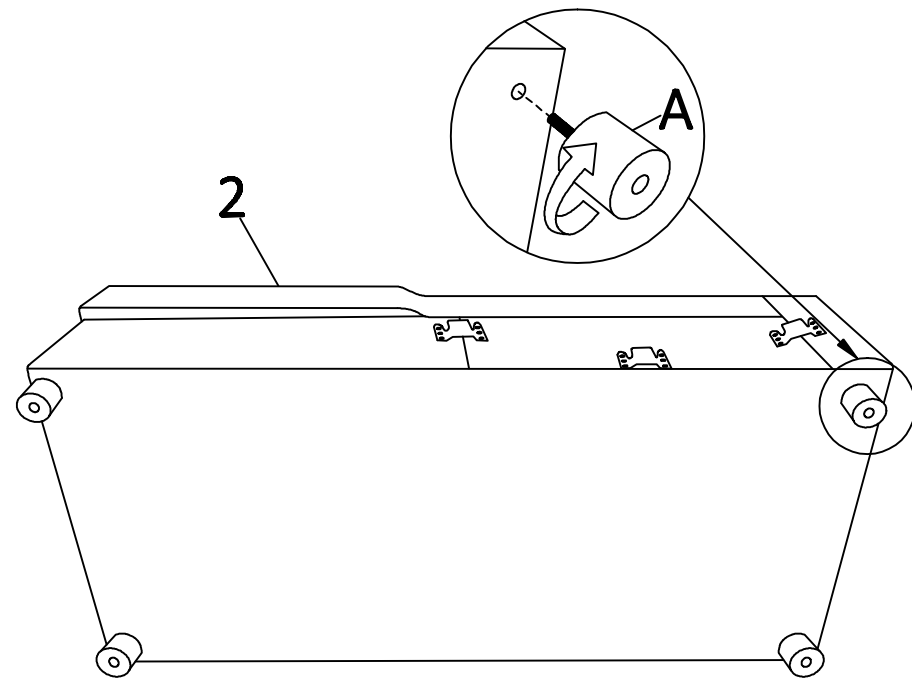


Step 7:

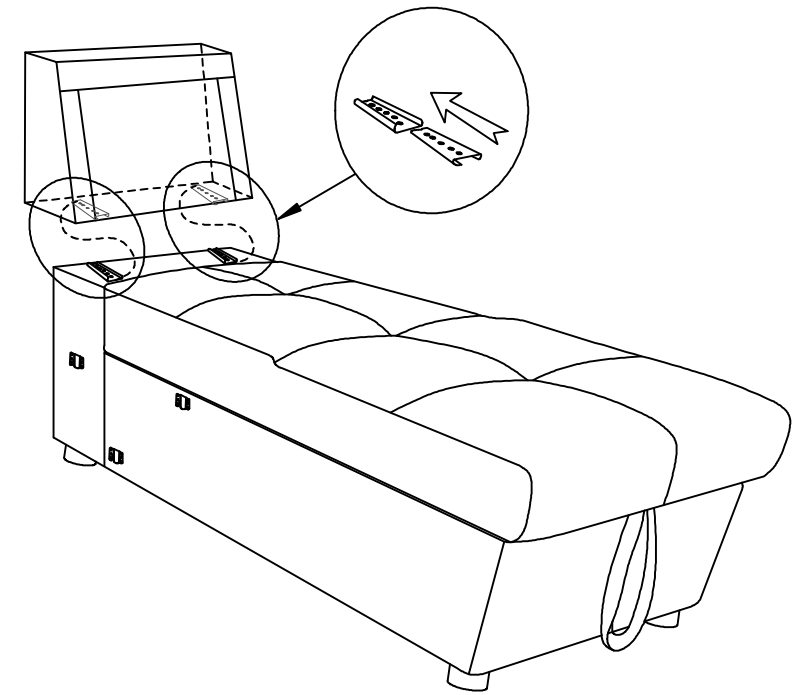


# ASSEMBLY INSTRUCTION

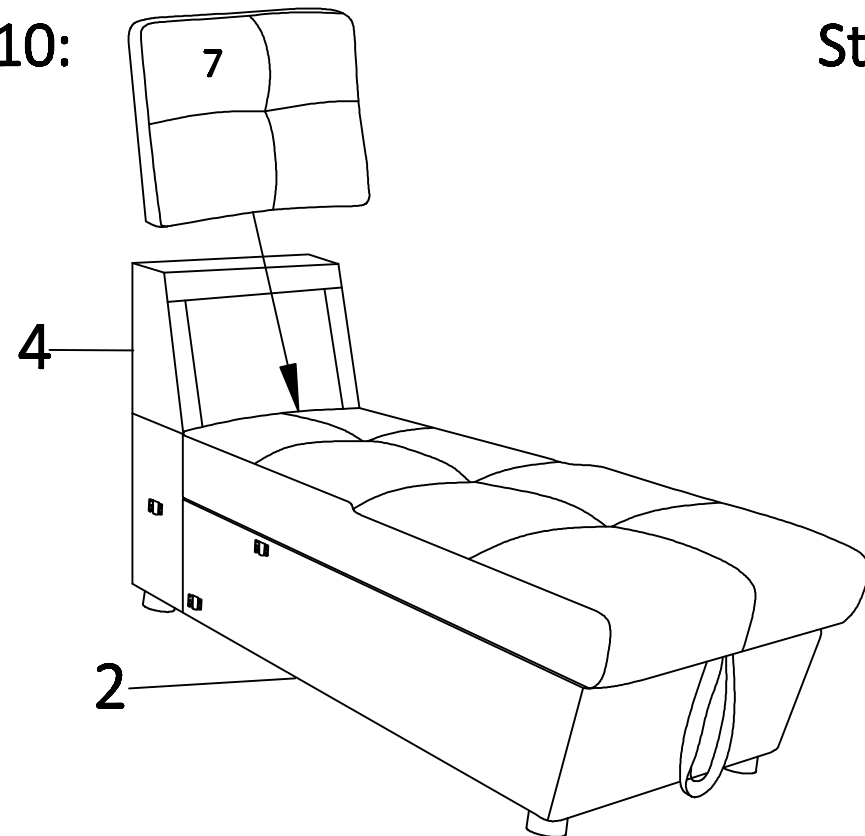
Step 8:



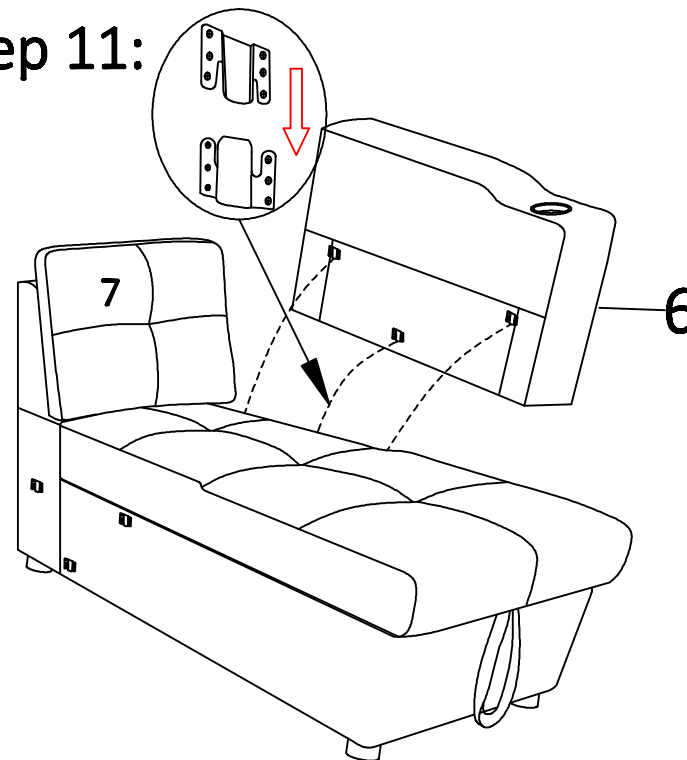
Step 9:



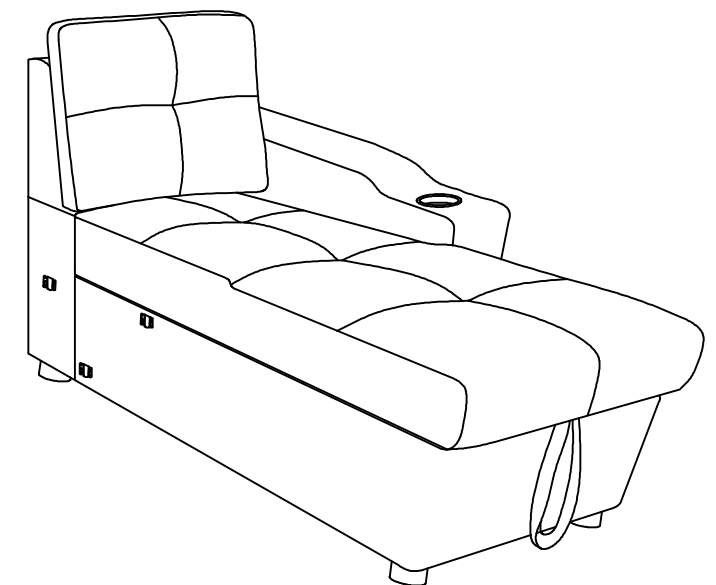
Step 10:



Step 11:

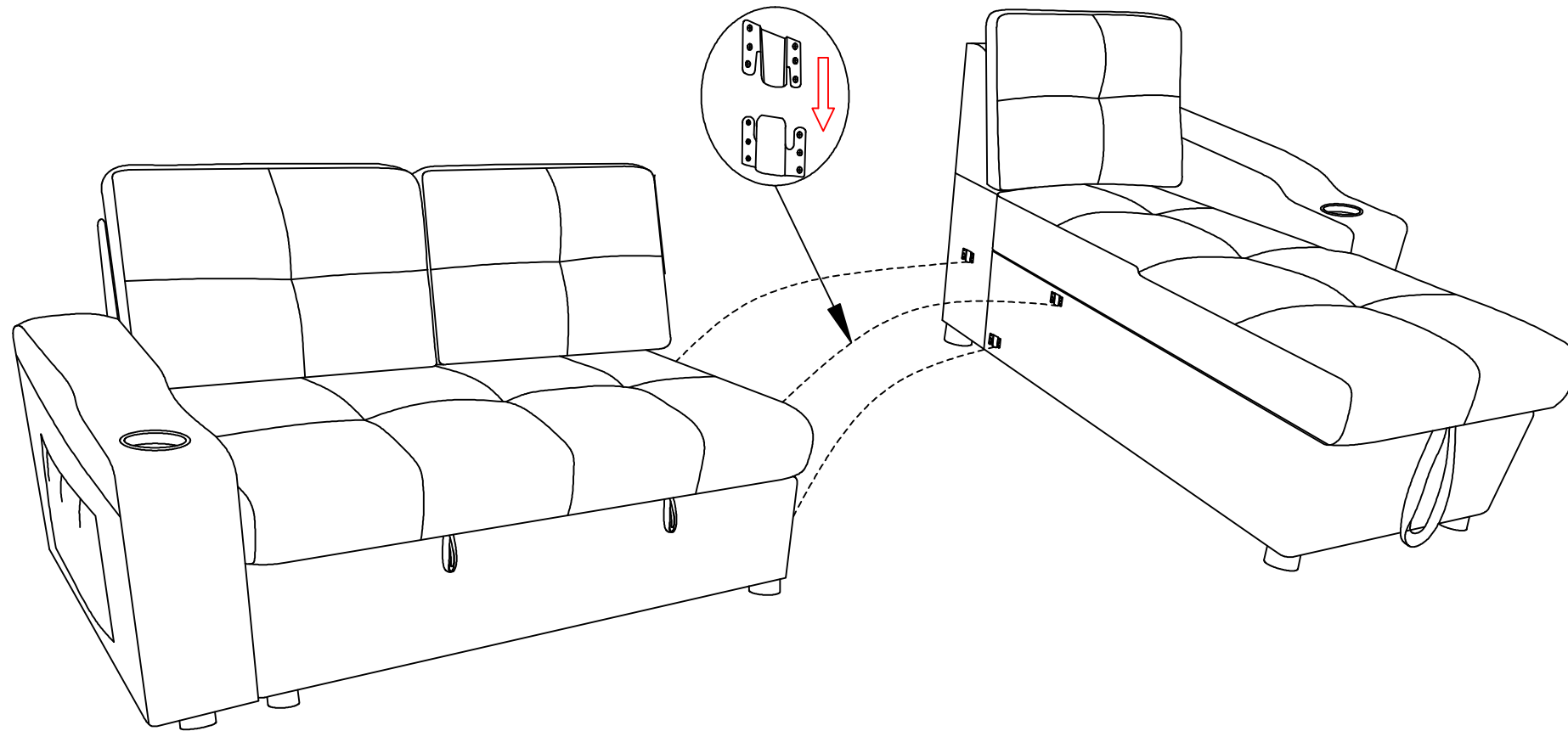


Step 12:



# ASSEMBLY INSTRUCTION

Step 13:



Step 14:

