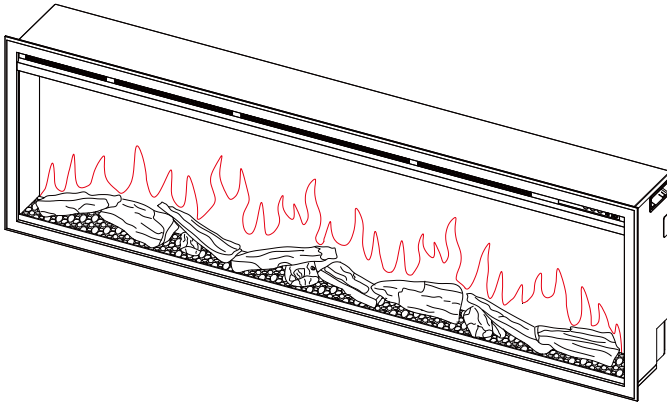






# In Wall Recessed and Wall Mounted Electric Fireplace

## OWNER'S MANUAL



 <b>WARNING</b>	Read and understand this entire owner's manual, including all safety information, before plugging in or using this product. Failure to do so could result in fire, electric shock, or serious personal injury.
 <b>CAUTION</b>	Keep this owner's manual for future reference. If you sell or give this product away, make sure this manual accompanies this product.

**DO NOT RETURN!**  
Contact our customer service team for help first.

## 1. IMPORTANT SAFETY INFORMATION

# WARNING

An instruction manual is provided with each unit, and shall also include at least the following general instructions, as appropriate.

1. Read all instructions before installing or using this heater.
2. This heater is hot when in use. To avoid burns, do not let bare skin touch hot surfaces. Keep combustible materials, such as furniture, pillows, bedding, papers, clothes, etc. and curtains at least 0.9 m from the front of the heater and keep them away from the sides and rear.
3. Extreme caution is necessary when any heater is used by or near children or invalids and whenever the heater is left operating and unattended.
4. Do not operate any heater after it malfunctions. Disconnect power at service panel and have heater inspected by a reputable electrician before reusing.
5. Do not use outdoors.
6. To disconnect heater, turn controls to off, and turn off power to heater circuit at main disconnect panel (or operate internal disconnect switch if provided).
7. Do not insert or allow foreign objects to enter any ventilation or exhaust opening as this may cause an electric shock or fire, or damage the heater.
8. To prevent a possible fire, do not block air intakes or exhaust in any manner.
9. A heater has hot and arcing or sparking parts inside. Do not use it

in areas where gasoline, paint, or flammable vapors or liquids are used or stored.

10. Use this heater only as described in this manual. Any other use not recommended by the manufacturer may cause fire, electric shock, or injury to persons.

This device complies with part 15 of the FCC Rules. Operation is subject to the following two conditions: (1) This device may not cause harmful interference, and (2) this device must accept any interference received, including interference that may cause undesired operation.

**FCC warning:**

Any Changes or modifications not expressly approved by the party responsible for compliance could void the user's authority to operate the equipment.

Note: This equipment has been tested and found to comply with the limits for a Class B digital device, pursuant to part 15 of the FCC Rules. These limits are designed to provide reasonable protection against harmful interference in a residential installation. This equipment generates uses and can radiate radio frequency energy and, if not installed and used in accordance with the instructions, may cause harmful interference to radio communications. However, there is no guarantee that interference will not occur in a particular installation. If this equipment does cause harmful interference to radio or television reception, which can be determined by turning the equipment off and on, the user is encouraged to try to correct the interference by one or more of the following measures:

- Reorient or relocate the receiving antenna.
- Increase the separation between the equipment and receiver.
- Connect the equipment into an outlet on a circuit different from that to which the receiver is connected.
- Consult the dealer or an experienced radio/TV technician for help.

This equipment complies with FCC radiation exposure limits set forth for an uncontrolled environment. This equipment should be installed and operated with minimum distance 20cm between the radiator & your body.

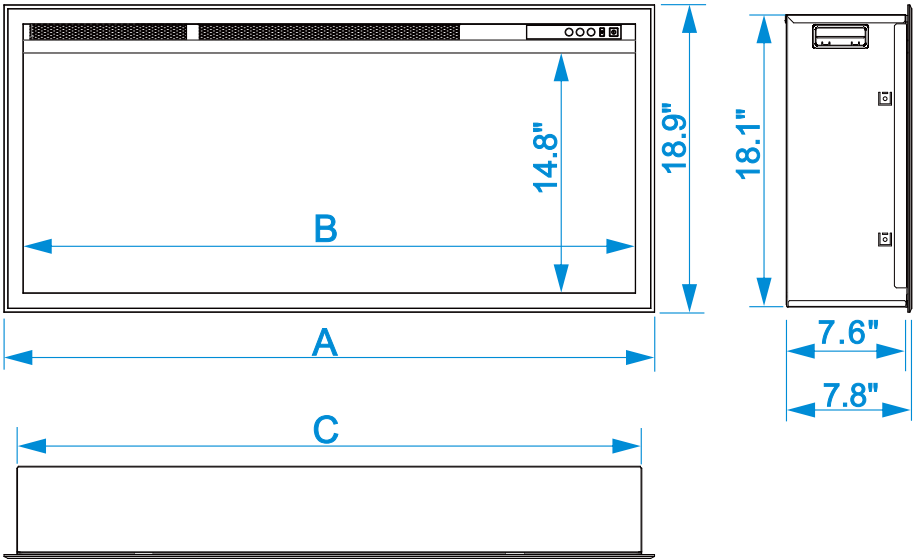
**SAVE THESE INSTRUCTIONS**

## 2. TECHNICAL SPECIFICATIONS

### Electric Specifications

	Volt	Watt (min/max)	Hz	BTU(max)	Amp	Heating Area(max)
	120	750/ 1500	60	5100	12.5	400sq.ft.

### Product Dimensions



		Unit				
<b>A</b>	inch	33.1	40	50	60	72
	mm	840	1016	1270	1524	1830
<b>B</b>	inch	30.1	37.6	47.6	57.6	69.7
	mm	780	956	1210	1464	1770
<b>C</b>	inch	31.7	38.6	48.6	58.6	70.6
	mm	804	980	1234	1488	1793

### 3. BEFORE INSTALLATION

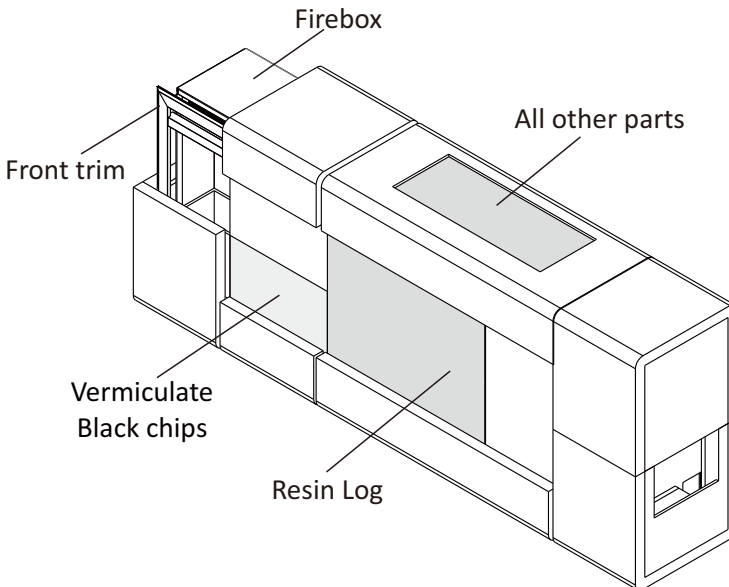
#### Note:

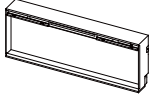

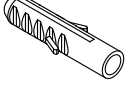
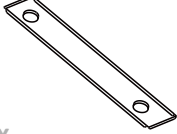
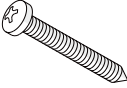
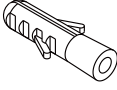


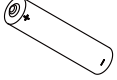

- Keep the packaging (carton, rapping bag, etc.) for future transportation and/or storage.
- If there is any problem or question, please contact the service team.
- If the unit needs to be returned, please make sure all the spare parts are packed inside, and packing as the same as the original packing.

#### Check Spare Parts

- Open the packaging carefully and remove the polystyrene.
- Check all the spare parts are fully received.
- Carefully check if any damages that may have for the spare parts.

**NOTE: Contact service team for help if there is any part missing or damaged.**



			
1x	1x	5x	5x
<b>Firebox</b>	<b>Front Trim</b>	<b>Screw ST5*40</b>	<b>Wall Plug Ø8*40</b>
			
2x	4x	1x	1x
<b>Side Screen Panel</b>	<b>Screw ST4*40</b>	<b>Wall Plug Ø4*20</b>	<b>Brush</b>
			
1 set x	1 set x	1 set x	1x
<b>Resin Log</b>	<b>Vermiculate</b>	<b>Black Chips</b>	<b>Remote Handset</b>
			
2x	1x	1x	
<b>AAA Battery</b>	<b>Instruction Manual</b>	<b>Voice Control Manual</b>	

## **Function Testing**

Please refer to section 5a. Manual Control Panel and 5b. Remote Control to test the appliance first before installation. **Should any defects found, please contact service team for help.**

# 4. INSTALLATION INSTRUCTIONS

## Tools Required

A Phillips screwdriver, a drill and a hammer will be needed.

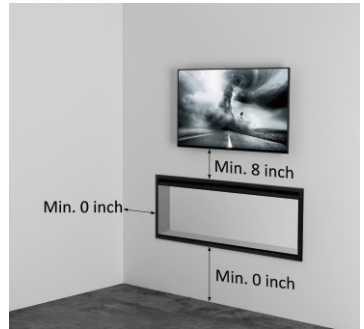
### 1. Locate the appliance

Your new electric fireplace may be installed virtually anywhere in your home. However, when choosing a location ensure that the general instructions are followed.

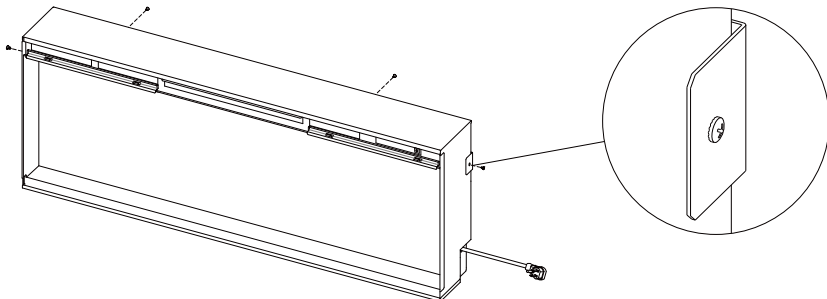
- For best results, install out of direct sunlight.
- The appliance should be connected to an earthed electrical outlet and it must be easily accessible to allow disconnection.

#### MINIMUM CLEARANCE TO COMBUSTIBLE

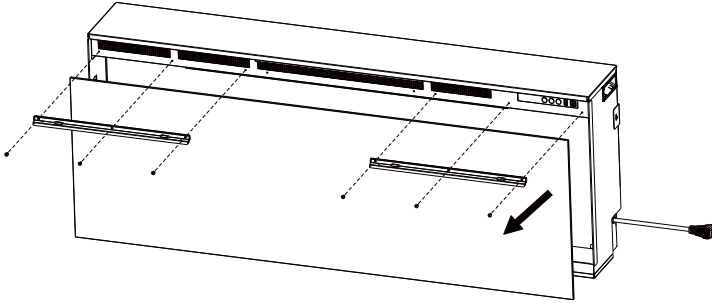
Sides.....	0
Floor.....	0
Back.....	0
Top (Mantel or TV) .....	8" Minimum
Front.....	36" Minimum



### 2. Remove the wall mounting bracket



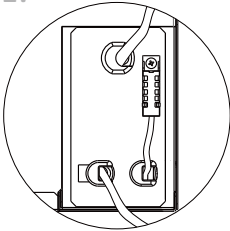
**3. Remove the front glass panel, take out all parts inside.**



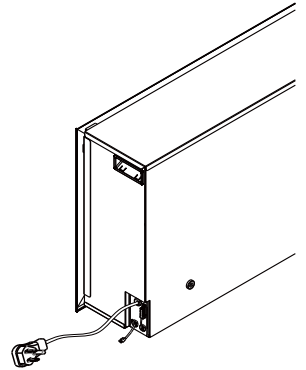
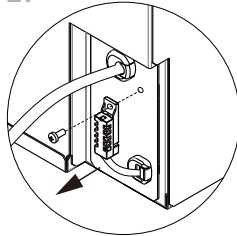
**4. Remove the temperature sensor from the firebox (if needed).**

You can fix it on the outer surface of the wall to measure the room temperature more accurately. The cable length is 37.4"(95cm).

1.

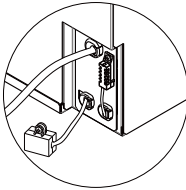


2.

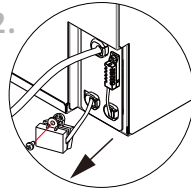


**5. Remove the protective cover of the plug for ambient light (if needed)**

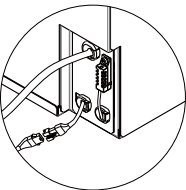
1.



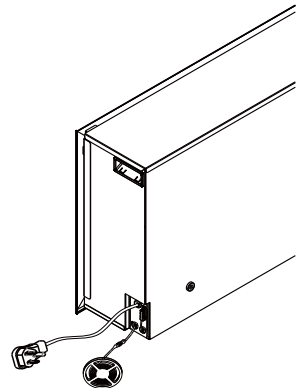
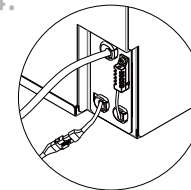
2.



3.



4.



**Note:** Compatible ambient lights are available, and other makes may not be suitable and will void warranty.

## 6. Prepare power supply, hard wire please refer to page16.

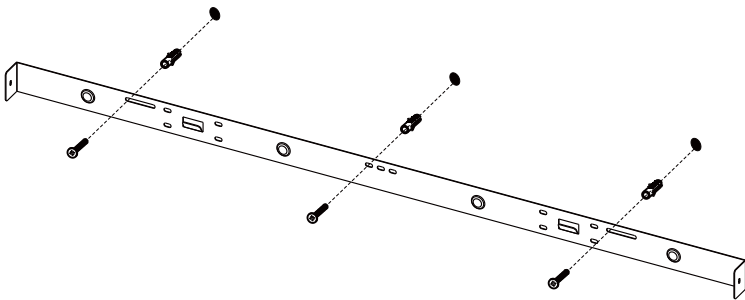
## 7. Installation

The following installation types are only given as a general guide. Various materials can be used for the framework and cladding. But consideration should be made to soften the internal surface of any cladding to minimums the amplification of noise.

### WALL MOUNTED

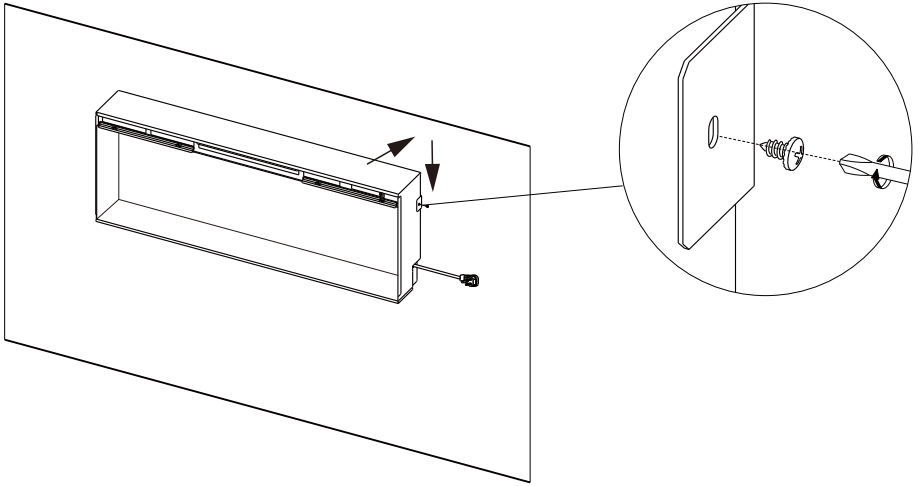
- **Fix the wall mount bracket on the wall**

Put the mounting bracket on the wall where you would like to install the appliance, mark the holes for screws, drill holes on the marks, insert the wall plugs  $\Phi 8*40$ (for masonry wall only) into the holes and fix the bracket by screws ST 5\*40.



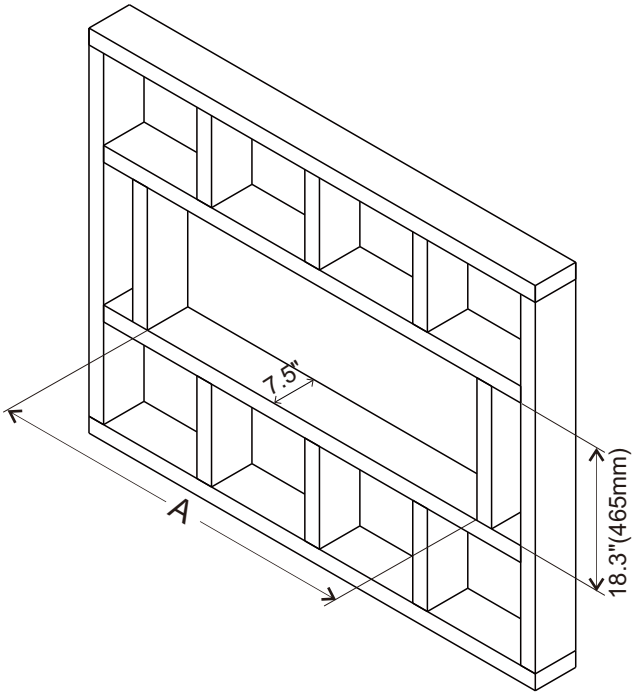
- **Secure the appliance to the wall mount bracket**

Fit the slots in the back of firebox over the hooks on the bracket, and carefully hang the firebox on the bracket. Then secure the screws on both sides.(Use the screws previously removed)



**FLUSH MOUNTED INSTALLATION**

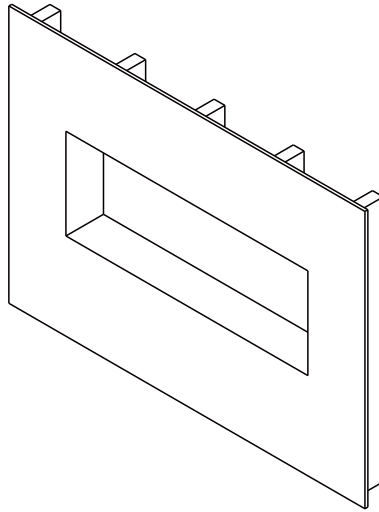
- Build a frame where there is a circuit available.



	Unit					
<b>A</b>	inch	31.9	38.8	48.8	58.8	70.9
	mm	810	986	1240	1494	1800

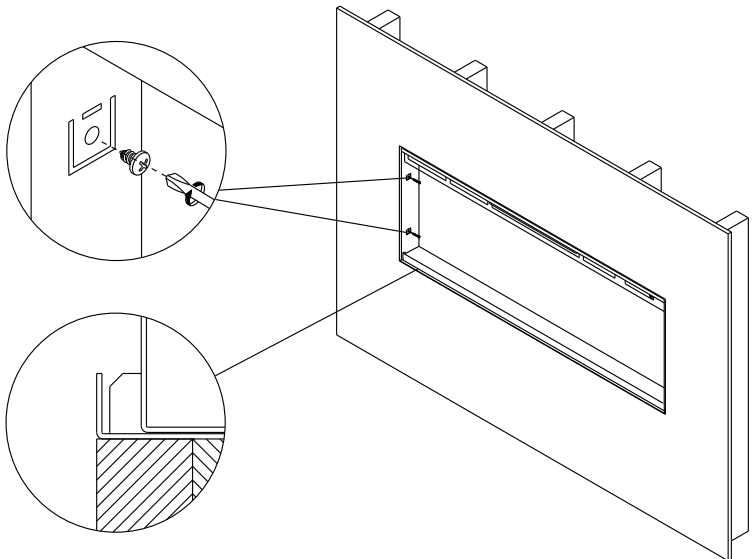
- **Finish the wall by paint or wall paper**

**Note:** leave the sensor out of the finished wall.

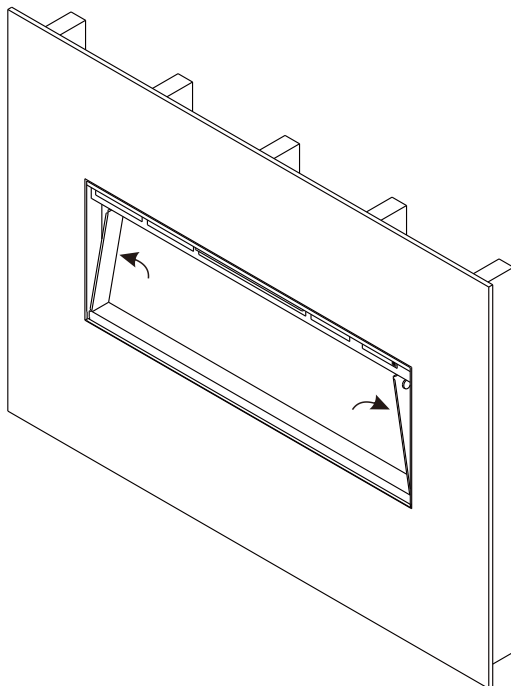


- **Push the appliance into the frame and secure**

Push the firebox into the framework until the front surface of its bottom is at the same level of the surface of the framework. Then, use 4pcs ST4x40 screws to fix the firebox to the stud.

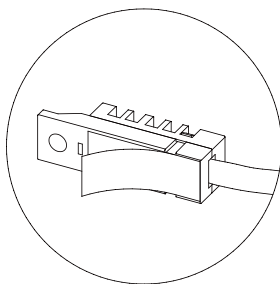


- **Attach the two side retaining panels with magnets to the sides of the firebox as shown below.**

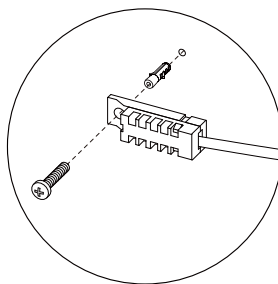


- **Temperature sensor arrangement**

In order to improve the accuracy of the temperature sensor, you can remove it from the appliance and fix it on the wall where the hot air from the heater has less effect. If needed, a wall plug  $\Phi 4*20$  could be used when fix on the wall.

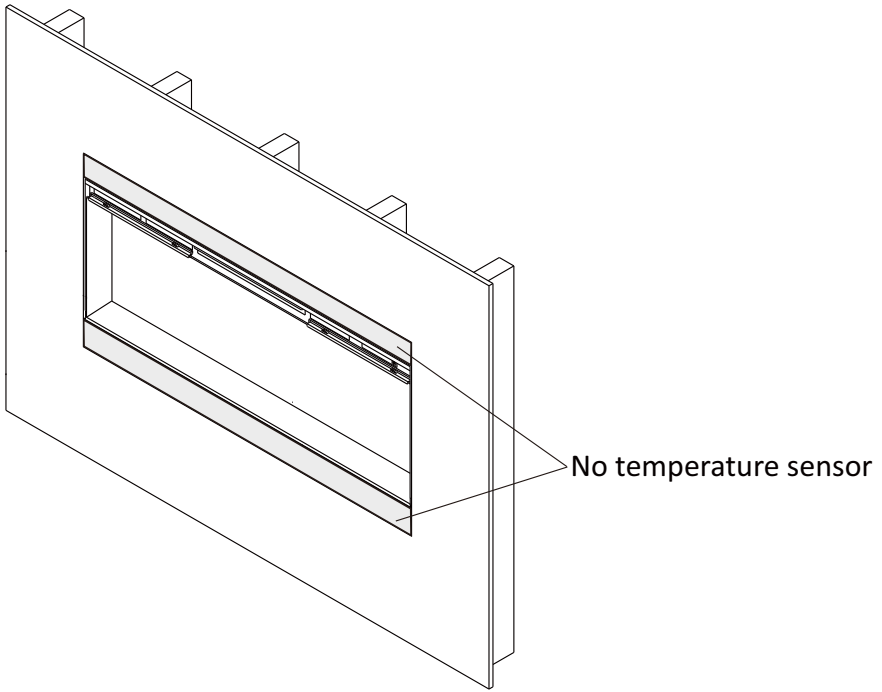


Stick on the wall



Fix on the wall

**Note:** For a lesser effect by hot air from the heater, do not fix the sensor in the below area.

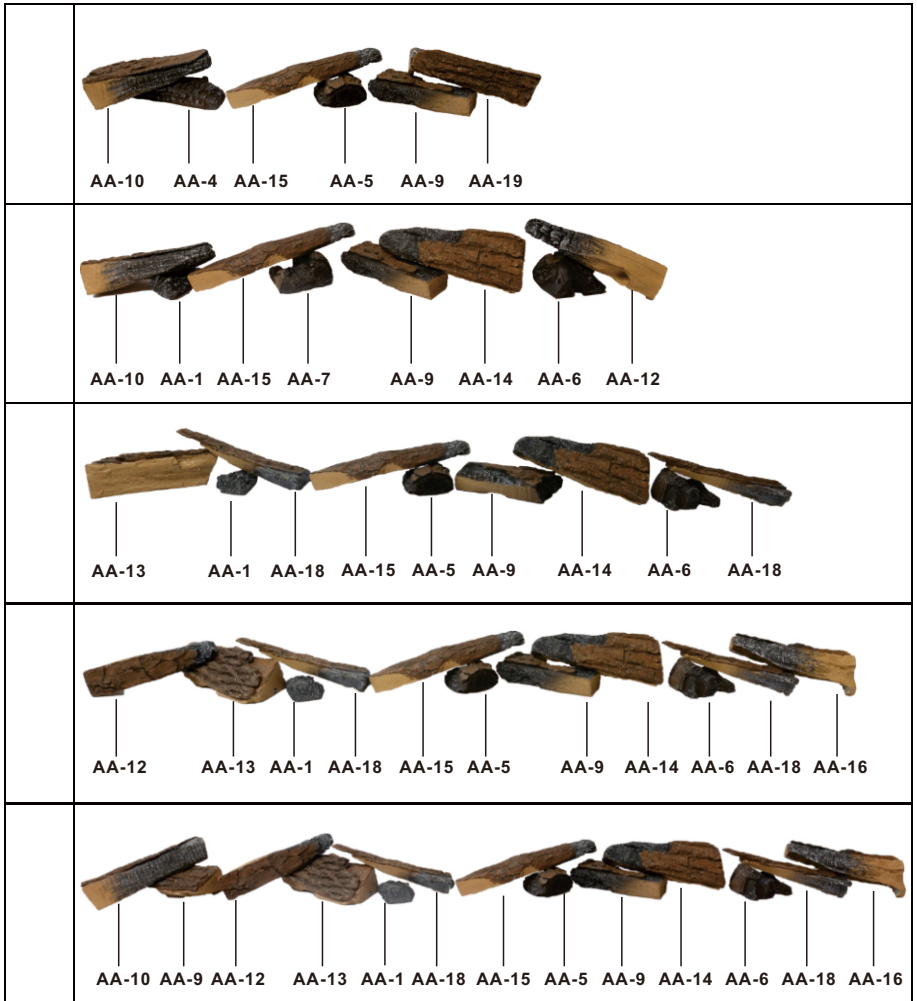


### 8. Fuel bed arrangement

- Set the fuel bed according to the following instructions to give the more realistic log flame effect:

**Step 1:** Every log has a number on its back to be identified. Place the logs on the fuel bed according to the layout printed on the fuel bed panel.

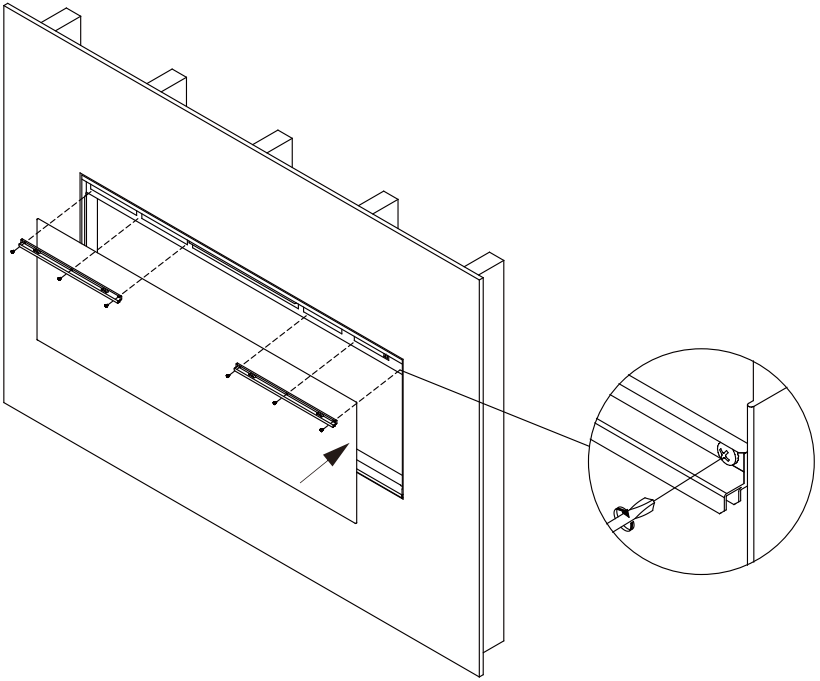
	AA-1	AA-4	AA-5	AA-6	AA-7	AA-9	AA-10	AA-12	AA-13	AA-14
Log										
	AA-15	AA-16	AA-18	AA-19						
Log										



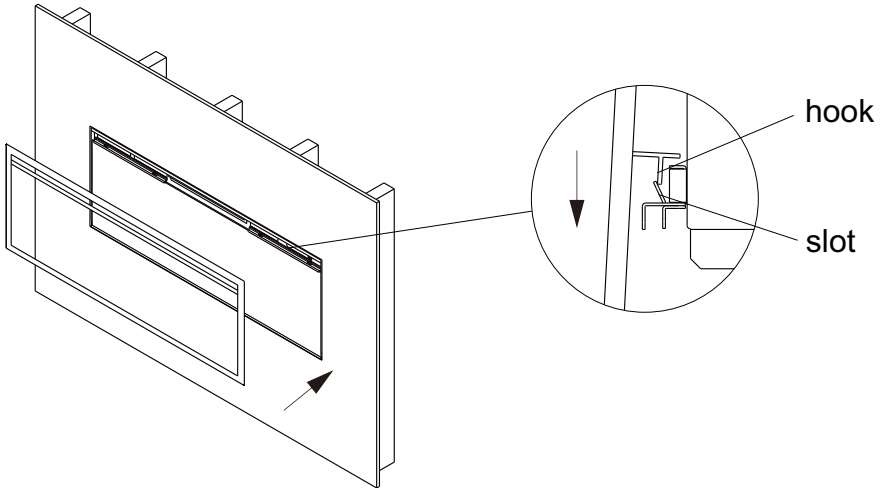
**Step 2: Place the black glass chips on the fuel bed.**

**Step 3: Place the vermiculate at the edge of the fuel bed.**

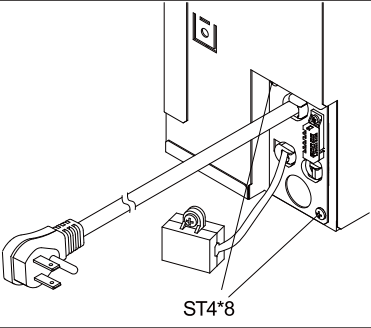
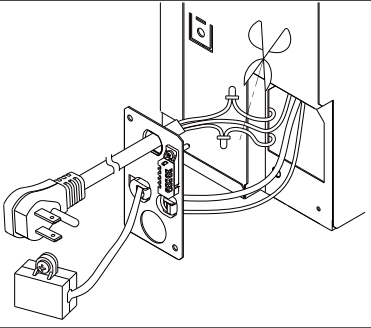
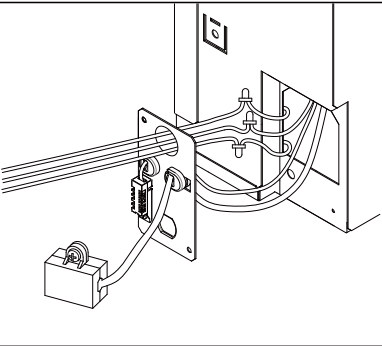
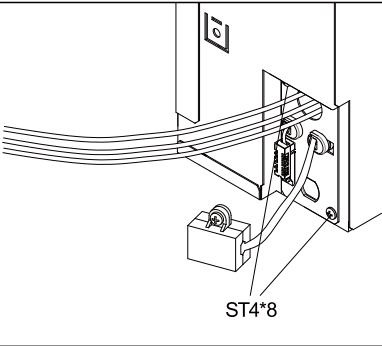
**Step 4: Use the brush provided to clean the vermiculate in the slot and then install the front glass back.**



## 9. Fit the trim



## Hard Wire

 <p>ST4*8</p>	
<p>Remove 2pcs ST4*8 screws to release the cover of the junction box and take it out, use a plier to take the wire clip off and move away the power cord.</p>	<p>Cut the lines at the position showing in picture above and save the power cord.</p>
	 <p>ST4*8</p>
<p>Lead the wires through the hole of the cover and connect with the wire from the fireplace by cables.</p>	<p>Fix the cover back by 2pcs ST4*8 screws.</p>

## 5. OPERATING INSTRUCTIONS

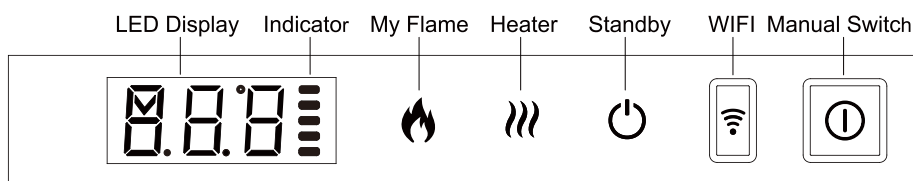


Read and understand this entire owner's manual, including all safety information, before plugging in or using this product. Failure to do so could result in electric shock, fire, serious injury, or death.



**WARNING!** Do not operate the unit if it is damaged or has malfunctioned. If you suspect the unit is damaged, call a qualified service technician to inspect and replace any part of the electrical system if necessary.

### 5a. Manual Control Panel



**Note:** Press Manual Switch before operating either manual control, remote or APP. A long beep sound is heard to indicate the appliance is ready for use.

**Note:** The manual buttons control only basic functions, not a full range of controls. Use in conjunction with the remote handset or the APP to carry out

**MAIN SWITCH:** Press to turn on or turn off power to the appliance.

**Note:** The controls on appliance will lose the memory for all function settings when the switch is set to the Off Position.

**STANDBY:** Turn on the appliance with the last used settings without any heat. Place the appliance into standby mode with all features turned off.

**MY FLAME:** Press to cycle through 9 flame colors and off setting.

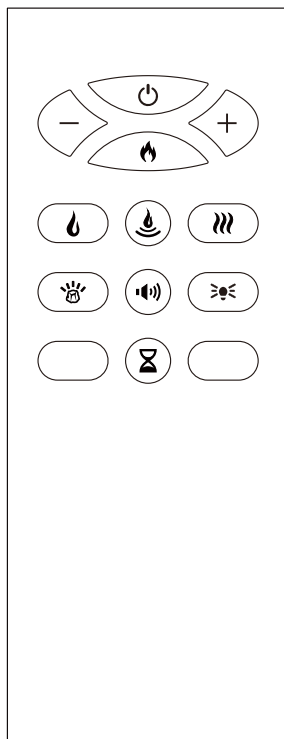
**HEATER:** Press to cycle through the heat output options: Low-High-Off

**Note:** In order to prevent the product becoming too hot, there is a 10s delay when turning on the heater and a 10s delay when turning off the heater fan.










**WiFi:** Press to turn WiFi on or off. An illumination LED indicates that the WiFi is turned on. Hold the button for 3 seconds to enter device pairing mode.

**Note:** Each time a button is pressed on the appliance or on the remote control, an audible beep is emitted. To turn off this feature, keep pressing button MY FLAME for 3 seconds.

## 5b. REMOTE CONTROL



**IMPORTANT:** The remote control handset must be left in the same room as the appliance as it houses the thermostat that regulates heat output.

BUTTON	TITLE	FUNCTION
	<b>STANDBY</b>	Turns on the appliance with the last used settings without any heat. Place the appliance into standby mode with all features turned off.
	<b>MY FLAME</b>	Press to cycle through 9 default flames and off.
	<b>MAIN FLAME</b>	Press to turn on/off the main flame .
	<b>SECOND FLAME</b>	Press to cycle through second flame 1, 2, ..., 9 and off.
	<b>FUEL BED</b>	Press to cycle through fuel bed 1, 2, ... 9 and off.
<b>- +</b>	<b>Minus &amp; Plus</b>	Press to adjust the brightness, volume, and time after pressing the MAIN FLAME/ SECOND FLAME/FUEL BED/ AMBIENT LIGHT /CRACKLE CHOICE/TIMER button once; Press directly to set the temperature; <b>Press + for 3s to change the temperature unit between °C and °F.</b>
	<b>HEATER</b>	Press to cycle through Low-High-Off Note: if the thermostat is on and room temperature is higher than setting value, the heater will not work.
	<b>TIMER</b>	Press to cycle through 0.5H, 1H, 2H, 3H, 4H, 5H, 6H, 7H, 8H, 9H and off.
	<b>AMBIENT LIGHT</b>	Press to cycle through ambient light 1, 2, ... 14, off.
	<b>CRACKLE CHOICE</b>	Press to turn on or turn off crackling sound effect.

## **IMPORTANT SAFETY INFORMATION FOR BATTERY**

1. Two AAA battery are required for the remote control;
2. Use the thumb press and push the bar figure on the back cover down simultaneously, then take out the cover and remove the battery or insert the battery, after this place the cover back on the rear of the remote;
3. This AAA battery (non-recharged) is not to be recharged;
4. Different types of batteries or new and used batteries are not to be mixed;
5. Battery is to be inserted with the correct polarity;
6. Exhausted batteries are to be removed from the appliance and safely disposed of;
7. If the remote control is to be stored unused for a long period, the battery should be removed;
8. The supply terminals are not to be short-circuited.

## **5c. APP CONTROL**

Visit your APP store (IOS or Android) to download the TUYA SMART APP. Follow the onscreen instructions to create an account. Once installed, follow the procedure below to pair the device with your appliance.

- Start the APP and click “Add Device” on screen. Select “Small Home Appliance” from the list, then select “Electric Fireplace (Wi-Fi)”.
- Ensure the appliance is powered on, then press and hold the Wi-Fi button on the appliance until you hear 3 beeps at EZ mode. At the same time the Wi-Fi button and the fuel bed will blink. If failed at EZ mode, try AP mode. Please press the Wi-Fi button, you will hear 3 beeps, then keep pressing until you hear other 5 beeps enter AP mode.
- Follow the instructions on the APP to input your home network details. Note, your device must also be connected to the same home network what you wish to connect the appliance to.
- Complete setup and link the fireplace to your account.

We have created a very detailed APP Operation Instruction and a video to guide you through the process how to load down the TUYA Smart APP, create an account, pair your appliance to your smart phone and operate the appliance. Scan the QR code to be taken to the Operation Instruction or the video.

## 5d. VOICE CONTROL

**Note: Before using voice control, ensure that the appliance is connected to the TUYA APP and that Amazon Alexa or Google Assistant APP is installed .**

Voice control via Amazon Alexa & Google Assistant. See 《Amazon Alexa & Google Assistant Commands》

### RESETTING THE THERMAL CUT OUT

The appliance is fitted with an Electronic Safety Control (E.S.). This is a safety device, which switches off the fire if, for any reason, the appliance overheats, e.g. when covered. If the heater stops operating while the flame effect continues working normally, this indicates that the E.S. Control is in operation. The E.S. Control can only be re-set after the appliance has cooled down, and the appliance has been reset. Resetting of the E.S. Control proceeds is as follows:

1. Switch off the appliance (Manual switch) and leave it off for approximately 10-15 minutes.
2. Remove any obstruction to the fan heater outlet or fan blades etc. Make sure that the power supply is disconnected with the plug socket outlet while doing this.

3. Switch on the appliance and the E.S. Control will be reset.
4. Ensure that the appliance is functioning correctly. If the E.S. Control operates again, the appliance should be checked by a competent electrician.

### **WINDOW OPEN DETECTION**

When the sensor detects a rapid drop in room temperature, it will be identified as a window open, the warning icon 'OPn' will be displayed and the heating will be turned off automatically.

After the indoor temperature has risen or a manual override of the warning (by operating touch control panel or remote control or heat button on APP) has been done, the fire will return to normal working state.

## **6. CARE AND MAINTENANCE**



**ALWAYS** turn the heater OFF and unplug the power cord from the outlet before cleaning, performing maintenance, or moving this fireplace. Failure to do so could result in electric shock, fire, or personal injury.

### Cleaning



**NEVER** immerse in water or spray with water. Doing so could result in electric shock, fire, or personal injury.

### **Metal:**

- Buff using a soft cloth, slightly dampened with a citrus oil-based product.
- **DO NOT** use brass polish or household cleaners as these products will damage the metal trim.

### **Glass:**

- Use a good quality glass cleaner and dry thoroughly with a paper towel or lint-free cloth.
- **NEVER** use abrasive cleansers, liquid sprays, or any cleaner that could scratch the surface.



**Plastic:**

- Wipe gently with a slightly damp cloth and a mild solution of dish soap and warm water.
- **NEVER** use abrasive cleansers, liquid sprays, or any cleaner that could scratch the surface.

**Vents:**

- Use a vacuum or duster to remove dust and dirt from the heater and vent areas.
- Clean the exterior of the fireplace with a slightly damp cloth or duster.

**Maintenance**

	<p><b>Risk of electric shock! DO NOT OPEN! No user-serviceable parts inside!</b></p>
	<p><b>ALWAYS turn the heater OFF and unplug the power cord from the outlet before cleaning, performing maintenance, or moving this fireplace. Failure to do so could result in electric shock, fire, or personal injury.</b></p>

**Electrical and Moving Parts:**

- The fan motors are lubricated at the factory and will not require lubrication.
- Electrical components are integrated in the fireplace and are not serviceable by the consumer.

**Storage:**

- Store heater in a clean dry place when not in use.

**Replacement parts:**

- Use only replacement parts supplied by the manufacturer. Use of any other parts, or modifying the fireplace in any way, will void all warranties.
- No internal parts are replaceable or serviceable.

## 7. LIMITED WARRANTY

This warrants to the original purchaser that this product is free from defects in material and workmanship as of the date of purchase and that it will, under normal use and proper care, remain so for one year from the date of purchase. Missing or initially defective parts will be replaced free of charge during the period of this limited warranty. If parts are unavailable, comparable replacement or refund will be given. **The original dated sales receipt is required for all warranty claims.** This warranty does not cover damage which has occurred during transport from the point of purchase to the consumer's home. This warranty does not cover glass, light bulbs, batteries, transportation, labor, or other issues not associated with the manufacture of the product.

**This product is for residential use only. Any and all commercial use of this product voids all warranties, and frees the manufacturer from all liability.**

Read and understand all assembly and operating instructions, and all safety information and warnings, before use. The following will void this warranty: Damage caused from tampering with, modifying, or altering the fireplace insert in any manner; Damage due to incorrect assembly, improper care, misuse, or abuse; Damage from being used with the wrong power source; Water damage; Damage caused from this insert being used outdoors; Damage caused from this insert being used for excessive periods of time; Damage caused by the insert being used in a commercial application; Damage from use as a primary heat source; Other misuse or abuse not specifically listed herein.

**This product is not intended to be used as a primary heat source. It is for supplemental heating purposes only.**

# 8. SCHEMATIC DIAGRAM

