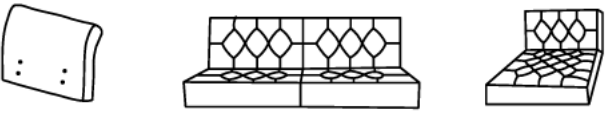












# ASSEMBLY INSTRUCTION

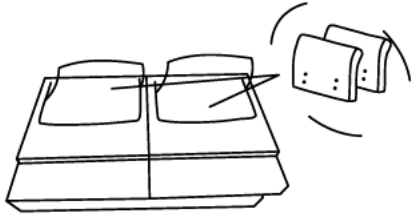
## Parts And Hardware List

Page 1 of 2

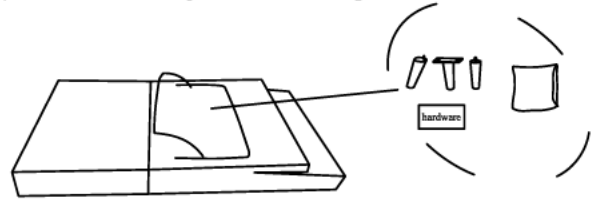
 <p>Armrest x2      2-seater x1      Chaise x1</p>	<b>A</b>		8PCS	<b>E</b>		10PCS
	<b>B</b>		16PCS	<b>F</b>		6PCS
	<b>C</b>		12PCS	<b>H</b>		1PC
 <p>Leg A x4      Leg B x3      Leg C x6      Pillow x2</p>	<b>D</b>	 80mm	4PCS	<b>I</b>		1PC
	<b>J</b>	 100mm	4PCS			

**Step 1:** please take out the armrests, legs, and hardware from bottom of the sofa as below:

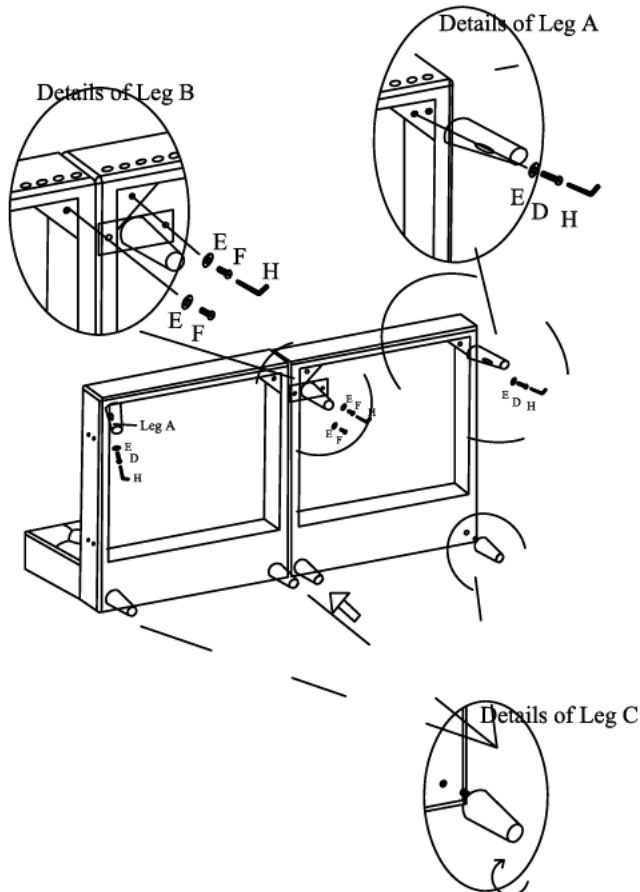
Carton of "2-seater", open the zipper at bottom, you can find the armrests



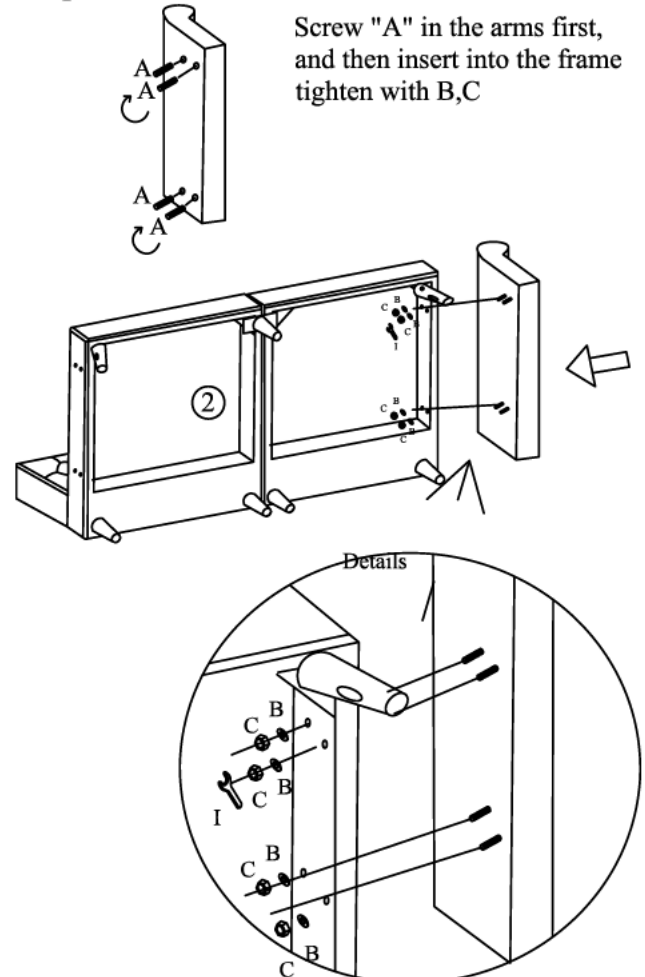
Carton of "Chaise", open the zipper at bottom, you can find the legs, hardware and pillows



**Step 2:** assemble the legs of "2-seater"

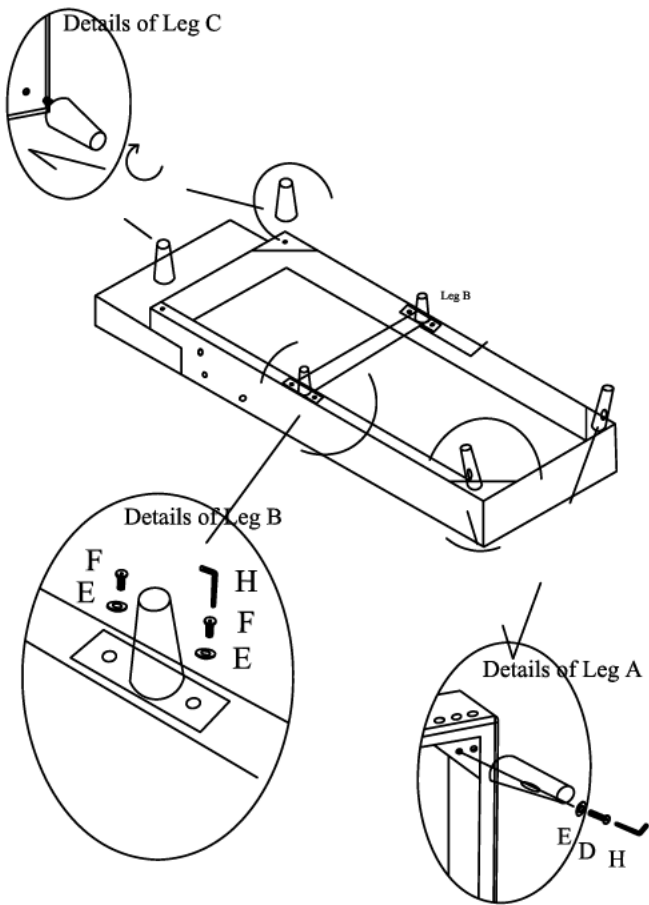


**Step 3:** assemble the armrest of "2-seater"



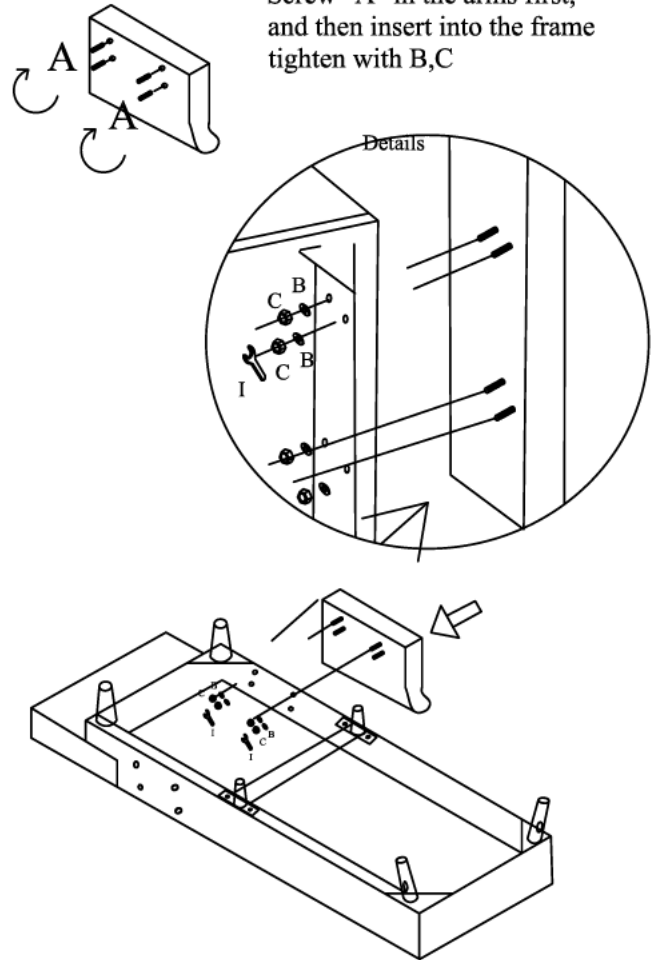
# ASSEMBLY INSTRUCTION

## Step 4: assemble the legs of "Chaise"

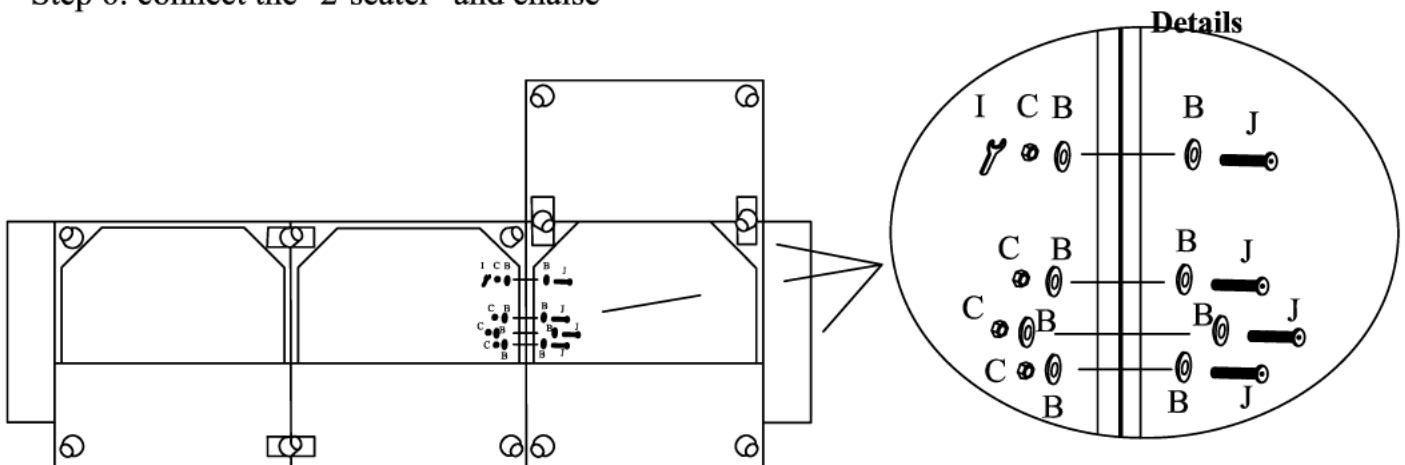


## Step 5: assemble the armrest of "Chaise"

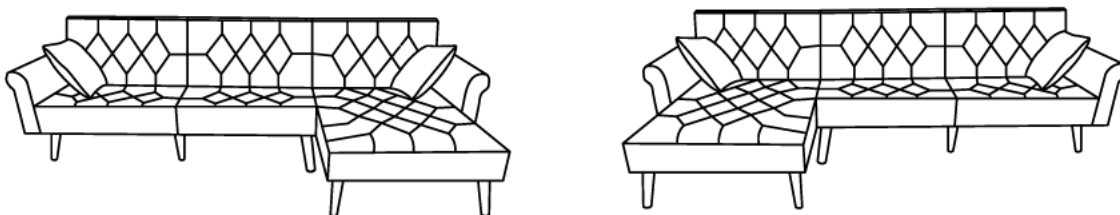
Screw "A" in the arms first, and then insert into the frame tighten with B,C



## Step 6: connect the "2-seater" and chaise



## Step 7: put the pillows on sofa, then assembly is finished.



Remarks: The armrests are in fixed position, 2-seater and chaise is reversible, the assembly is same as previous steps.