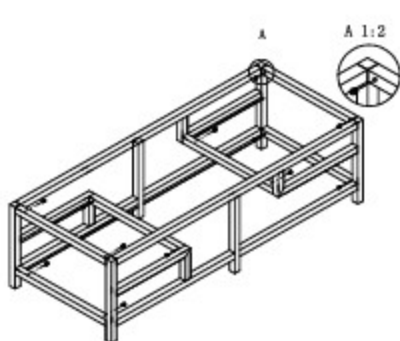
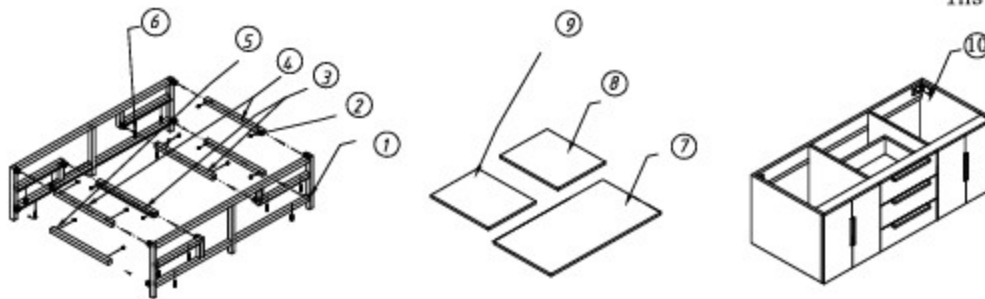


Installation Instruction

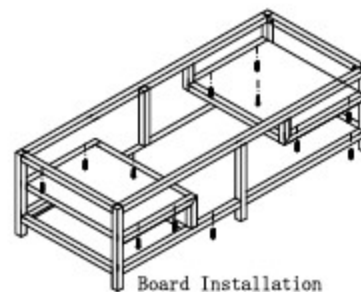
PARTS LIST							
NO.	PARTS	NAME	QTY	NO.	PARTS	NAME	QTY
①		Front aluminum frame	2	⑥		M4x14 Flat head tapping screws	16
②		M4x10 Countersunk head screw	12	⑦		Board	1
③		25x25x430 Aluminum bar with spacing strip	1	⑧		Board	1
④		25x25x430 Aluminum bar with holes	2	⑨		Board	1
⑤		25x25x430 Aluminum bar	2	⑩		Cabinet body	1

Installation Steps ①



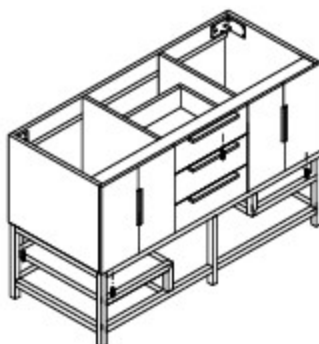
Frame Installation

②



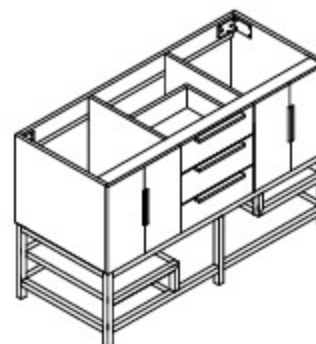
Board Installation

③



Connection

④



Finished

⑤