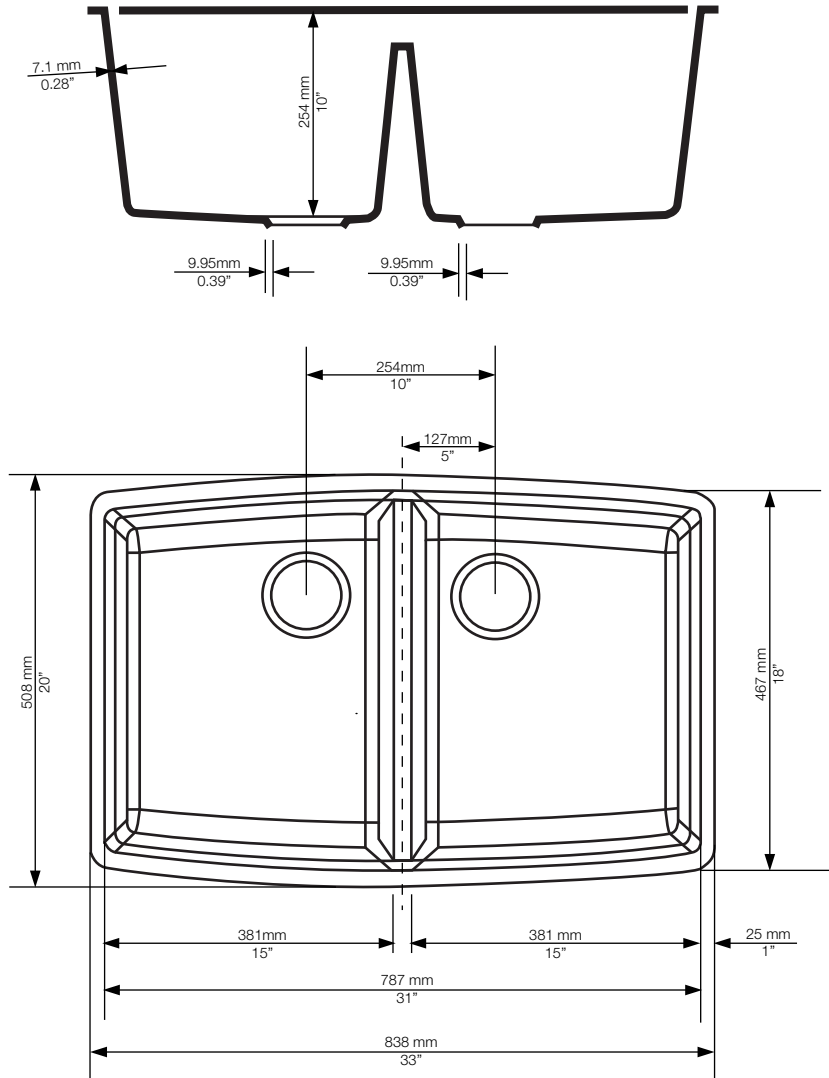




**CERAMIC  
BASIN**

**BASIN  
CÉRAMIQUE**



\* Dimensions may vary +/- 1/4" (6mm) / Les dimensions peuvent varier de +/- 1/4" (6mm)



DIMENSIONS	WEIGHT POIDS	MATERIAL MATERIEL	DRAIN HOLE DIAMETER DIAMÈTRE DU TROU DE VIDANGE
33 x 20 x 10" 840 x 510 x 255 mm	38.6 lbs 17.5Kg	Granite Granit	3.5" 90mm
FINISH FINITION	DRAIN LOCATION LOCATION DU DRAIN	PIECES PIÈCES	COMPLIANCE CERTIFICATIONS: Uniform Plumbing Code National Plumbing Code of Canada ASME A112.19.2-2018/CSA B45.1-18
Grey Gris	Center Centre	1 pc	