

ASSEMBLY INSTRUCTIONS



Fine Furniture for every stage of life

Motion Sofa

ASSEMBLY INSTRUCTIONS

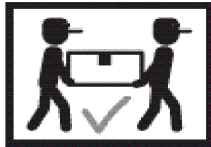
ASSEMBLY TIPS:

- 1.Remove hardware from box and sort by size.
- 2.Please check to see that all hardware and parts are present prior to start of assembly.
- 3.Please follow attached instructions in the same sequence as numbered to assure fast & easy assembly.

WARNING



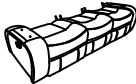





- 1.Don't attempt to repair or modify parts that are broken or defective. Please contact the store immediately.
- 2.This product is for home use only and not intended for commercial establishments.



ASSEMBLY TIME

5 MINUTES

PARTS IDENTIFICATION

A	SEAT		1PC
B	LEFT BACK		1PC
C	MIDDLE BACK		1PC
D	RIGHT BACK		1PC
E	LEFT ARM		1PC
F	RIGHT ARM		1PC

HARDWARE IDENTIFICATION

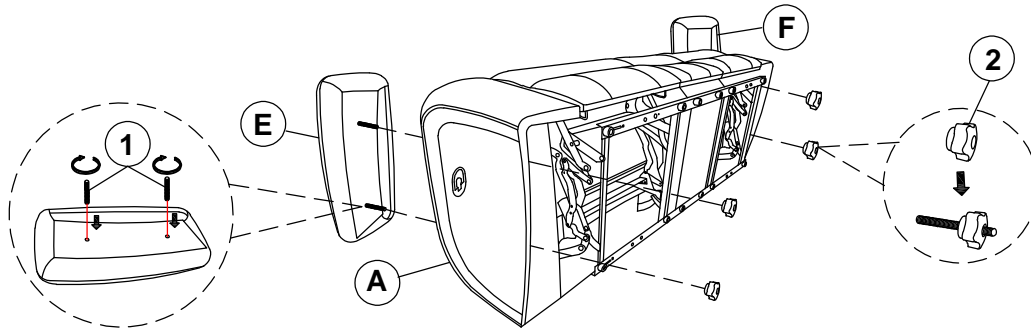
1	THREADED BOLT (Φ5/16")		4PCS
2	NUT (Φ5/16"*90L)		4PCS

NOTE:

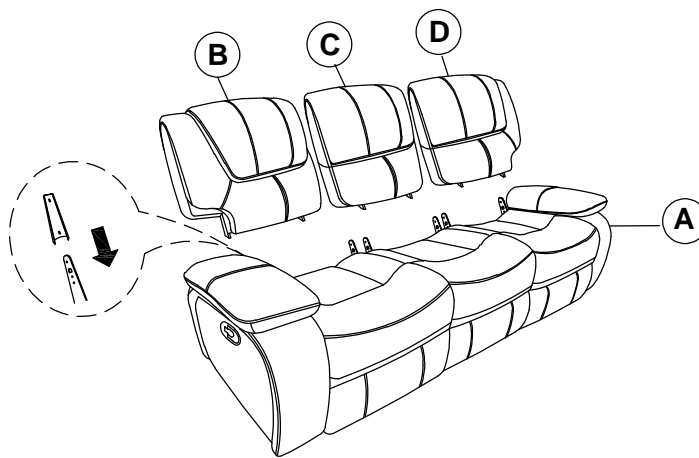
Phillips head screw driver is required in the assembly process ; however, manufacturer does not provide this item.

ASSEMBLY INSTRUCTIONS

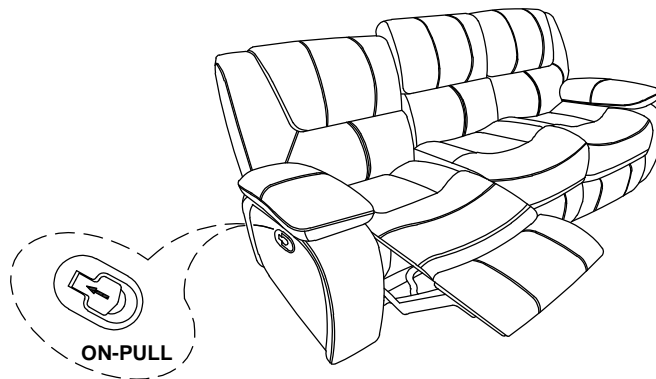
STEP 1



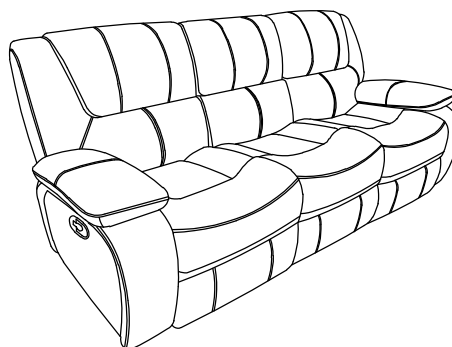
STEP 2

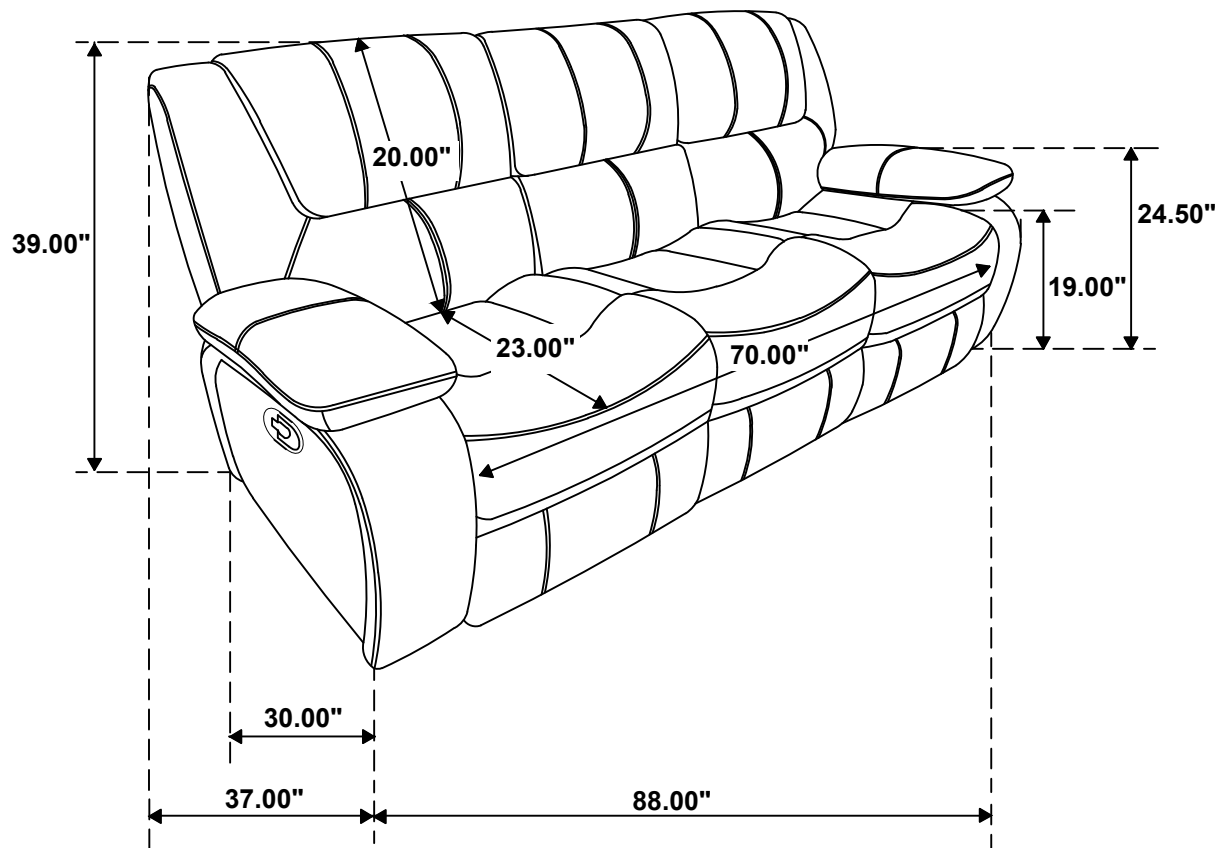


STEP 3



STEP 4 **COMPLETE**





Note: Dimension tolerance $\pm 5\%$

ASSEMBLY INSTRUCTIONS



Fine Furniture for every stage of life

Motion LoveSeat

ASSEMBLY INSTRUCTIONS

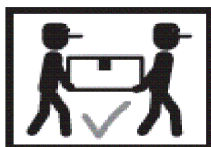
ASSEMBLY TIPS:

- 1.Remove hardware from box and sort by size.
- 2.Please check to see that all hardware and parts are present prior to start of assembly.
- 3.Please follow attached instructions in the same sequence as numbered to assure fast & easy assembly.



WARNING

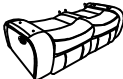




- 1.Don't attempt to repair or modify parts that are broken or defective. Please contact the store immediately.
- 2.This product is for home use only and not intended for commercial establishments.



ASSEMBLY TIME

5 MINUTES

PARTS IDENTIFICATION

A	SEAT		1PC
B	LEFT BACK		1PC
C	RIGHT BACK		1PC
D	LEFT ARM		1PC
E	RIGHT ARM		1PC

HARDWARE IDENTIFICATION

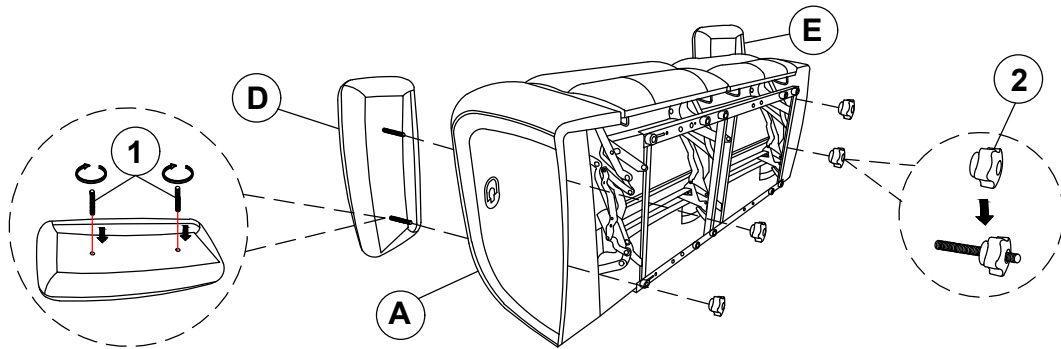
1	THREADED BOLT ($\Phi 5/16''$)		4PCS
2	NUT ($\Phi 5/16'' \times 90L$)		4PCS

NOTE:

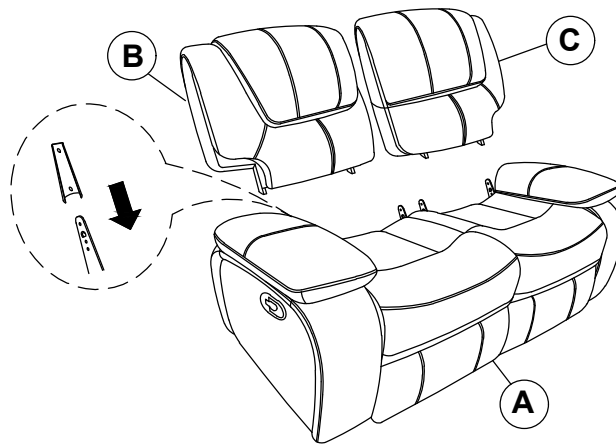
Phillips head screw driver is required in the assembly process ; however, manufacturer does not provide this item.

ASSEMBLY INSTRUCTIONS

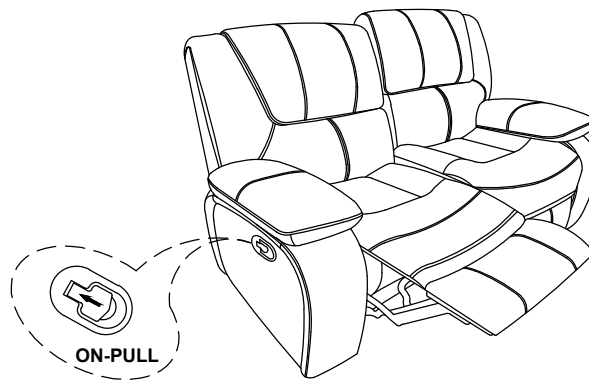
STEP 1



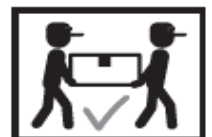
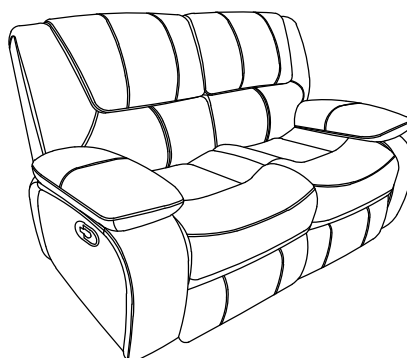
STEP 2

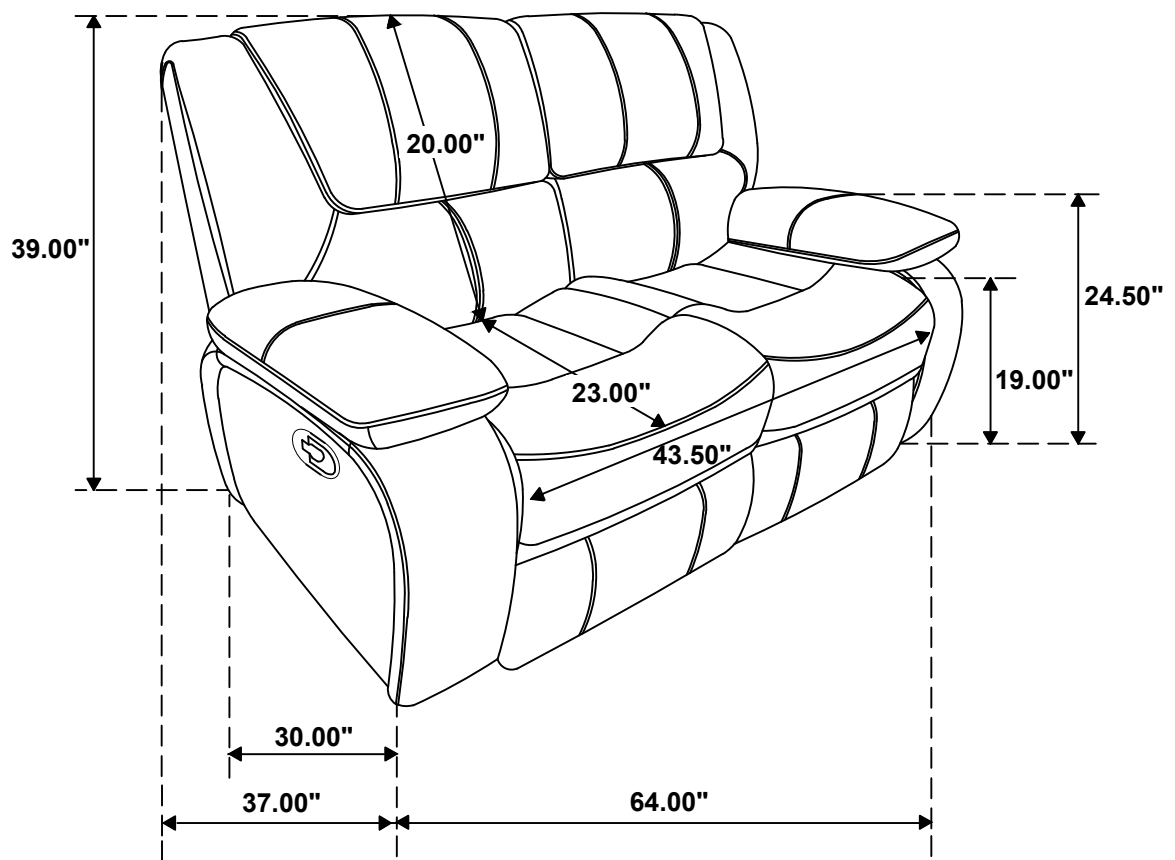


STEP 3



STEP 4 COMPLETE





Note: Dimension tolerance $\pm 5\%$

ASSEMBLY INSTRUCTIONS



Fine Furniture for every stage of life

Glider Recliner

ASSEMBLY INSTRUCTIONS

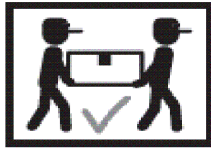
ASSEMBLY TIPS:

- 1.Remove hardware from box and sort by size.
- 2.Please check to see that all hardware and parts are present prior to start of assembly.
- 3.Please follow attached instructions in the same sequence as numbered to assure fast & easy assembly.

WARNING



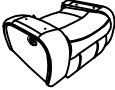



- 1.Don't attempt to repair or modify parts that are broken or defective. Please contact the store immediately.
- 2.This product is for home use only and not intended for commercial establishments.



ASSEMBLY TIME

5 MINUTES

PARTS IDENTIFICATION

A	SEAT		1PC
B	BACK		1PC
C	LEFT ARM		1PC
D	RIGHT ARM		1PC

HARDWARE IDENTIFICATION

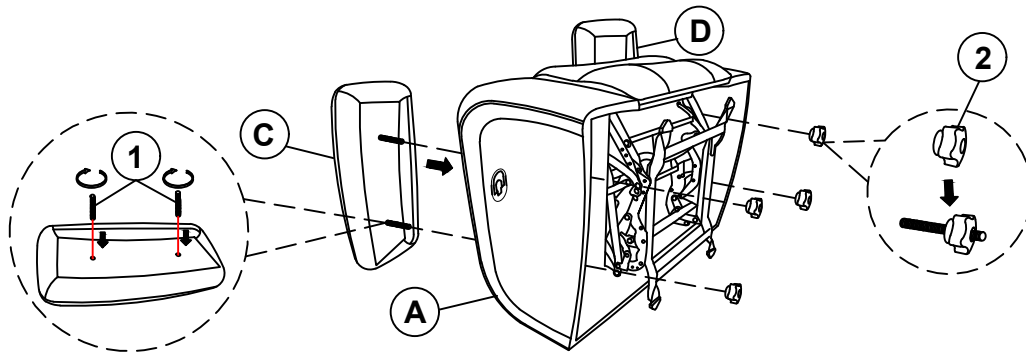
1	THREADED BOLT (Φ5/16")		4PCS
2	NUT (Φ5/16**90L)		4PCS

NOTE:

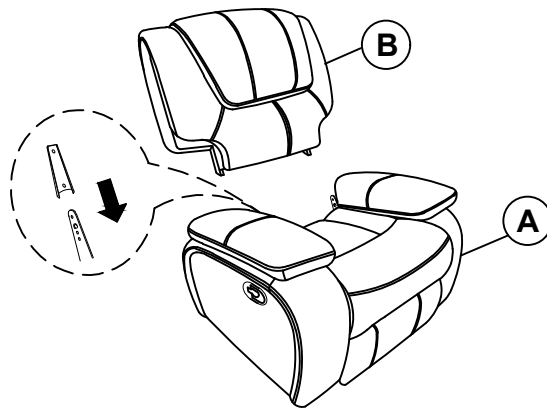
Phillips head screw driver is required in the assembly process ; however, manufacturer does not provide this item.

ASSEMBLY INSTRUCTIONS

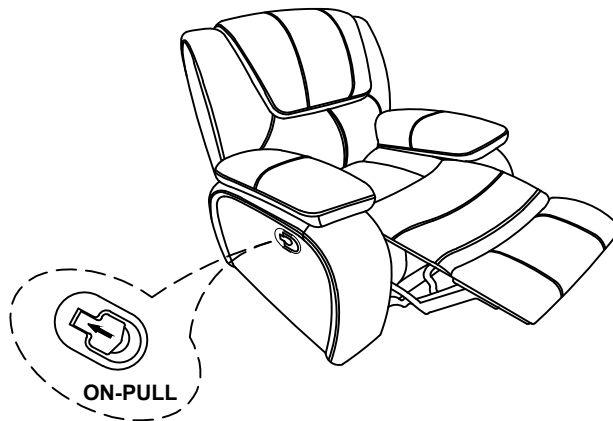
STEP 1



STEP 2

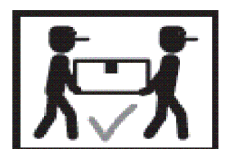
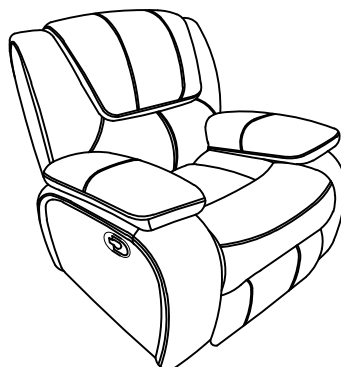


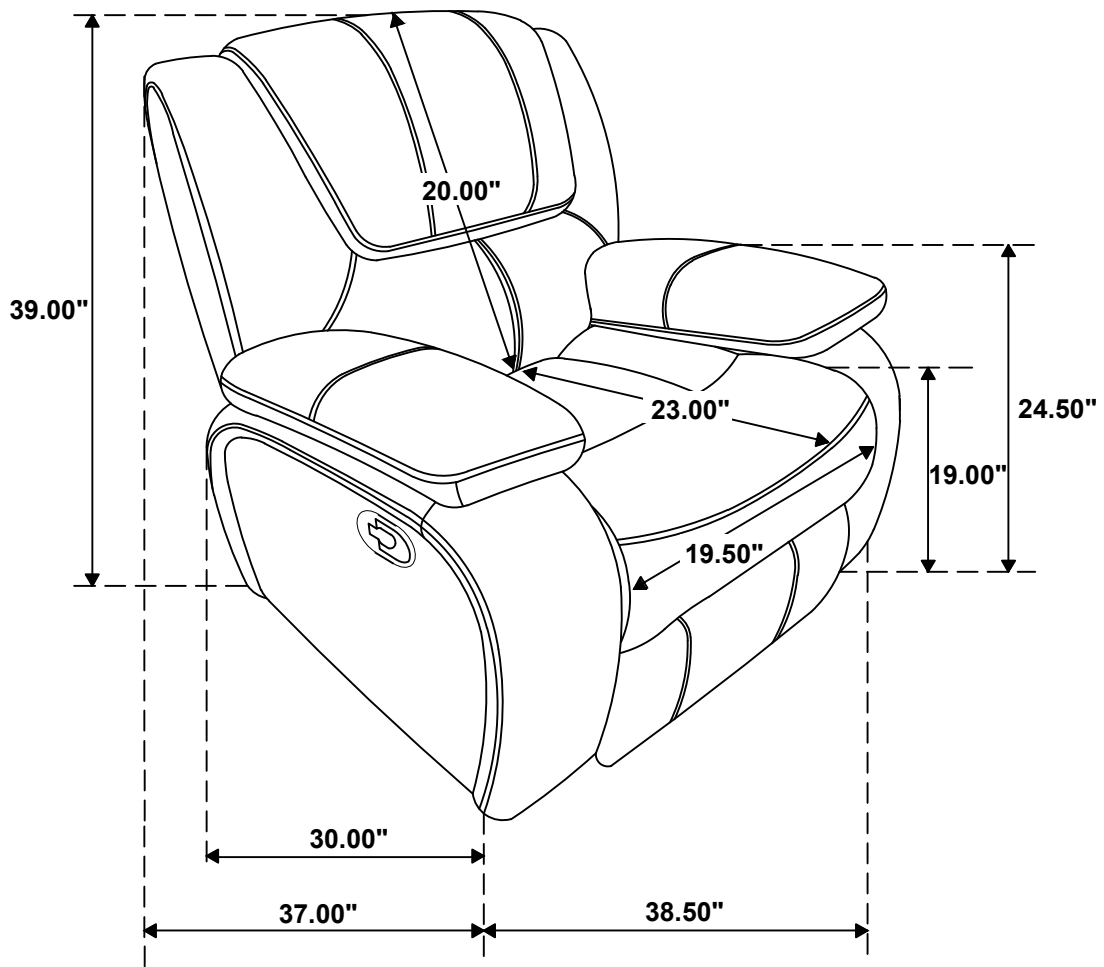
STEP 3



STEP 4

COMPLETE





Note: Dimension tolerance $\pm 5\%$