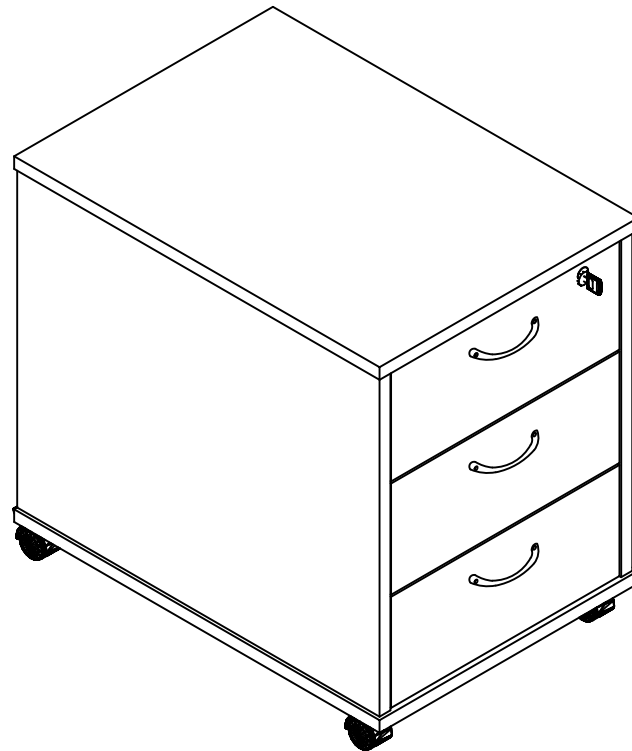
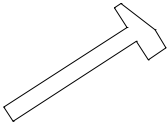
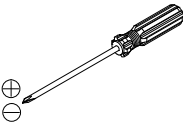
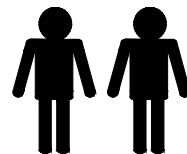












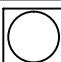



# Assembly Instruction

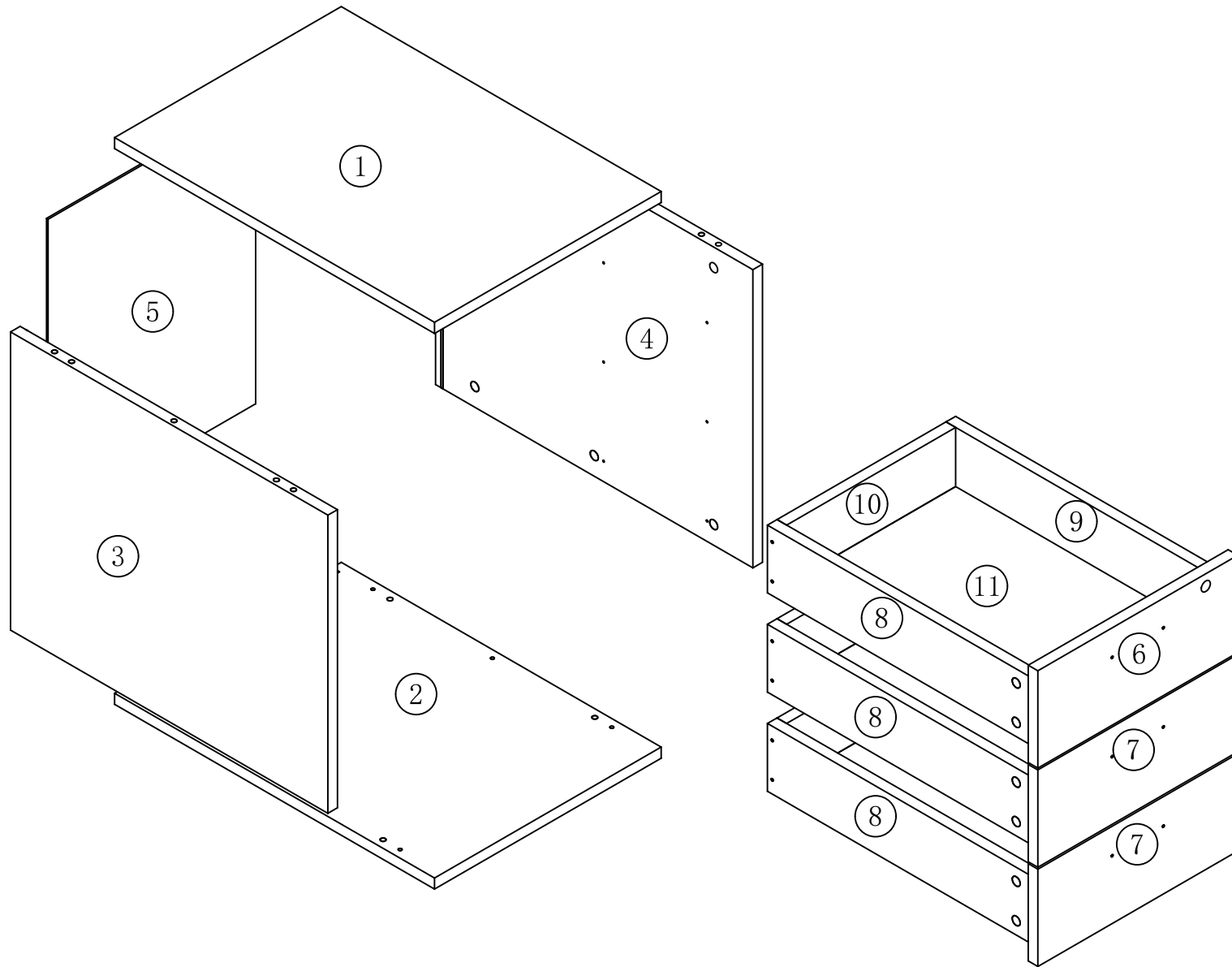



  
 Hammer and Screwdriver  
 are not included !!



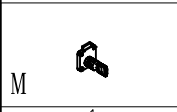
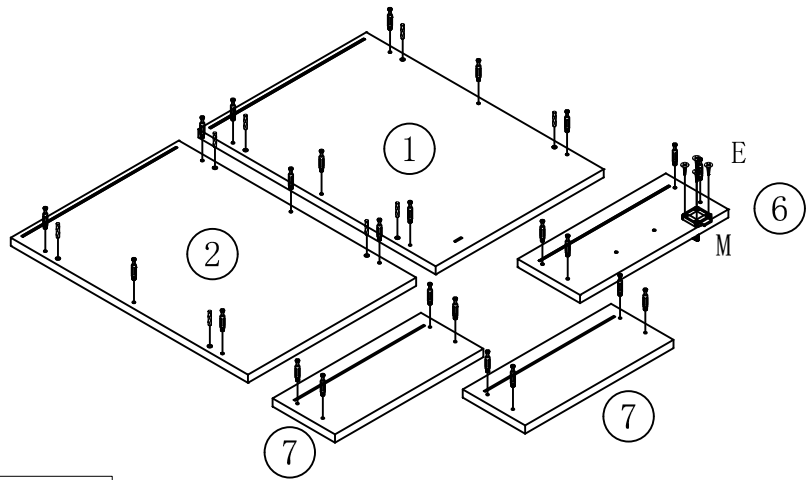
NO.	QTY.	LINEDRAWING
(A)	24	
(B)	24	
(C)	8	
(D)	12	 Ø3.5x35
(E)	50	 Ø3.5x14
(F)	3	
(G)	3	
(H)	6	
(I)	2	
(J)	2	
(K)	4	  Ø3x14
(L)	24	 Ø20
(M)	1	

# PARTS LIST

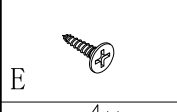


NO.	QTY.
①	1
②	1
③	1
④	1
⑤	1
⑥	1
⑦	2
⑧	3
⑨	3
⑩	3
⑪	3

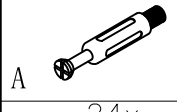
1



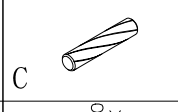
1x



4x

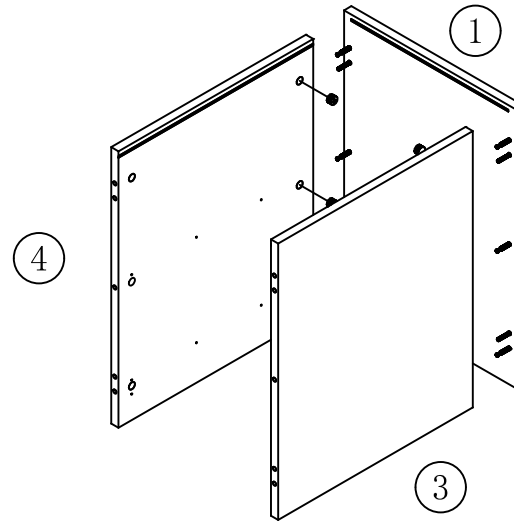


24x



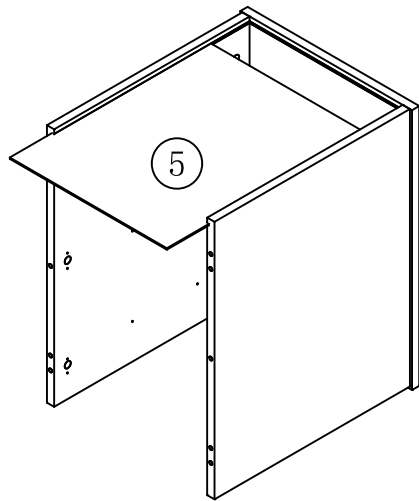
8x

2

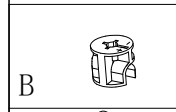
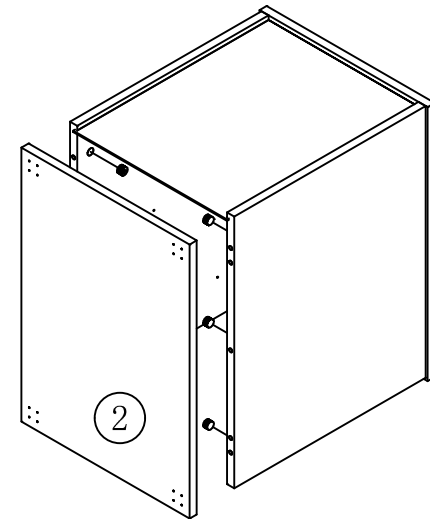


6x

3

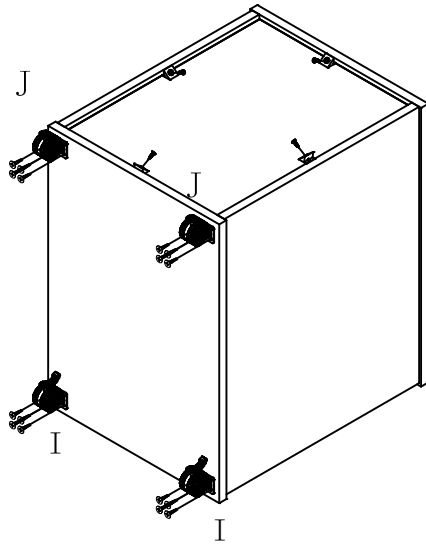


4



6x

5



4x



2x

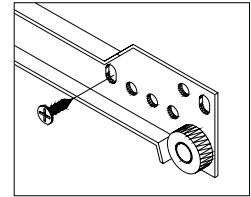
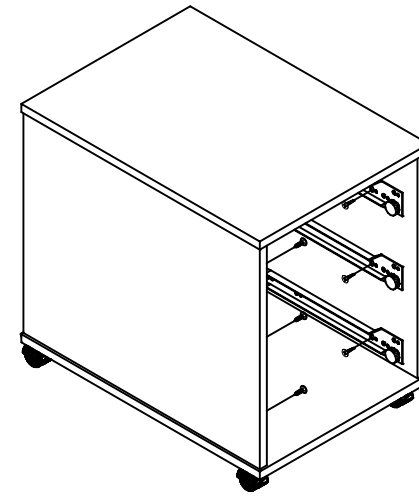


16x



2x

6

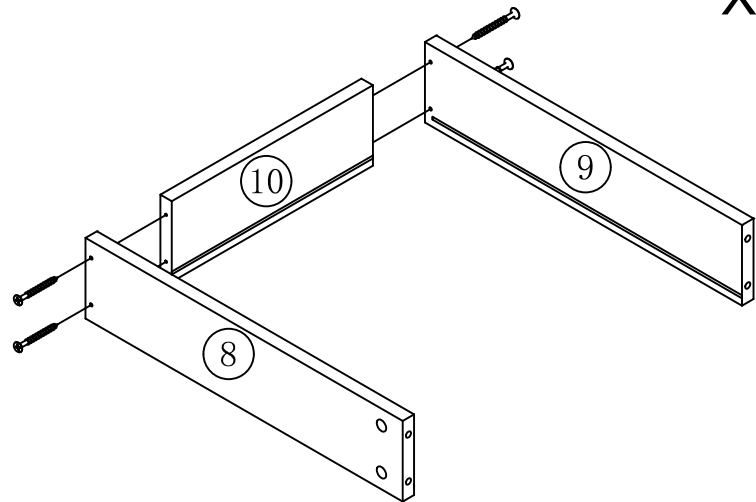


3x

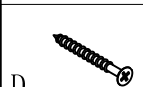


12x

7

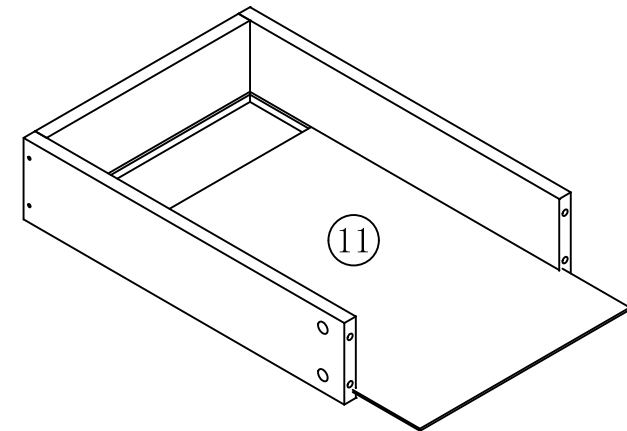


X3



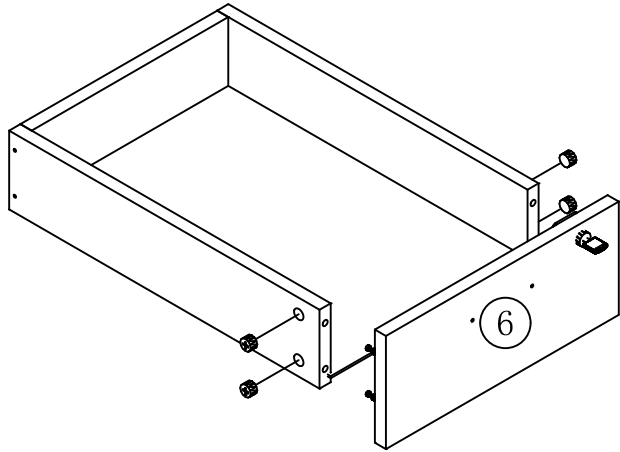
12x

8



X3

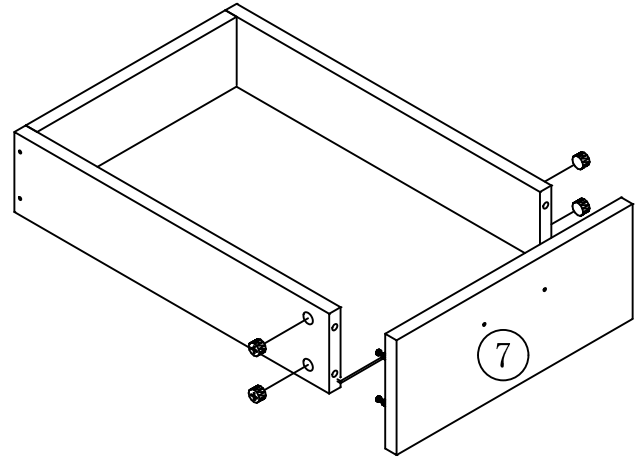
9



B  
4x

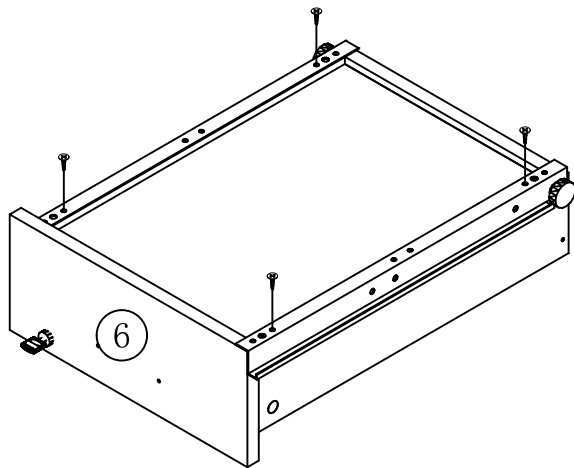
10

X2



B  
8x

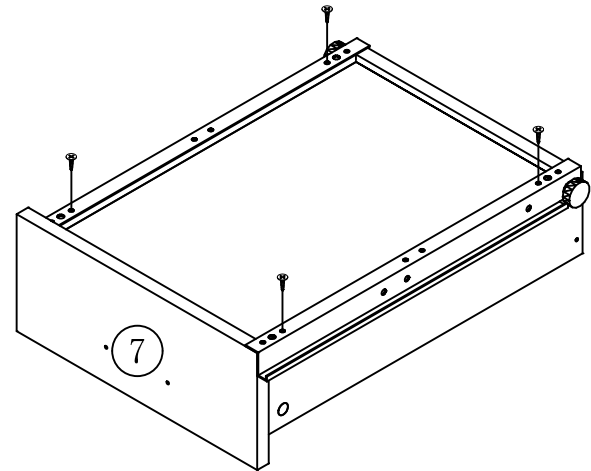
11



E 4x  
F 1x

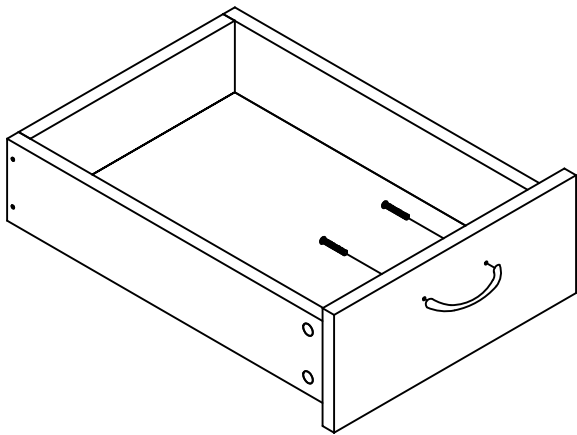
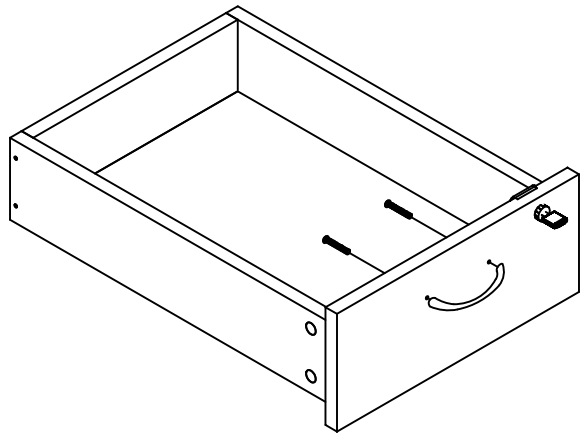
12

X2

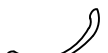



E 8x  
F 2x

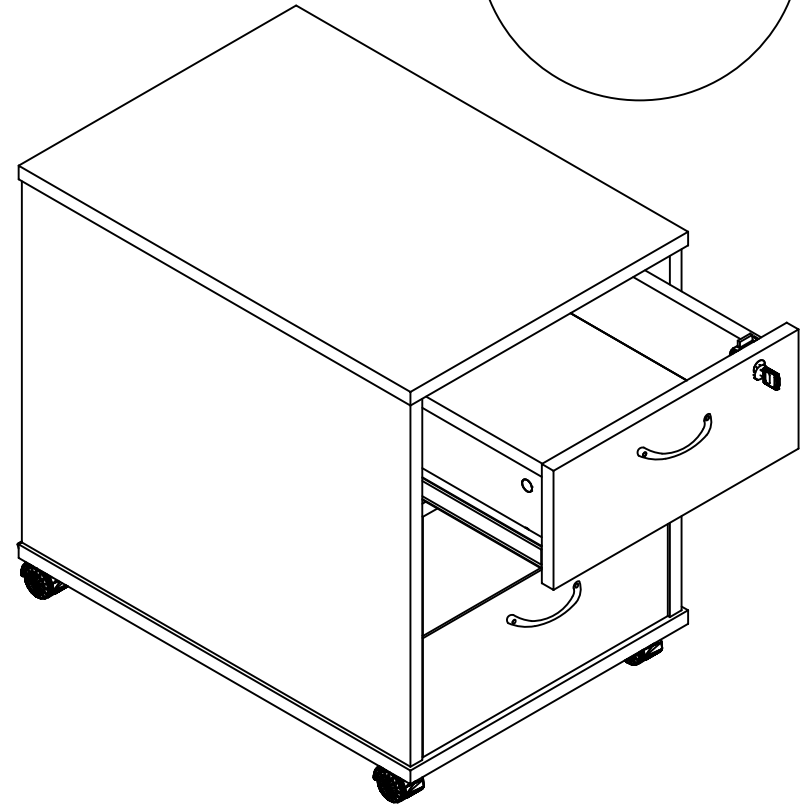
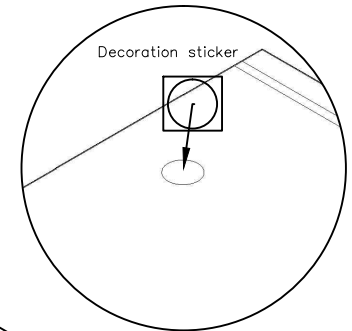
13

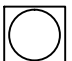



X2

G  3x	H  6x
--	--

14



L  Ø20 24x	E  6x
---	--