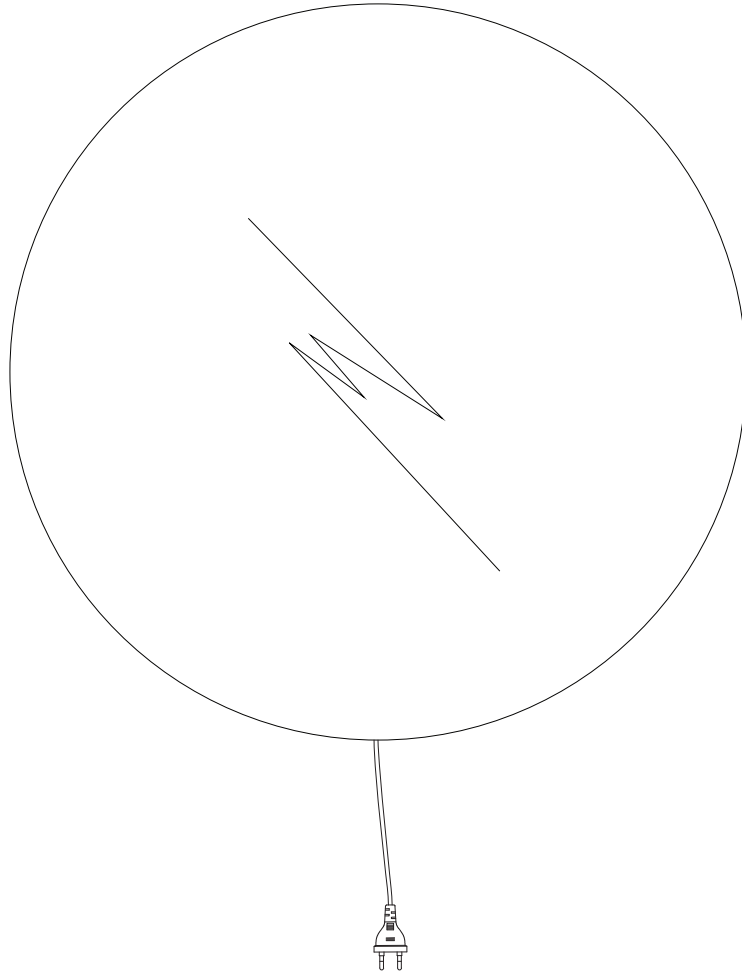


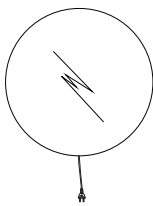
10'

1

A



A



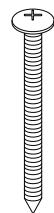
x 1

B



x 2

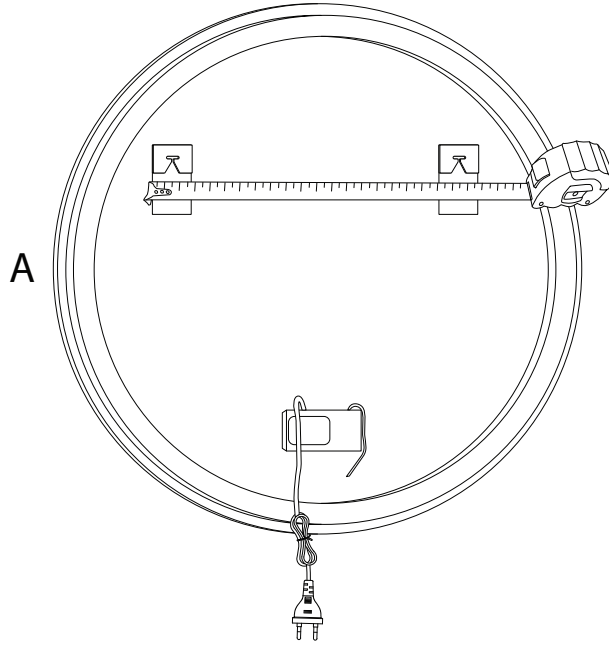
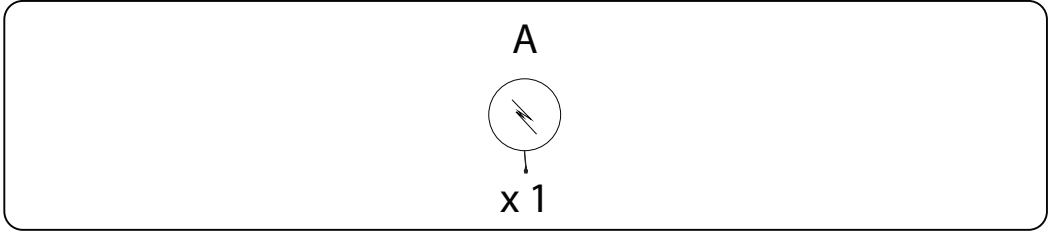
C



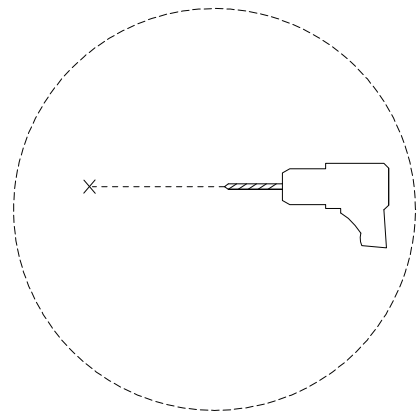
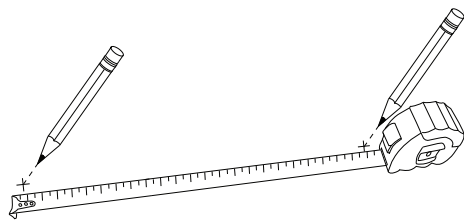
M5  
x  
40

x 2

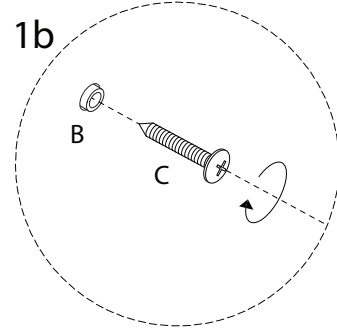
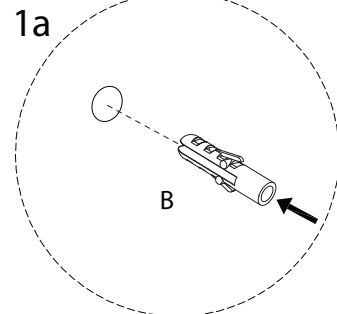
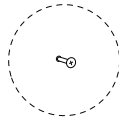
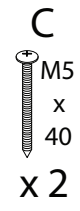
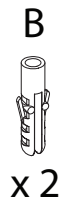
1



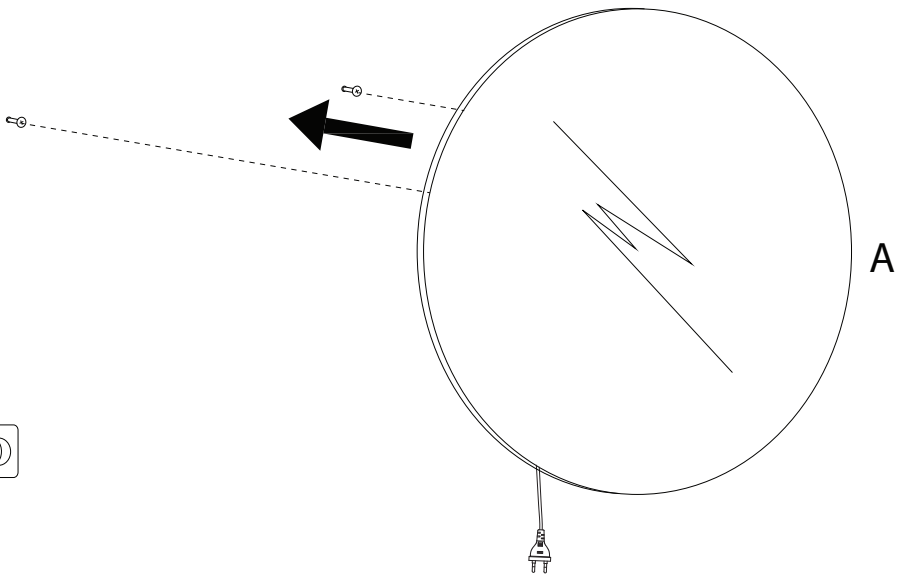
2



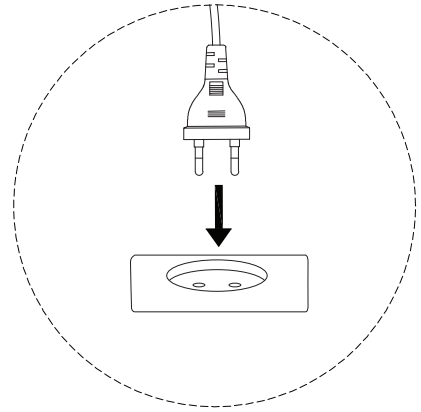
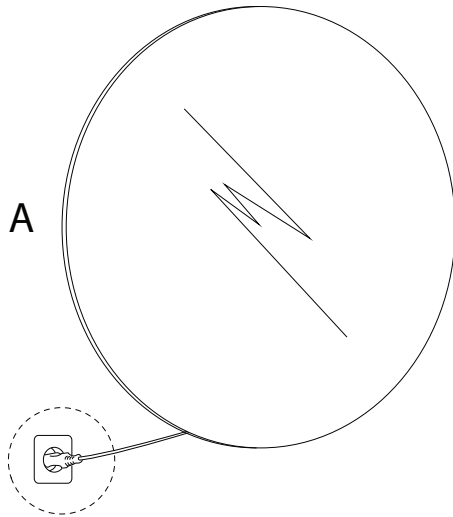
3



4



5



!

