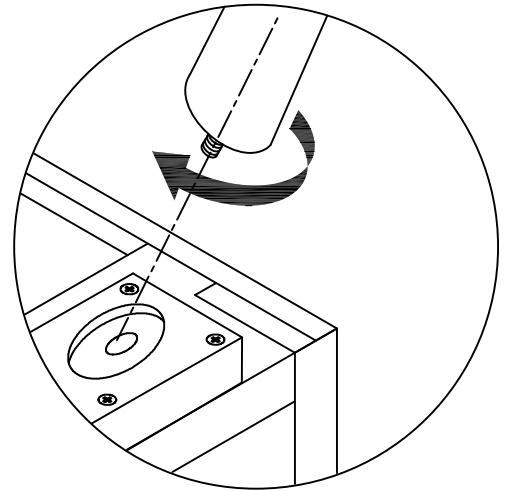
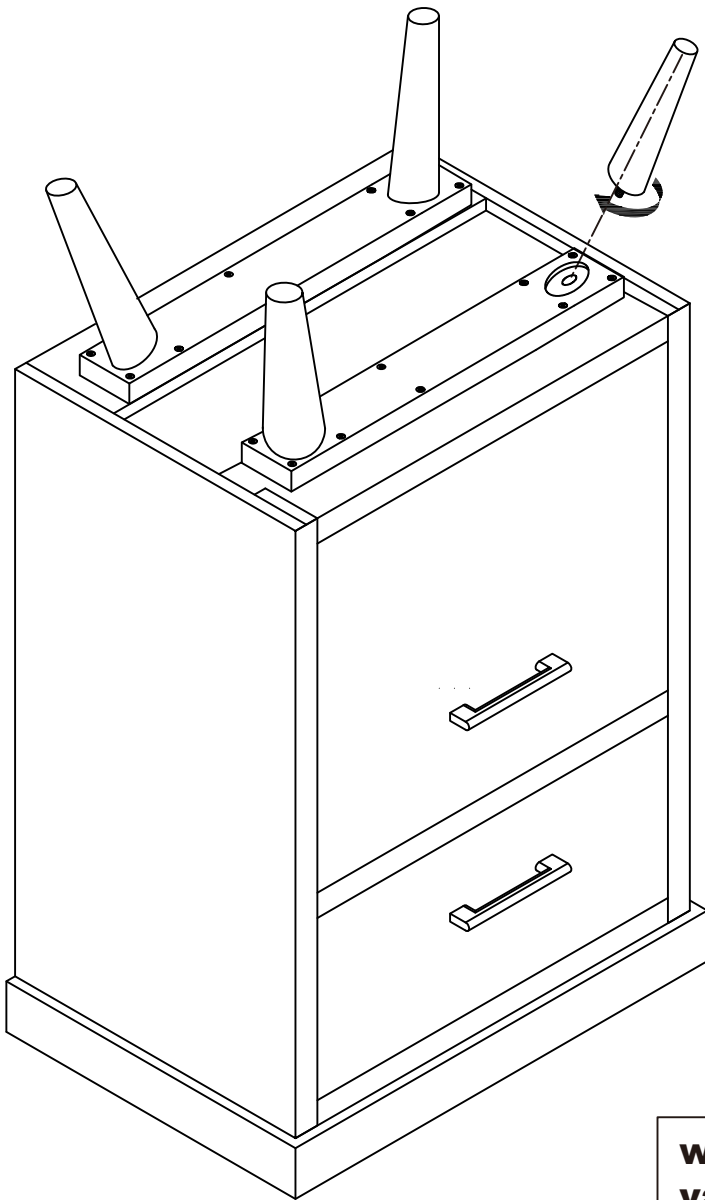


ASSEMBLY INSTRUCTIONS



warning: Use two people to lift the vanity. Upon turning over the vanity upright, do not allow pressure to apply to one single leg or one single side.

Parts list

LEG x4

