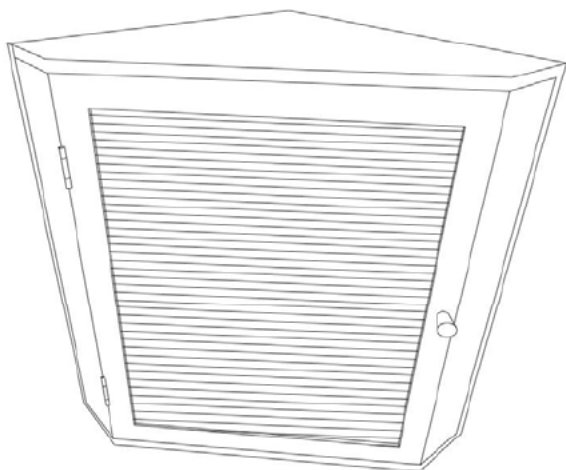


STORAGE CABINET TYPE

STORAGE CABINET TYPE



This is the original instruction, please read all manual instructions carefully before operating. VEVOR reserves a clear interpretation of our user manual. The appearance of the product shall be subject to the product you received. Please forgive us that we won't inform you again if there are any technology or software updates on our product.

ASSEMBLY PRECAUTIONS

1. These instructions must be followed when assembling. Incorrect assembly may result in damage to the product.
2. Wear safety goggles and heavy-duty work gloves during assembly.
3. Do not assemble when tired or when under the influence of alcohol, drugs or medication.
4. Products are used only as intended
5. Keep the assembly area clean and well-lit.
6. Keep bystanders out of the area during assembly.

USE PRECAUTIONS



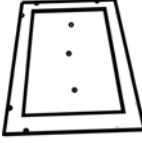
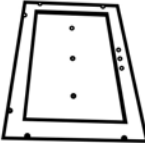



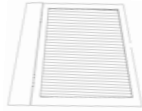








WARNING: TO PREVENT SERIOUS INJURY AND DEATH FROM TIPPING:

1. This product is not a toy. Do not allow children to play with or approach this item.
2. Use as intended only. Do not sit or stand on the product.
3. Inspect before every use. Do not use it if parts are loose or damaged.

GENERAL GUIDELINES

1. Please read the following instruction carefully and use the product accordingly.
2. Please keep this manual and hand it over when you transfer the product.
3. This summary may not include every detail of all variations and considered steps. Please contact us when further information and help are needed.
4. Before assembly, please make sure all accessories are intact. Please handle it gently to avoid bumps, damage or paint chipping when unpacking the product.
5. Bamboo products may have splinters or cracks due to its fiber structure. Please check the product carefully before assembly.
6. Check the tightness of screws and parts regularly.
7. Do not place it in humid place to prevent mildew.
8. Avoid long period of sun exposure. If stain is found, wipe the product with a wet cloth, and dry it in a ventilated place.

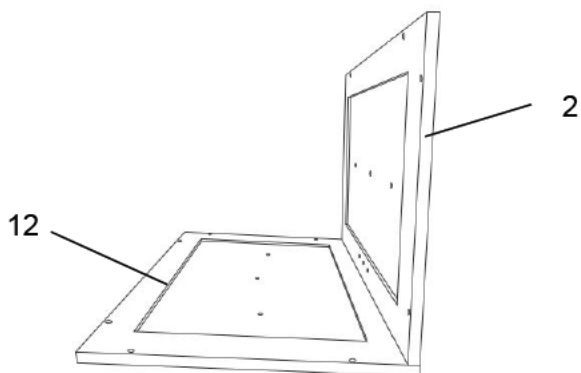
PARTS LIST

No.	1	2	3	4	5
Name	Left side plate	Right-side plate	Baffle plate	Top plate	Bottom plate
Parts					
Quantity	1PCS	1 PCS	1 PCS	1PCS	1PCS
No.	6	7	8	9	10
Name	Cover plate	handle	M5*30 screw	dowel	M3*15 screw
Parts					
Quantity	1PCS	1 PCS	14 PCS	7 PCS	1 PCS
No.	11	12	13	14	
Name	footing	laminated	M3*8 screw	wrench	
Parts					
Quantity	3PCS	1PCS	3PCS	1PCS	

ASSEMBLY STEPS

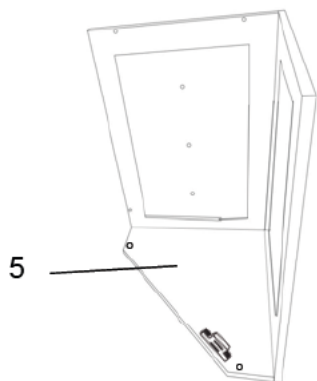
STEP1

As shown in the figure, install the Left side plate (1) and the Right-side plate (2) with M5*30 screws (8)



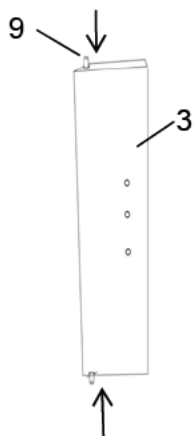
STEP2

Install Bottom plate (5) with M5*30 screws (8)



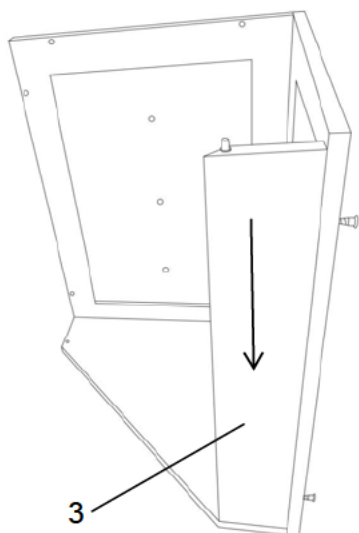
STEP3

Install the dowel (9) onto the Baffle plate (3)



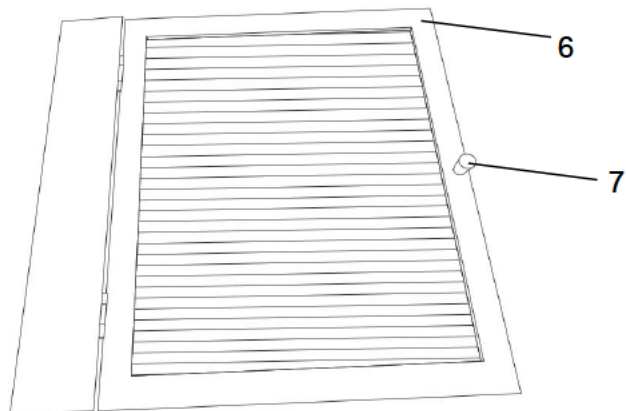
STEP4

Insert the Baffle plate (3) and tighten it with M5*30 screws (8)



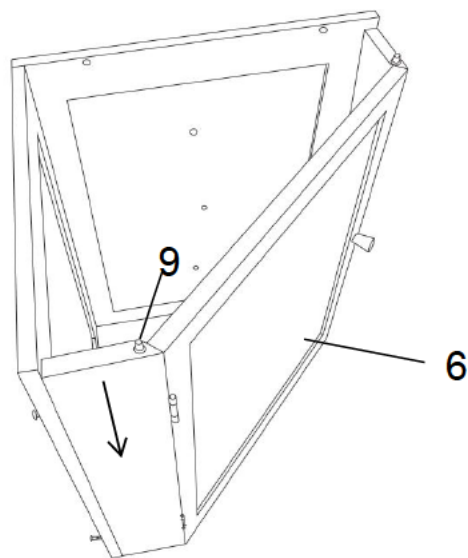
STEP5

Install the handle (7) onto the cover plate (6) with screws (10)



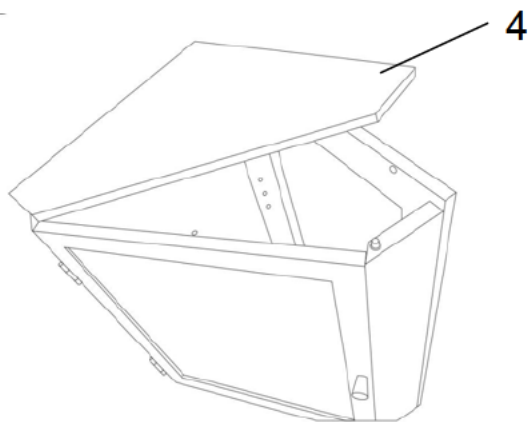
STEP6

As in Step 3, install the dowel (9) onto the cover plate, and then install the cover plate into the frame and lock the screws (8)



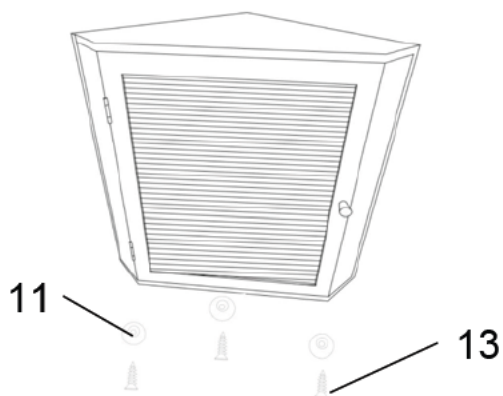
STEP7

Install the Top plate (4)



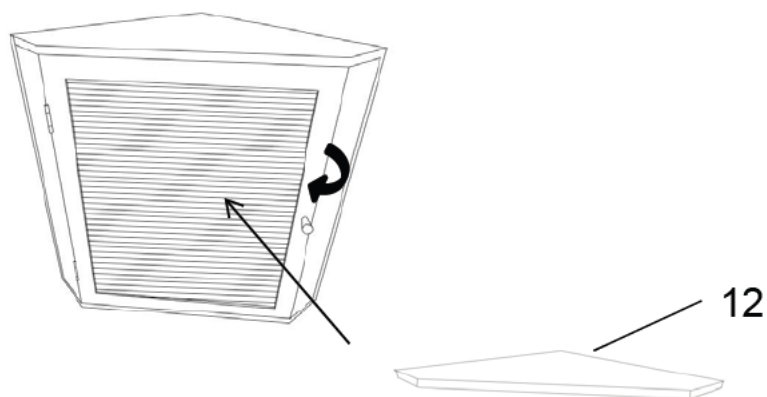
STEP8

Install the footing (11) with the screws (13)



STEP9

Open the Cover plate. Insert the dowel (9) into the left and right side panels and the right board, then place the laminate (12) in. Finished



CLEANING

- For cleaning, wipe the surface with a damp (not wet) cloth or wipe dry with a clean lint free cotton cloth.
- Wood products cleaning solution or similar cleaning solution can be used to clean the surfaces and let dry