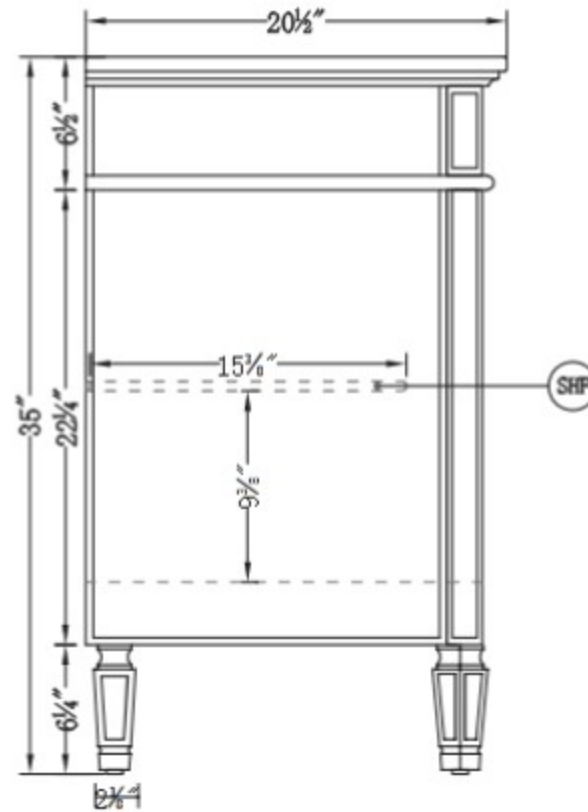
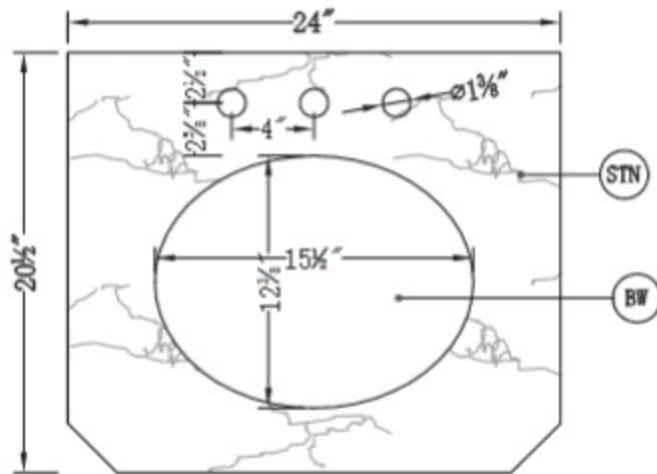


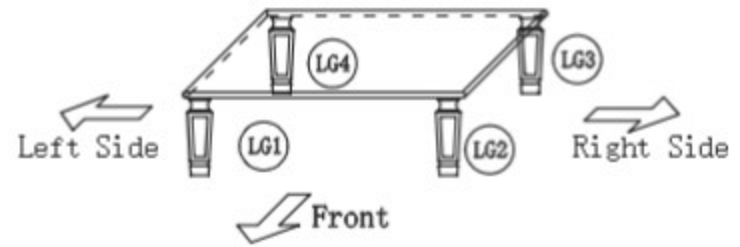
Front view



Side view



Top view



KD leg orientation diagram