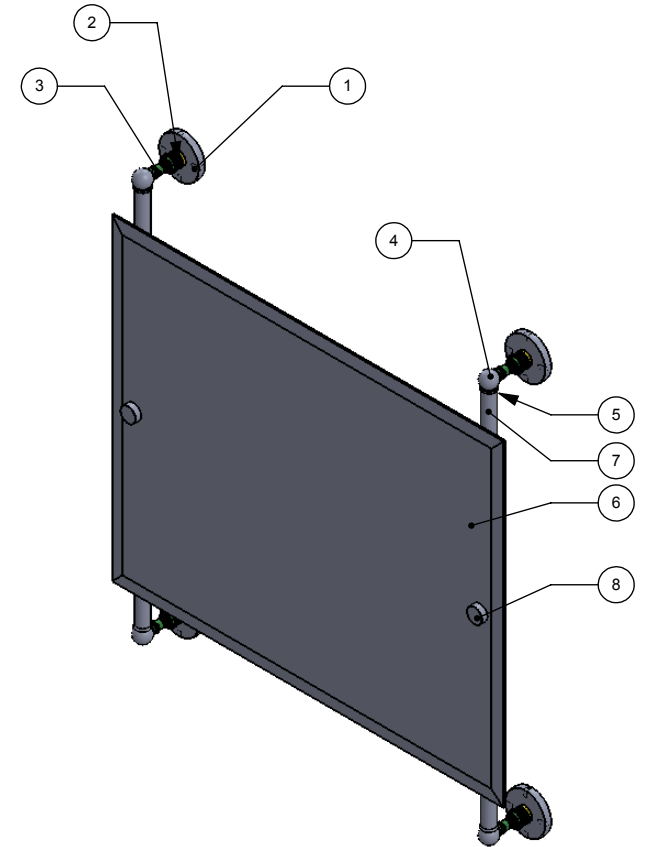
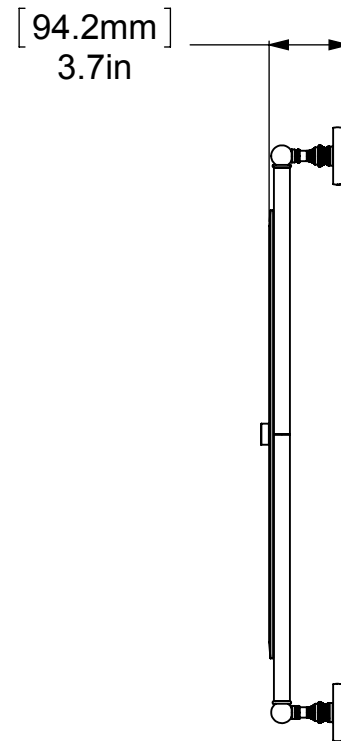
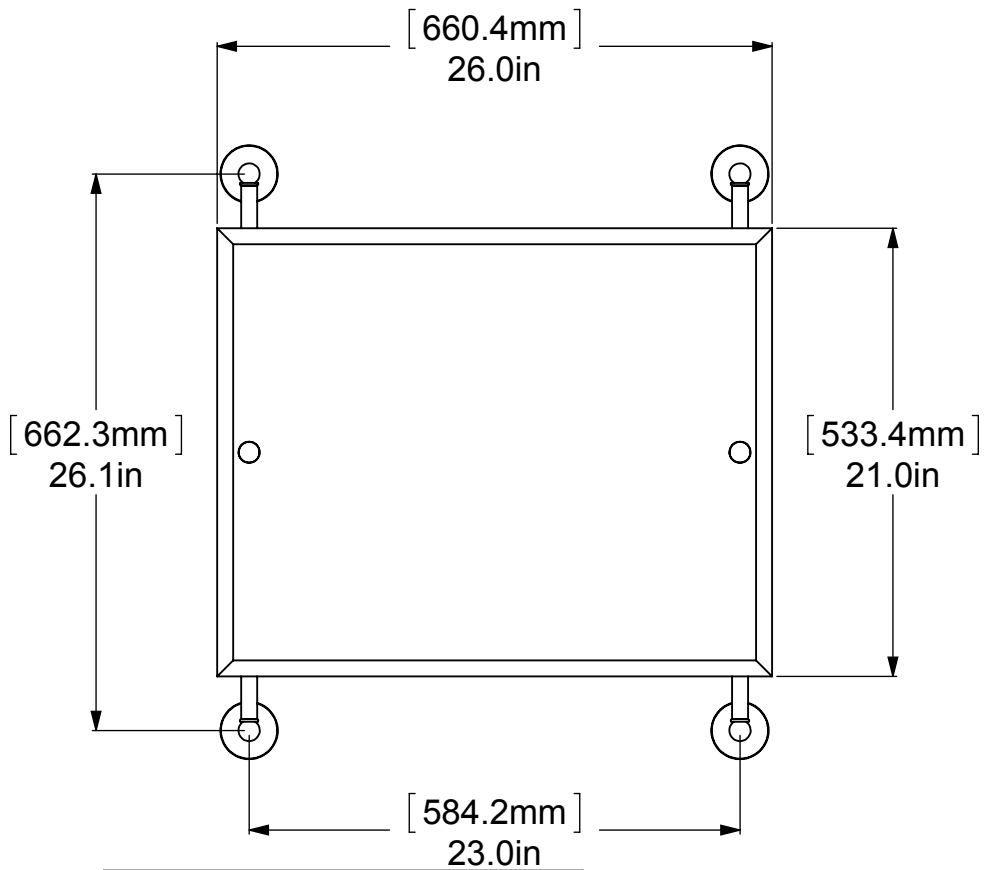


ITEM NO.	Description	QTY.
1	BACKPLATE	4
2	SUPPORT	4
3	NECK	4
4	HUB	4
5	CHECK RING	4
6	MIRROR	1
7	TUBE	2
8	LOCK	2



UNLESS OTHERWISE STATED	
.X	±.3mm
.XX	±.15mm
.XXX	±.008mm