

Greenhouse 10X10FT Manual

Dear customer,

Thank you for your support. If you have any questions or concerns, please don't hesitate to contact us. Our customer service team is always here to help and assist you in any way we can. Thank you again for choosing our greenhouse.

Phone: 3022415039/6605538327

Email: easyhelpservice@yahoo.com

Please contact us by phone or email.

After-sales phone service hours:

US Central Time: 19:00-23:00

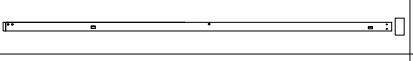
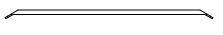
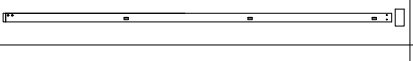
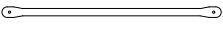
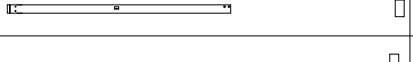
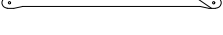
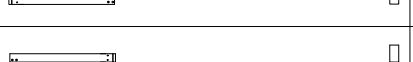
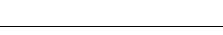
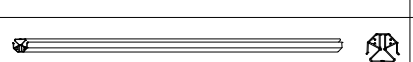
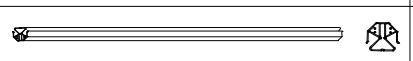

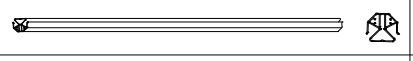
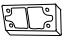





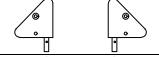
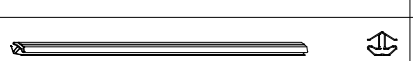
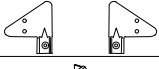


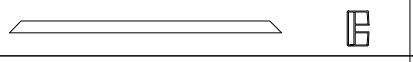
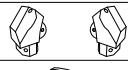


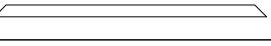
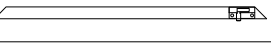

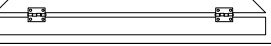
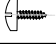
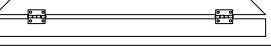






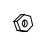







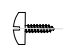
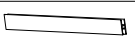


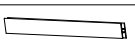
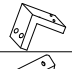

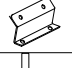

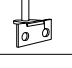
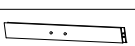

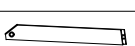

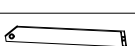
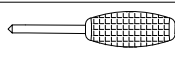

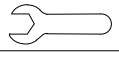

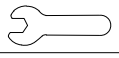
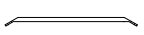
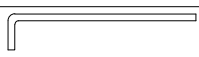
Seattle time: 17:00-21:00


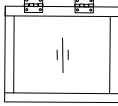
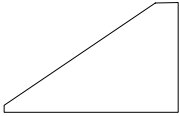

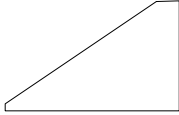
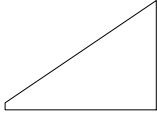

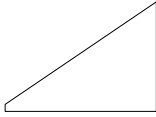
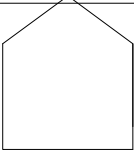

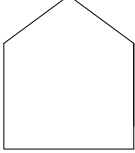
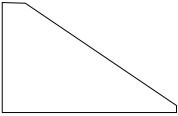

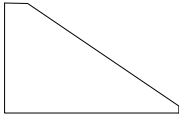
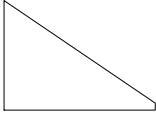

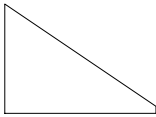
US Eastern Time: 20:00-00:00

Toronto time: 20:00-00:00

Germany time: 8:00-11:00

After-sales mailbox service time: 7*24 hours

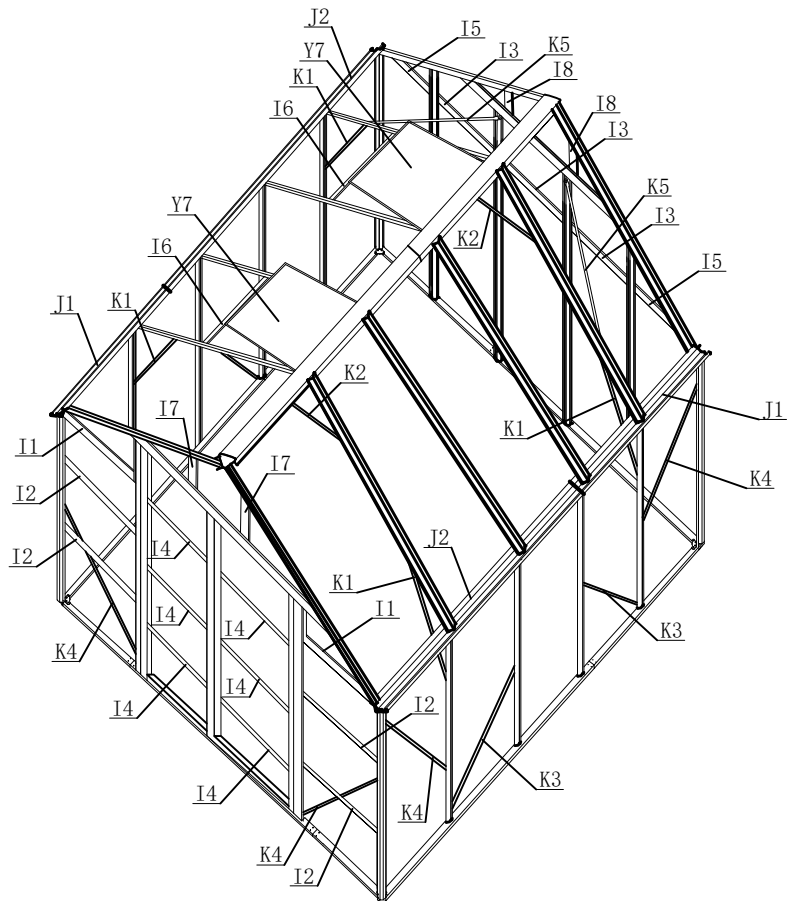
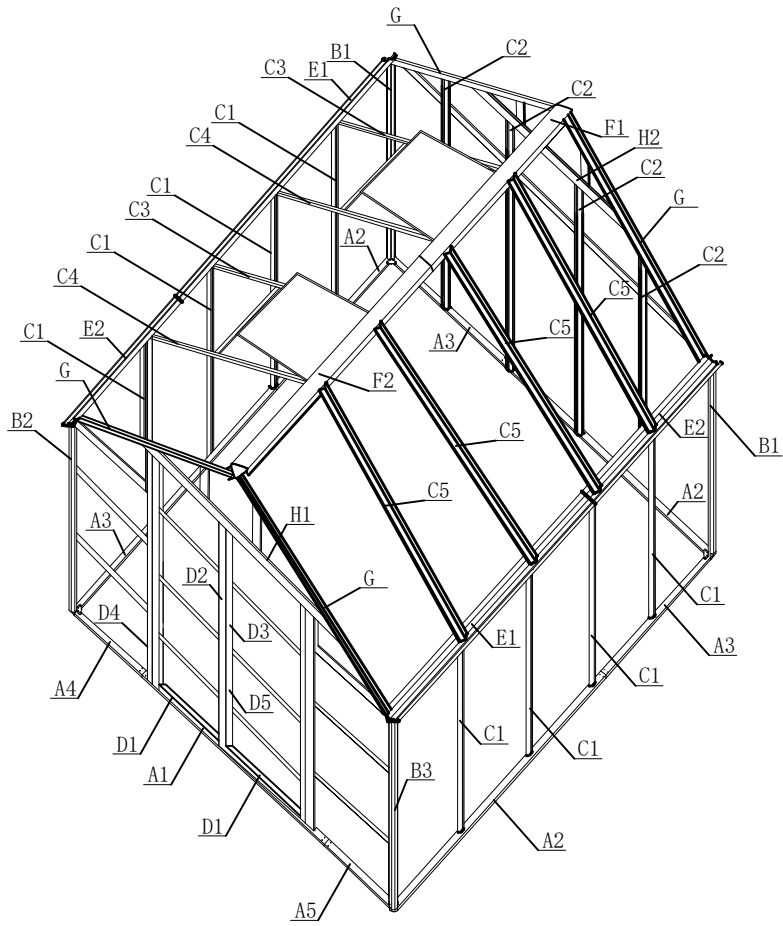
A1		1	K2		2
A2		3	K3		4
A3		3	K4		8
A4		1	K5		2
A5		1			
B1		2	Z1		4
B2		1	Z2		4
B3		1	Z3		1
C1		8	Z4		34
C2		4	Z5		1
C3		2	Z6		1
C4		2	Z7		2
C5		4	Z8		2
D1		4	Z9		2
D2		1			
D3		1	W1	 M5*8	44
D4		1	W2	 M5*16	165
D5		1	W3	 M3*8	8
E1		2	W4	 M3	8
E2		2	W5	 M5*35	4
F1		1	W6	 M5	4
F2		1	W7	 M4*8	8
G		4	W8	 M4.2*16	20
H1		1	W9	 M5*16	10
H2		1	W10	 M5*20	16
I1		2			
I2		4	X1		4
I3		3	X2		8
I4		6	X3		2
I5		2	X4		2
I6		2	X5		2
I7		2	X6		4
I8		2	X7		1
J1		2	X8		1
J2		2	X9		1
K1		4	X10		8

Y1		15	Y7		2	Y13		1
Y2		8	Y8		1	Y14		1
Y3		2	Y9		1	Y15		1
Y4		6	Y10		1	Y16		1
Y5		8	Y11		1	Y17		1
Y6		3	Y12		1			

IMPORTANT !

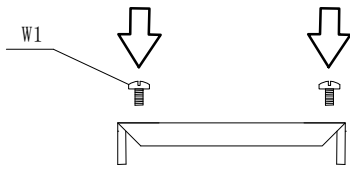
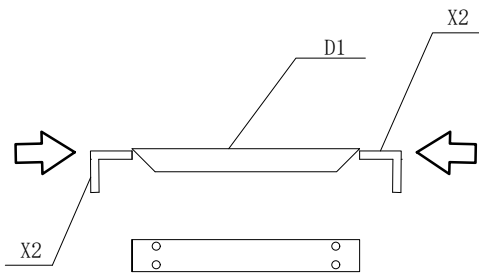
Please read all instructions carefully before assembly. It is best to familiarize yourself with the parts and collate the appropriate parts for each step.

The red lettering side of the sun panel faces inside the product and the white lettering side faces the sun.

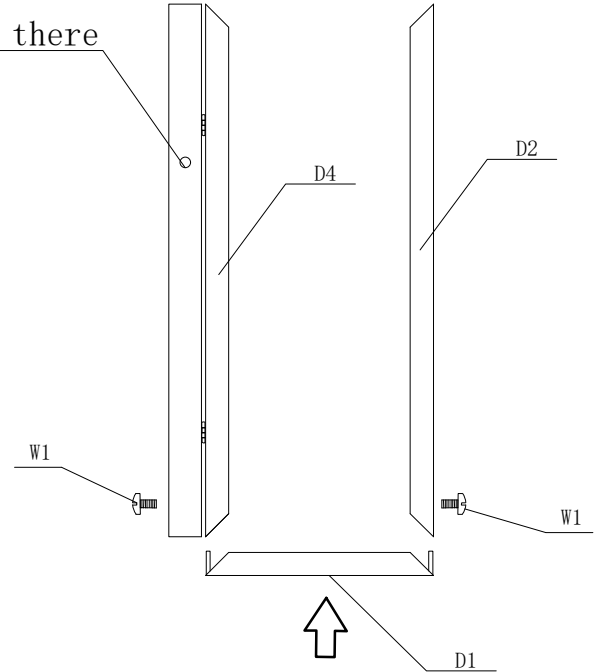


1. Connect door frame D1 with corner part X2 and tighten the screws

2. Connect door frame D1 with D4 and D2 and tighten screws W1



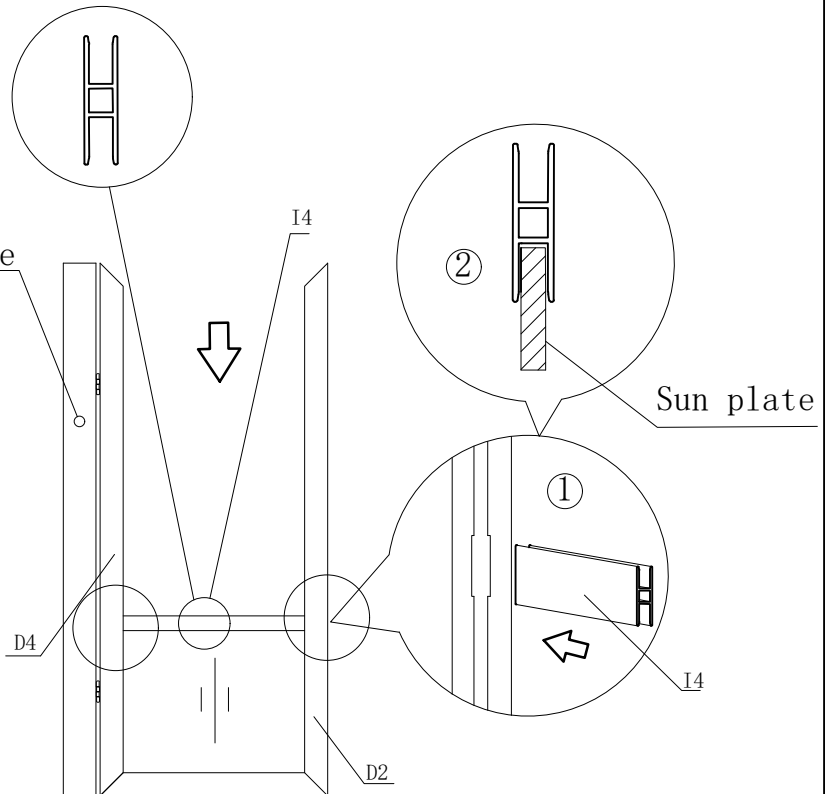
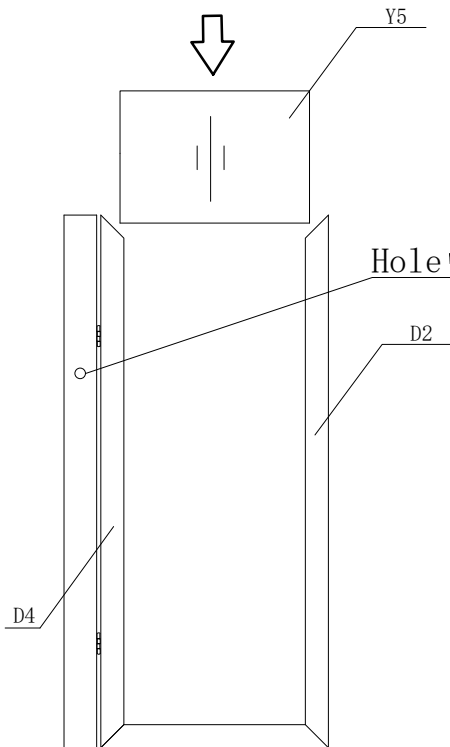
Hole's up there



1

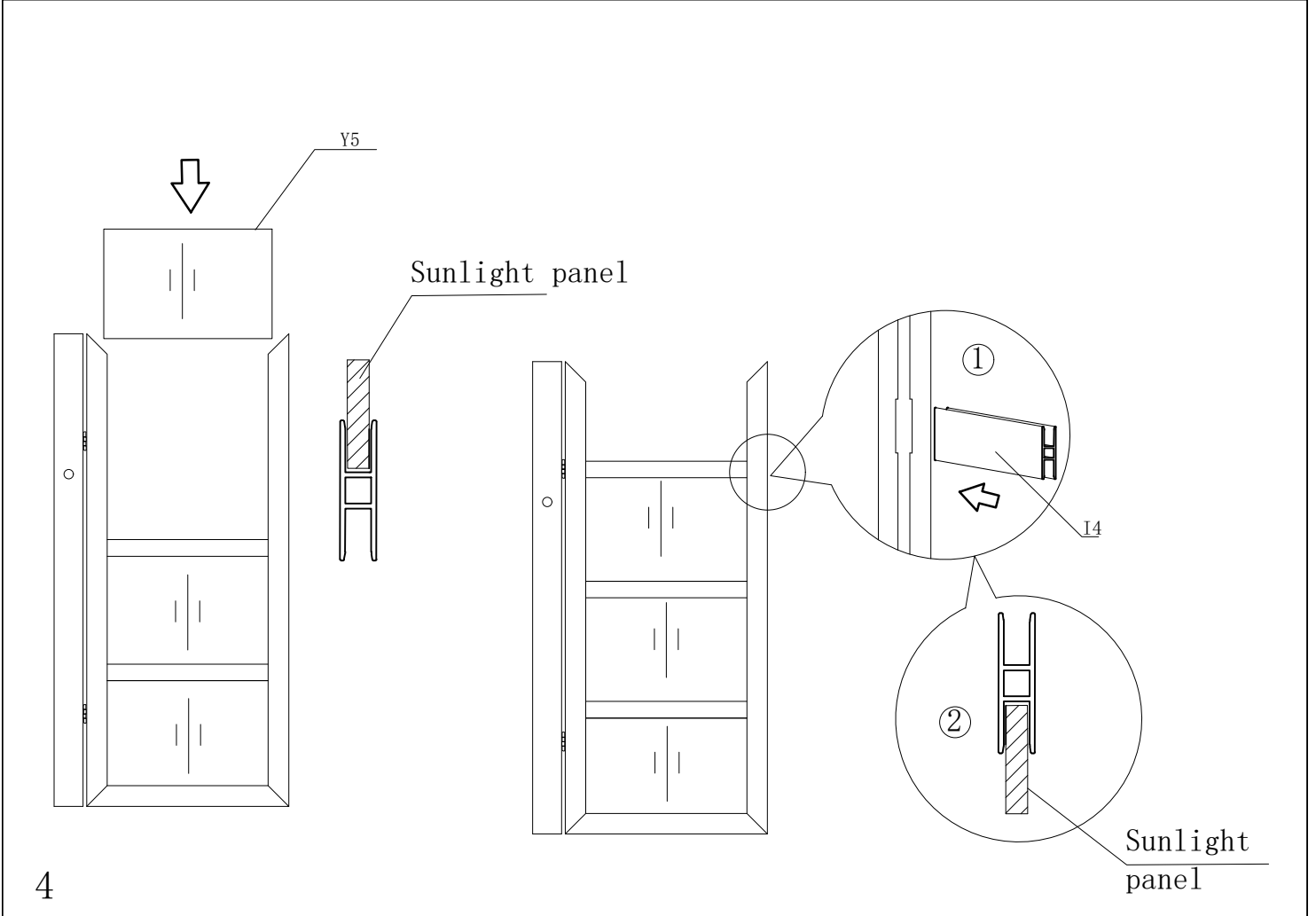
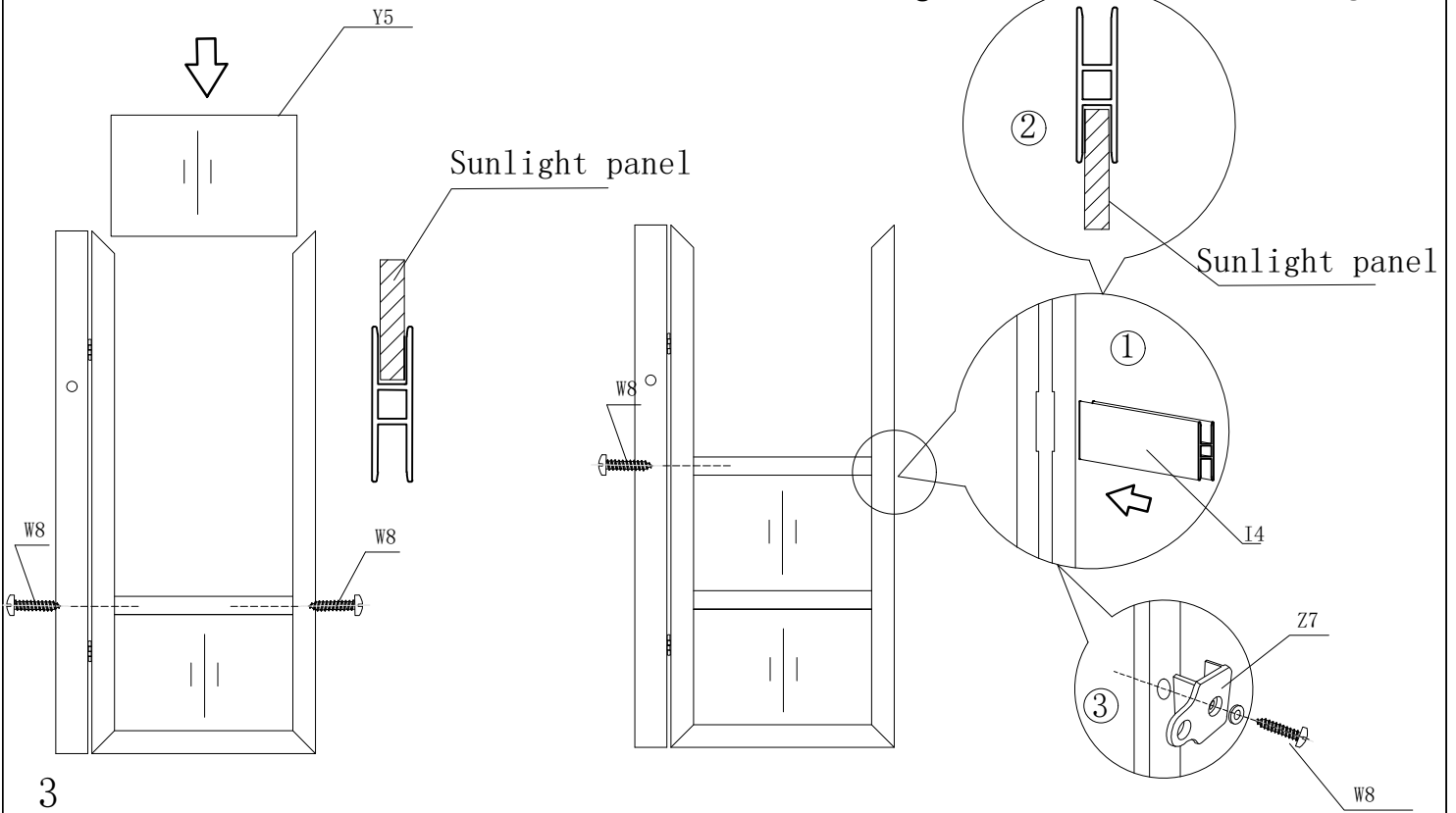
1 Insert the sunlight panel (the transparent plastic board) Y5 into the slot of the door frame D2 and D4

2 Insert the partition board of sunlight panel I4 into the slot of D2 and D4, as shown in Figure 1

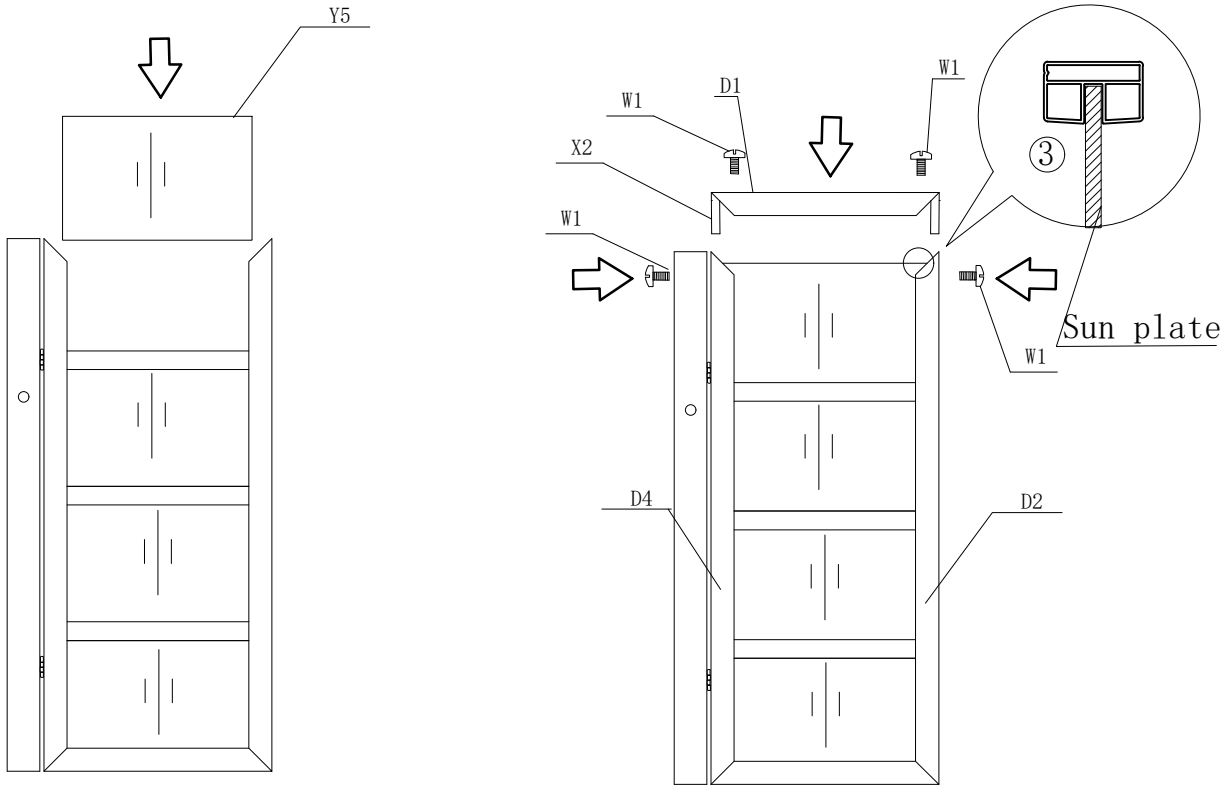


2

- 1 Tighten both self tapping screws W8, as shown in Figure 1
- 2 Insert the sunlight panel (the transparent plastic board) Y5, as shown in Figure 2
- 3 Insert door frame D1 and tighten screw W1, as shown in Figure 3

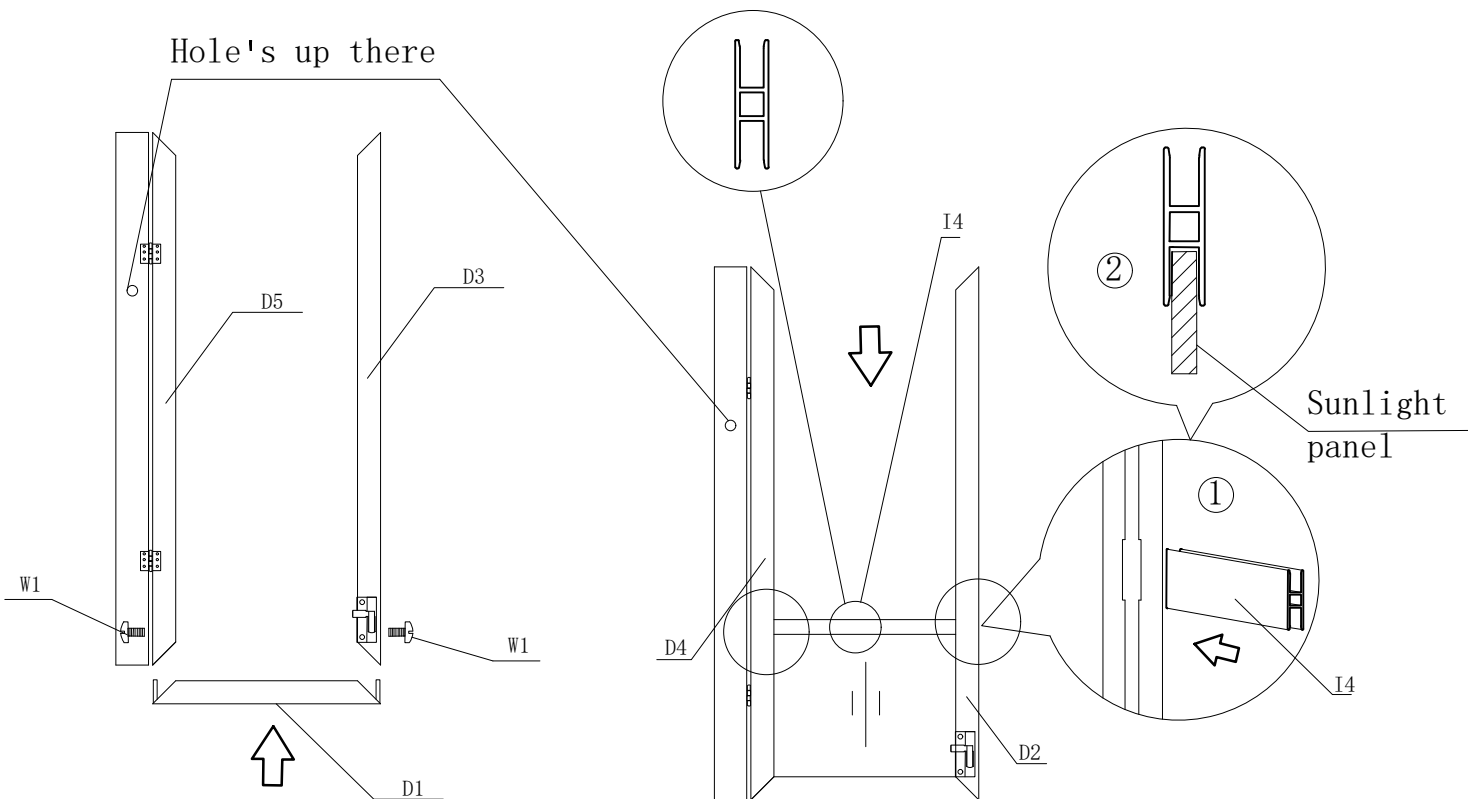


Connect door frame D1 with D4 and D2 and tighten screws W1



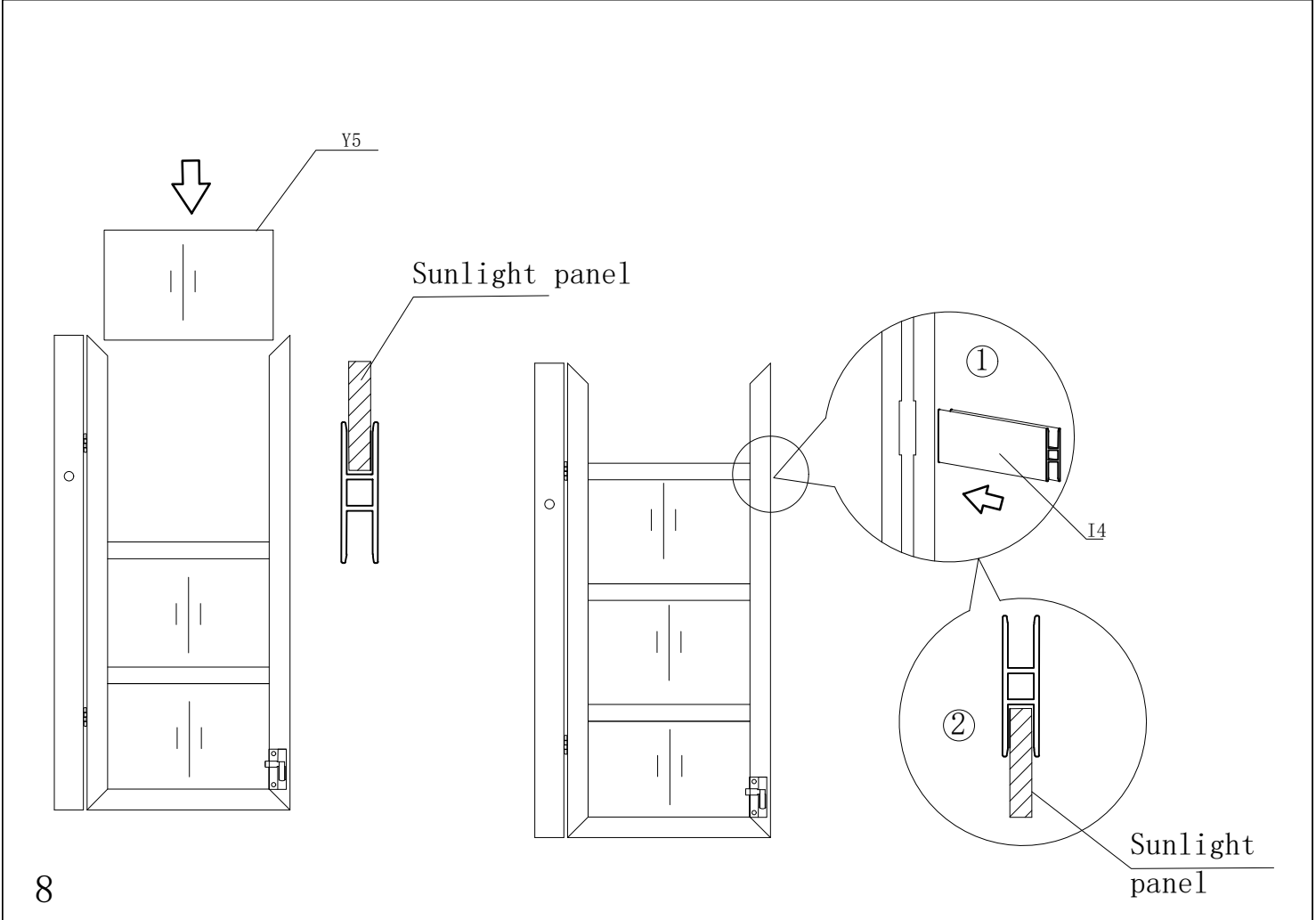
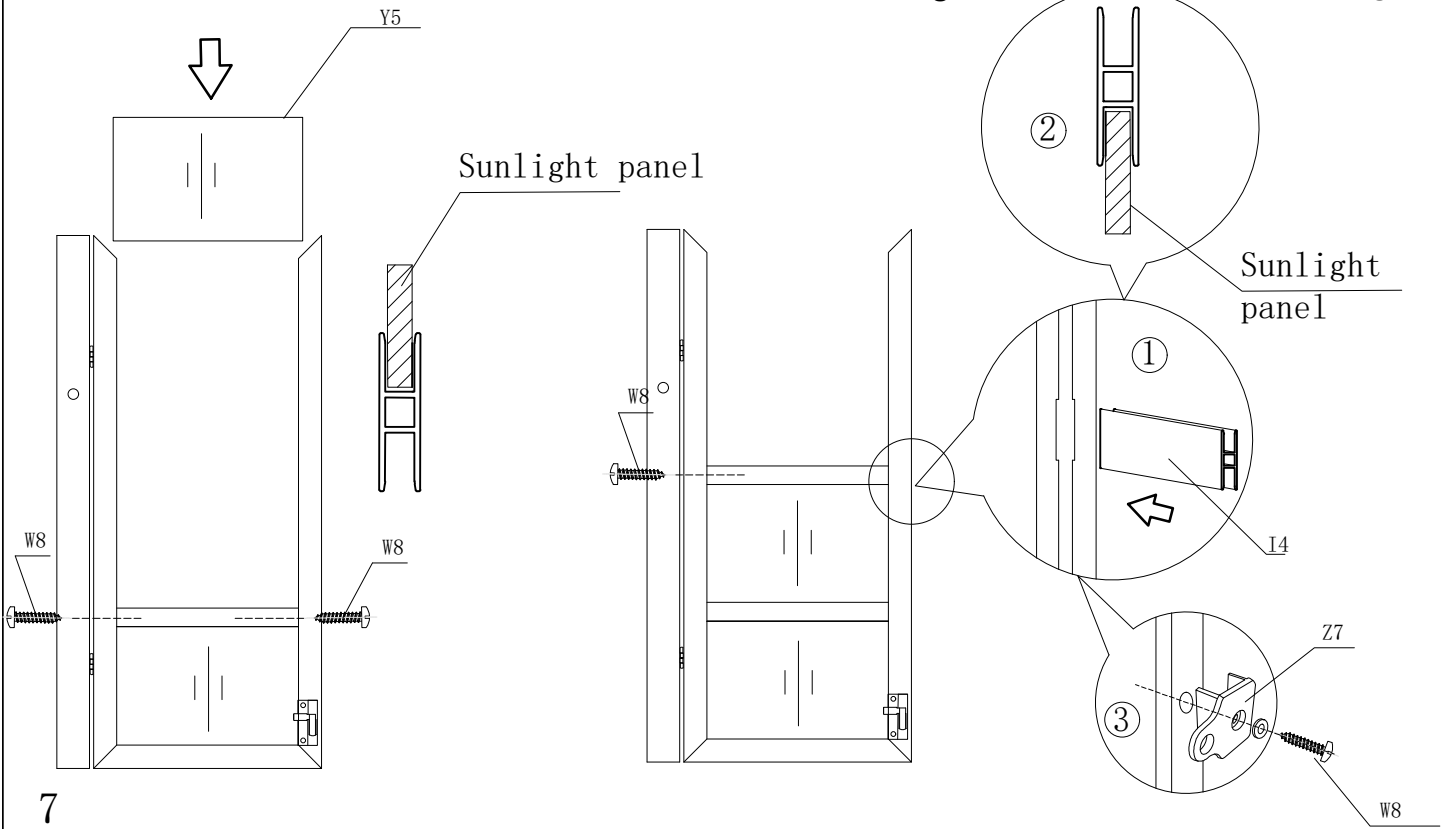
5

Connect door frame D1 with D5 and D3 and tighten screws W1

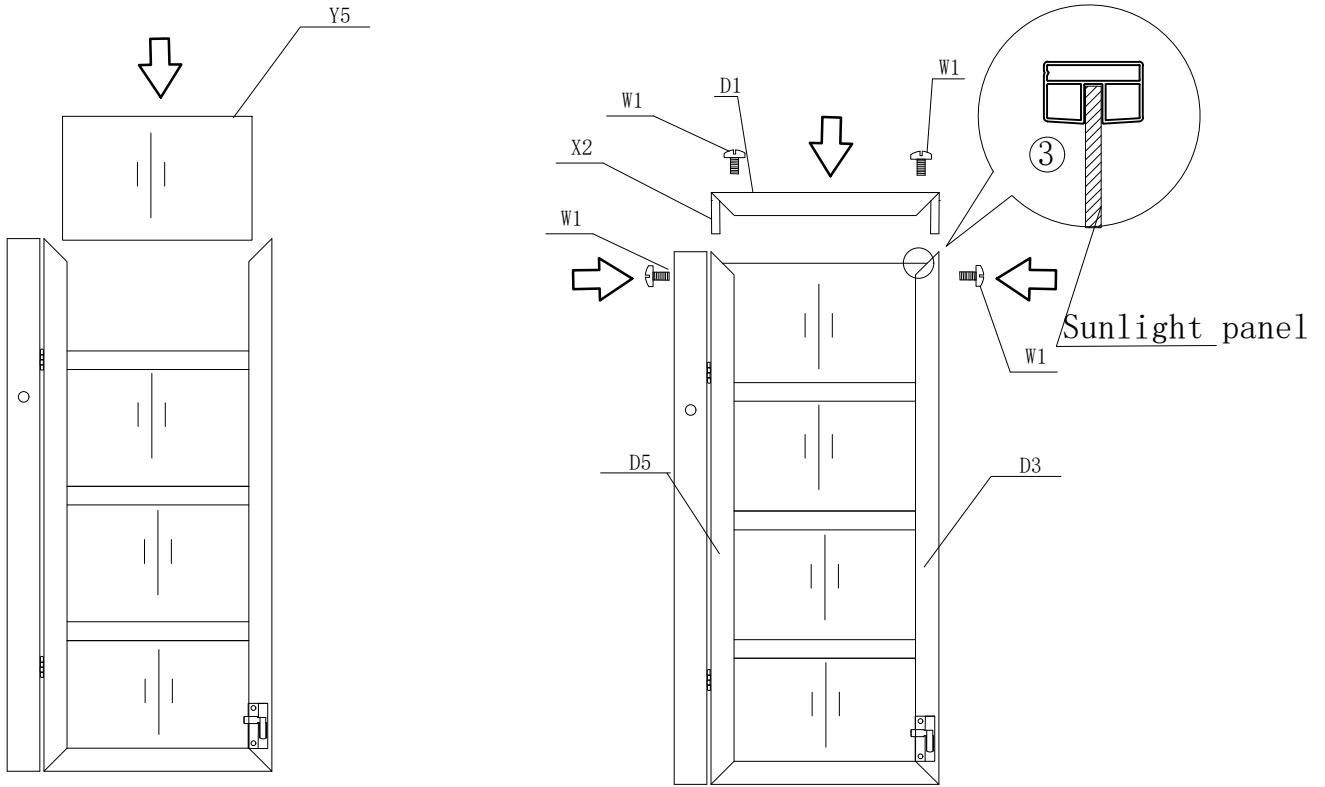


6

- 1 Tighten both self tapping screws W8, as shown in Figure 1
- 2 Insert the sunlight panel (the transparent plastic board) Y4, as shown in Figure 2
- 3 Insert door frame D1 and tighten screw W1, as shown in Figure 3

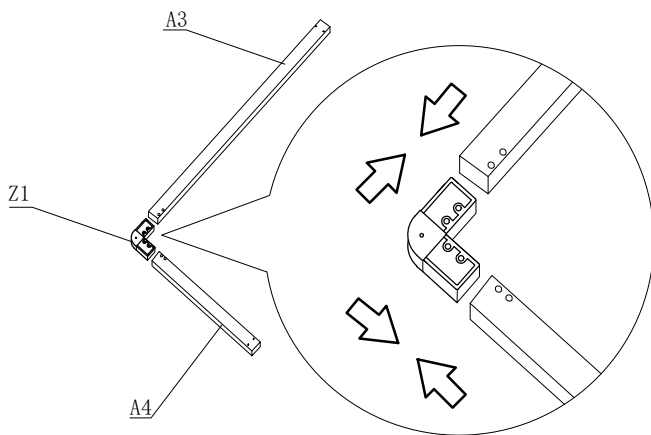


Connect door frame D1 with D5 and D3 and tighten screws W1

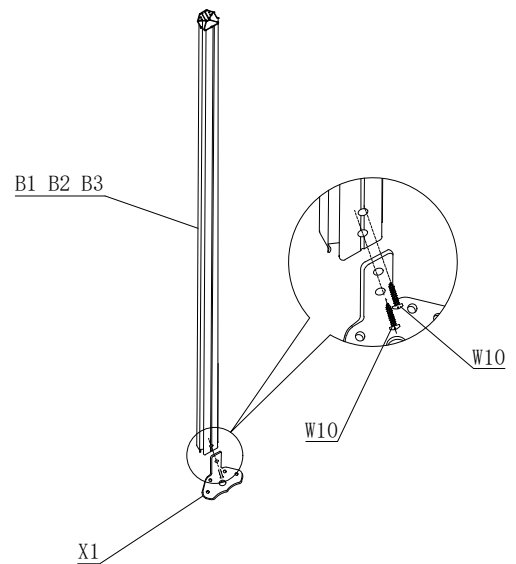


9

Connect bottom beams A4 and A3 to corner part Z1

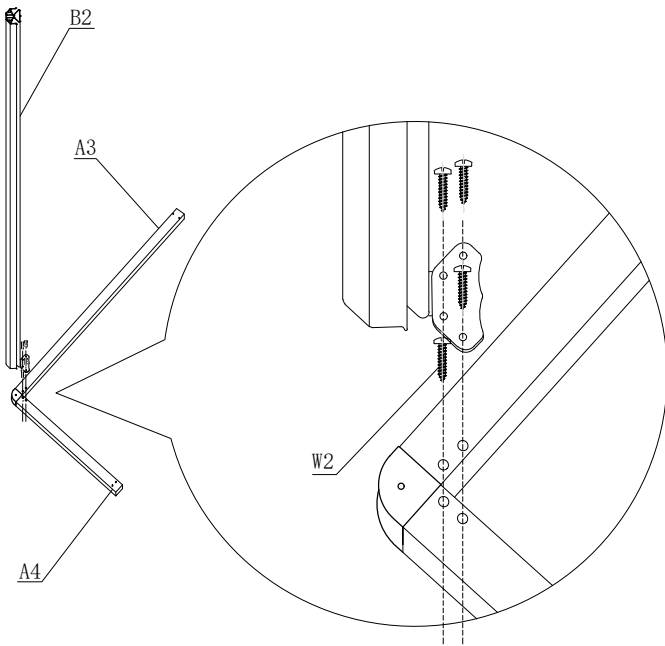


Connect corner pillar B1 B2 B3 to corner part X1

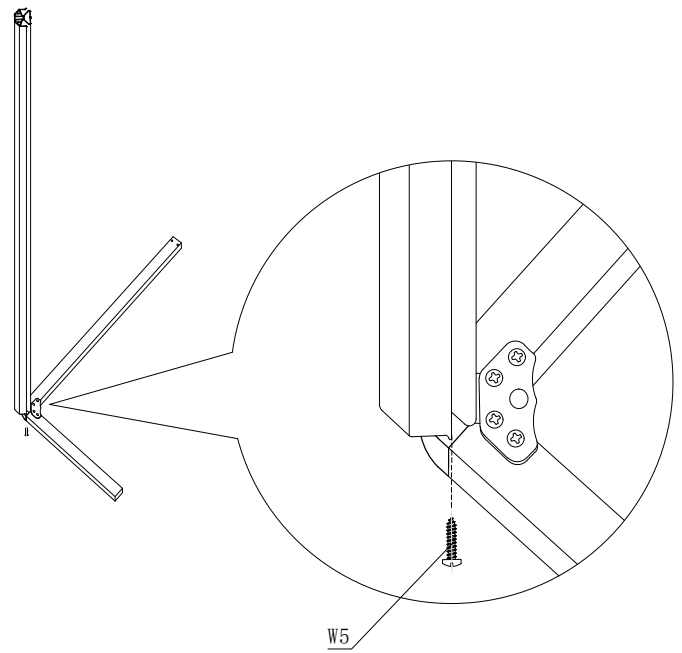


10

Connect corner pillar to bottom beam

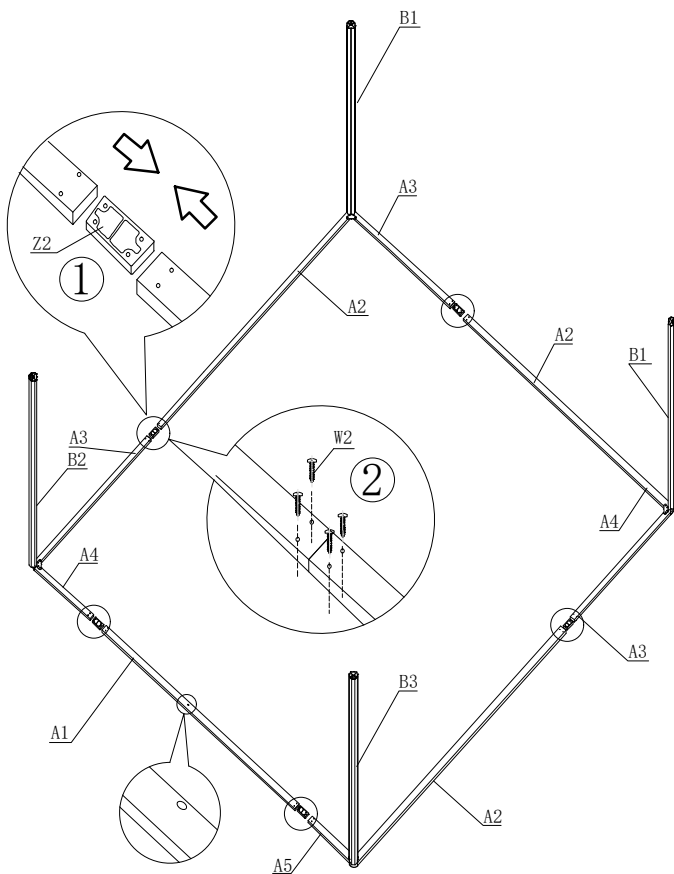


Connect corner pillar to bottom beam



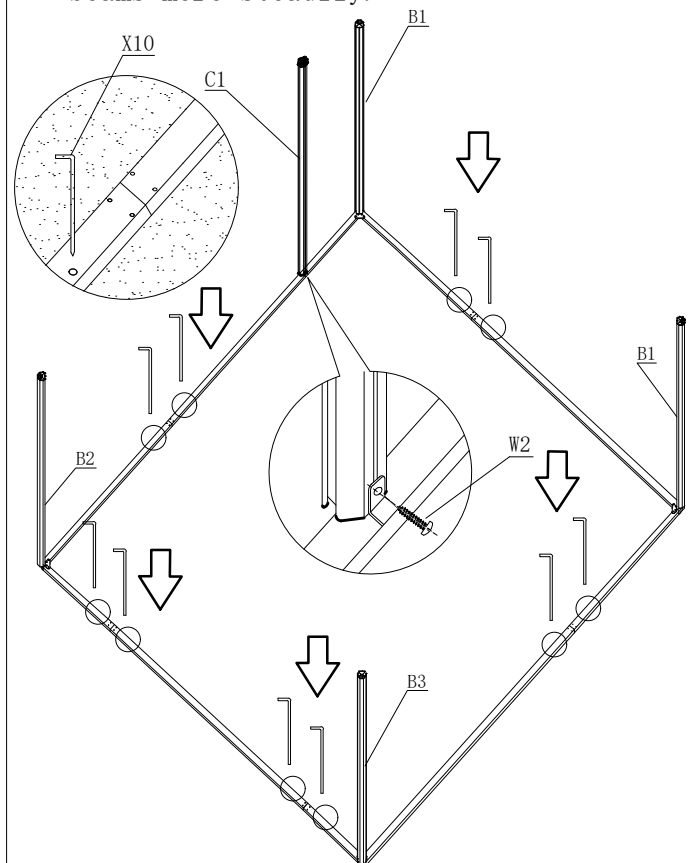
11

Connect bottom beams A1, A2, A3, A4, A5 through Z2



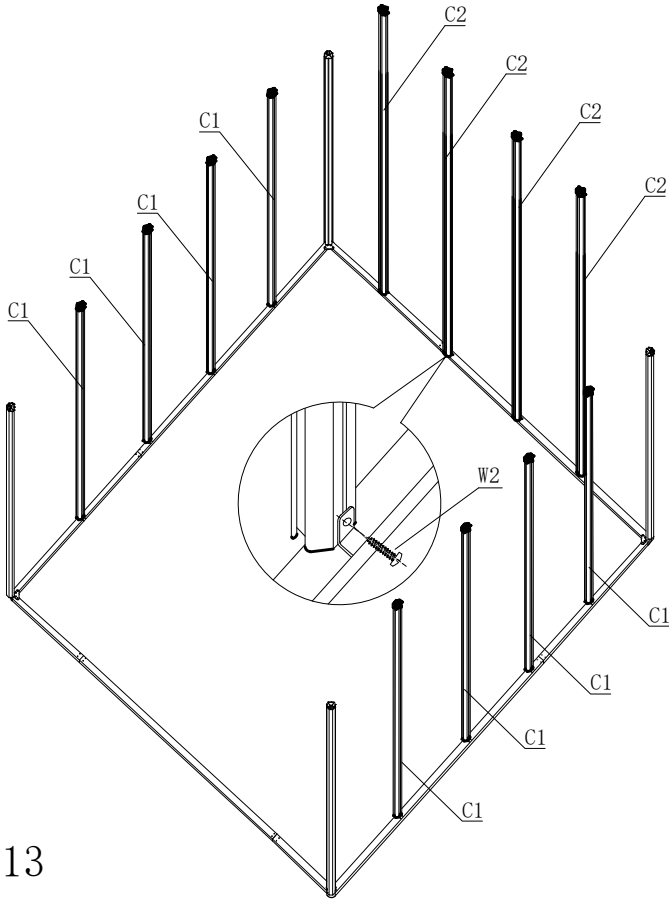
Connect side pillar C1 to the bottom beam

Insert tent peg through middle of side bottom beams to the land to make bottom beams more steadily.



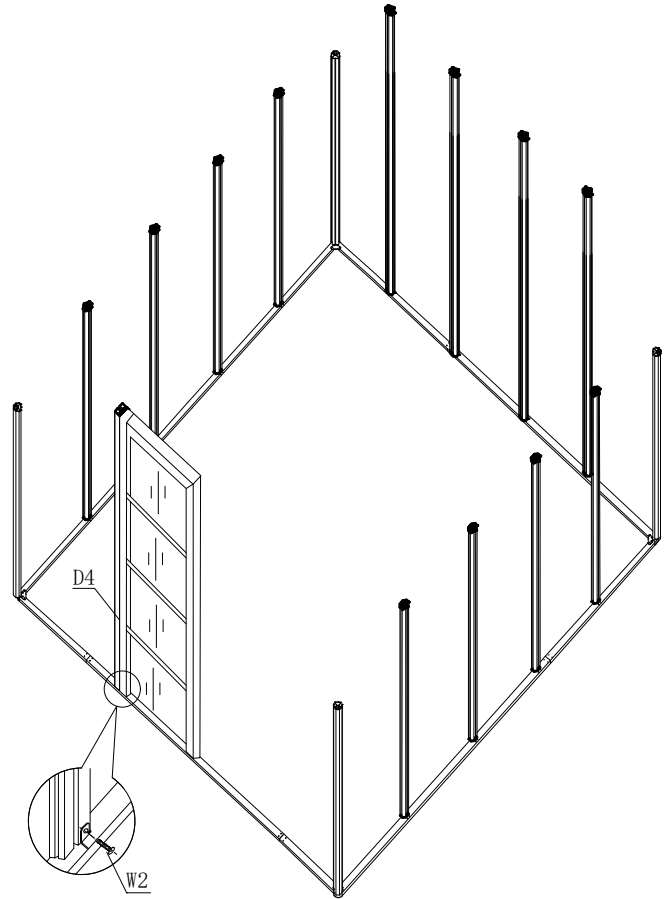
12

Connect side pillars C1, C2, to bottom beam

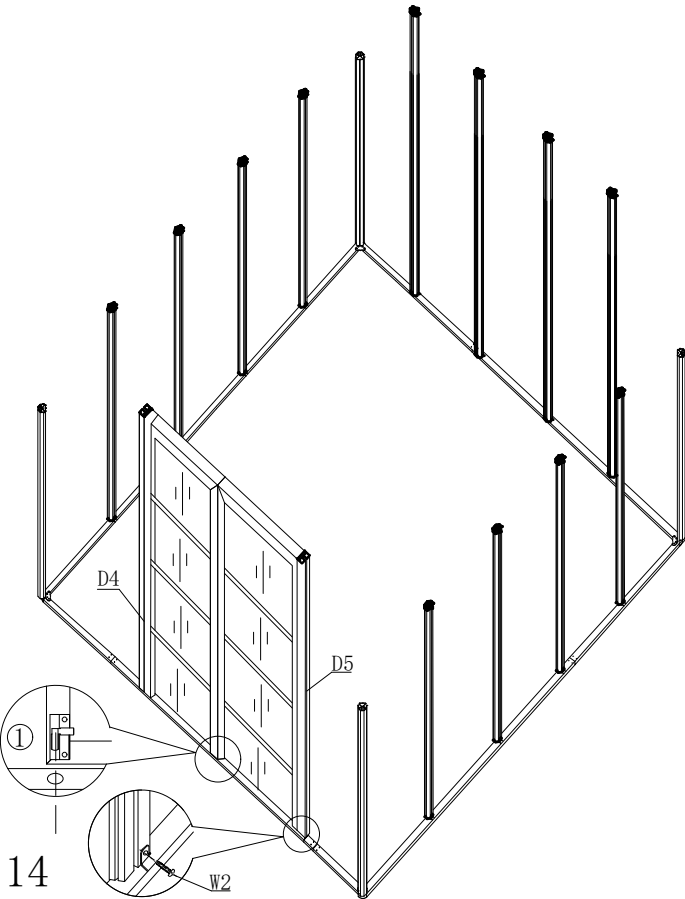


13

Link door frame D4 to sill

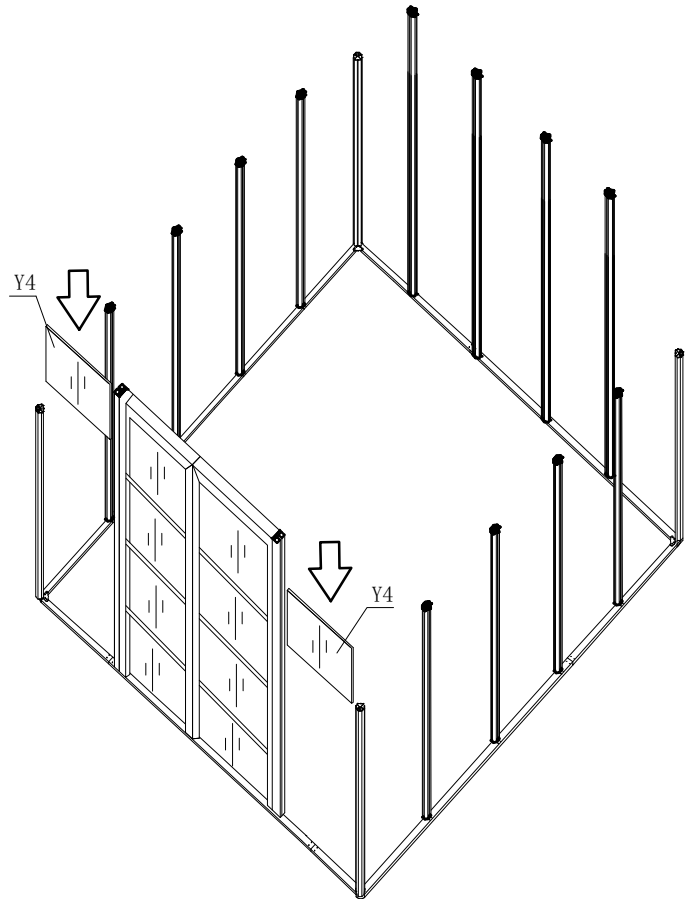


Link door frame D5 to sill

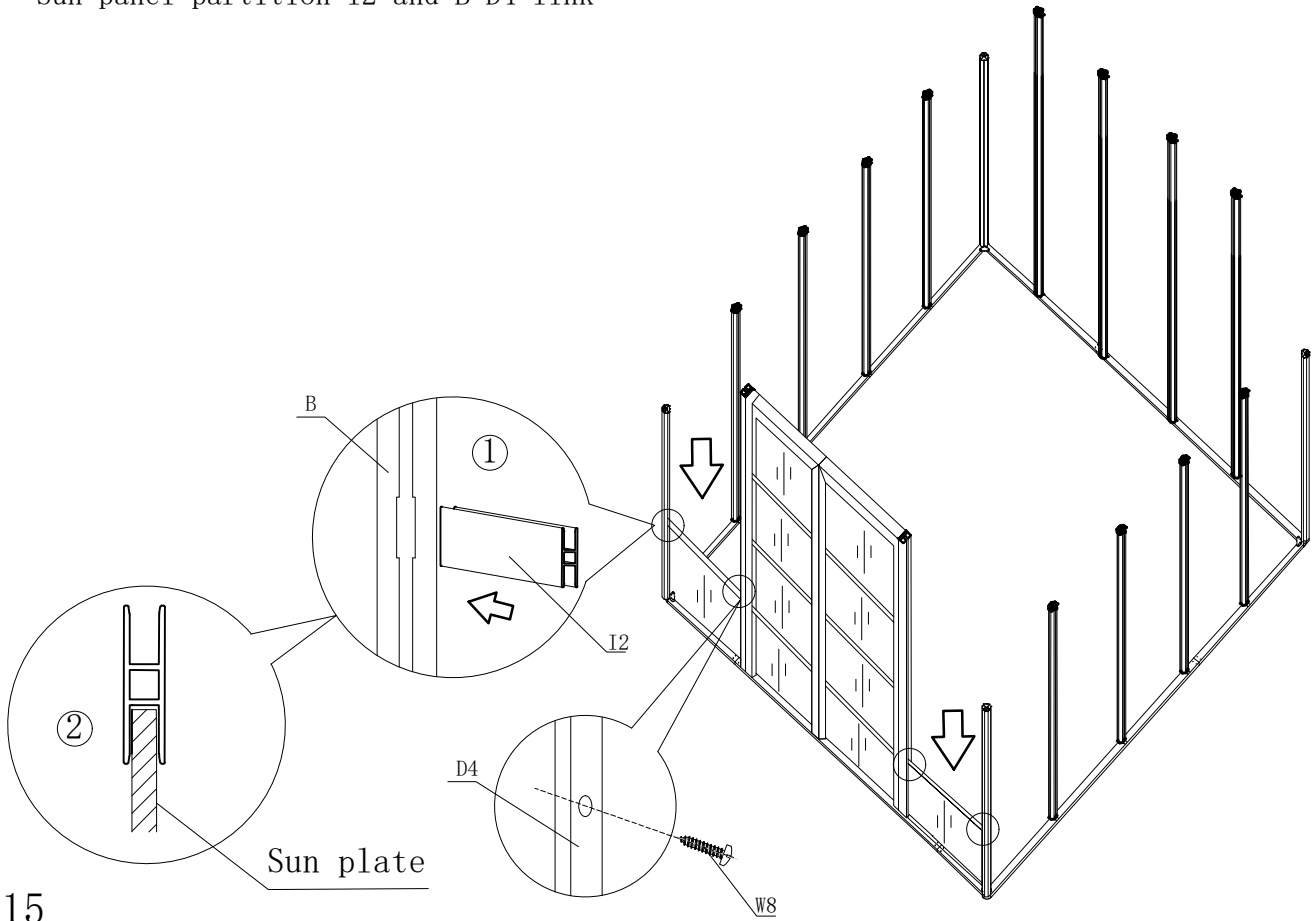


14

Insert door side sun panel Y4

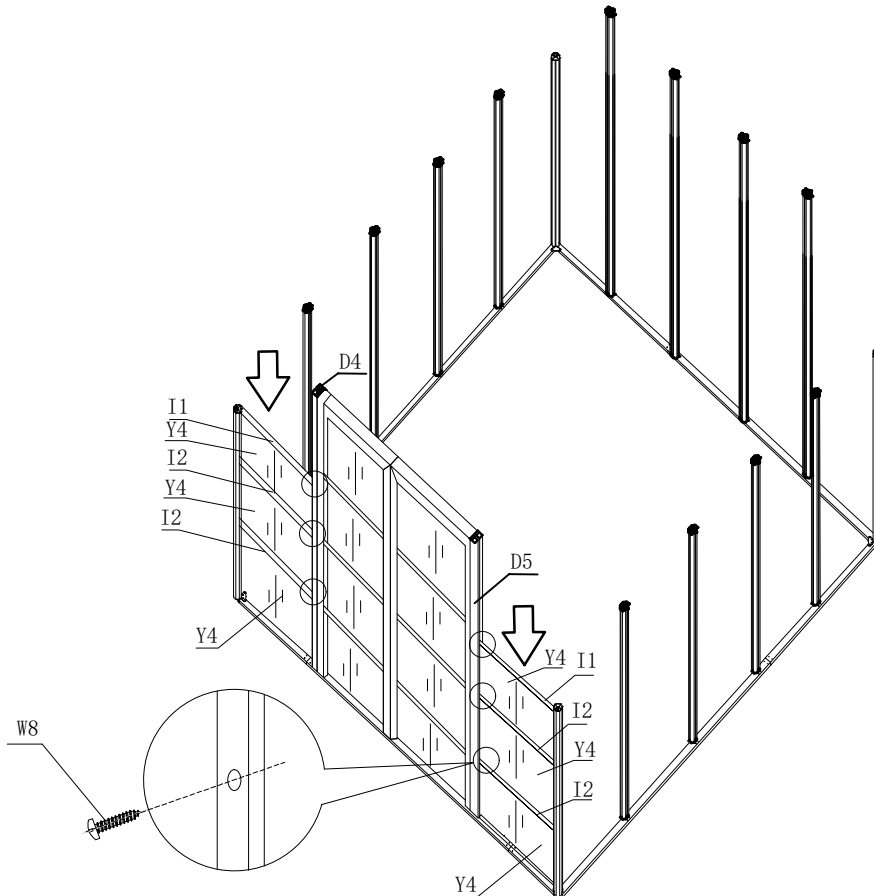


Sun panel partition I2 and B D4 link



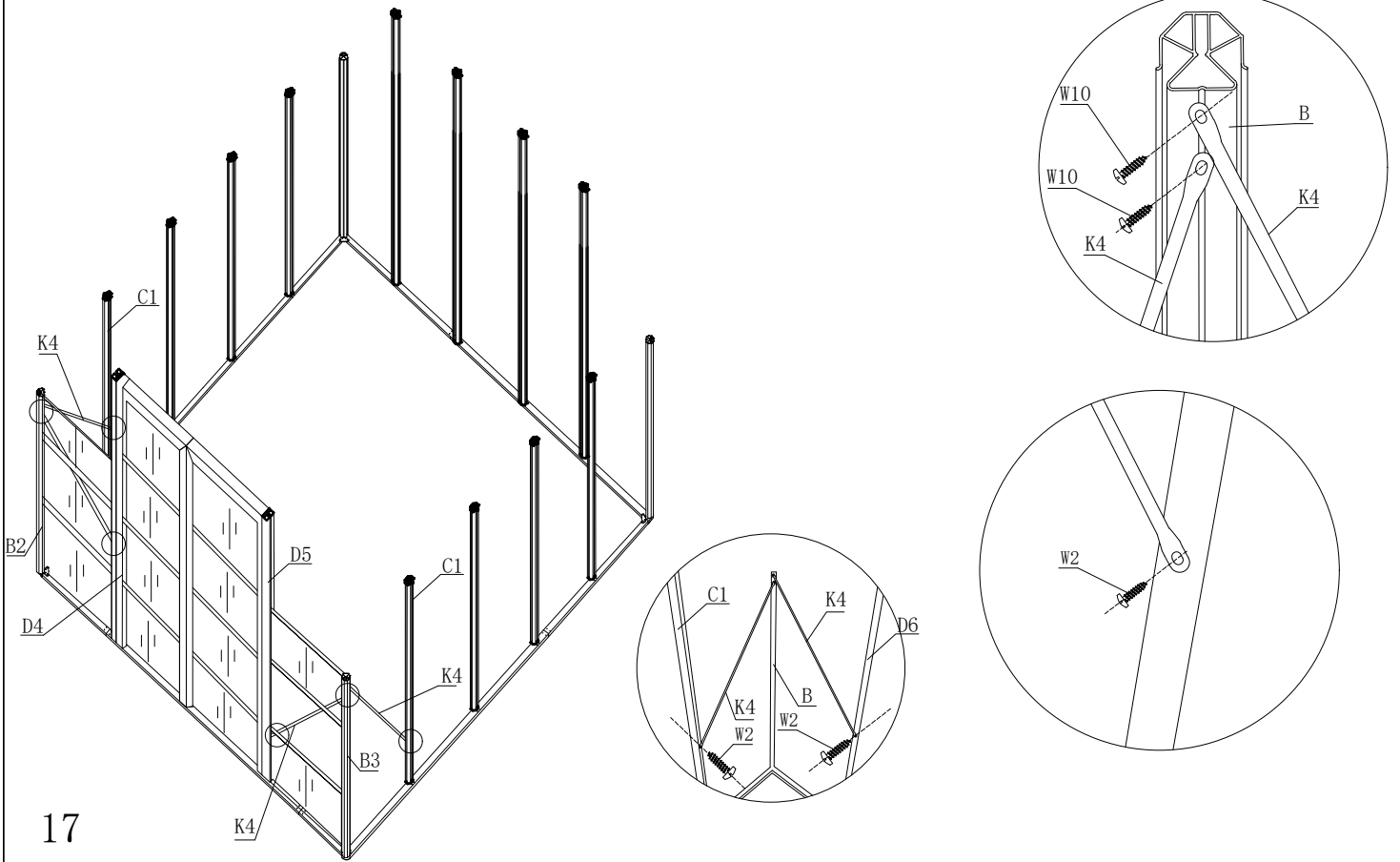
15

- 1 Insert door side sun panel Y4
- 2 Sun panel partition I2 and B D4 link
- 3 Connect the partition board of sunlight panel I1 to the door frame D4 D5



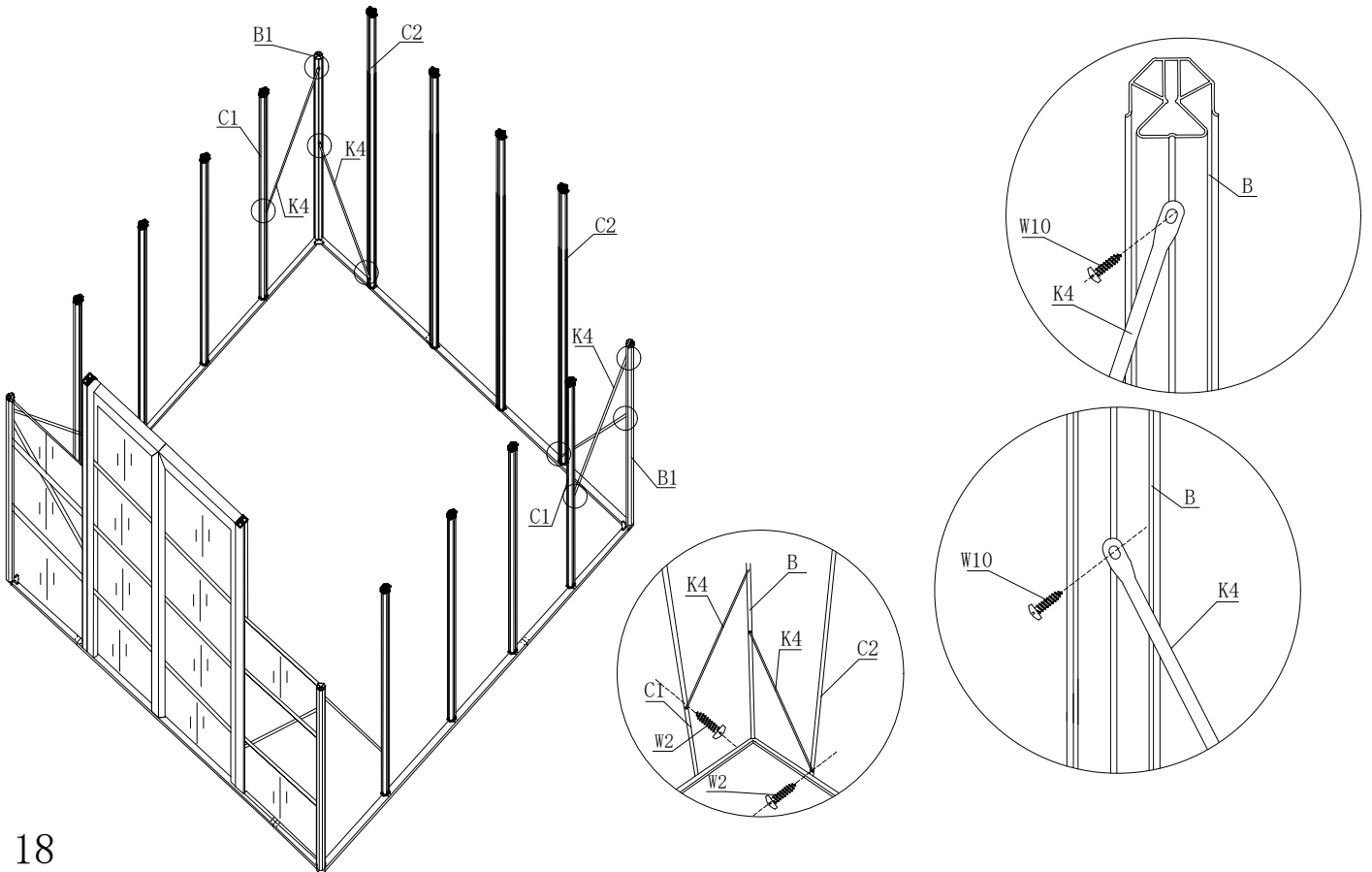
16

Connect the pillar B2 B3 next to the front door to the side pillar C1, D4 and C1, D5 by K4



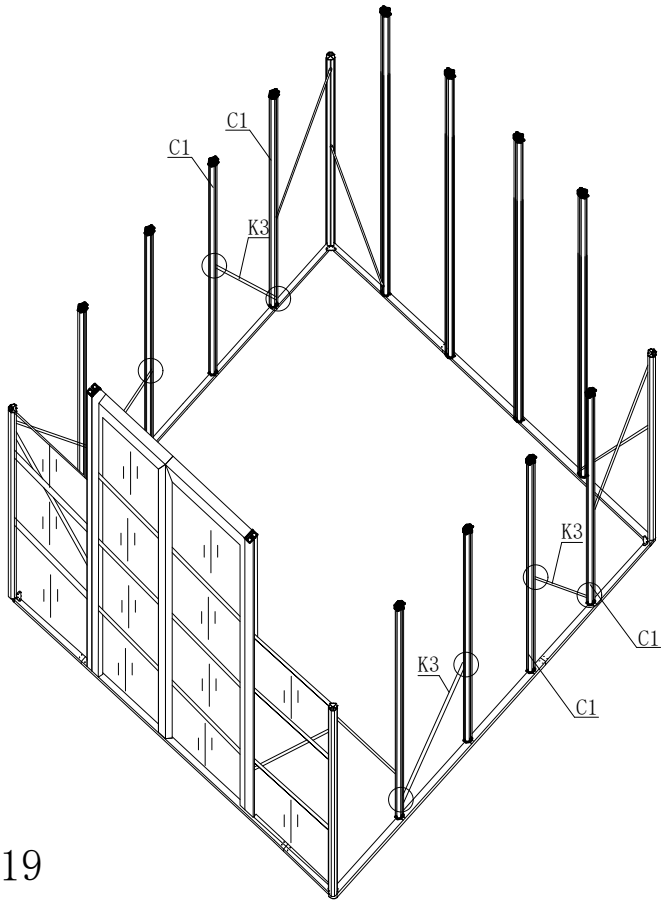
17

Connect the corner pillar B1 opposite the door to the side pillars C1 and C2 by K4



18

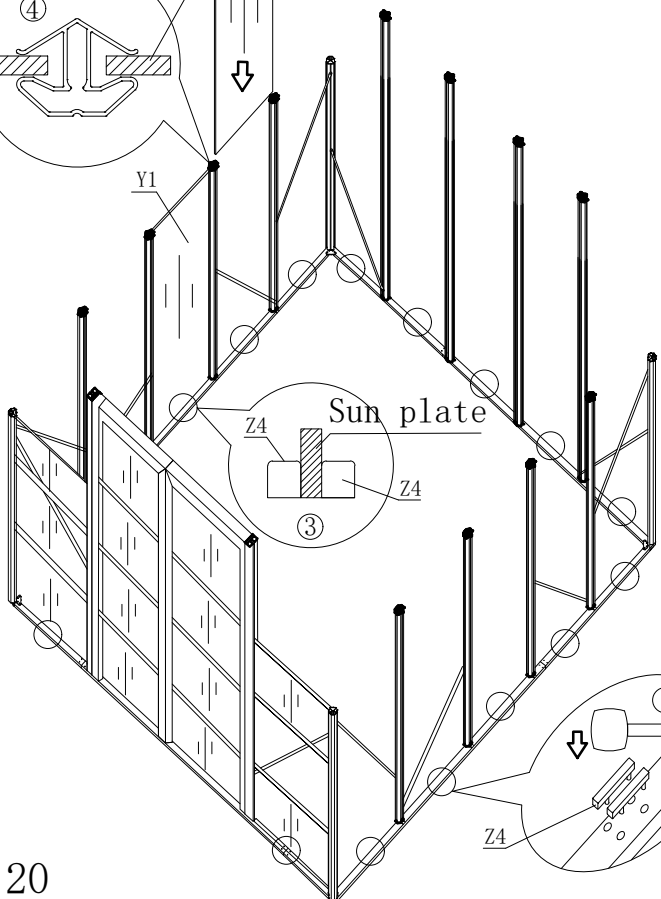
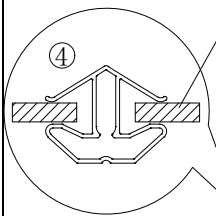
Side pillar C1, K3 connection



19

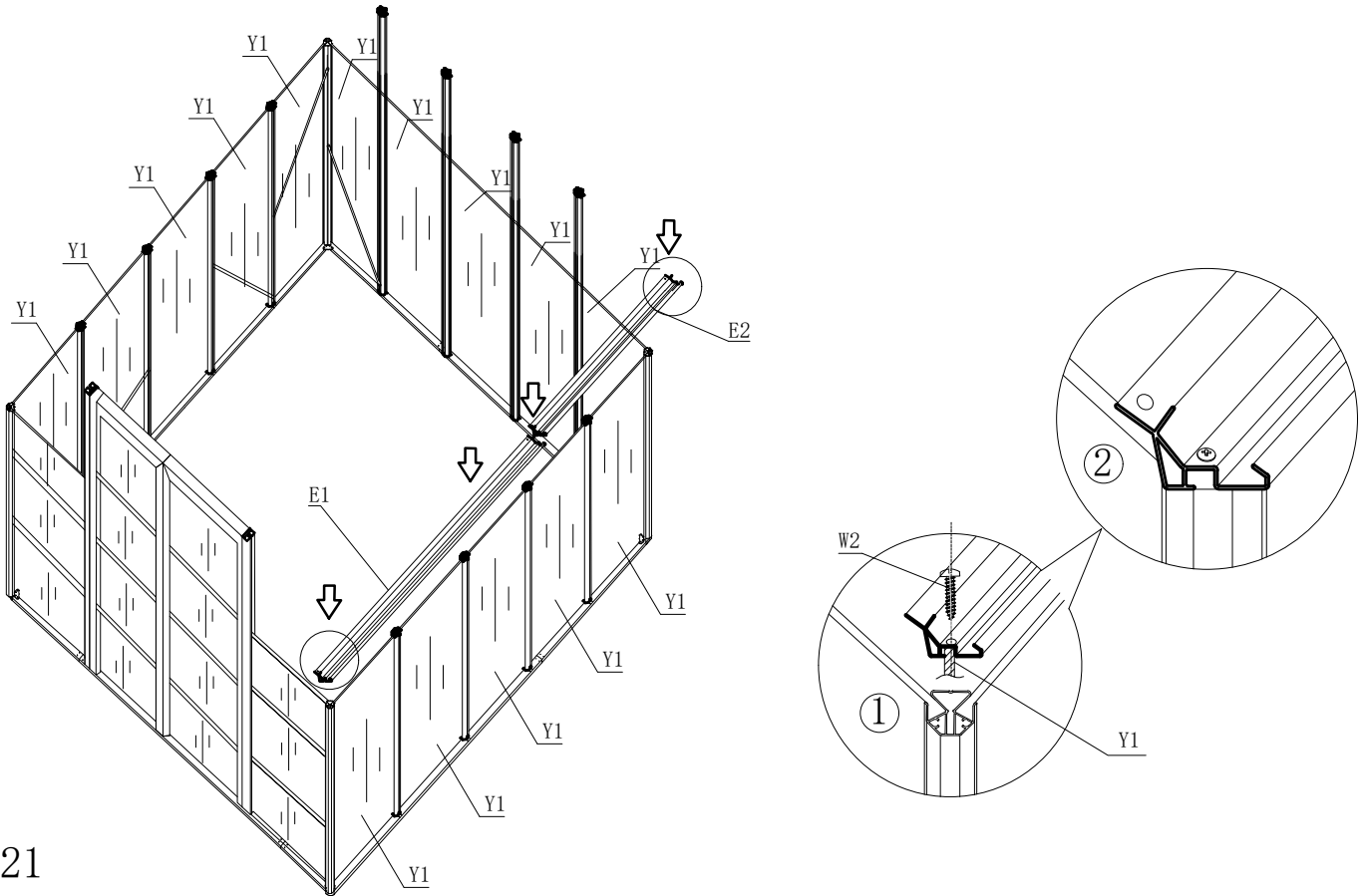
Sunlight panel Y1

- 1 Knock in the slot Z4 of the sunlight panel (the transparent plastic board) , as shown in Figure 1 and 2
 - 2 Insert the sunlight panel (the transparent plastic board) Y1 in sequence , as shown in Figure 4
- And ensure the sunlight panel (the transparent plastic board) has been inserted into the slot as shown in Figure 3



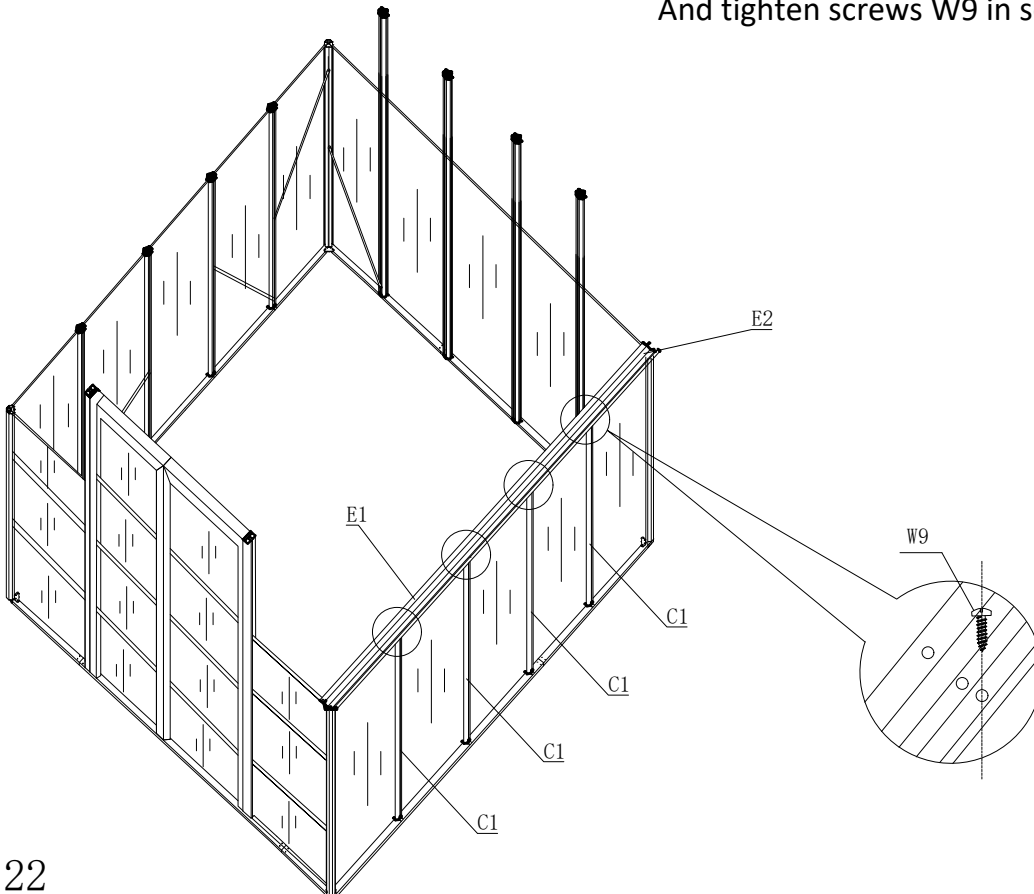
20

Use the slot of the drainage ditch E1,E2 to press down on the sunlight panel (the transparent plastic board) , as shown in Figure 1 and tighten the screw W2



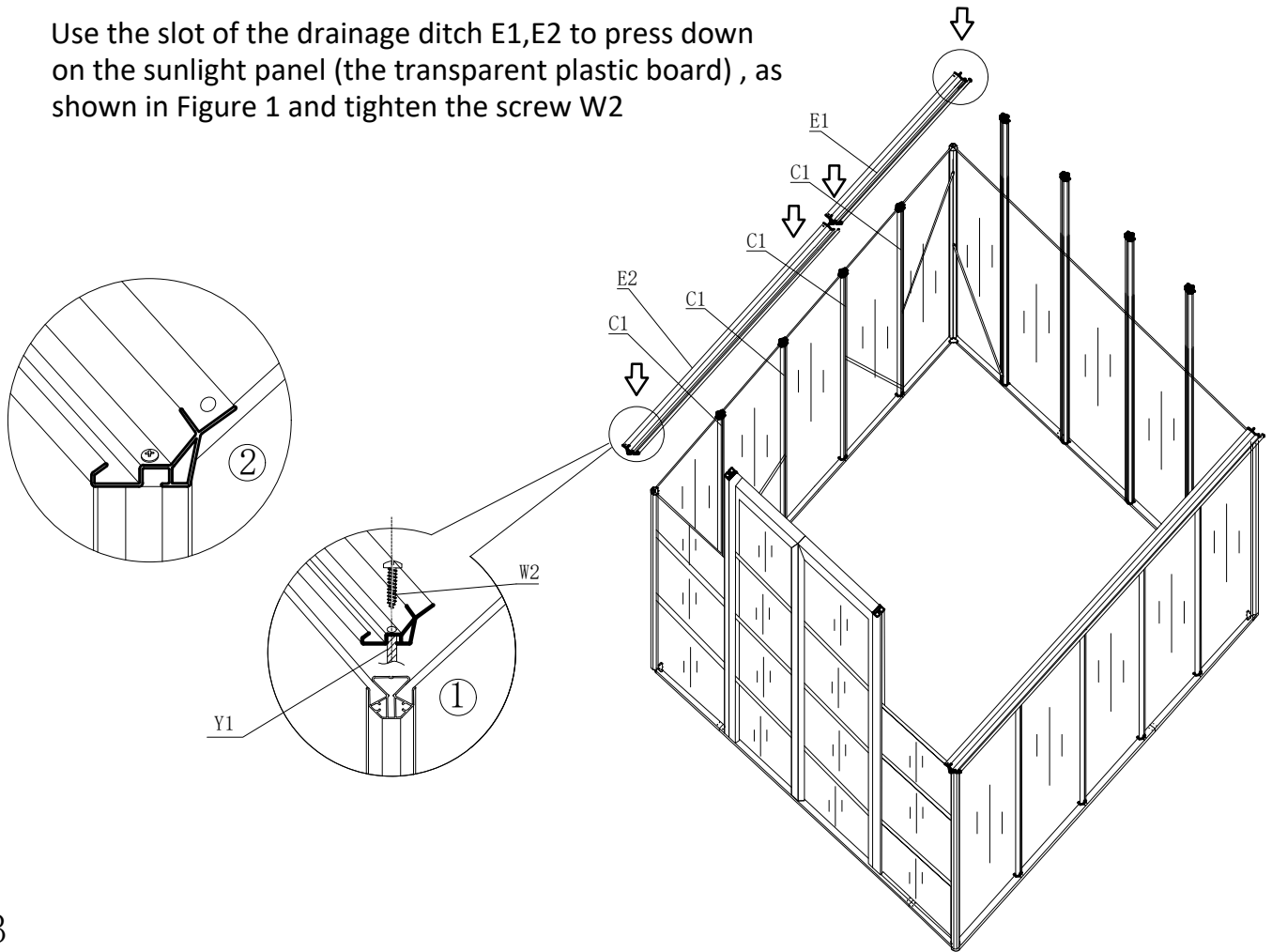
21

Connect the drainage ditch E1,E2 to the side pillars C1
And tighten screws W9 in sequence



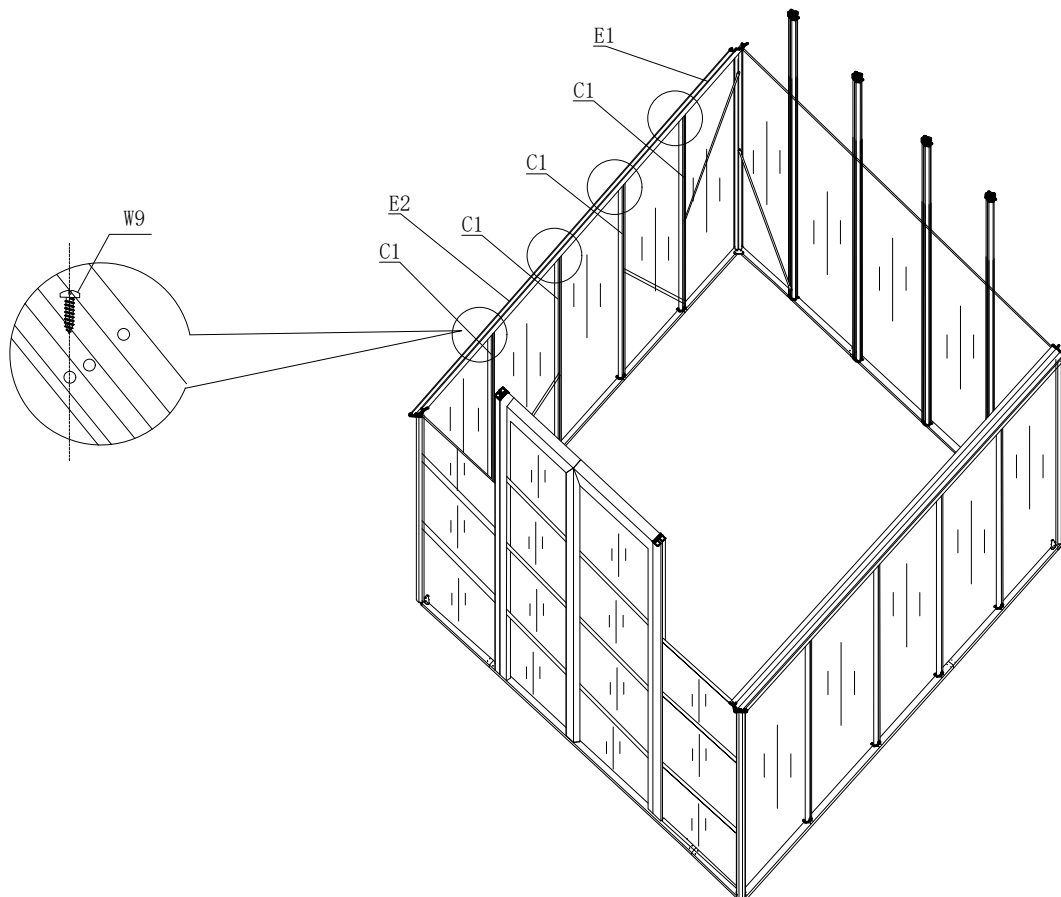
22

Use the slot of the drainage ditch E1,E2 to press down on the sunlight panel (the transparent plastic board) , as shown in Figure 1 and tighten the screw W2



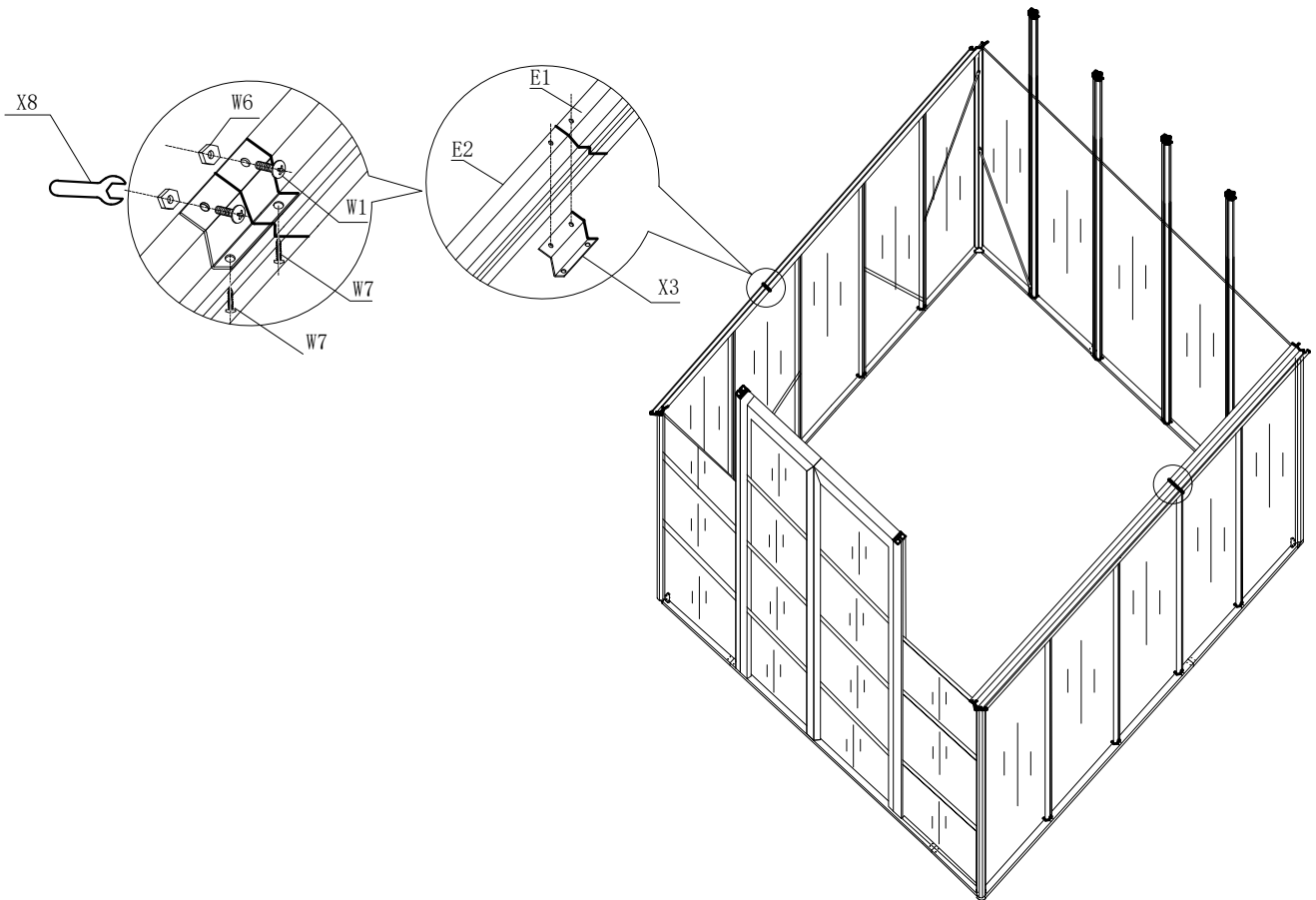
23

Connect the drainage ditch E1,E2 to the side pillars C1
And tighten screws W9 in sequence



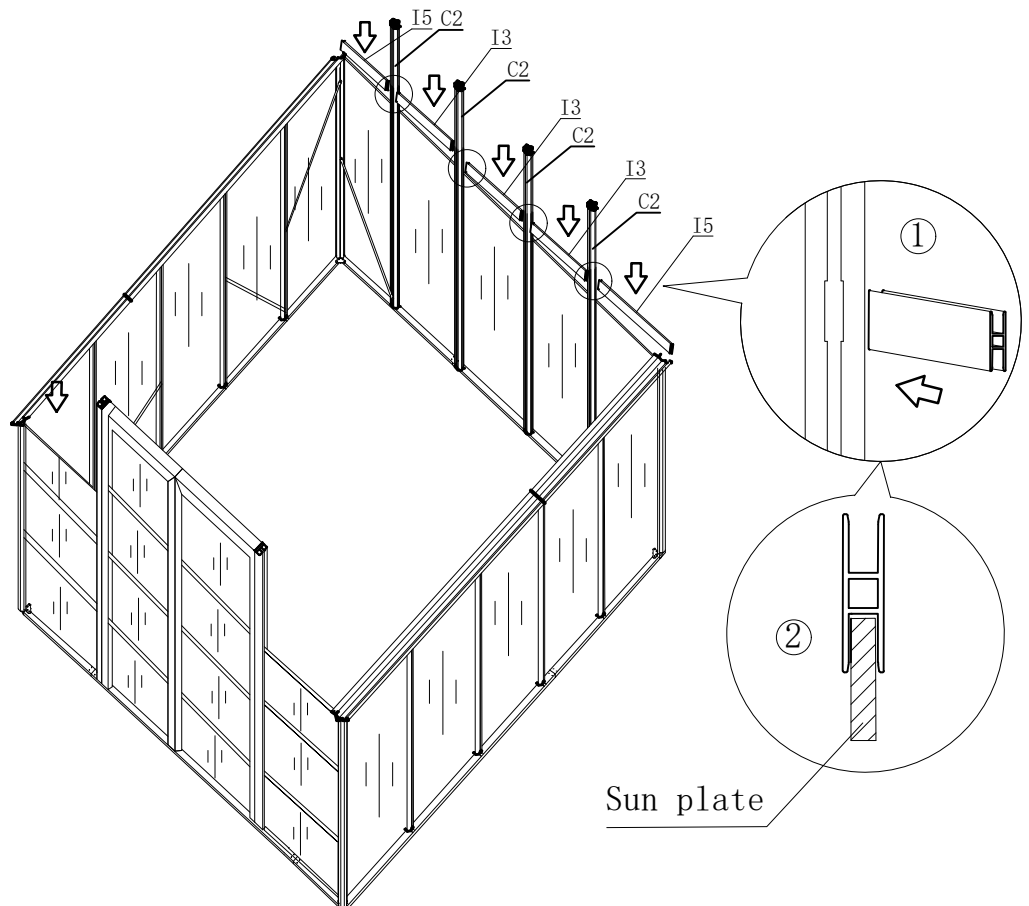
24

Connect drainage ditch E1 and E2 with part X3



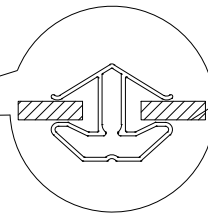
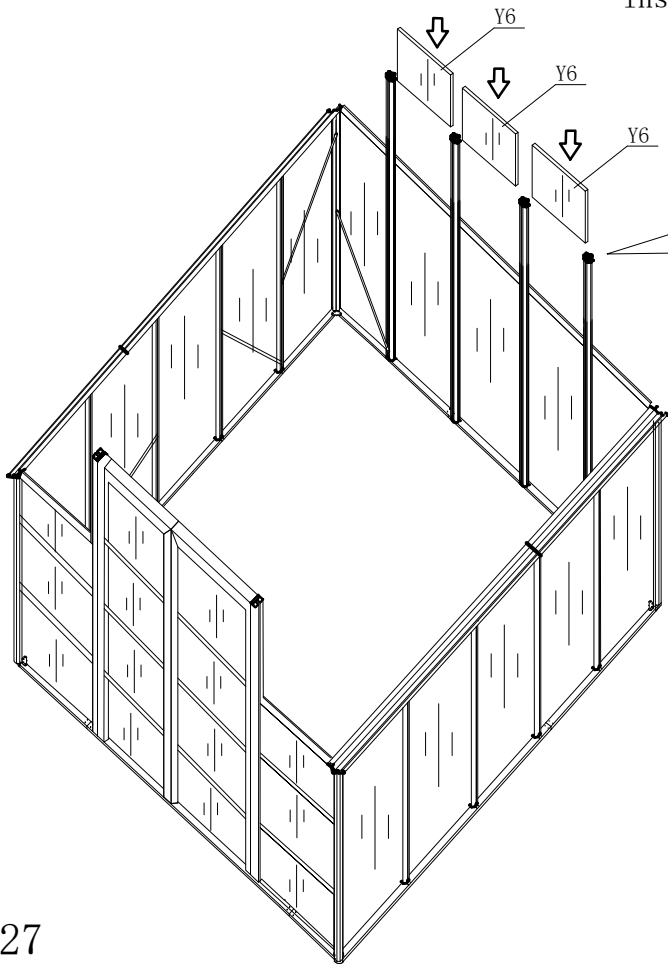
25

- 1 Connect the partition board of sunlight panel I3 to the side pillar C2
- 2 Connect the partition board of sunlight panel I5 to the side pillar C2



26

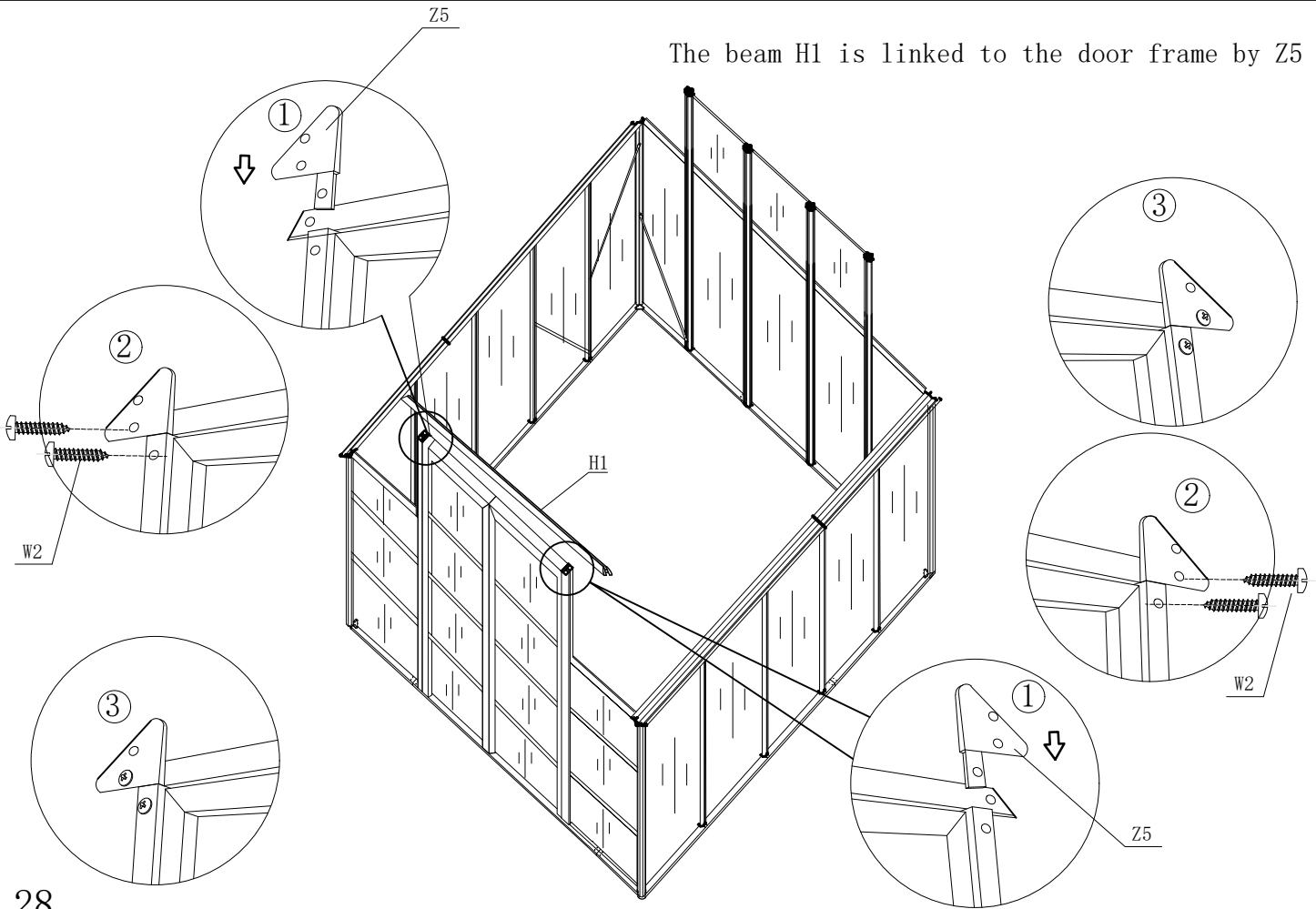
Insert sunlight panel Y6 into the slot of the side pillar.



Sunlight panel

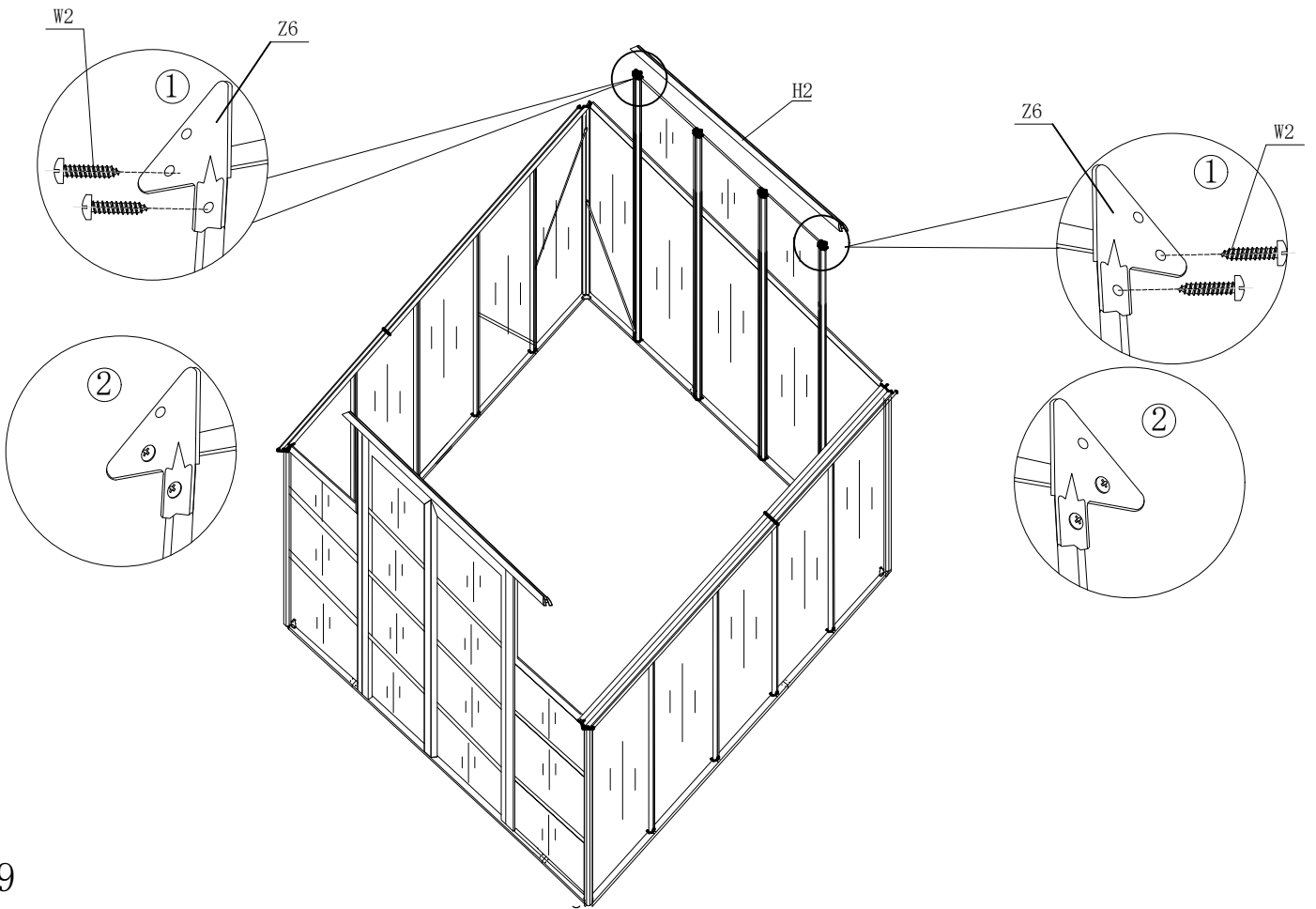
27

The beam H1 is linked to the door frame by Z5



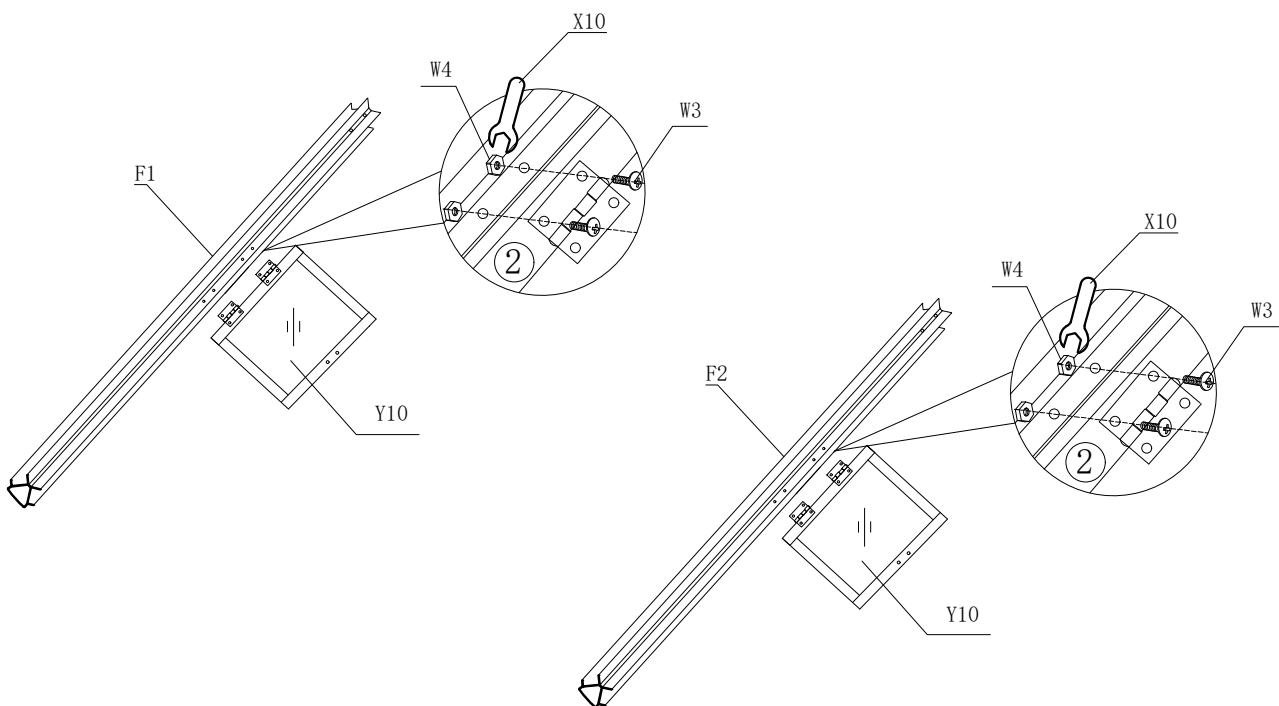
28

Link beam H2 and C2 through Z6



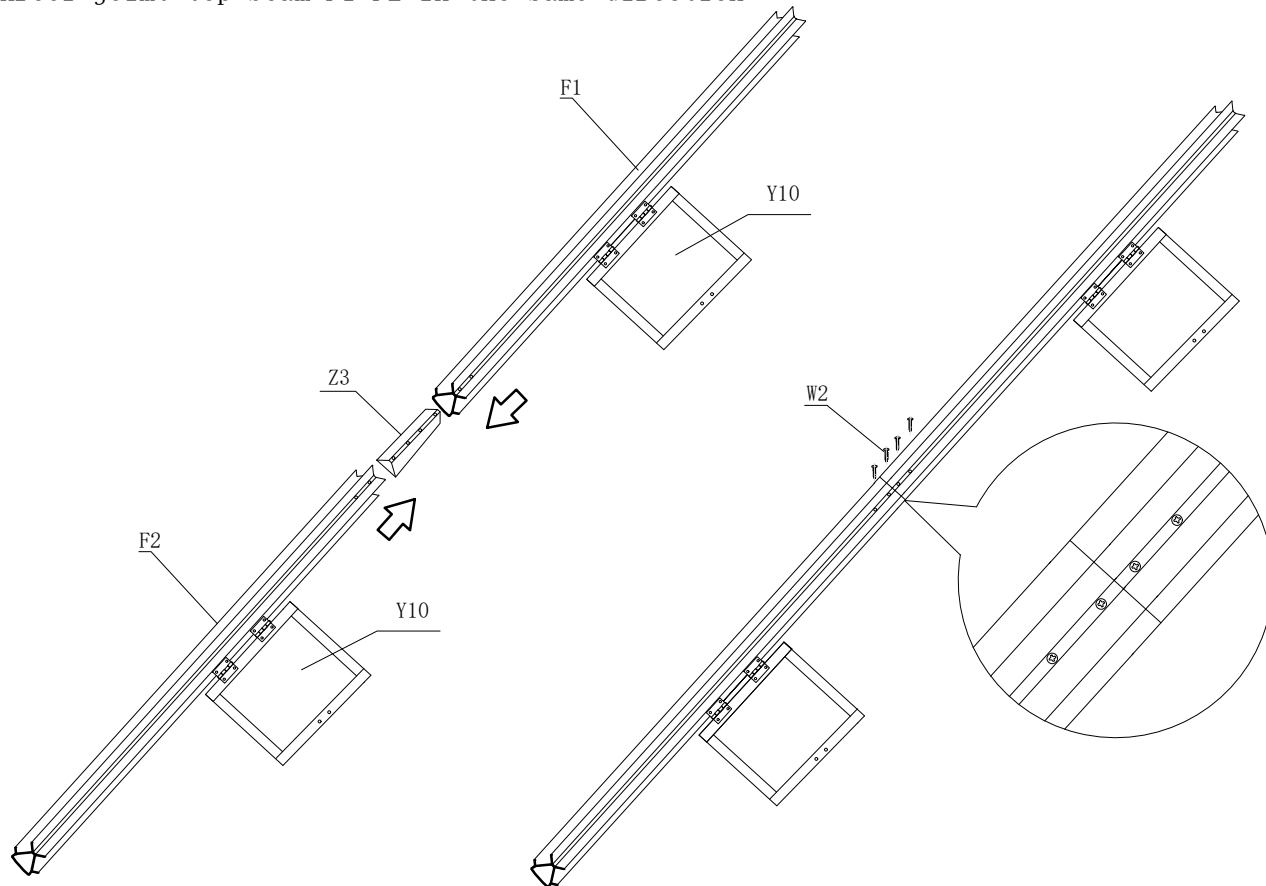
29

Connect Skylight Plastic Sheet Y10 to the top crossbeam F1 F2



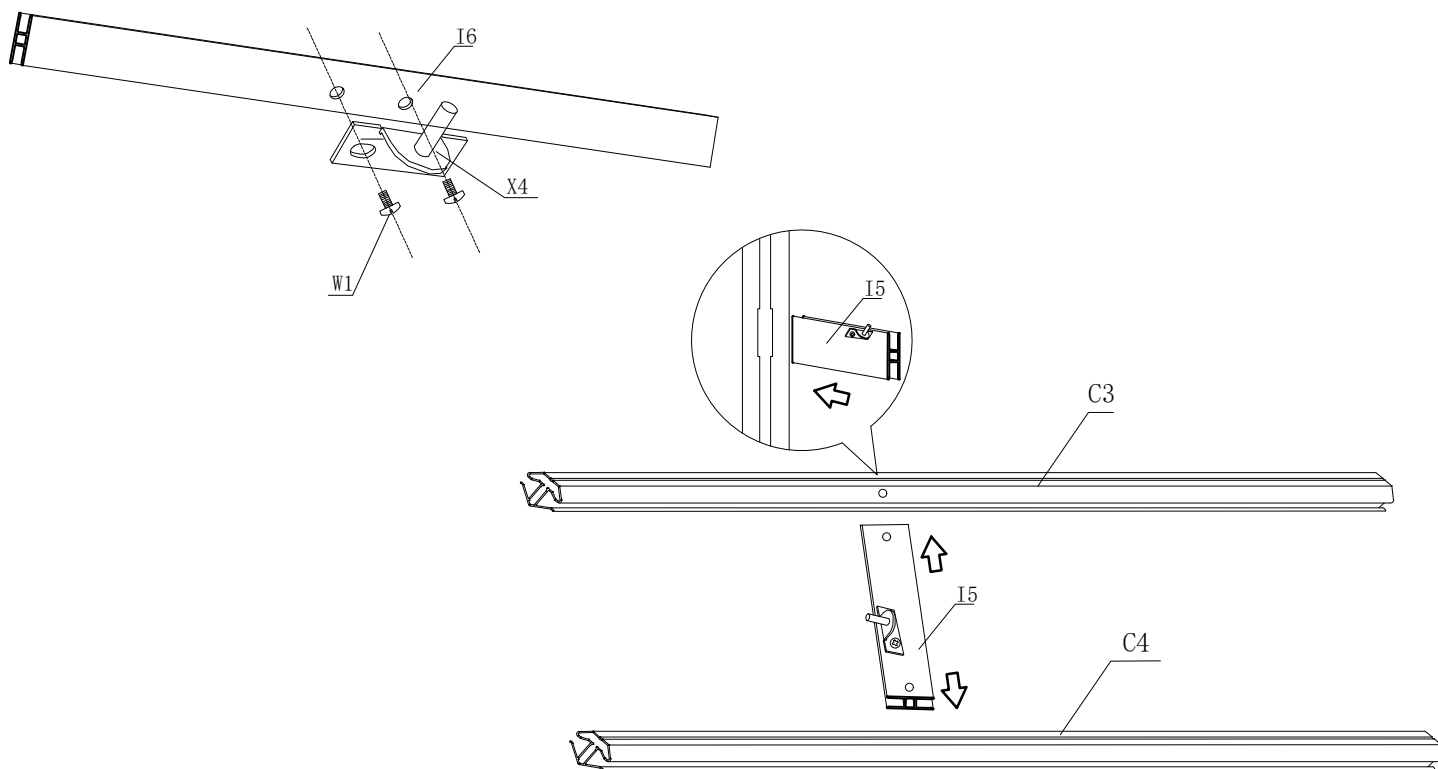
30

Sunroof joint top beam F1 F2 in the same direction

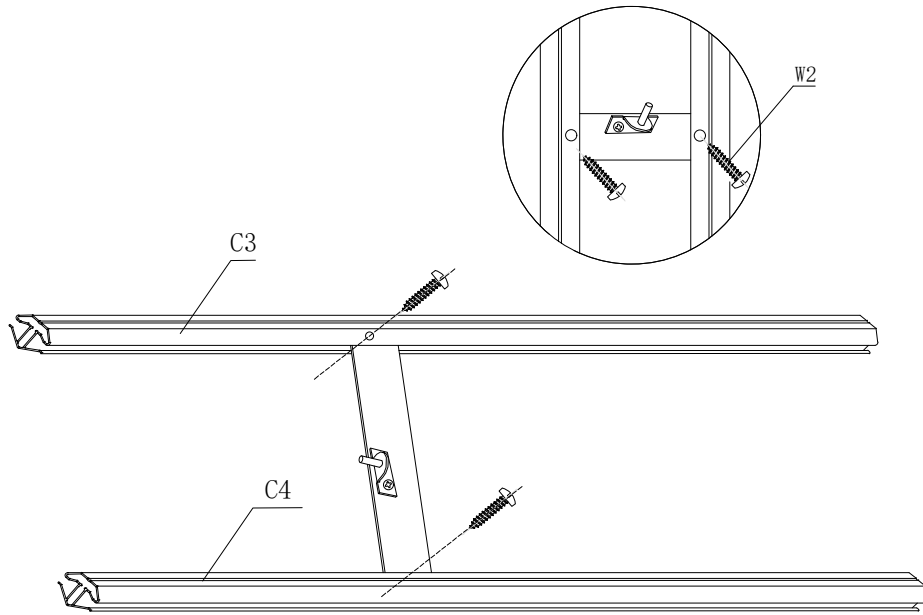


31

1. Connect and tighten skylight panel crossbar I6 to skylight supporting seat X4
2. The sunroof crosspiece I6 is inserted into the slot of inclined beam C3 and C4

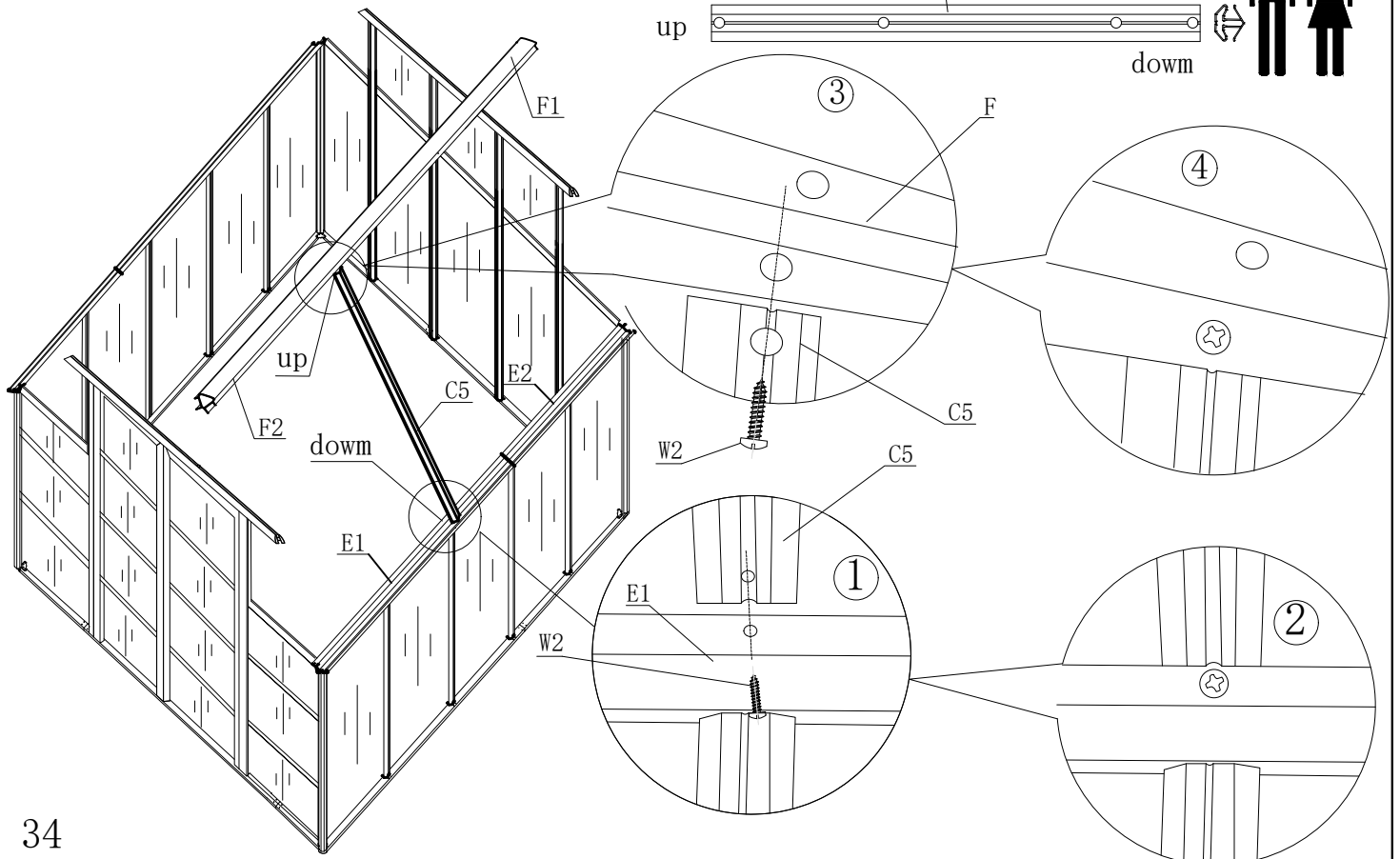


32



33

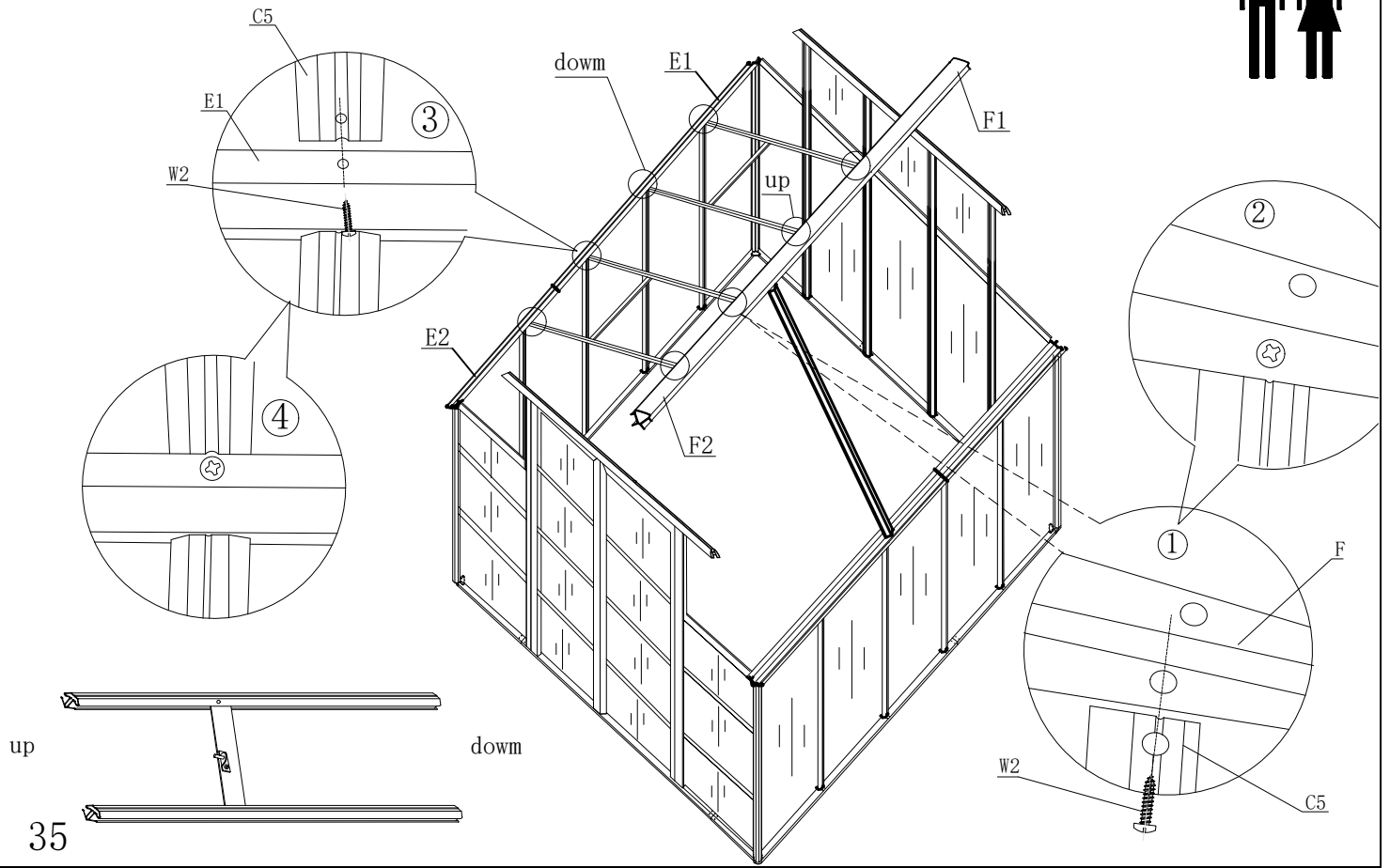
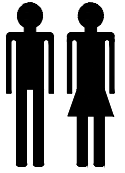
Connect the inclined pillar C5 to the drainage ditch E1
 Connect inclined pillars C5 to top crossbeam F2



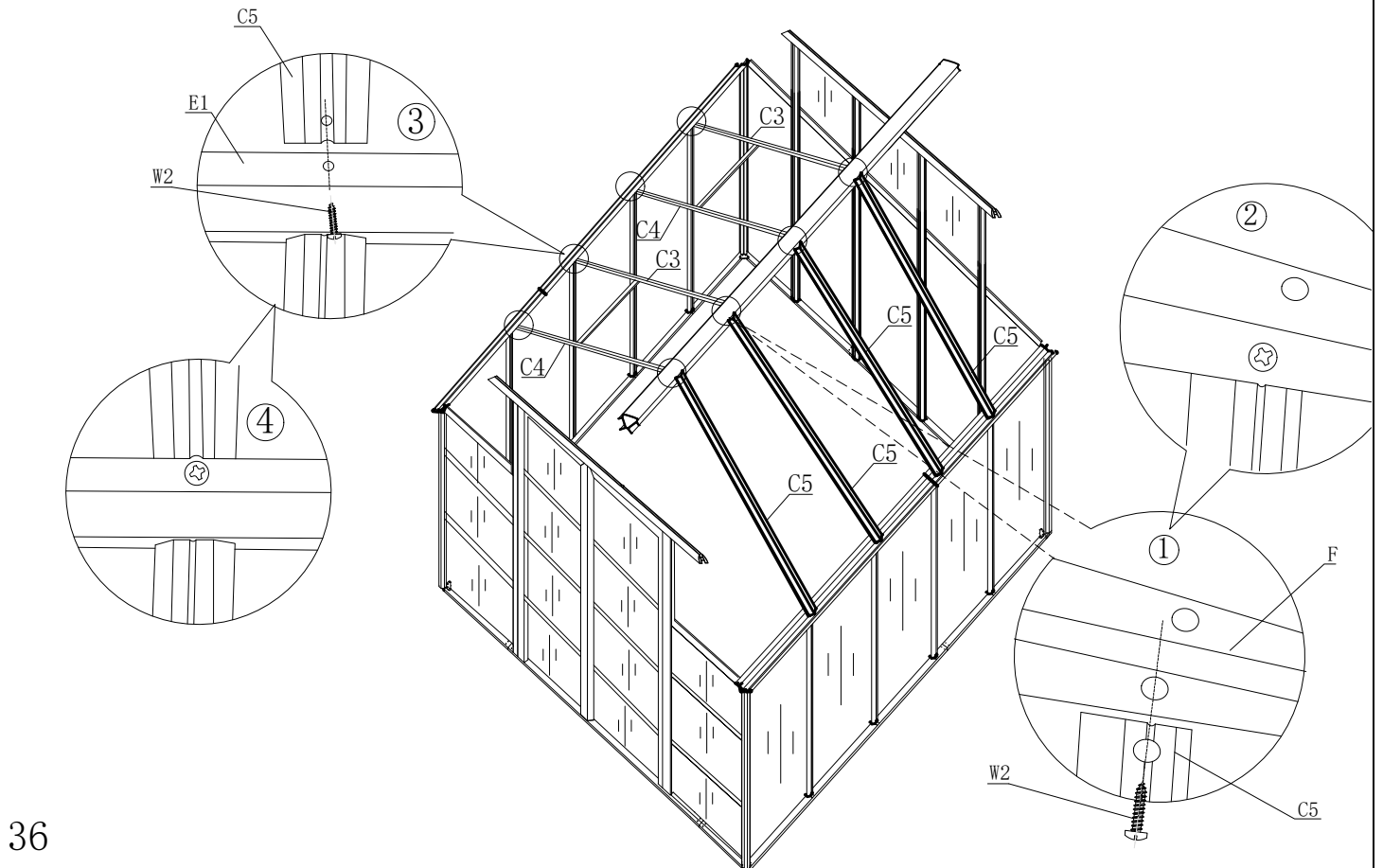
34

Connect inclined pillars to top crossbeam F1 F2

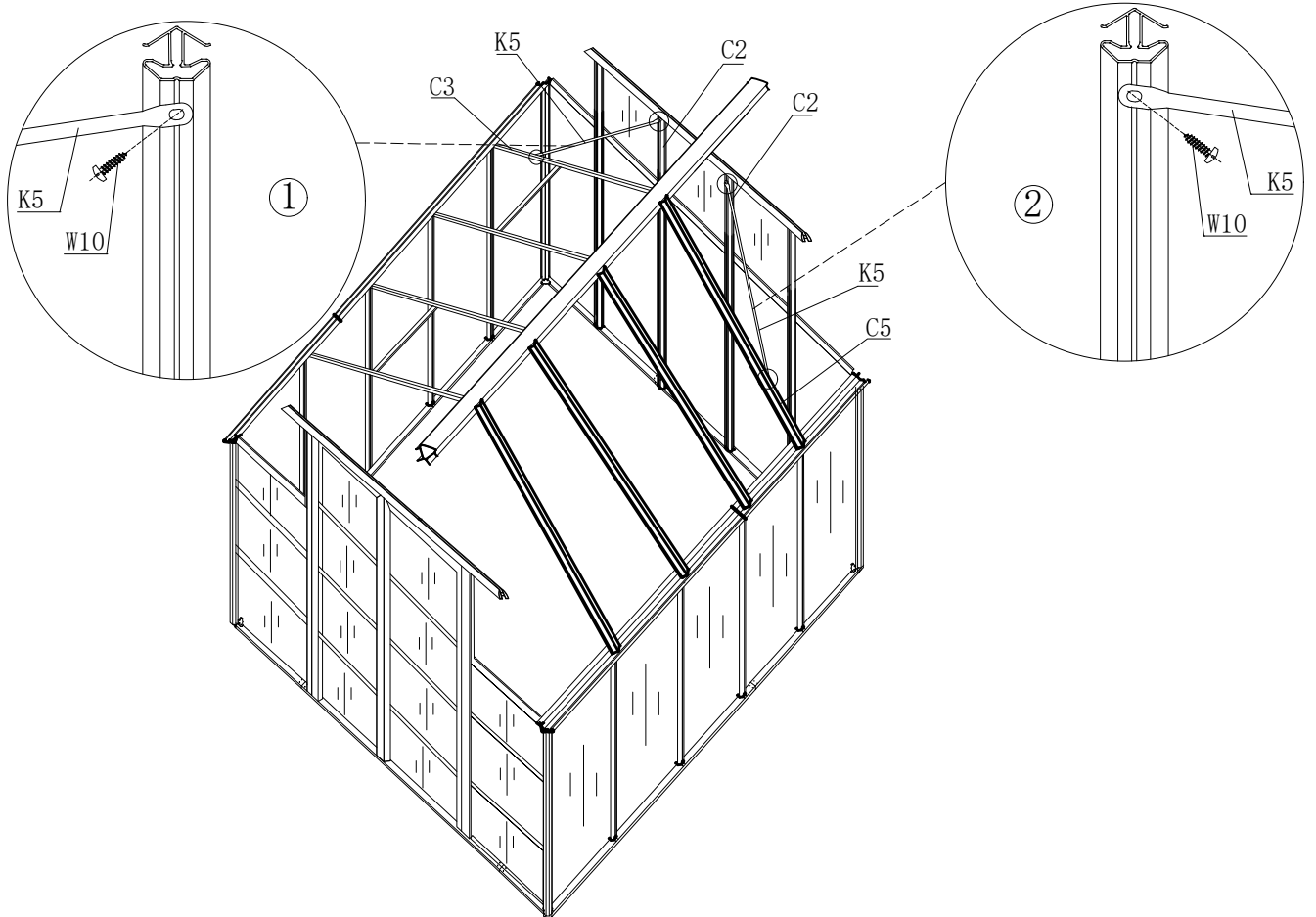
Connect the inclined pillar to the drainage ditch E1 E2



Link all inclined beams C3 C4 C5

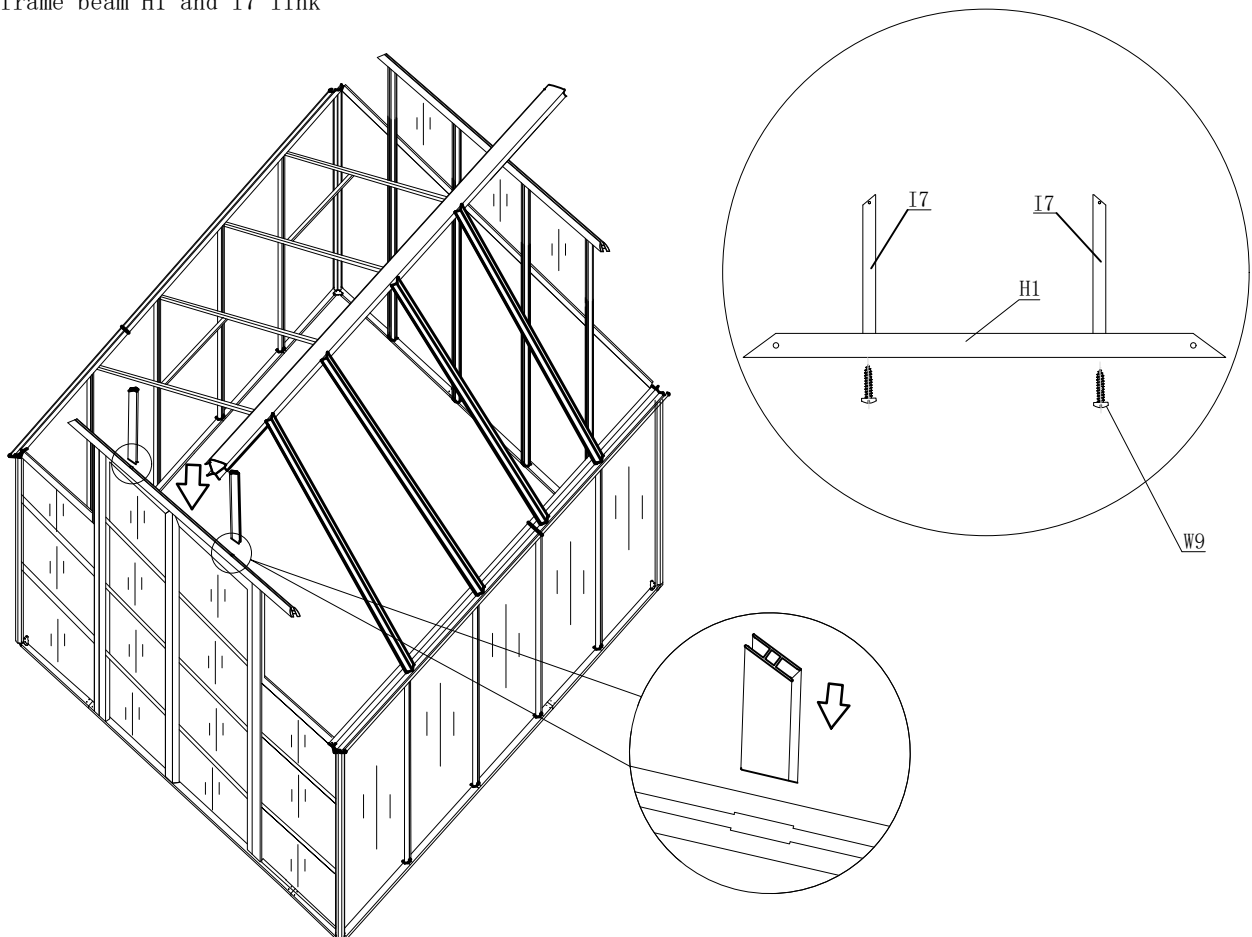


Support K5 link C2 C3 as shown in Figure1
Support K5 link C2 C5 as shown in Figure2



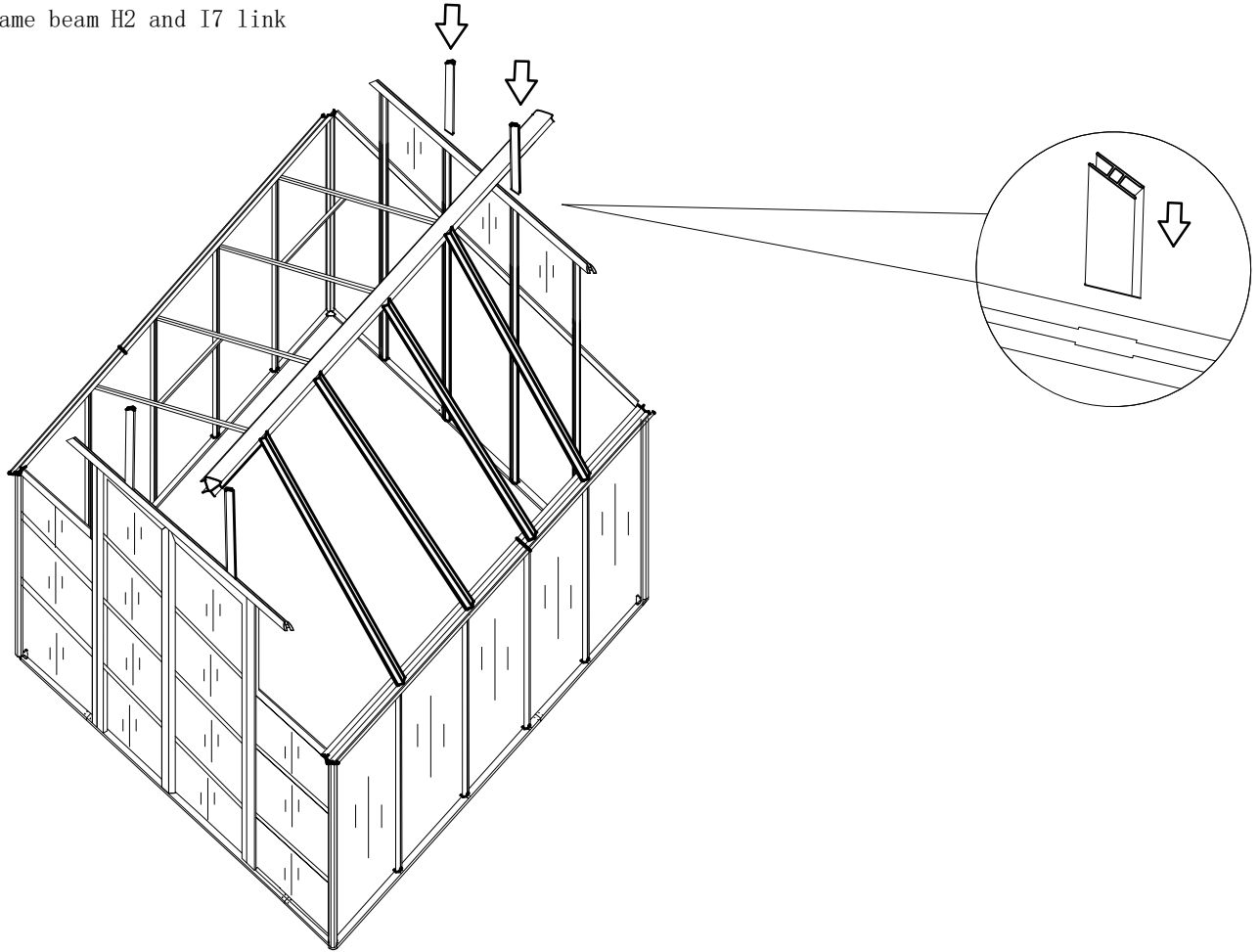
37

Door frame beam H1 and I7 link



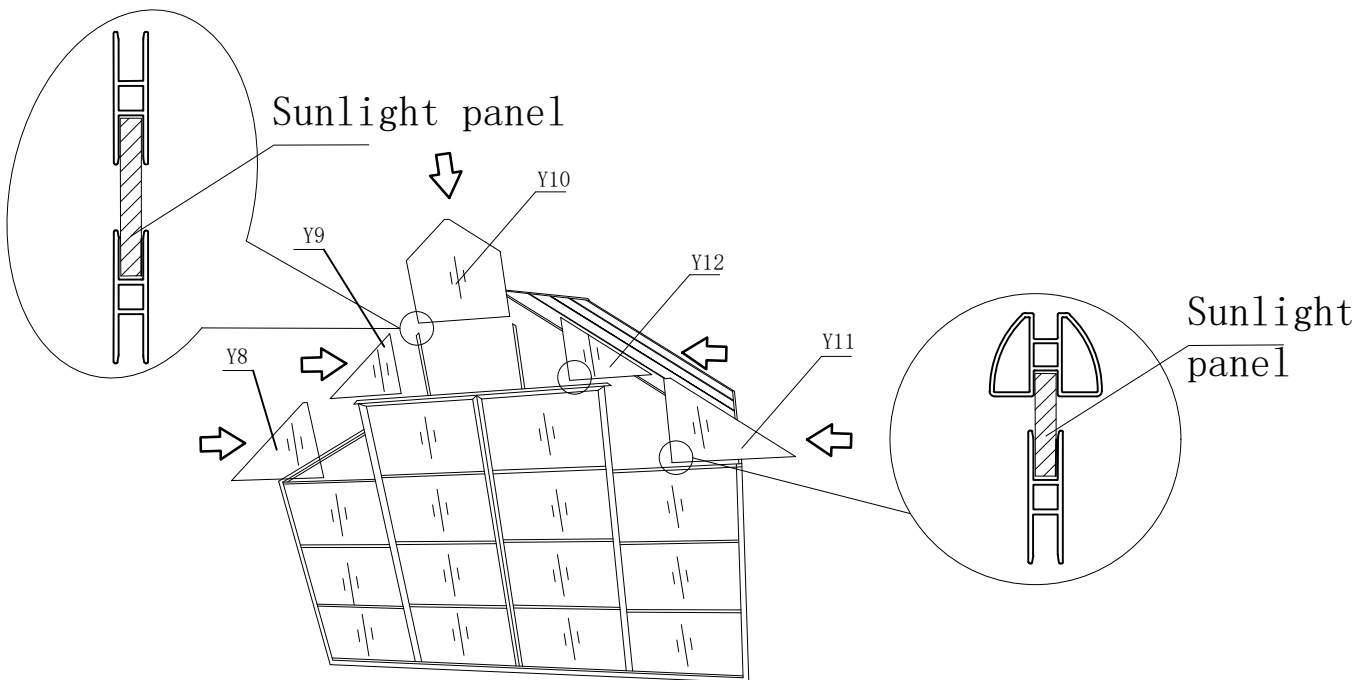
38

Door frame beam H2 and I7 link



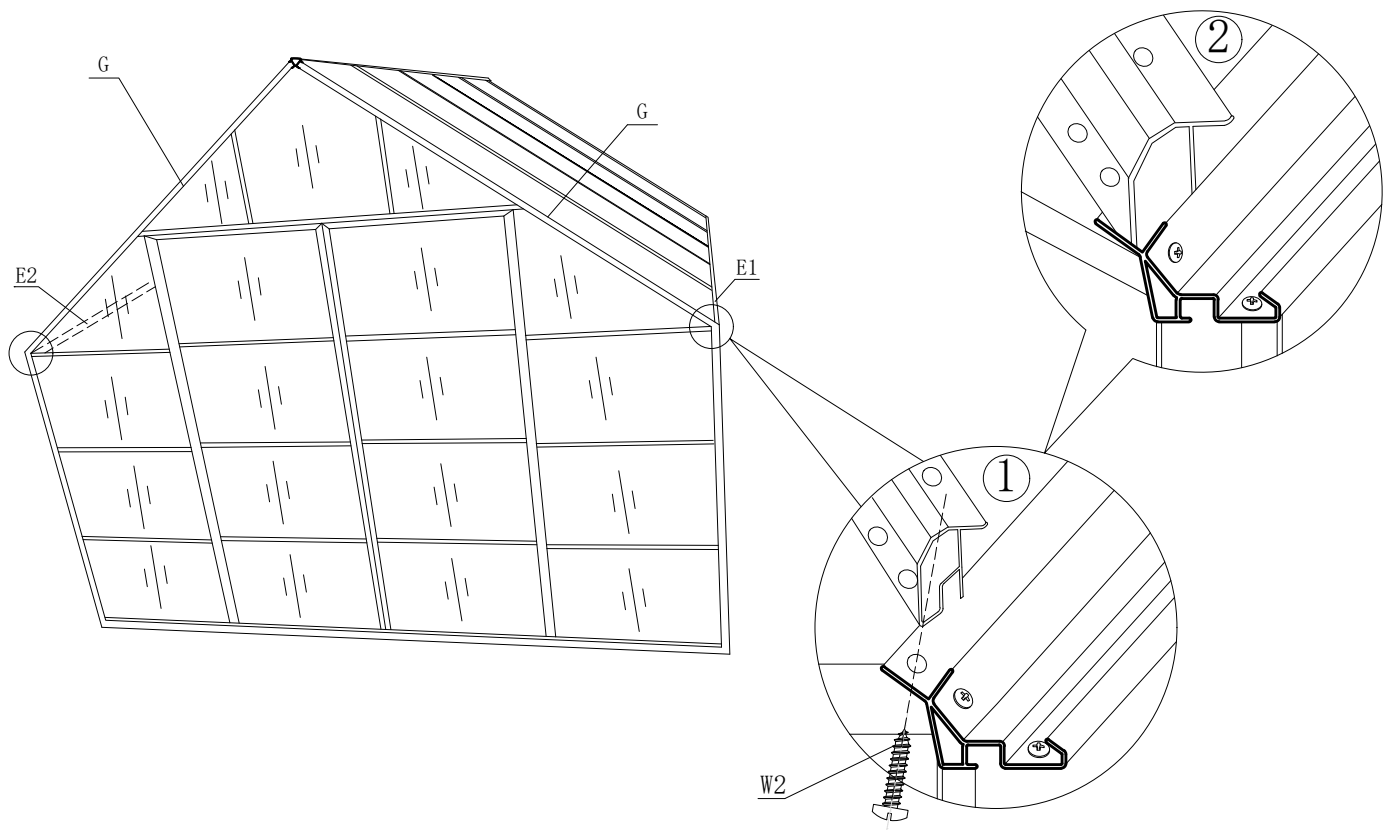
39

Insert the sun panel into card slot turn



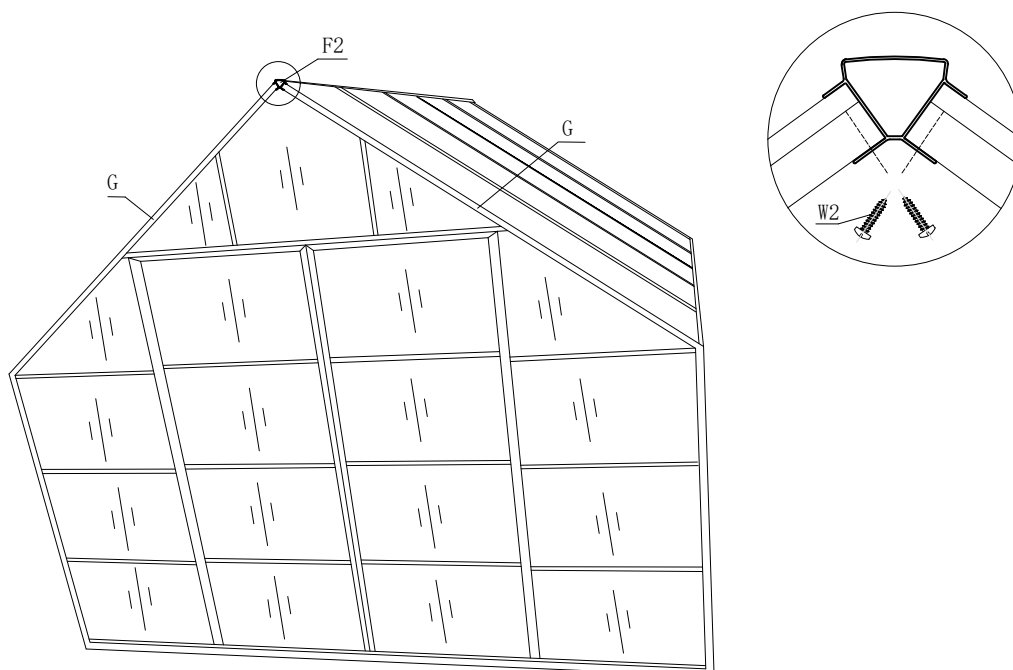
40

Connect two angled inclined pillars G with drain E1 E2



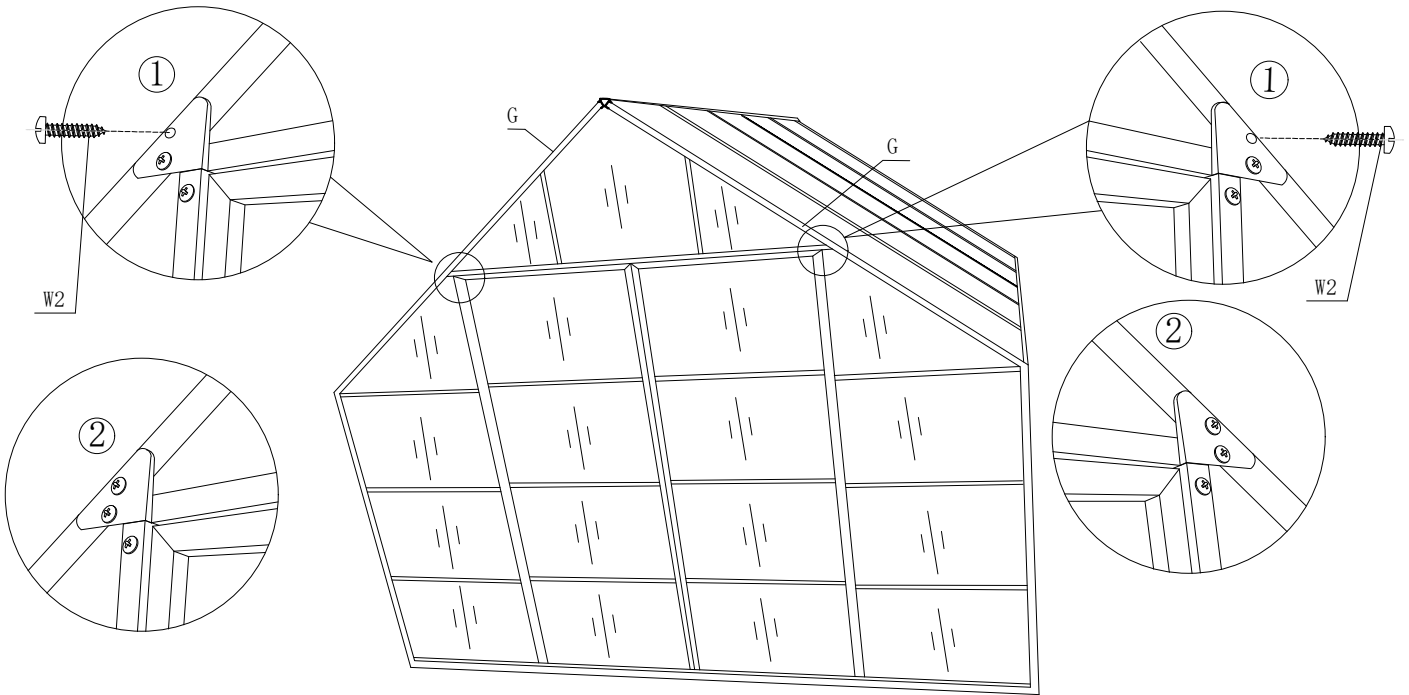
41

Connect two angled inclined pillars G to the top crossbeam F2



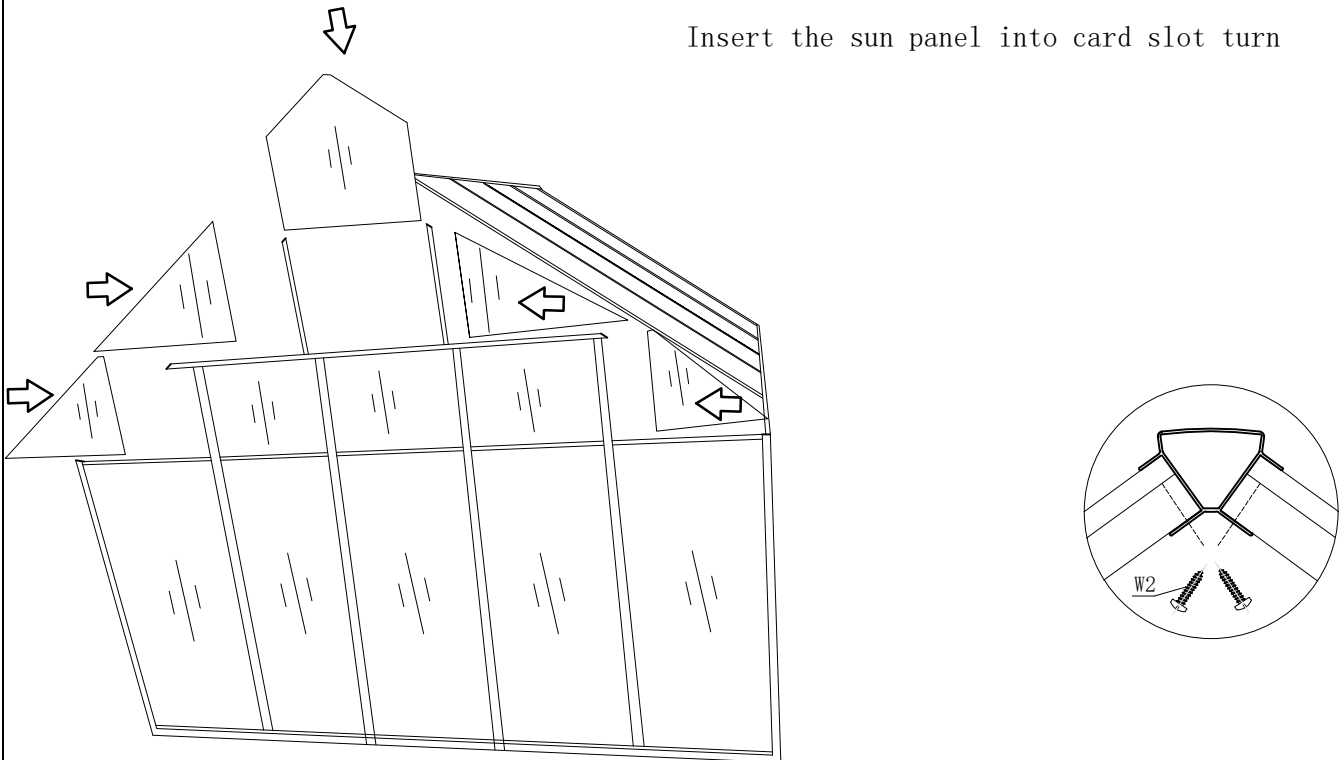
42

Inclined beam G and Z5 link



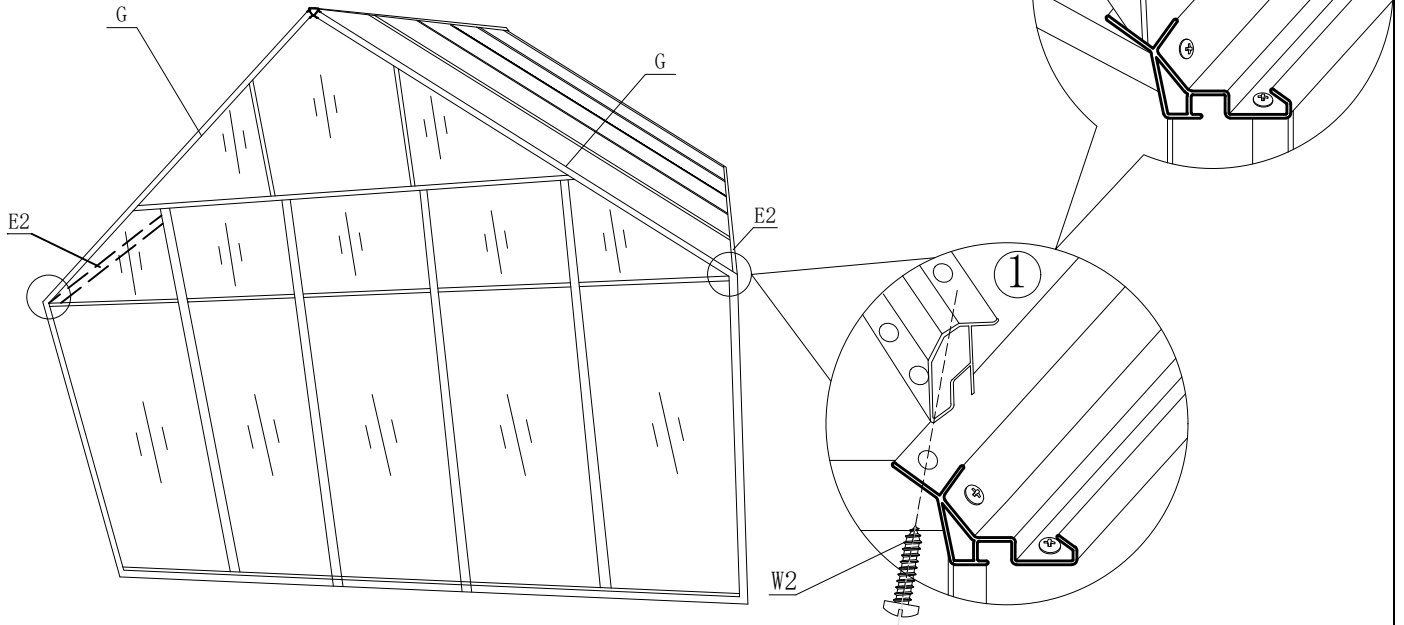
43

Insert the sun panel into card slot turn



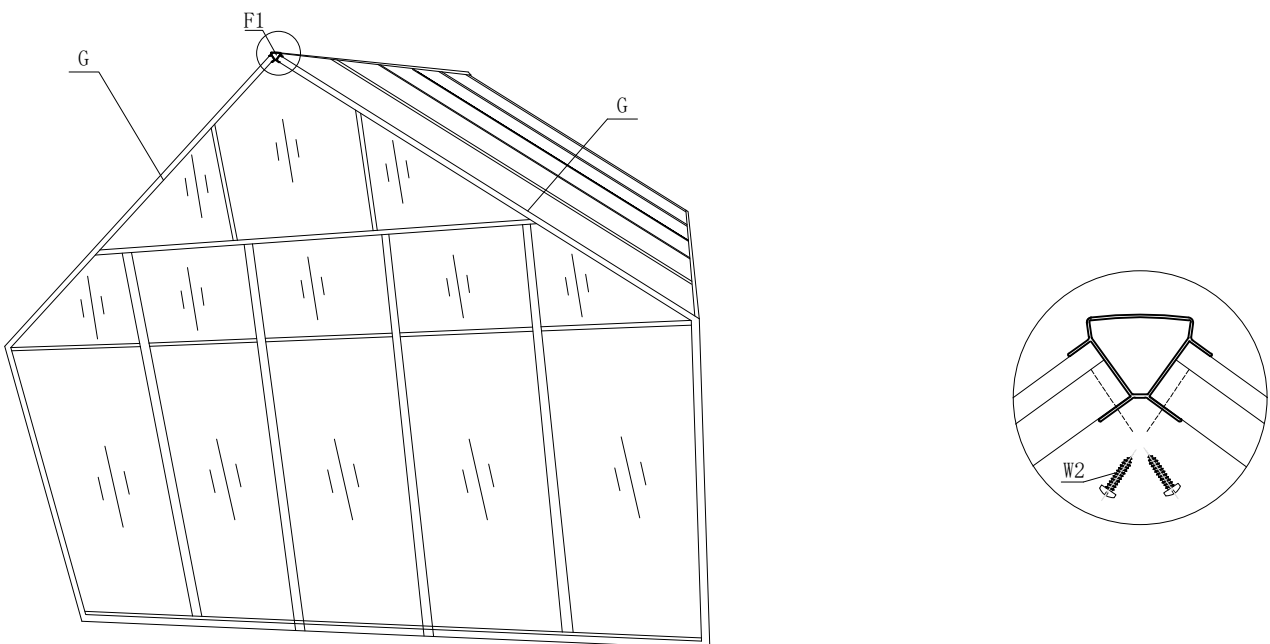
44

Connect two angled inclined pillars G with drain E1 E2



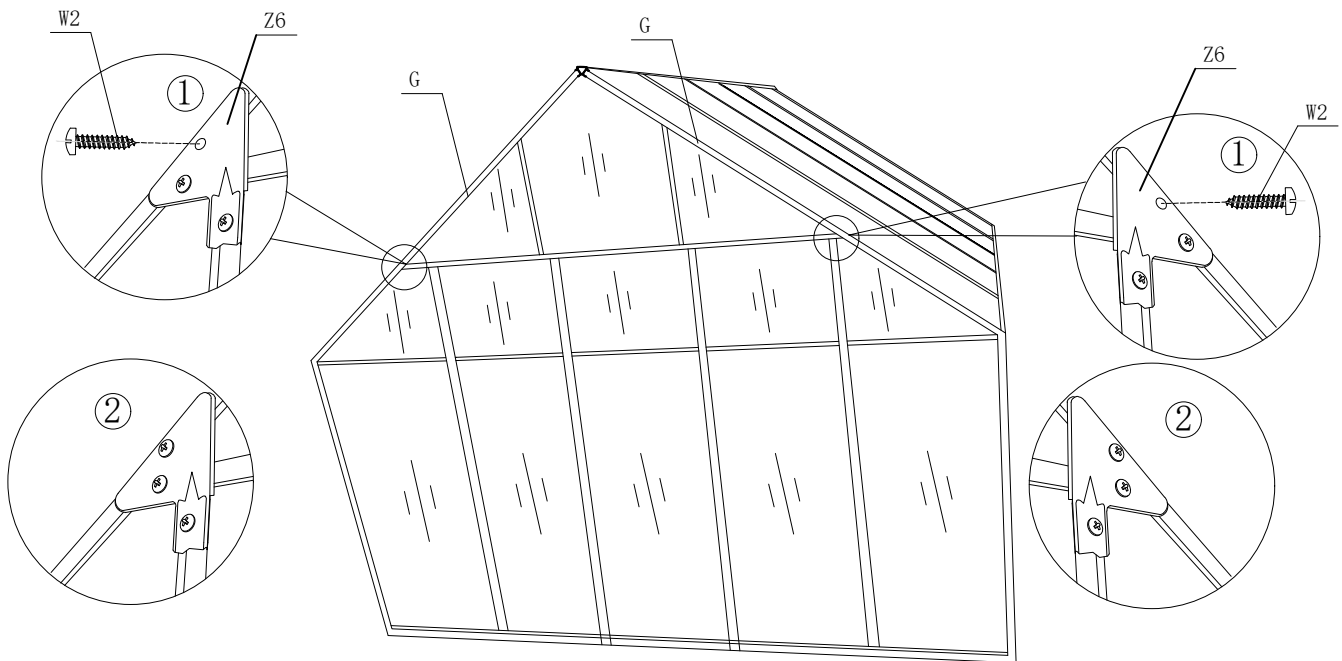
45

Connect four angled inclined pillars G to the top crossbeam F1

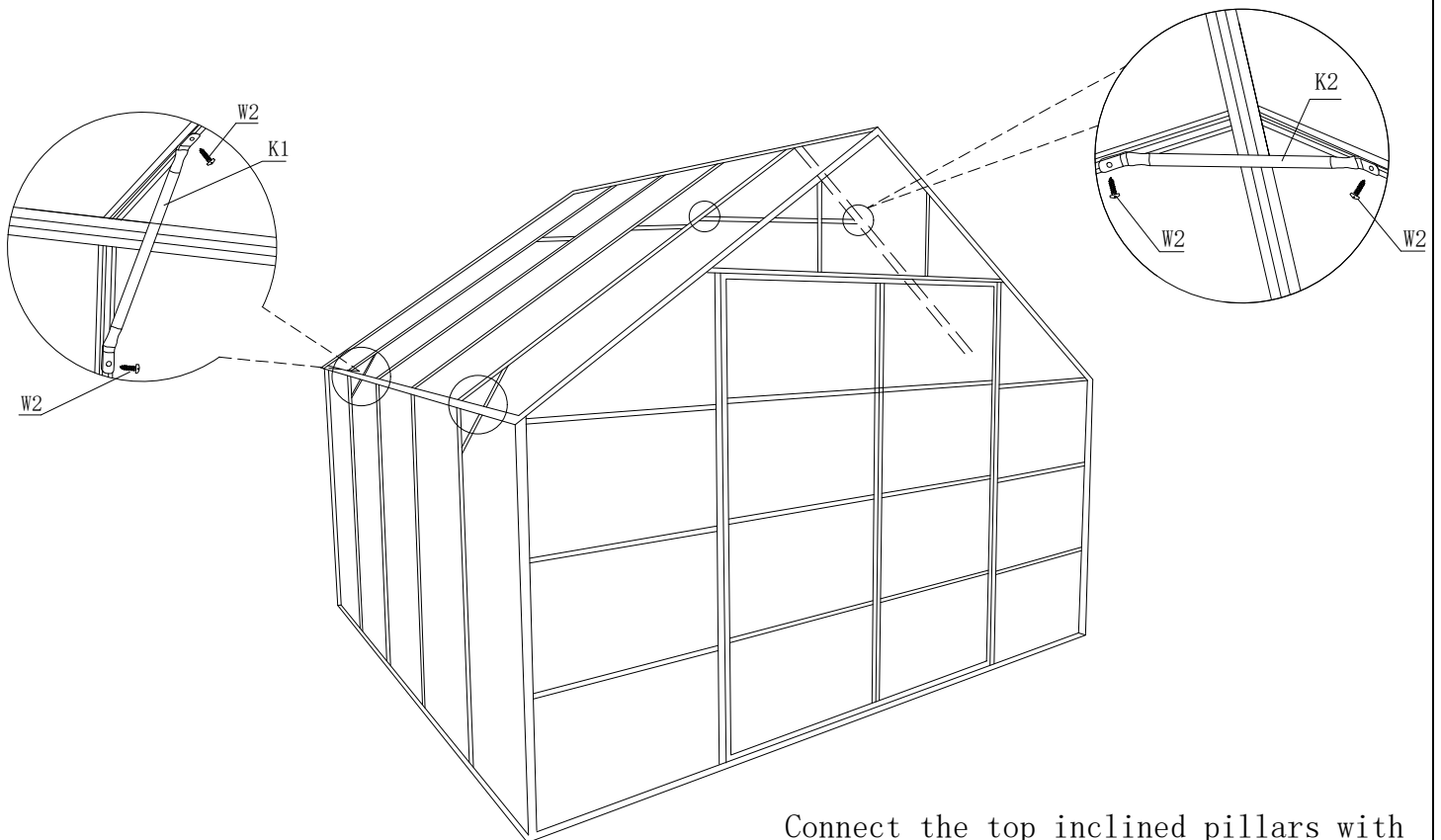


46

Inclined beam G and Z6 link



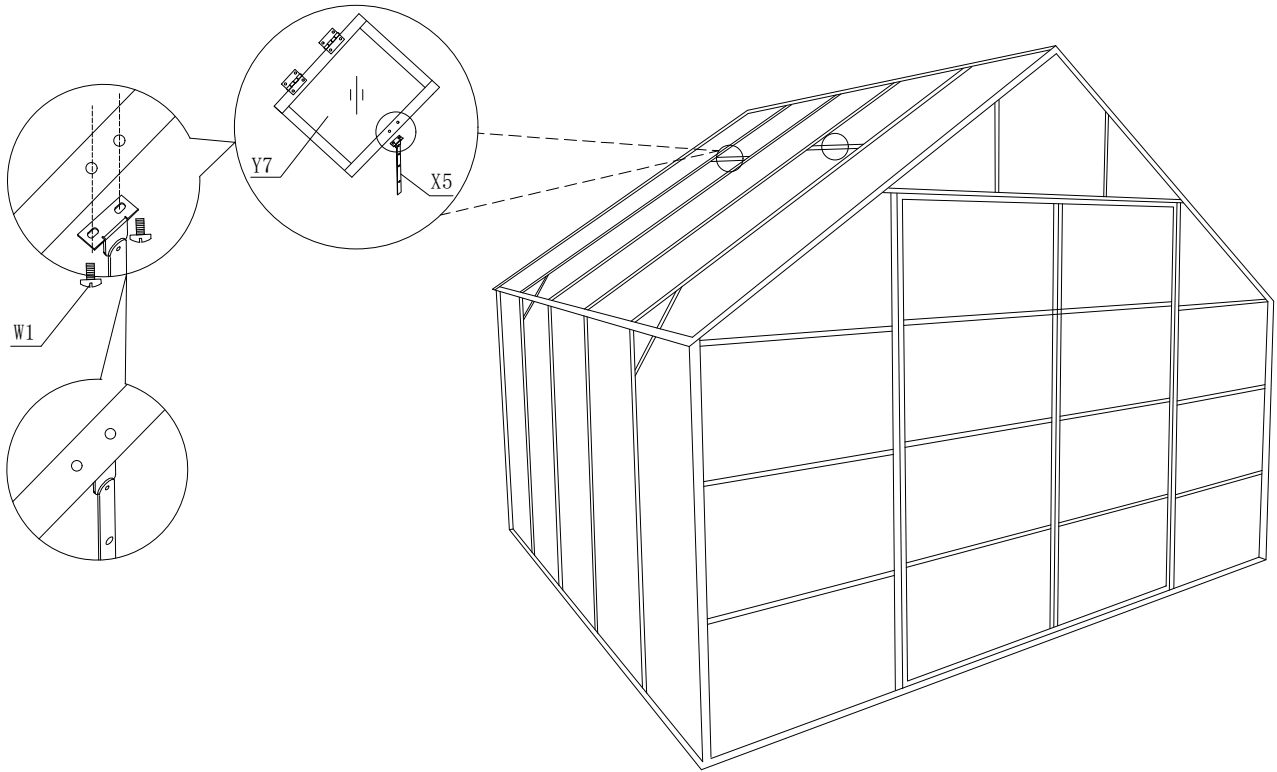
47



Connect the top inclined pillars with the supporting bars K2

Install the inclined supporting bars K1 on the side pillars and inclined pillars.

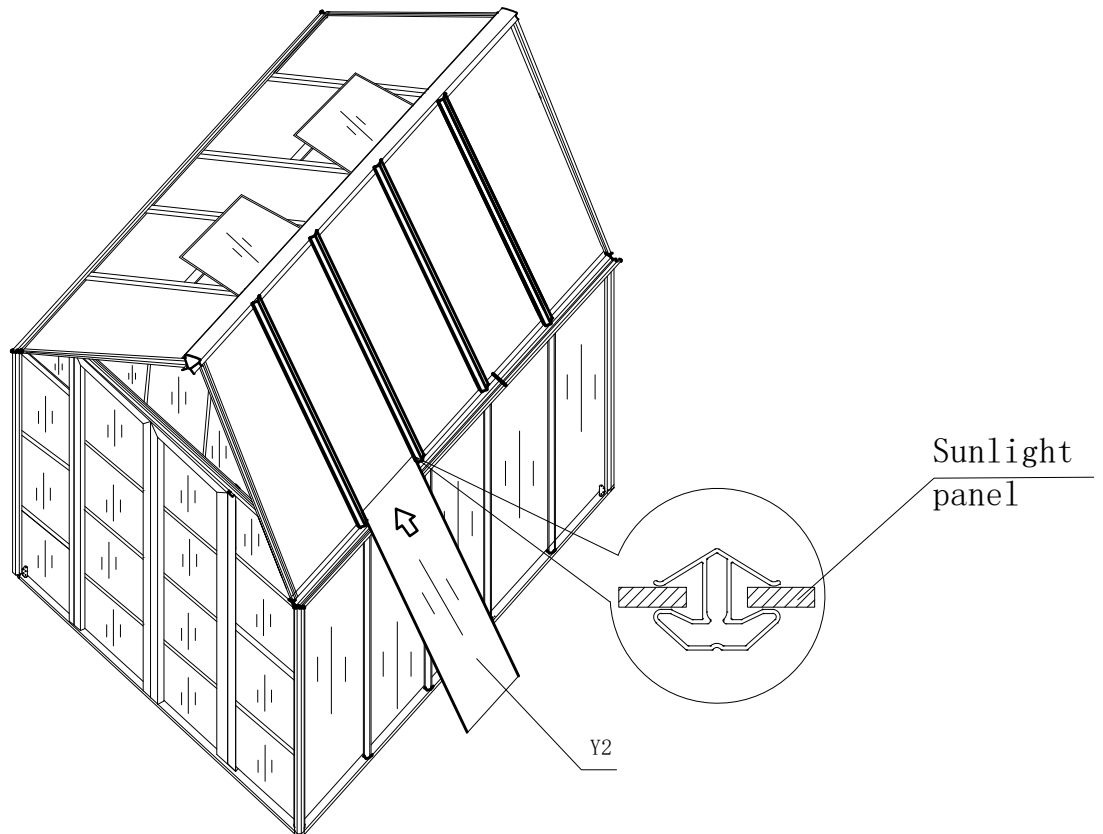
48



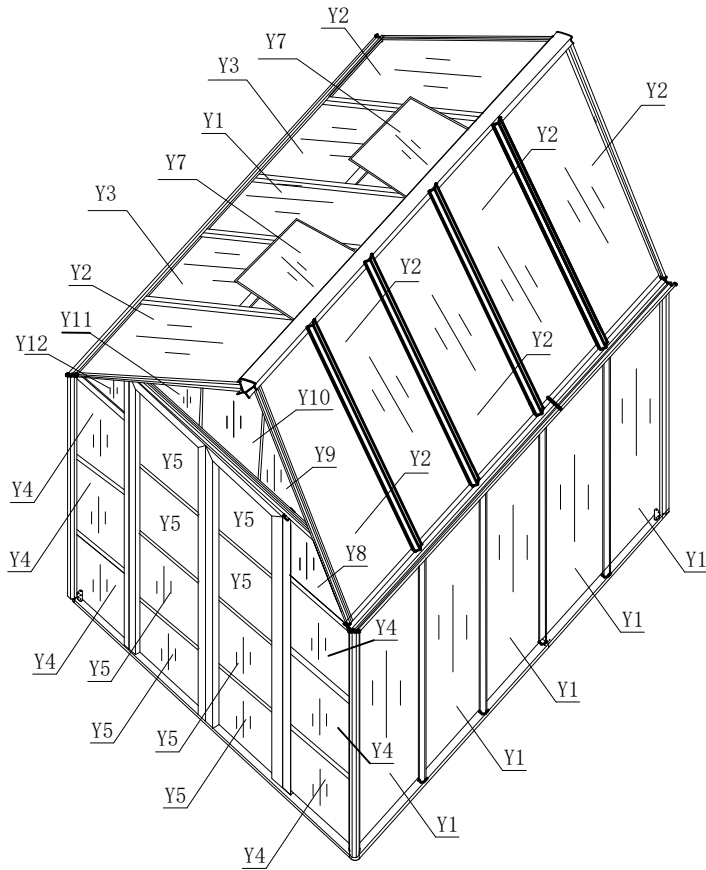
Connect bracing piece of Skylight Plastic Sheet X5 with Skylight Plastic Sheet Y7

49

Insert the top sun panel Y2 in turn

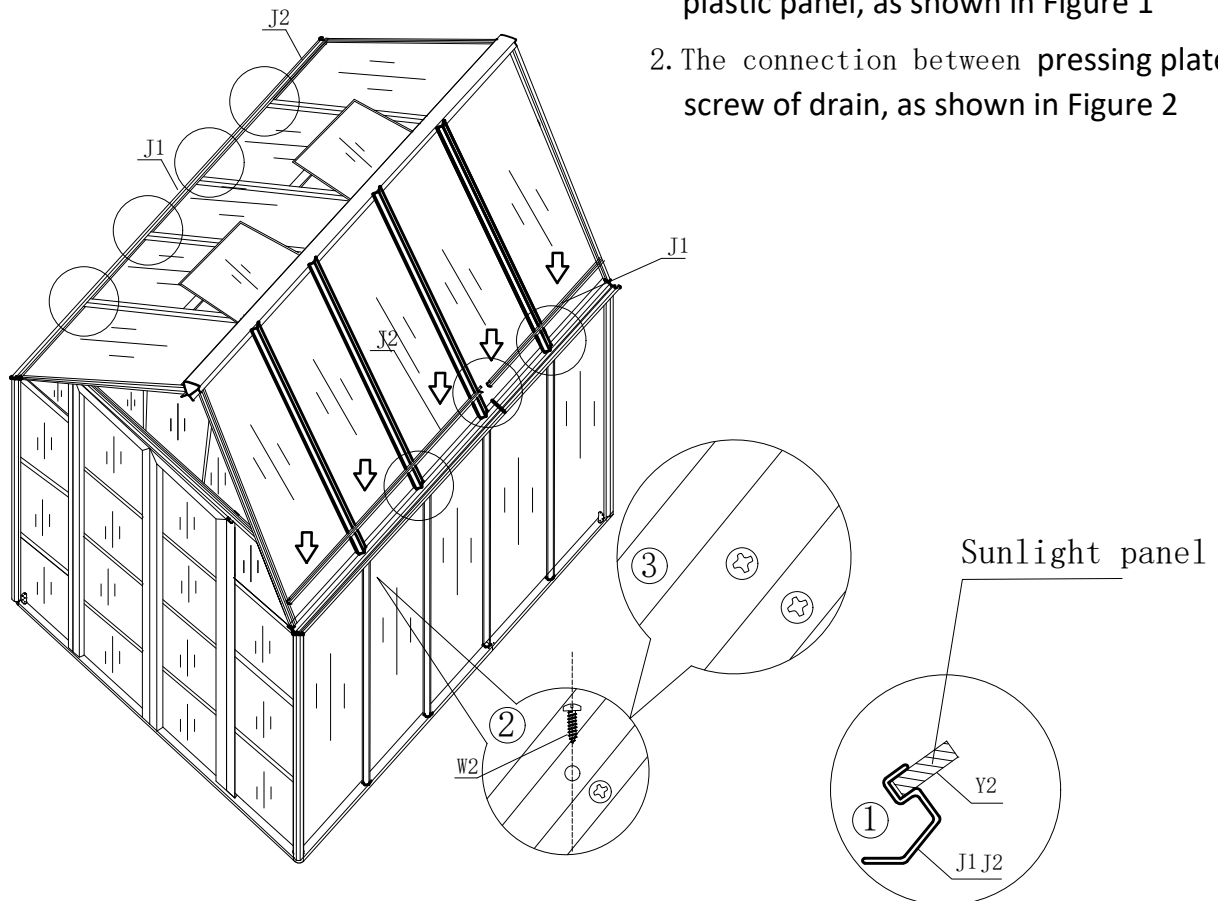


50



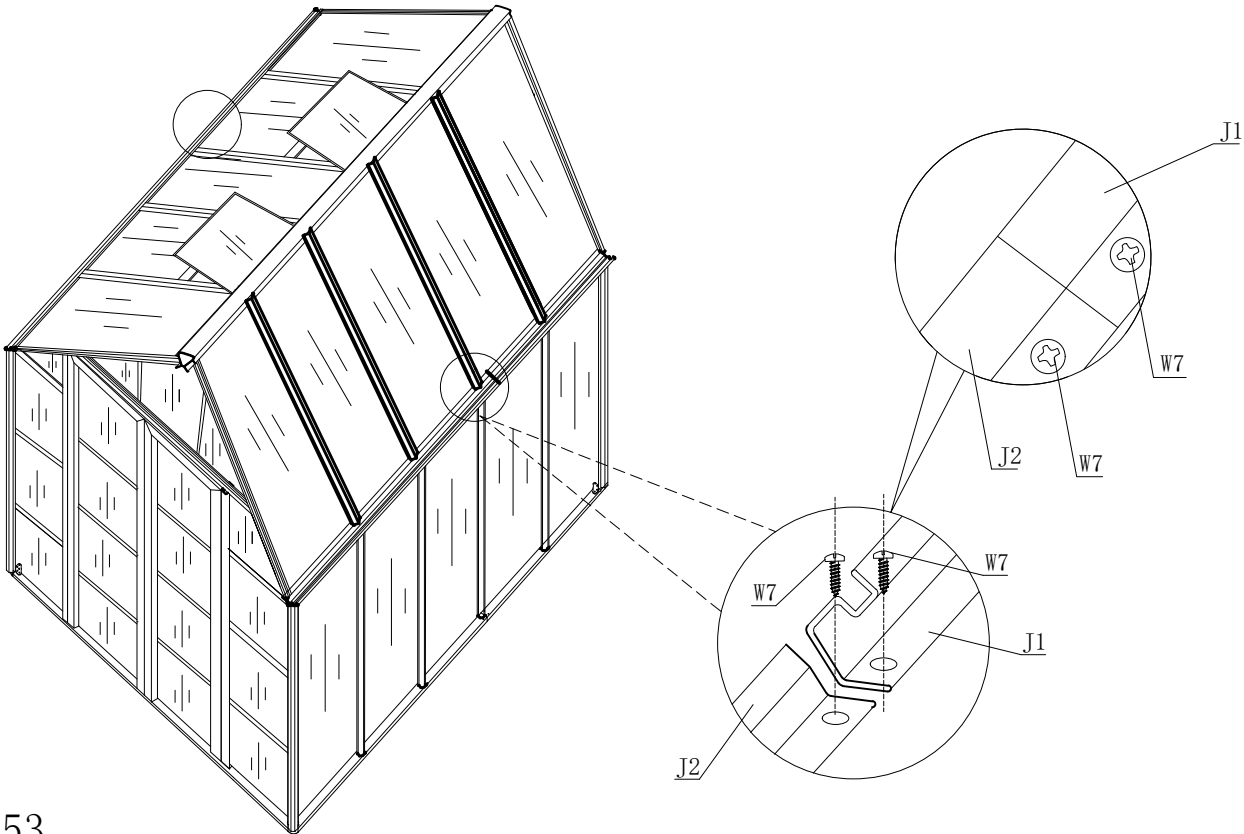
51

1. Insert pressing plate of drain into skylight plastic panel, as shown in Figure 1
2. The connection between pressing plate and screw of drain, as shown in Figure 2



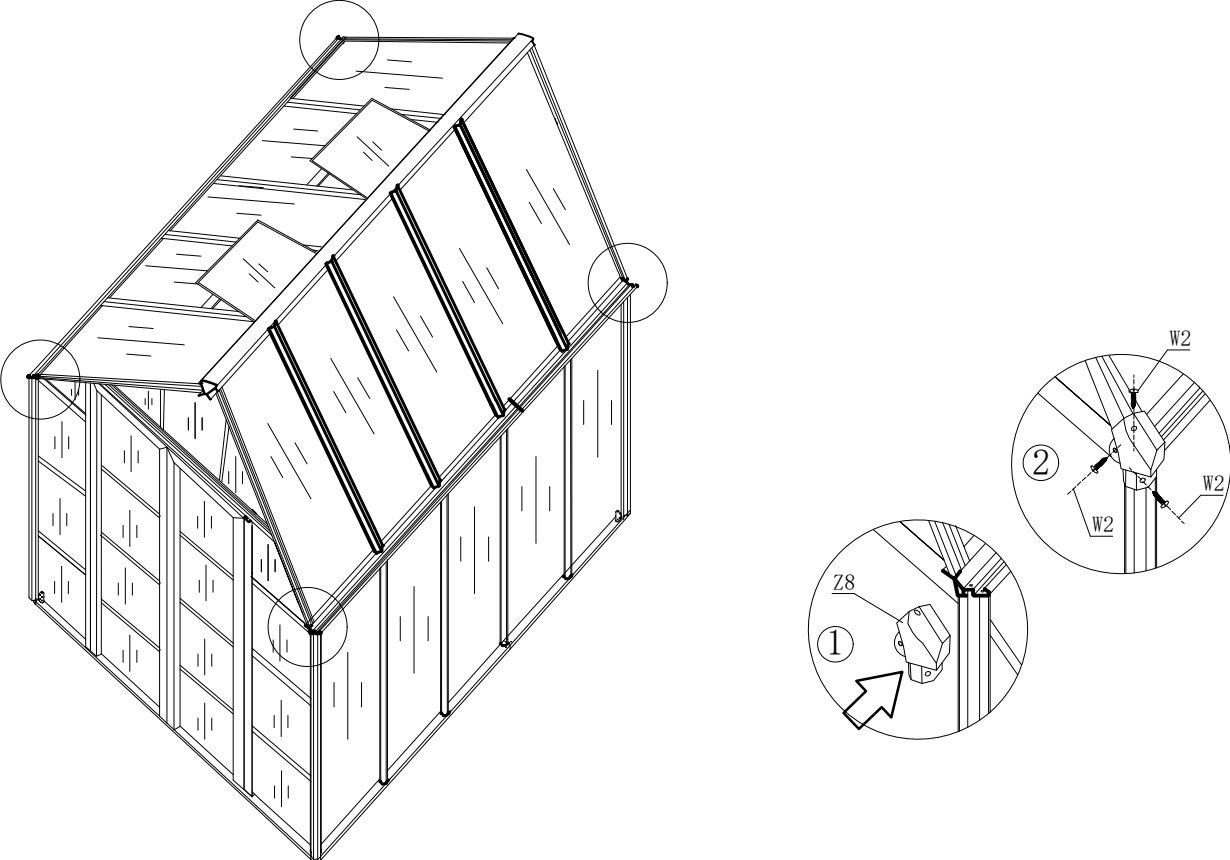
52

Connection of pressure plate and drainage ditch W7



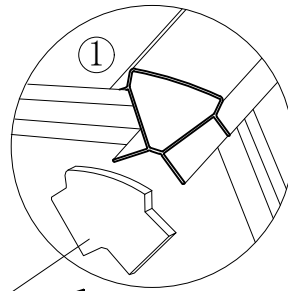
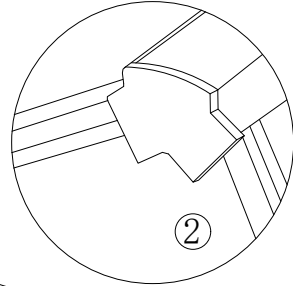
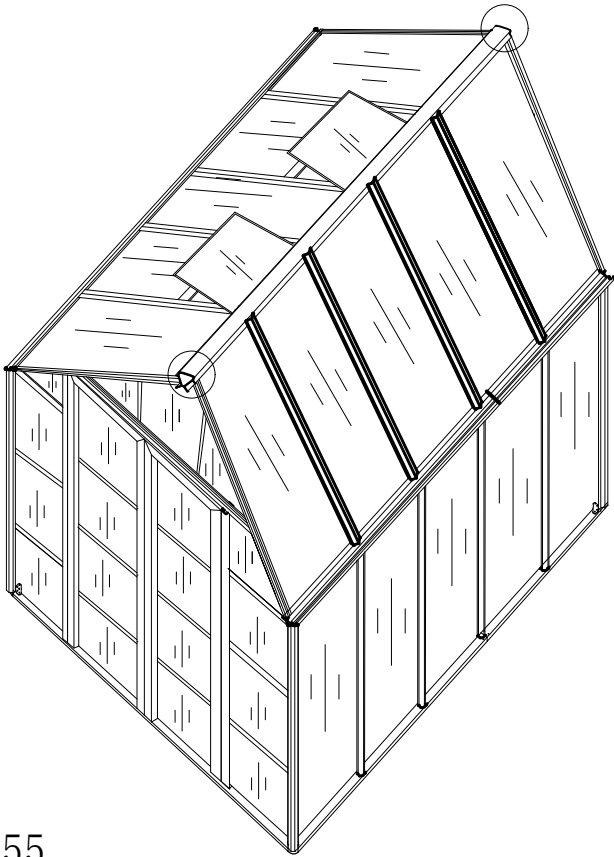
53

Fix plastic connector Z8 to the four side of corner of frame with screws W2



54

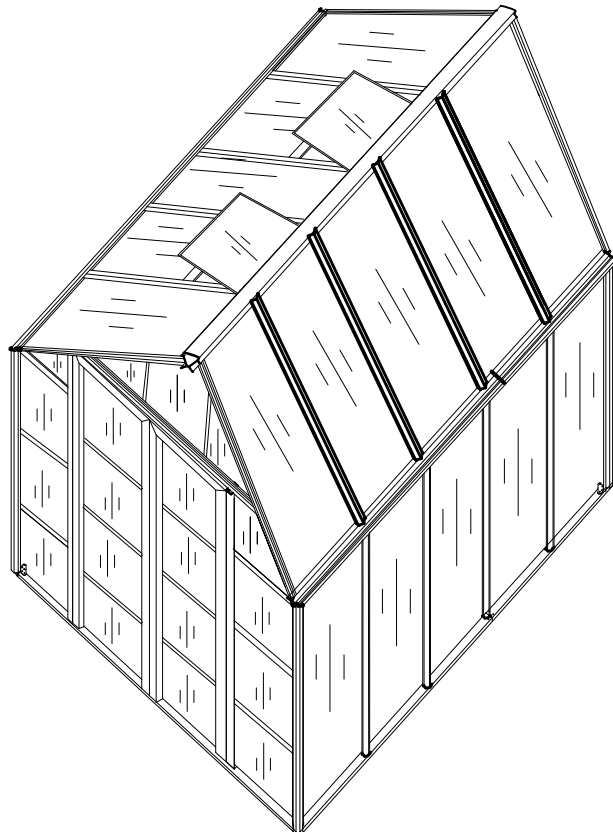
Knock the both side plug of top crossbeam



Z9



55



56