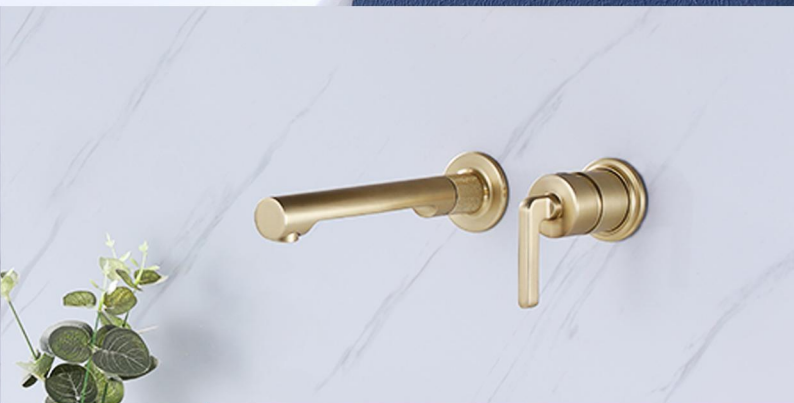
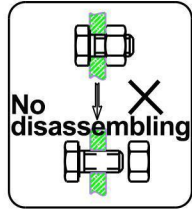


User's Manual

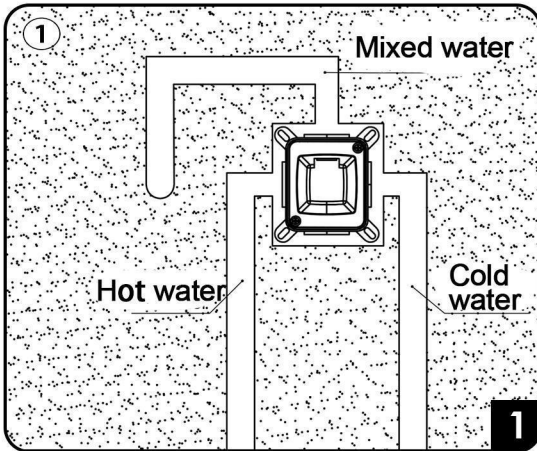


INSTALLATION STEPS

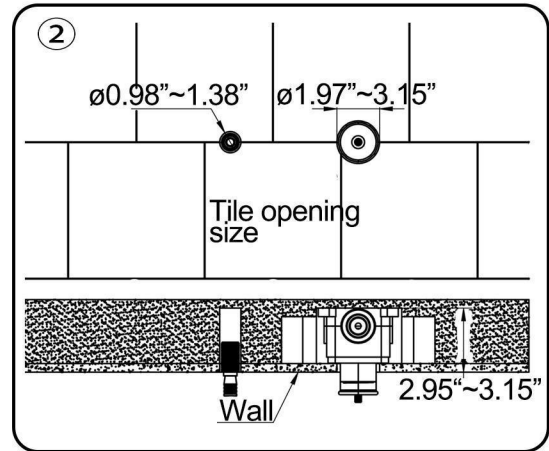
This product has been inspected and debugged by the factory to the best condition. Please do not disassemble and assemble it yourself.



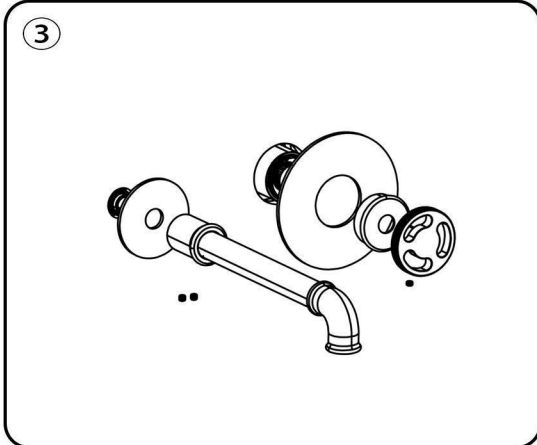
Before installing the product, please be sure to remove sundries and sludge from the water pipe to prevent sundries from blocking the product.



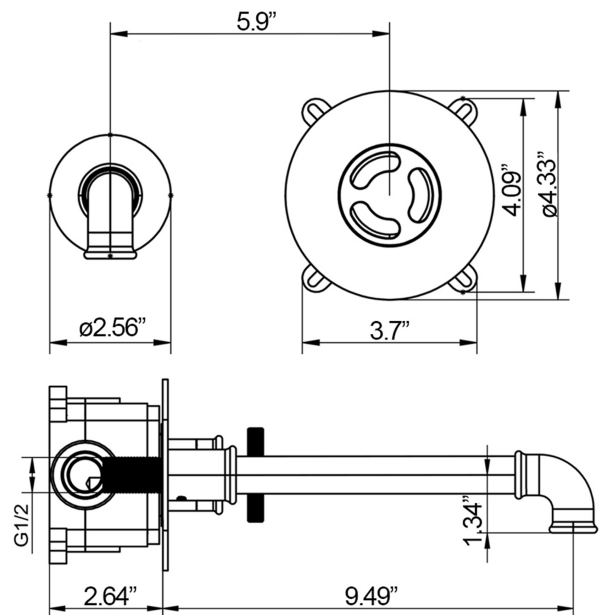
1. Determine where the concealed valve will be installed on the wall. Make a suitable hole in the wall. Install the concealed box in the wall, make sure that the “(up) mixing” mark is facing up, and the “hot water” mark is on the left. Connect G1/2 hot and cold water supply pipes, water outlet pipes. Note: Ensure that the center line of the valve body is perpendicular to the wall and the plane of the concealed box is horizontal. During the installation process, keep the plastic guard on the valve body.



2. The maximum and minimum distances from the bottom of the concealed box to the decorated wall are shown in Pic 2. Note: Check for leakage before covering the pipe.



3. As shown in Pic 3, after finishing the wall decoration, install the decorative sheet, trim plate, spout and handle correctly.



CLEANING CARE

In order to keep the appearance of product clean, bright and good performance, please take care of the product as follows;

1. Rinse with water only and dry with soft cotton cloth;
2. Use mild liquid and colorless glass cleaner to remove surface dirt and scale film, or use polish without abrasive effect;
3. Do not use abrasive detergent, polish, emery cloth, paper towel or scraper, etc;
4. Do not use acid cleaner, or cleaner and soap with insoluble gran etc;
5. In the process of use, mud may accumulate in the bubbler and make the water flow show, The bubbler can be unscrewed, rinsed with water, and then installed back in place.



