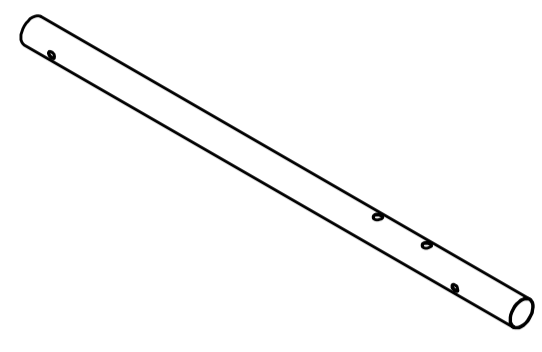
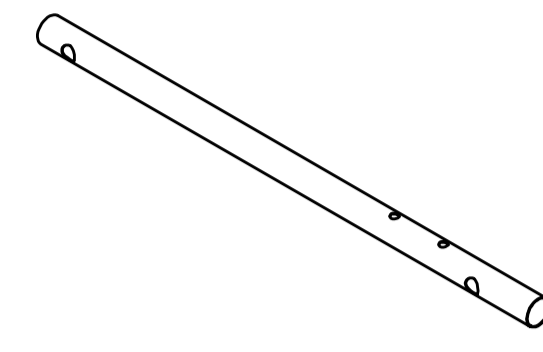
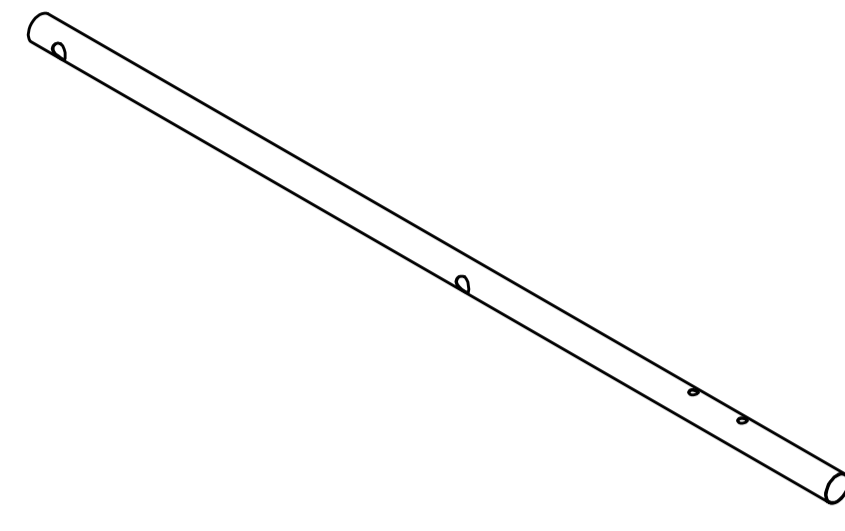
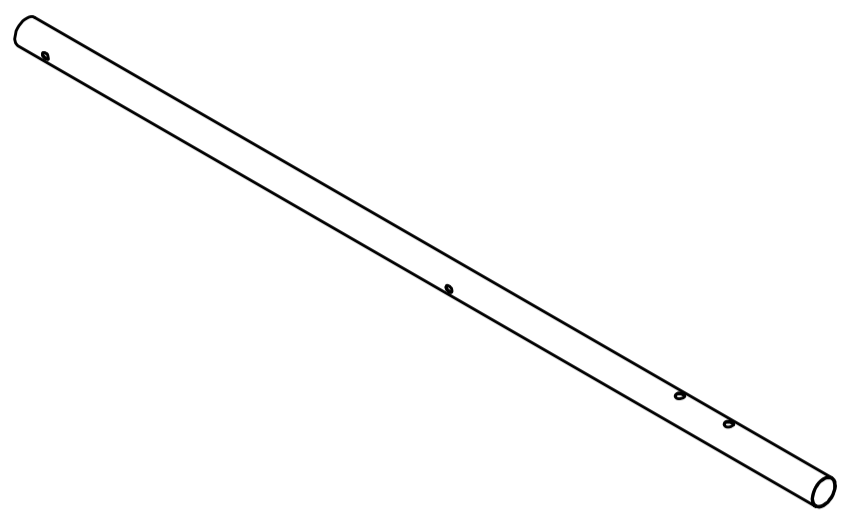


# ASSEMBLY INSTRUCTION

**A** LSF Headboard Post   **B** RSF Headboard Post   **C** LSF Footboard Post   **D** RSF Footboard Post



1PC

1PC

1PC

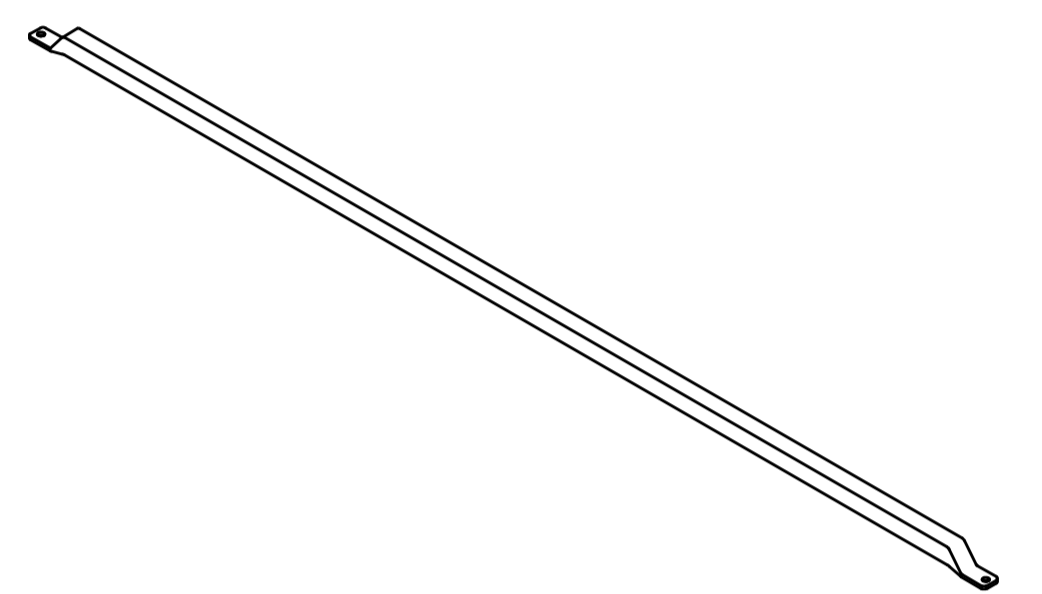
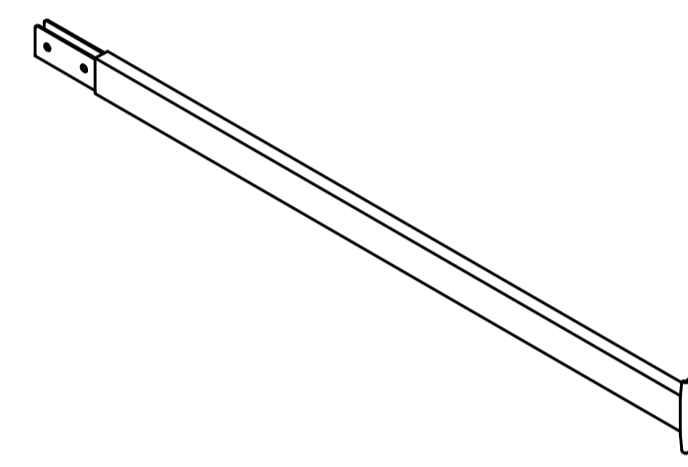
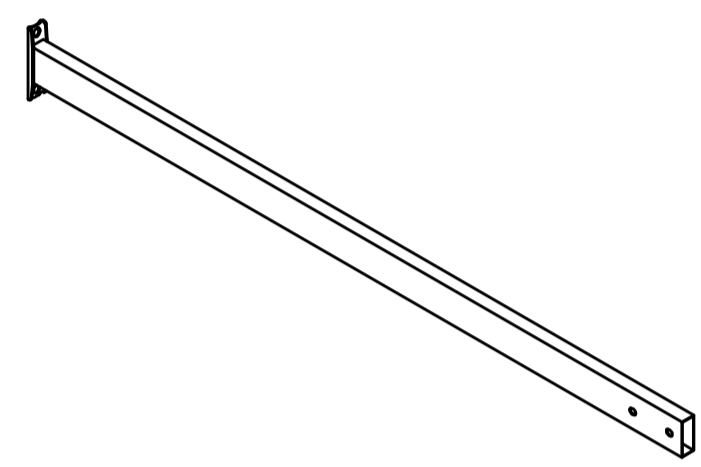
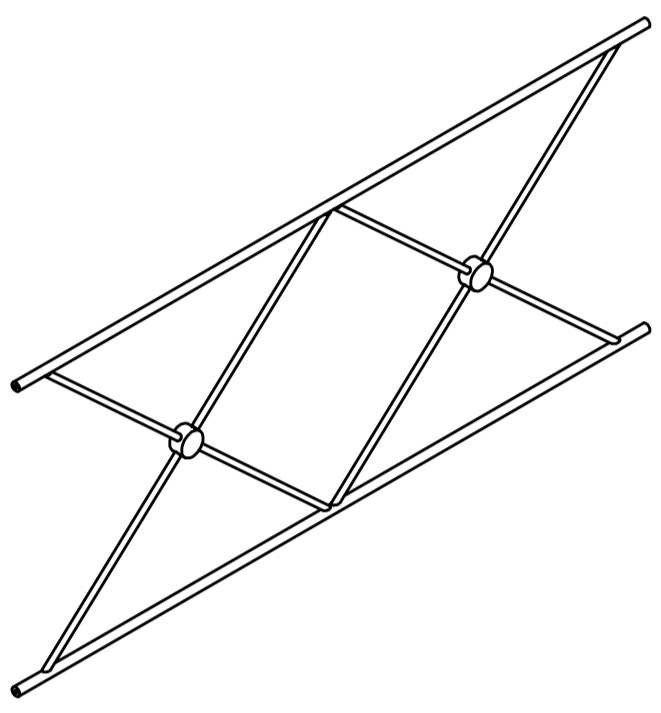
1PC

**E** Headboard /  
Footboard

**F** Rail Section (1)

**G** Rail Section (2)

**H** Front / Rear Support  
Bar



2PCS

2PCS

2PCS

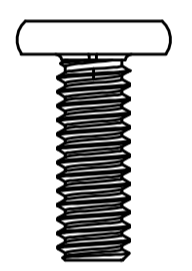
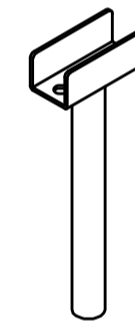
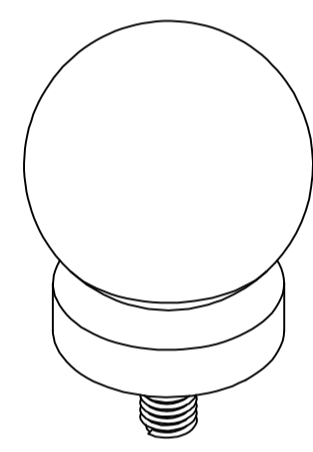
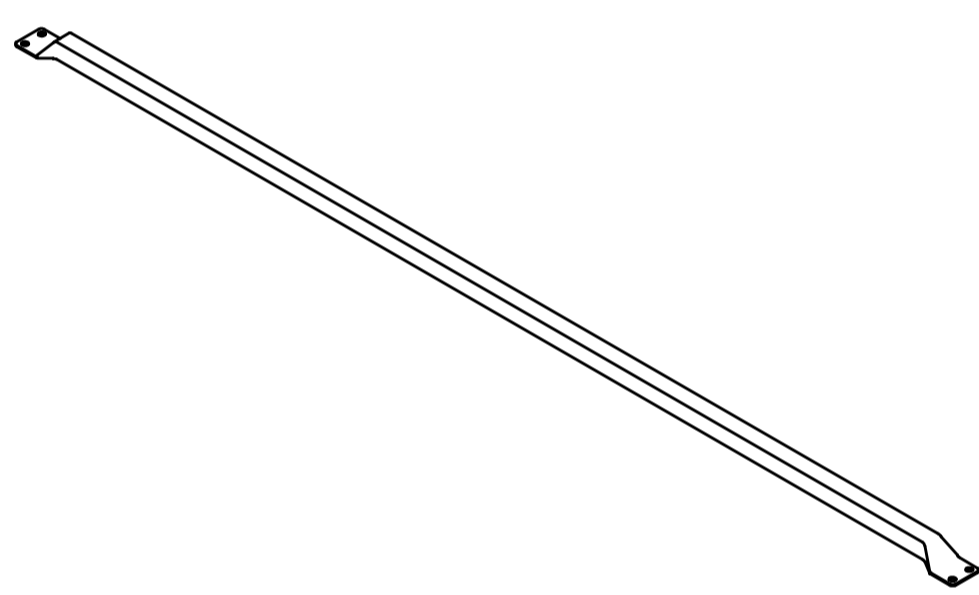
2PCS

**I** Center Support Bar

**J** Finial

**K** Support Leg

**L** Bolt  
1/4"\*17.5mm



1PC

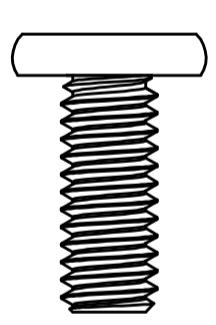
4PCS

4PCS

20PCS

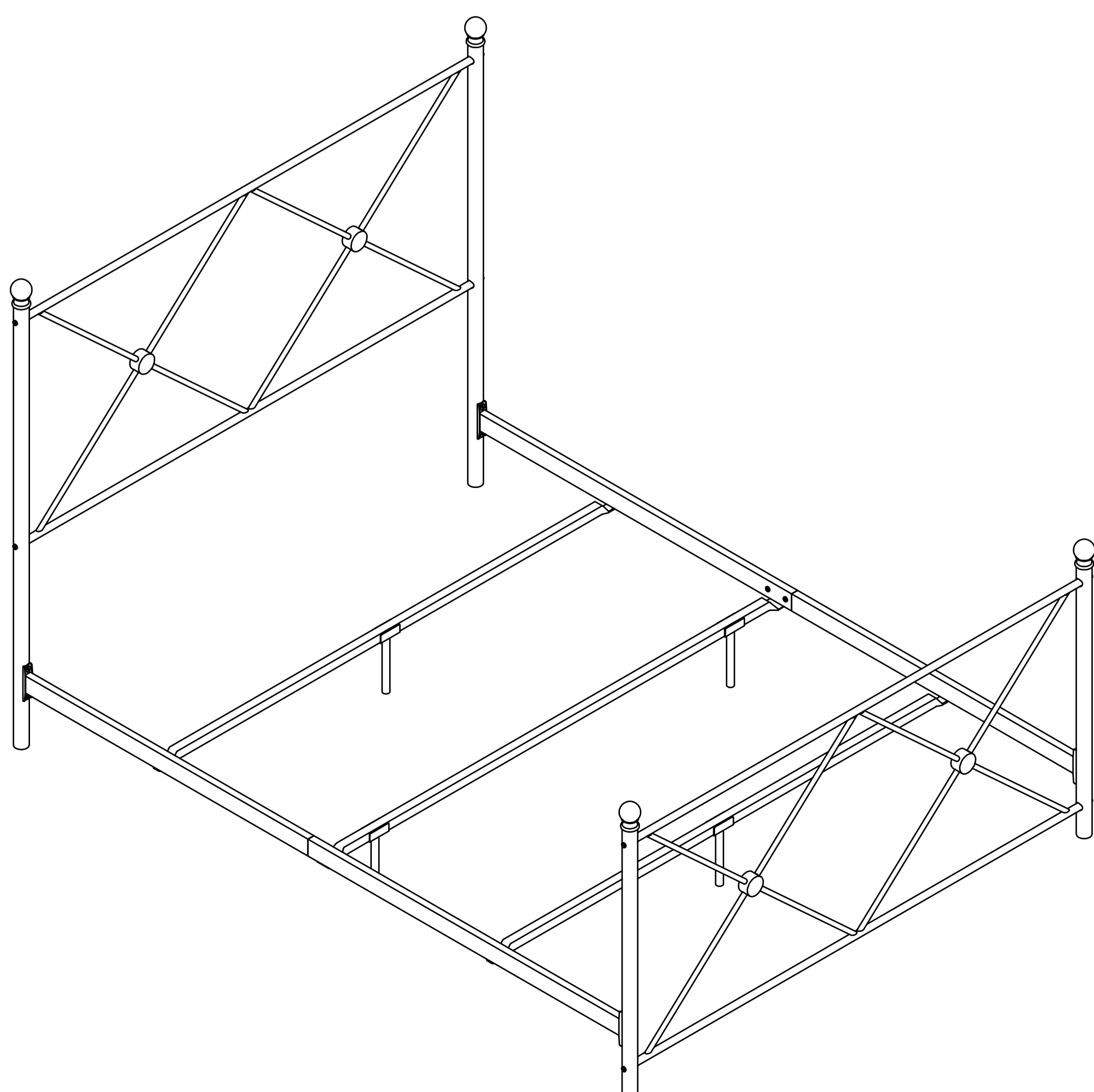
**M** Bolt  
5/16"\*19mm

**N** L-Allen Key  
4mm



16PCS

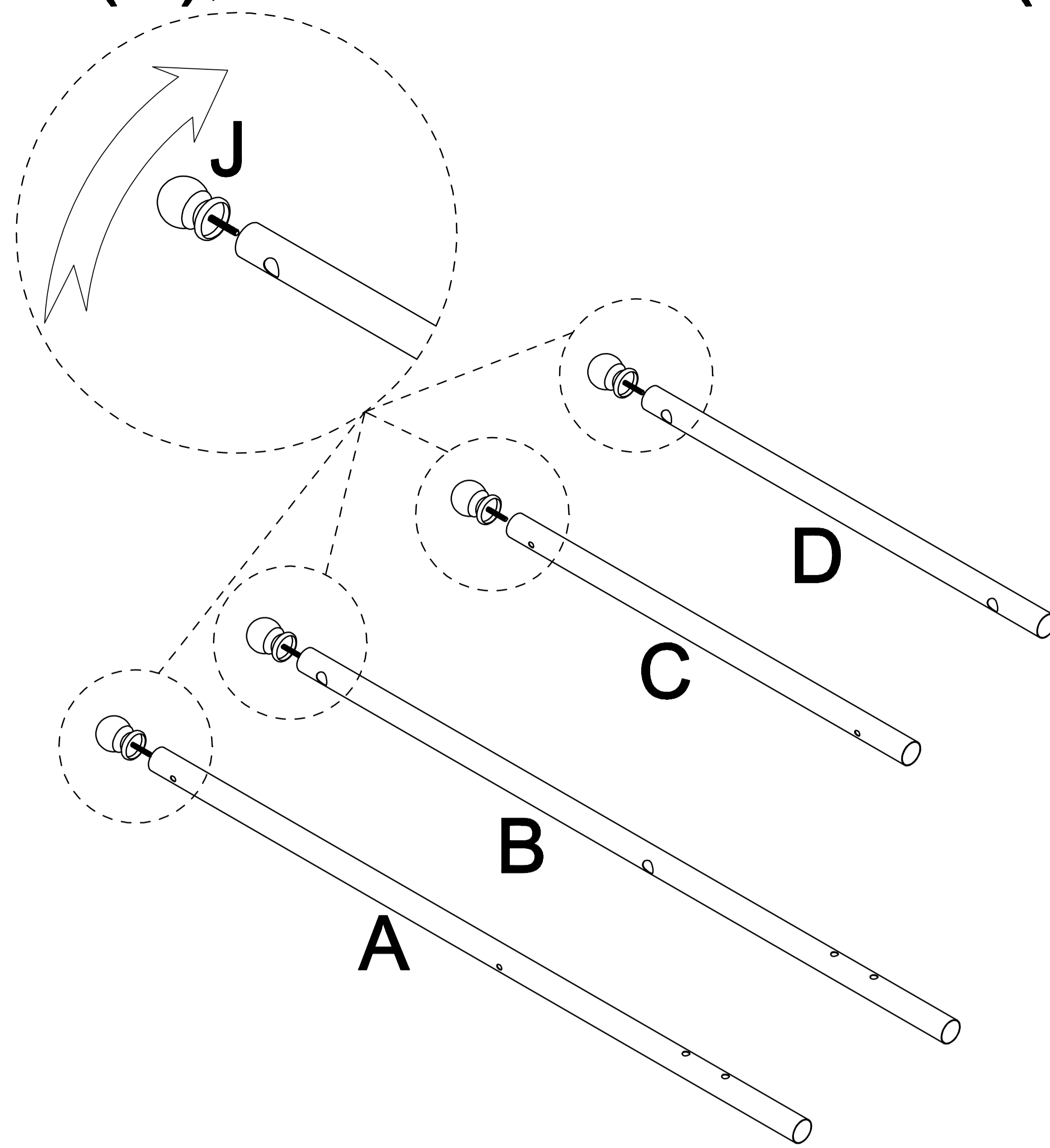
1PC



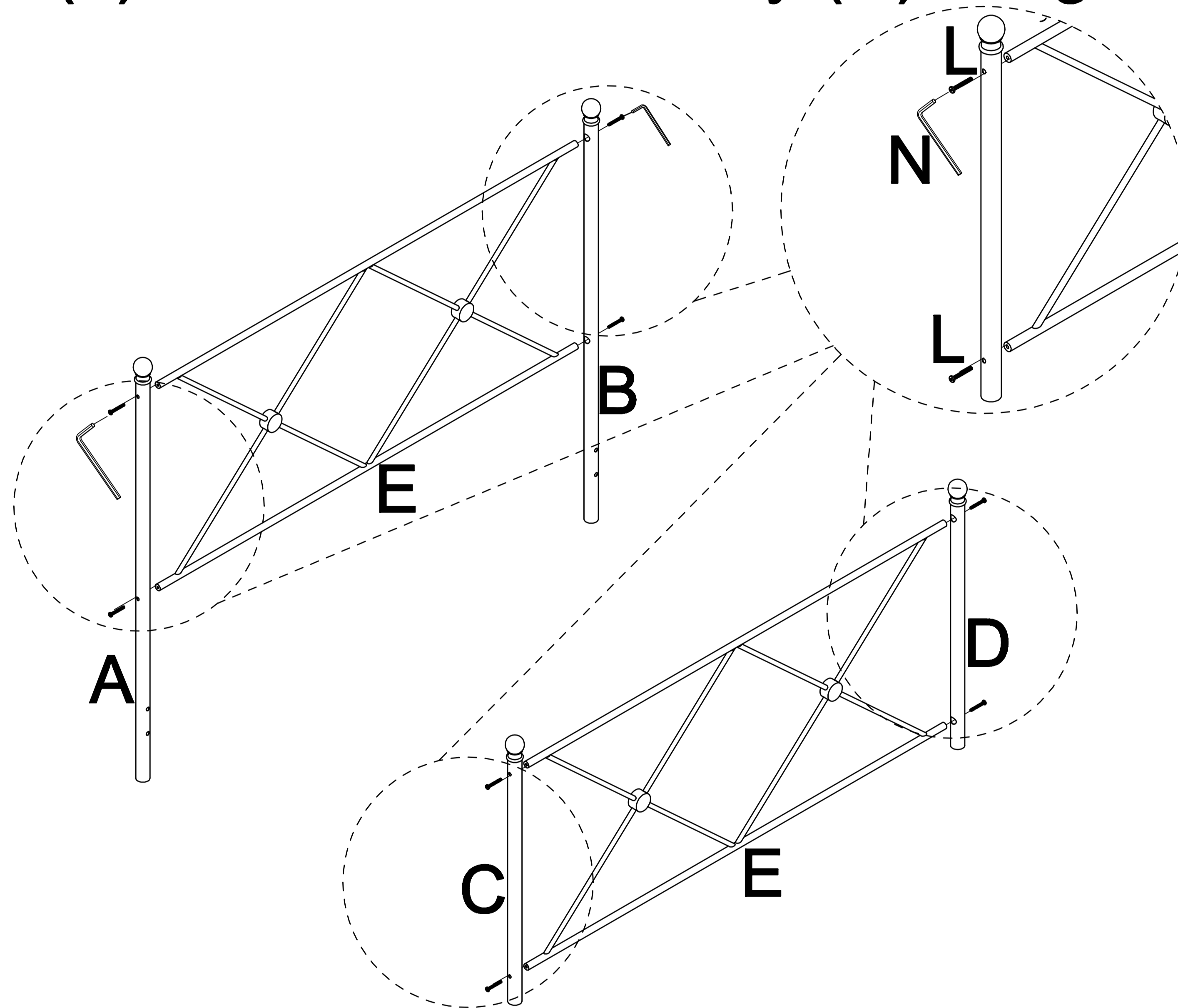
This page lists all the contents included in the box. Please take the time to identify the hardware as well as the individual components to this product. As you unpack and prepare for assembly, place the contents on a carpeted or padded area to protect them from damage.

**1**

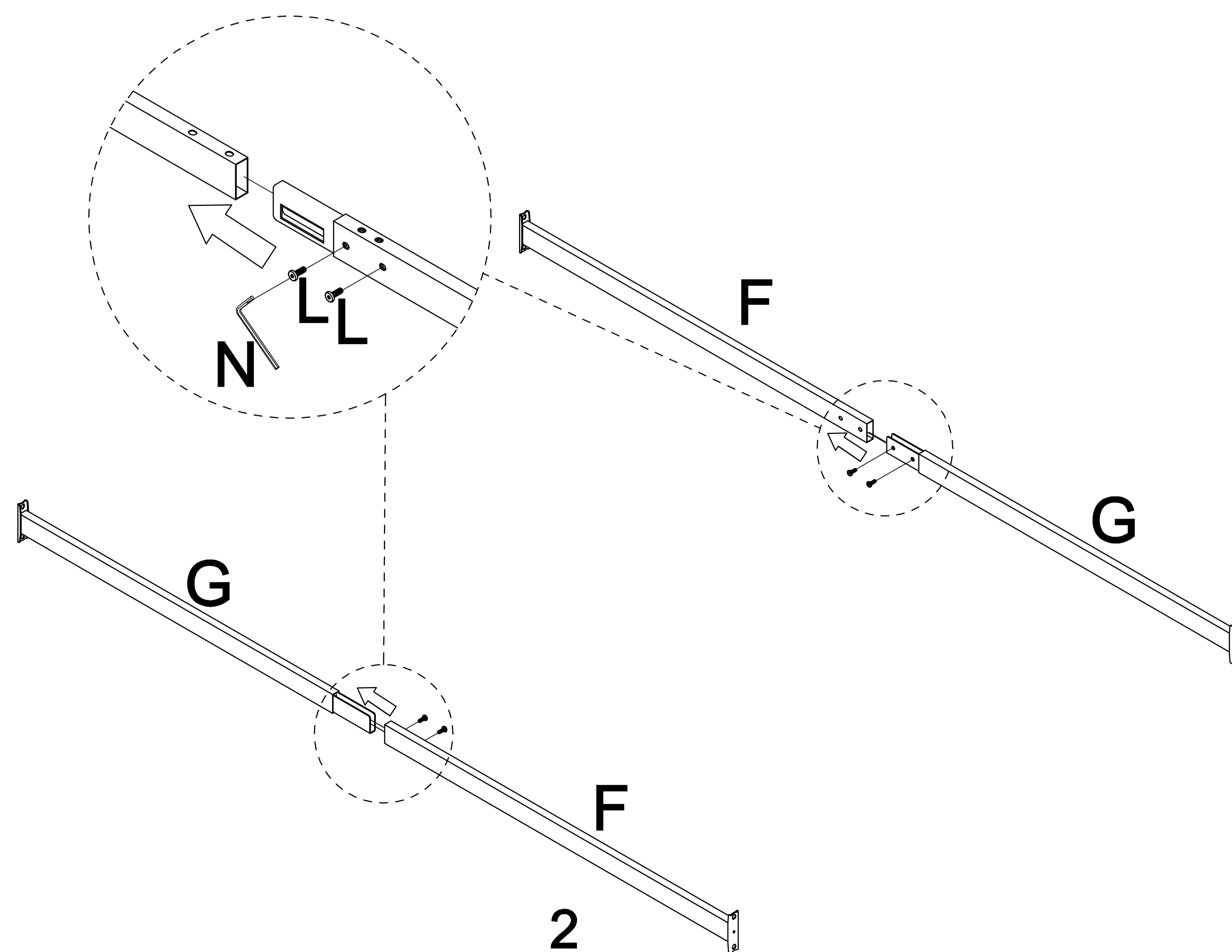
Align the Finial (J) to LSF Headboard Post (A), RSF Headboard Post (B), LSF Footboard Post (C), RSF Footboard Post (D), then tighten them.

**2**

Attach the Headboard / Footboard (E) to the Posts (A), (B), (C), and (D), insert the Bolt (L), turn the L-Allen Key (N) to tighten them.

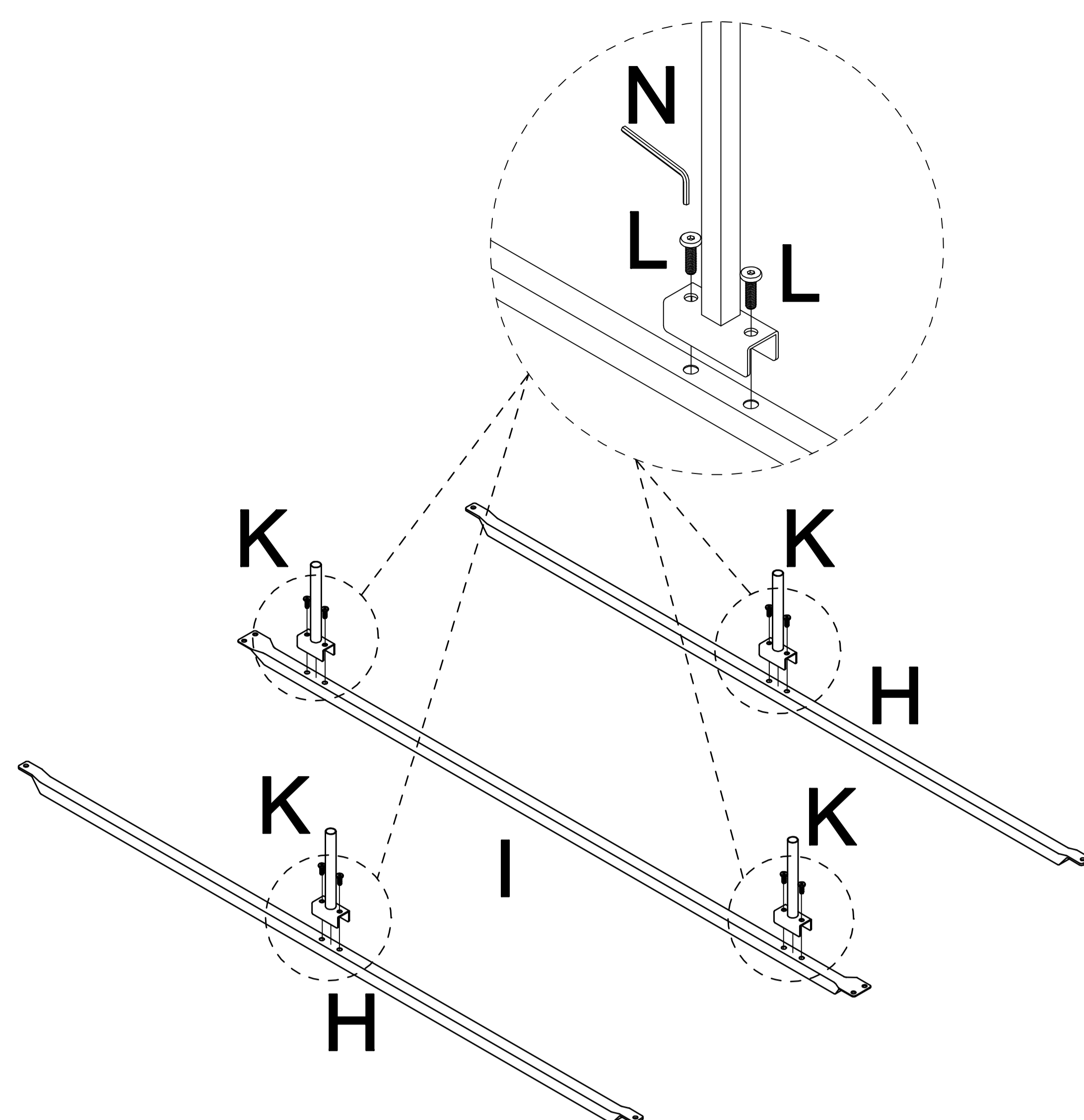
**3**

Insert the Rail Section (2) (G) into the Rail Section (1) (F), and then insert the Bolt (L), turn the L-Allen Key (N) to tighten them.

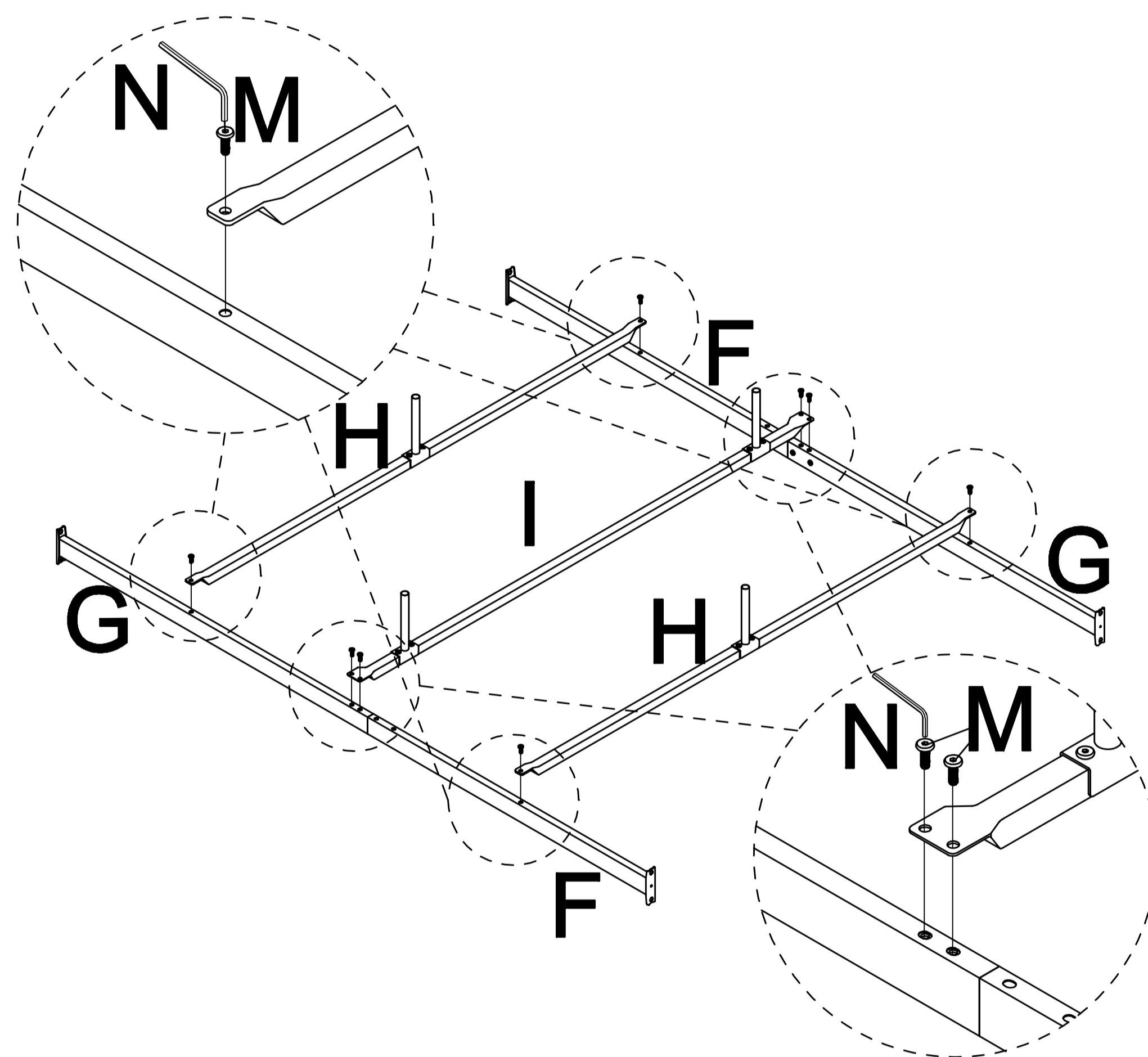


**4**

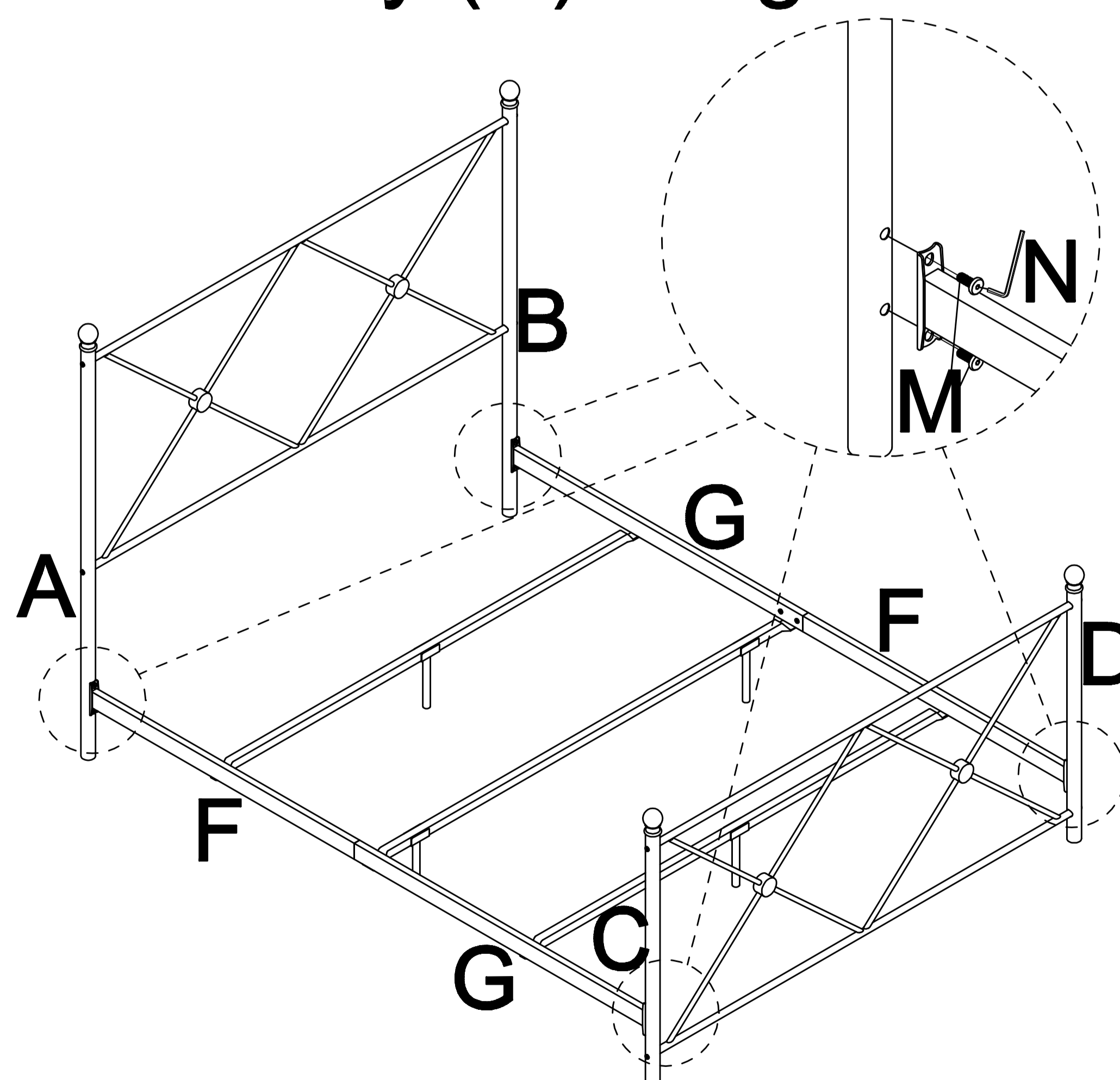
Attach the Support Leg (K) to the Front / Rear Support Bar (H) and Center Support Bar (I), insert the Bolt (L), turn the L-Allen Key (N) to tighten them.

**5**

Attach the Front / Rear Support Bar (H) and Center Support Bar (I) to the Rails (F) & (G), insert the Bolt (M), turn the L-Allen Key (N) to tighten them.

**6**

Attach the Rails (F) & (G) to the Posts (A), (B), (C), and (D), insert the Bolt (M), turn the L-Allen Key (N) to tighten them.



## Cleaning & Care

Treat surface with care. Surface is resistant to scratches but is not scratch resistant. Clean surfaces with a dry or damp soft cloth. Do not use abrasive cleaners. Hardware may loosen over time. Periodically check that all connections are tight.