

ASSEMBLY INSTRUCTIONS

A1



x1

A2



x1

B



x1

C



x1

D



x1

1/4

E



x6

1/4*35

F



x6

1/4

G



x6

1/4

H

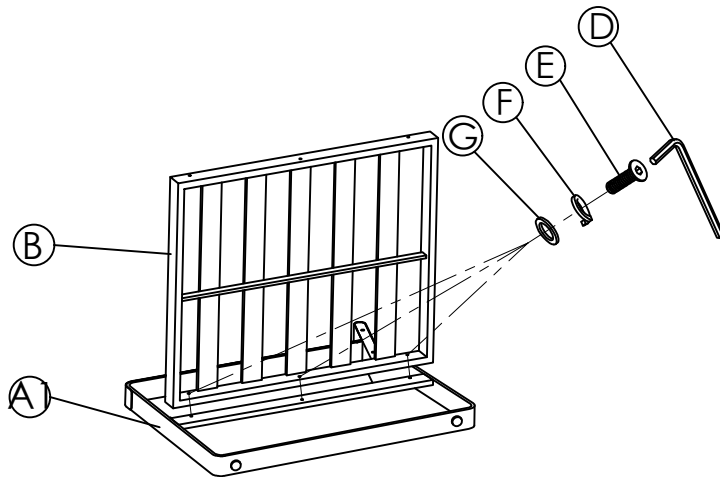


x4

1/4*70



Lock the screws into 3/4 parts according to the instructions, after levelling the product, tighten all the screws at the end



①

②

③

④

