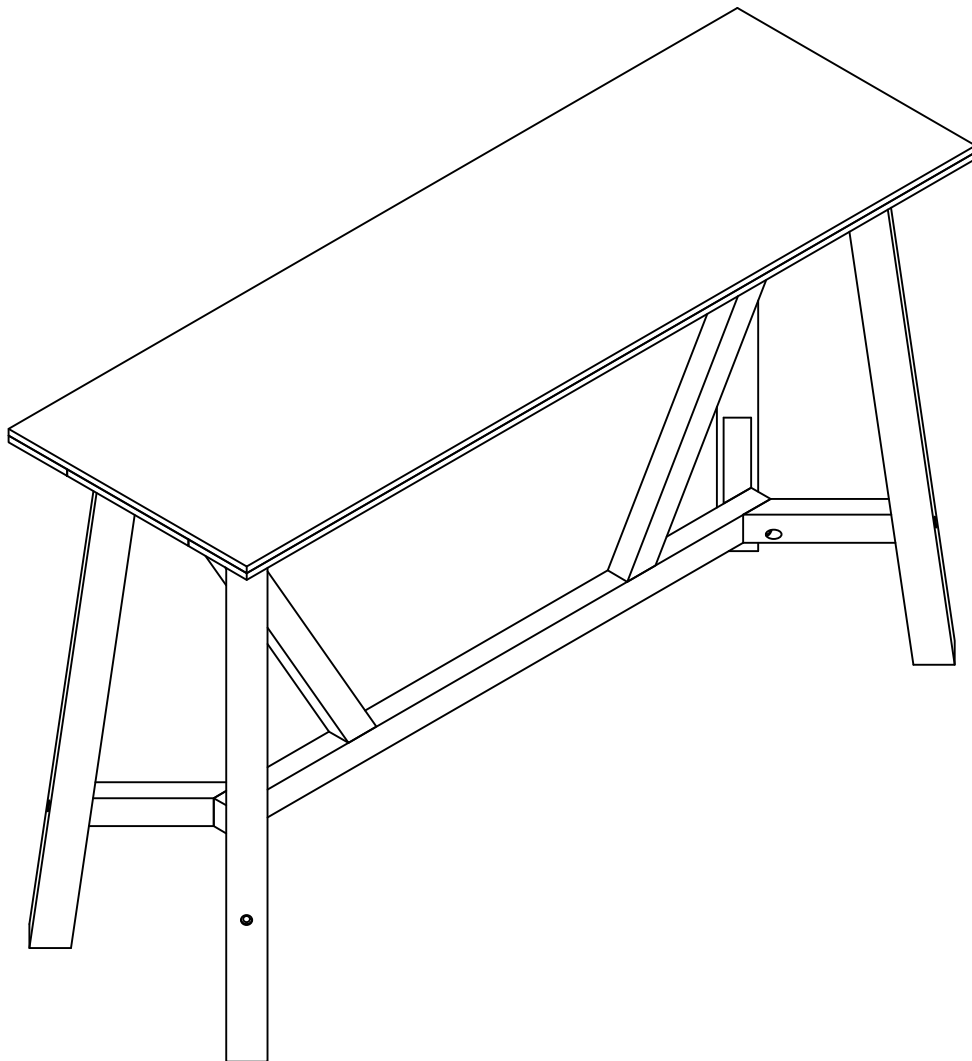


ASSEMBLY INSTRUCTIONS

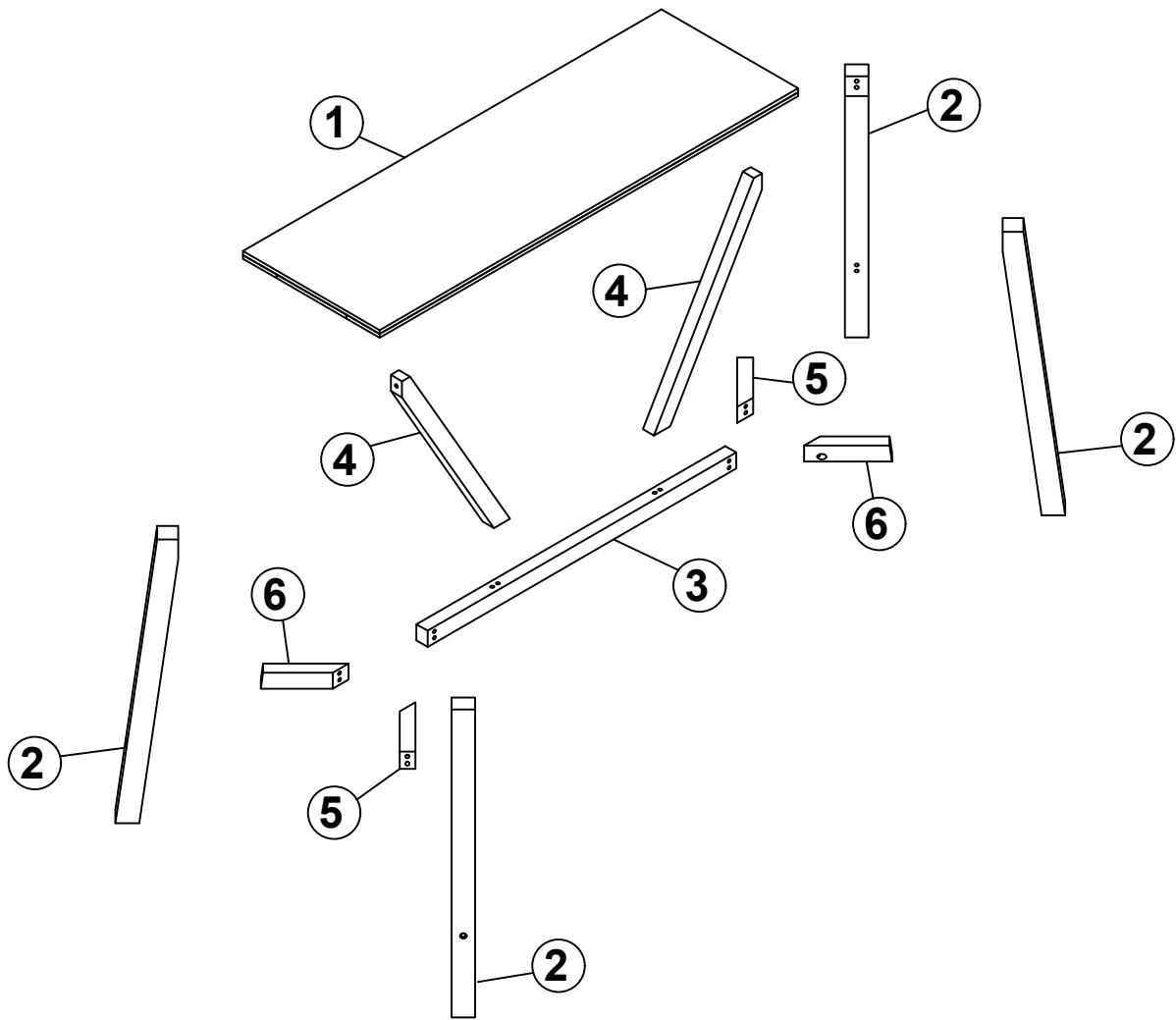
1+4 Bar Table Set



IMPORTANT NOTE :

- 1 PLACE ALL PARTS ON A CLEAN AND SMOOTH SURFACE SUCH AS A RUG OR CARPET TO AVOID THE PARTS FROM BEING SCRATCHED.**
- 2 BEFORE YOU BEGIN , KINDLY FOLLOW THE ASSEMBLY INSTRUCTIONS STEP BY STEP.**
- 3 DO NOT TIGHTEN ALL SCREWS AND BOLTS UNTIL THE TABLE IS FULLY SET-UP**

ASSEMBLY INSTRUCTIONS



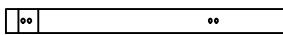
PART LIST

①



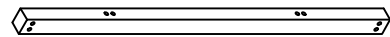
TOP TABLE (1pc)

②



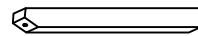
LEGS TABLE (4pcs)

③



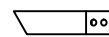
STRETCHER (1pc)

④



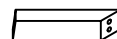
STRETCHER (2pcs)

⑤



STRETCHER (2pcs)

⑥



STRETCHER (2pcs)

ASSEMBLY INSTRUCTIONS

HARDWARE LIST

B



Ø3.5" x 15mm
SCREW (2pcs)

G



Ø5/16" x 13mm
SPRING WASHER (8pcs)

C



Ø5/16" x 80mm
BOLT (4pcs)

H



Ø5/16" x 19mm
FLAT WASHER (8pcs)

D



Ø5/16" x 70mm
BOLT (2pcs)

I



Ø10" x 30mm
WOODEN PEGS (10pcs)

E



Ø5/16" x 45mm
BOLT (8pcs)

J



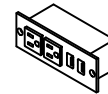
4 x 58mm
ALLENKEY (1pc)

F

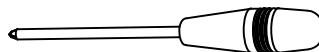


Ø5/16" x 35mm
BOLT (6pcs)

L



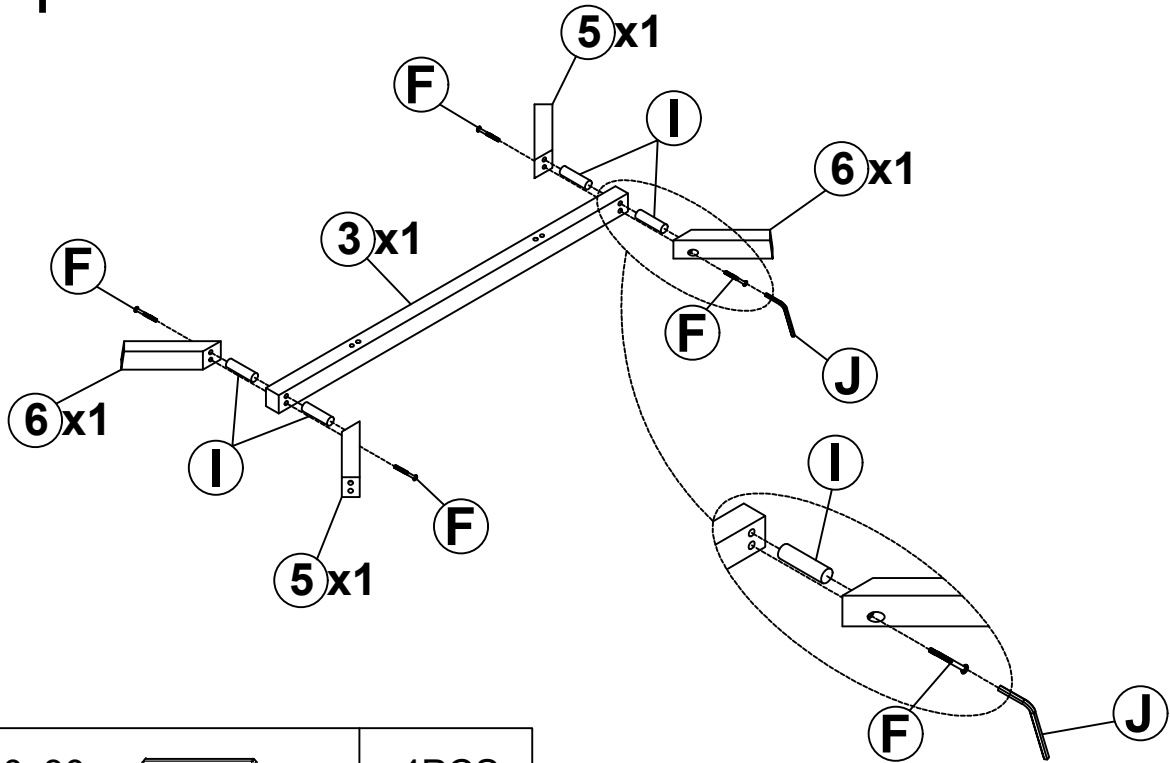
SOCKET (1pc)






ASSEMBLY TOOLS REQUIRED (NOT INCLUDED)

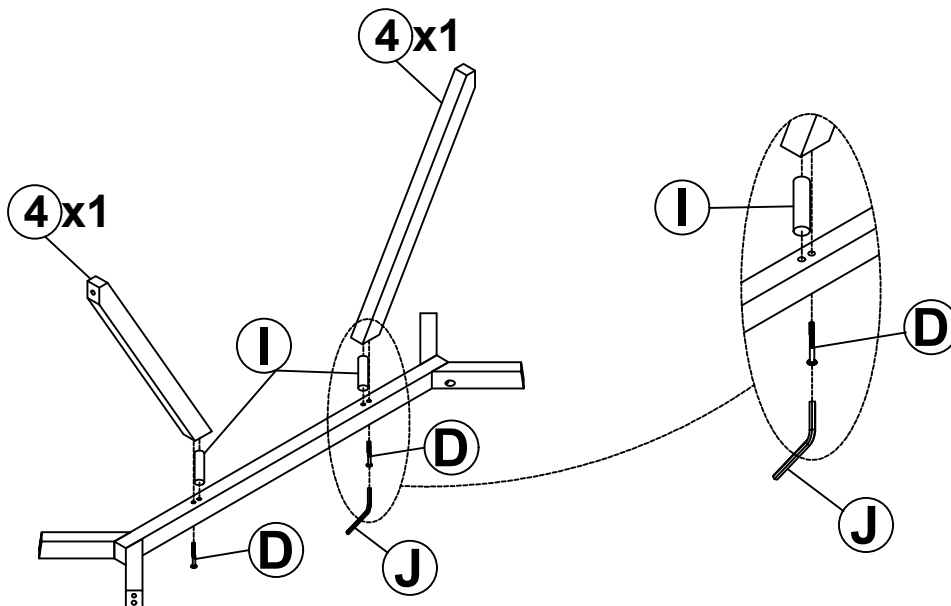
ASSEMBLY INSTRUCTIONS




Step 1



I	Ø10x30		4PCS				
F	5/16x35		4PCS	J	4x58		1PC

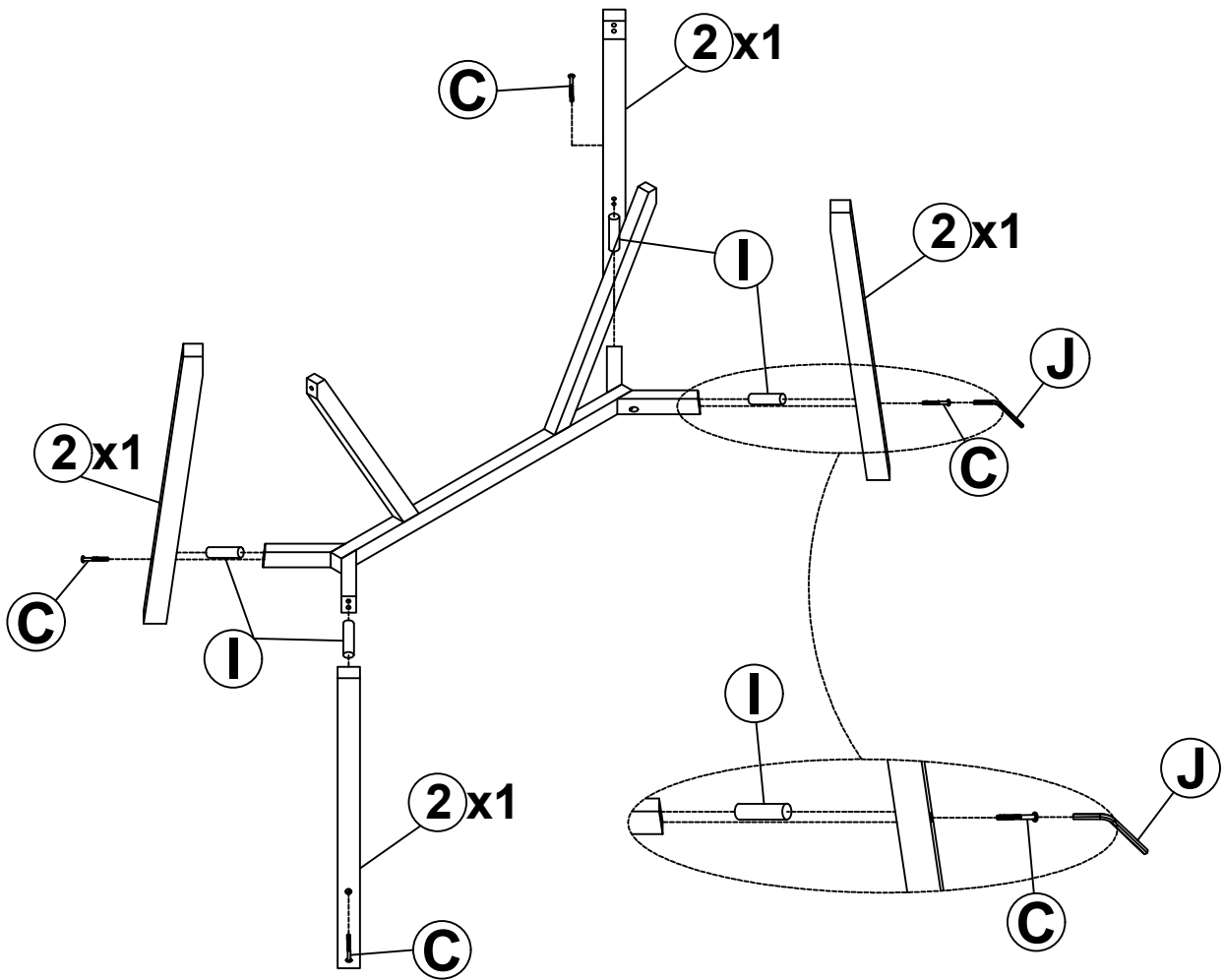
Step 2



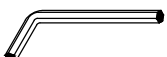


D	5/16x70		2PCS				
I	Ø10x30		2PCS	J	4x58		1PC

ASSEMBLY INSTRUCTIONS

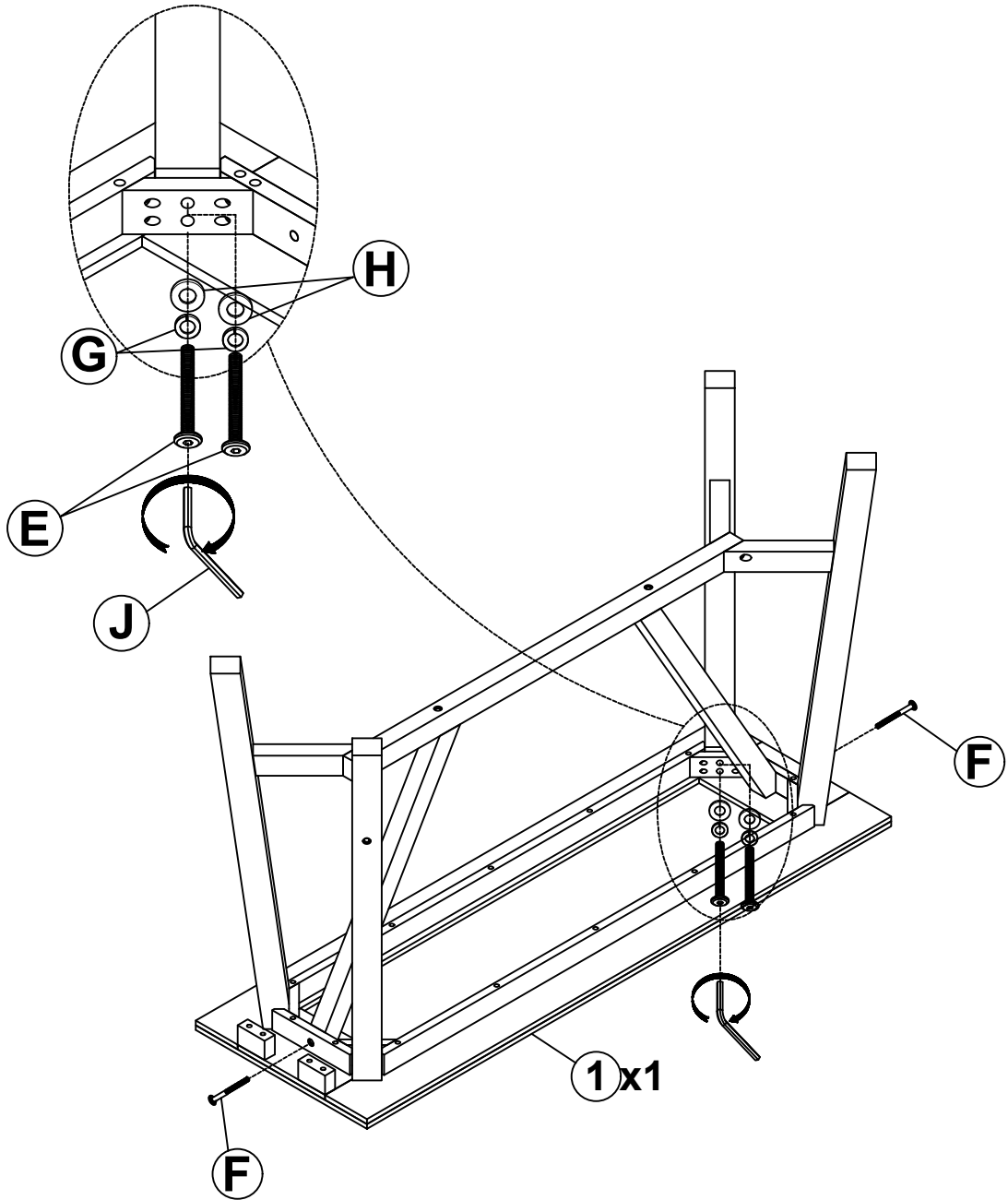
Step 3








C	5/16x80		4PCS				
I	Ø10x30		4PCS	J	4x58		1PC

ASSEMBLY INSTRUCTIONS

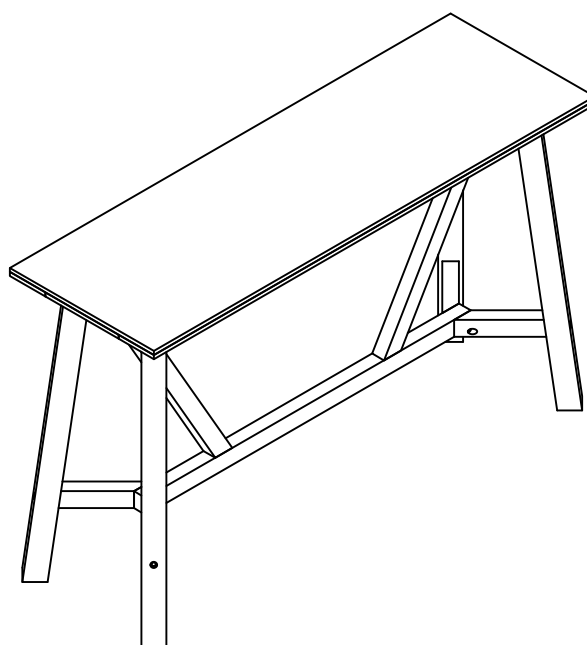
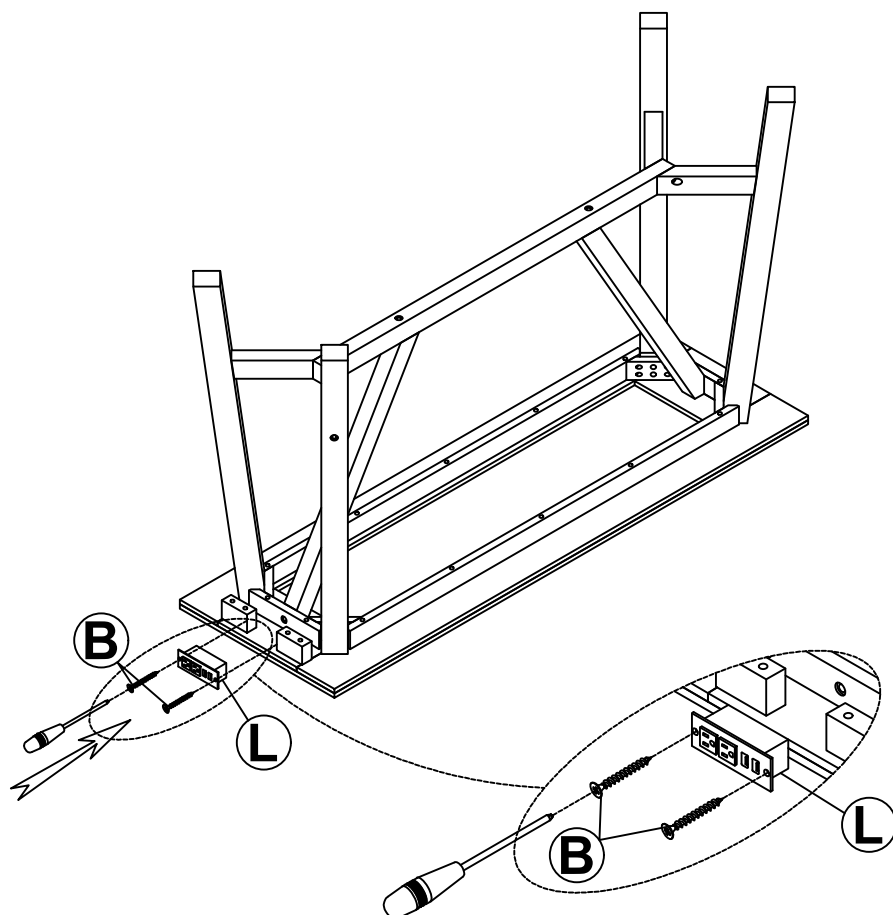
Step 4



				G	5/16x13		8PCS
E	5/16x45		8PCS	H	5/16x19		8PCS
F	5/16x35		2PCS	J	4x58		1PC

ASSEMBLY INSTRUCTIONS

Step 5



Please note: Make sure to lock all screws.

L



1PC

B

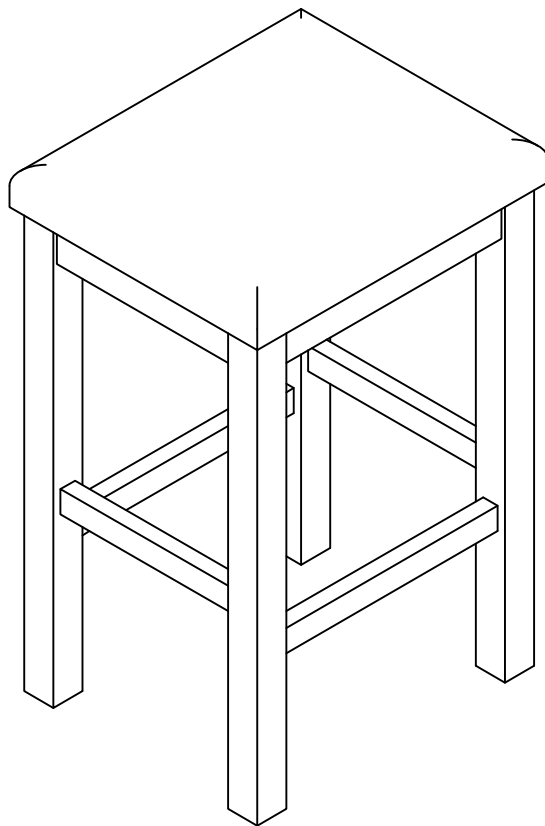
Ø3.5x15



2PCS

ASSEMBLY INSTRUCTIONS

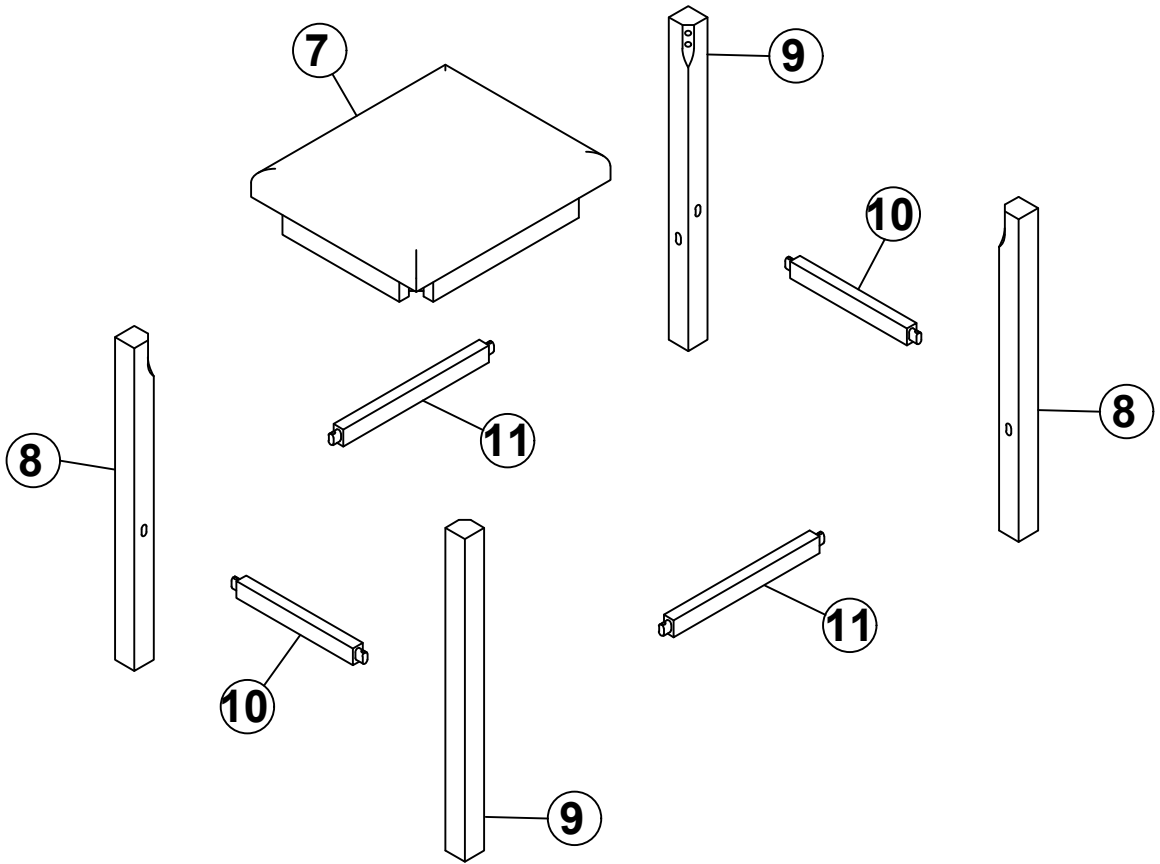
1+4 Bar Table Set



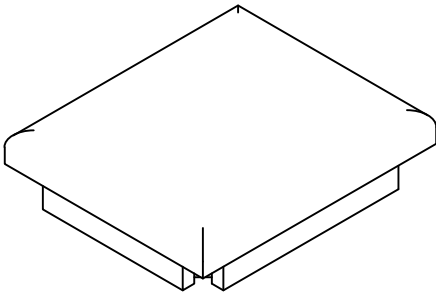
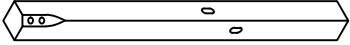
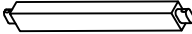
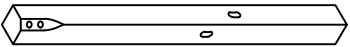
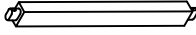
IMPORTANT NOTE :

- 1 PLACE ALL PARTS ON A CLEAN AND SMOOTH SURFACE SUCH AS A RUG OR CARPET TO AVOID THE PARTS FROM BEING SCRATCHED.**
- 2 BEFORE YOU BEGIN , KINDLY FOLLOW THE ASSEMBLY INSTRUCTIONS STEP BY STEP.**
- 3 DO NOT TIGHTEN ALL SCREWS AND BOLTS UNTIL THE STOOL IS FULLY SET-UP**

ASSEMBLY INSTRUCTIONS








Part List For One Stool

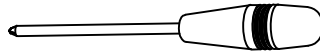
<p>⑦</p>  <p>SEAT FRAME (1pc)</p>	<p>⑨</p>  <p>LEGS STOOL (2pcs)</p>
	<p>⑩</p>  <p>STRETCHER (2pcs)</p>
<p>⑧</p>  <p>LEGS STOOL (2pcs)</p>	<p>⑪</p>  <p>STRETCHER (2pcs)</p>

ASSEMBLY INSTRUCTIONS

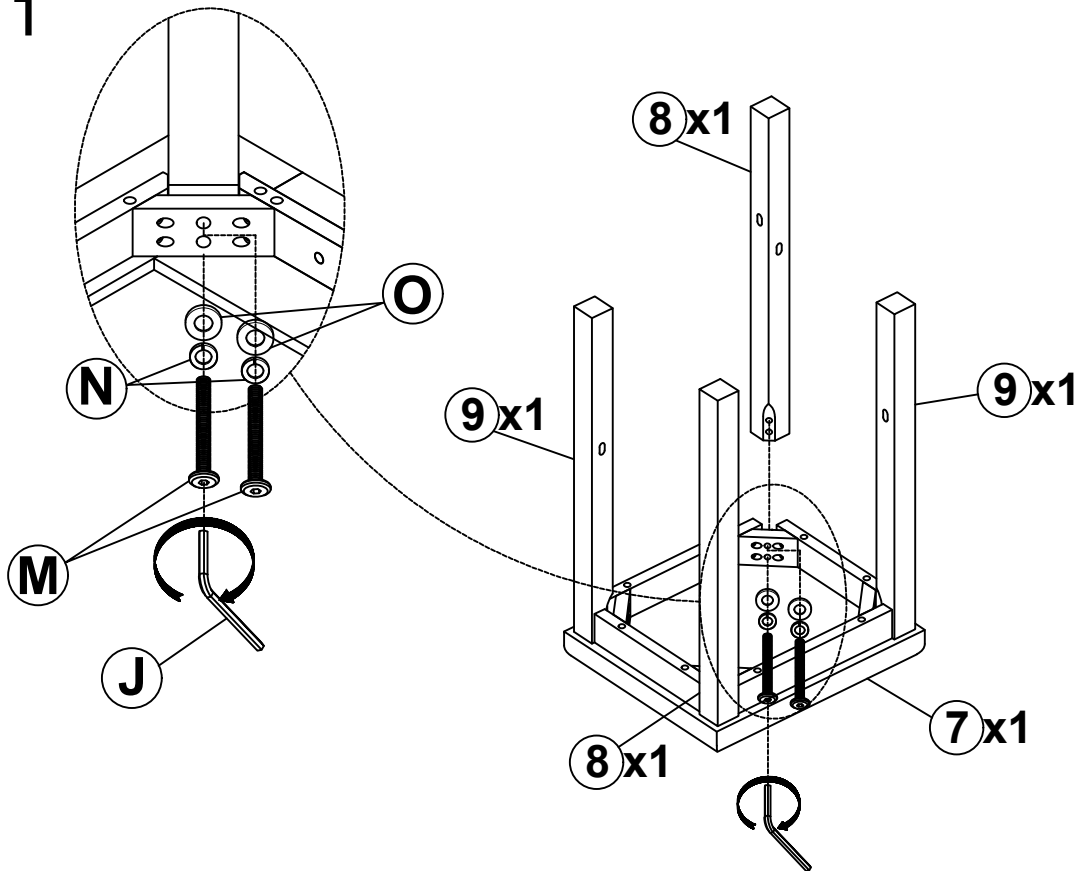
Hardware List For One Stool


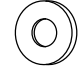


A  Ø4" x 38mm	O 
SCREW (8pcs)	
M  Ø1/4" x 55mm	Ø1/4" x 19mm FLAT WASHER (8pcs)
BOLT (8pcs)	
N  Ø1/4" x 13mm	J  4mm
SPRING WASHER (8pcs)	ALLENKEY (1pc)

ASSEMBLY TOOLS REQUIRED (NOT INCLUDED)



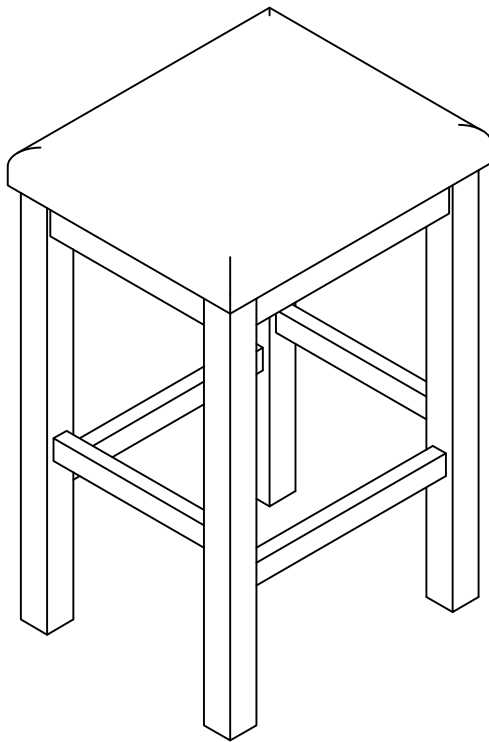
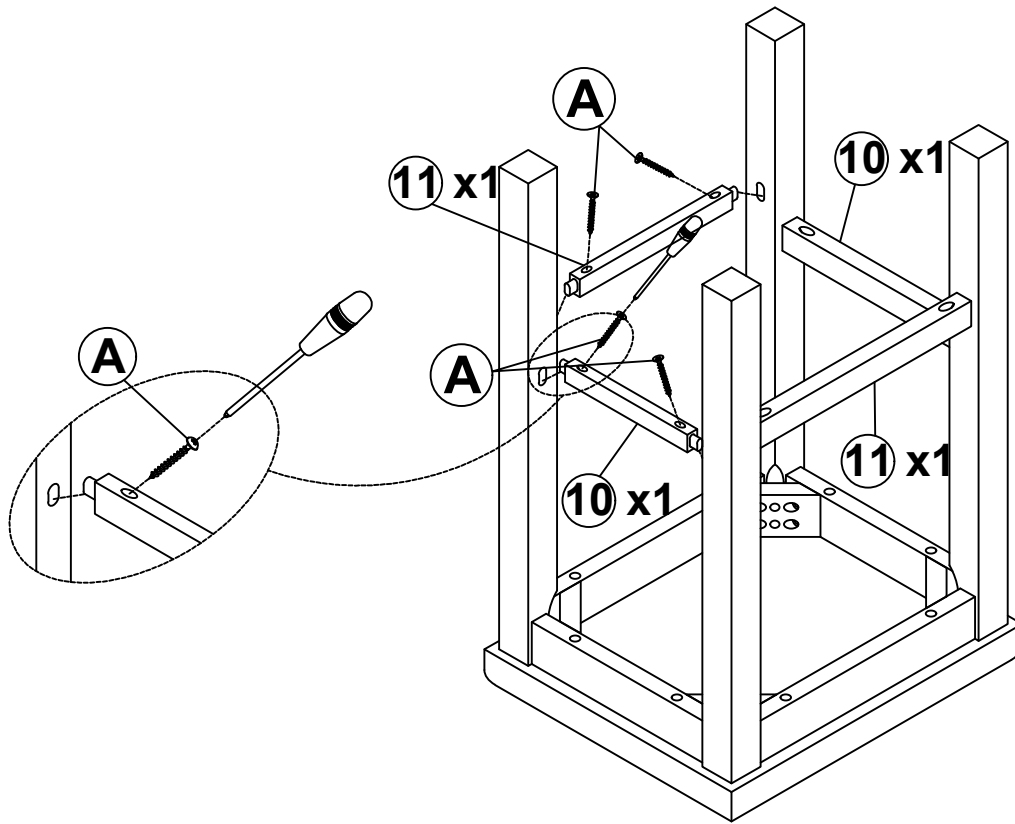
Step 1



M	1/4"x55		8PCS	O	1/4"x19		8PCS
N	1/4"x13		8PCS	J	4x58		1PC

ASSEMBLY INSTRUCTIONS

Step 2



Please note: Make sure to lock all screws.

A

Ø4x38



8PCS