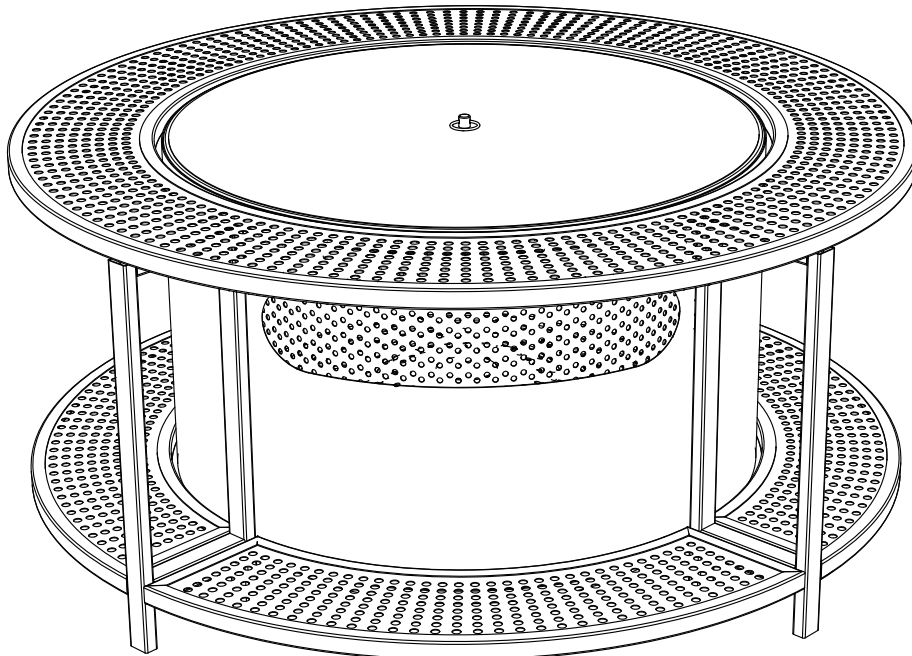


25Inch Smokeless Stove

If you have any questions about the smokeless stove, please feel free to contact us.

Customer Service Email: Service@alaulm.com



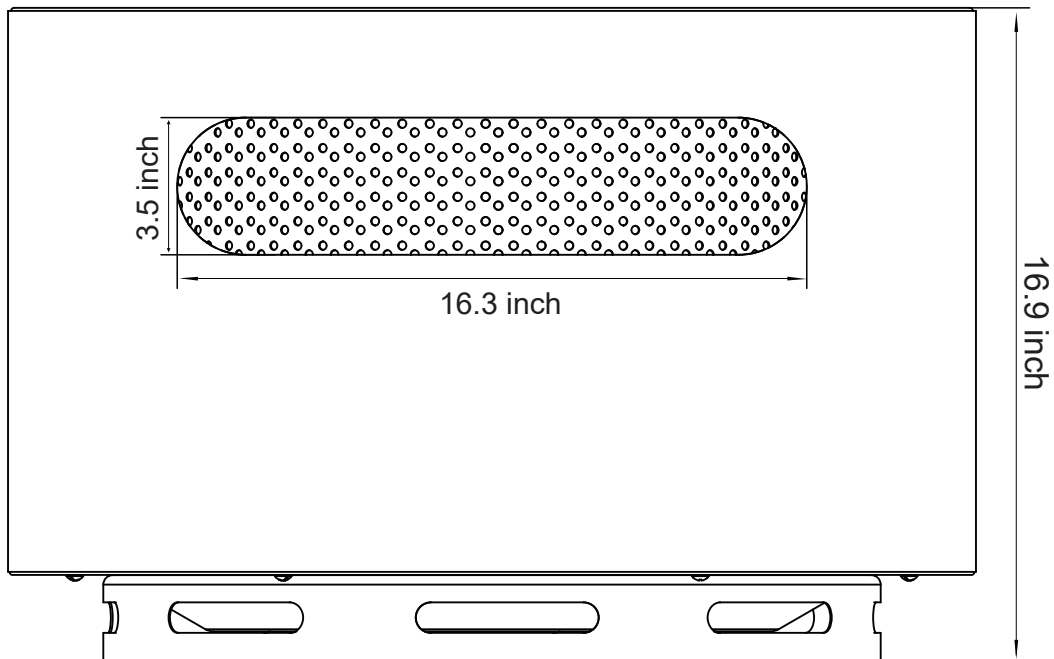
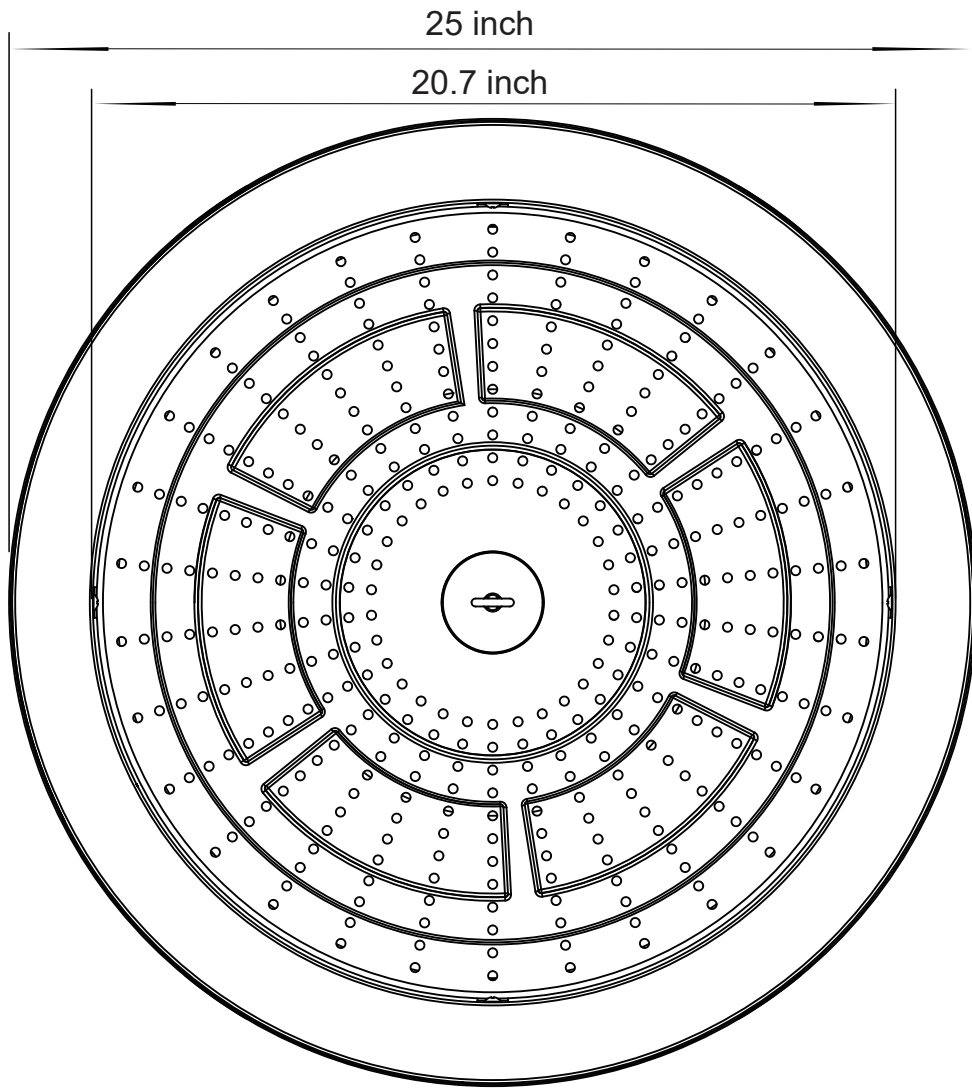
24-P023

IMPORTANT

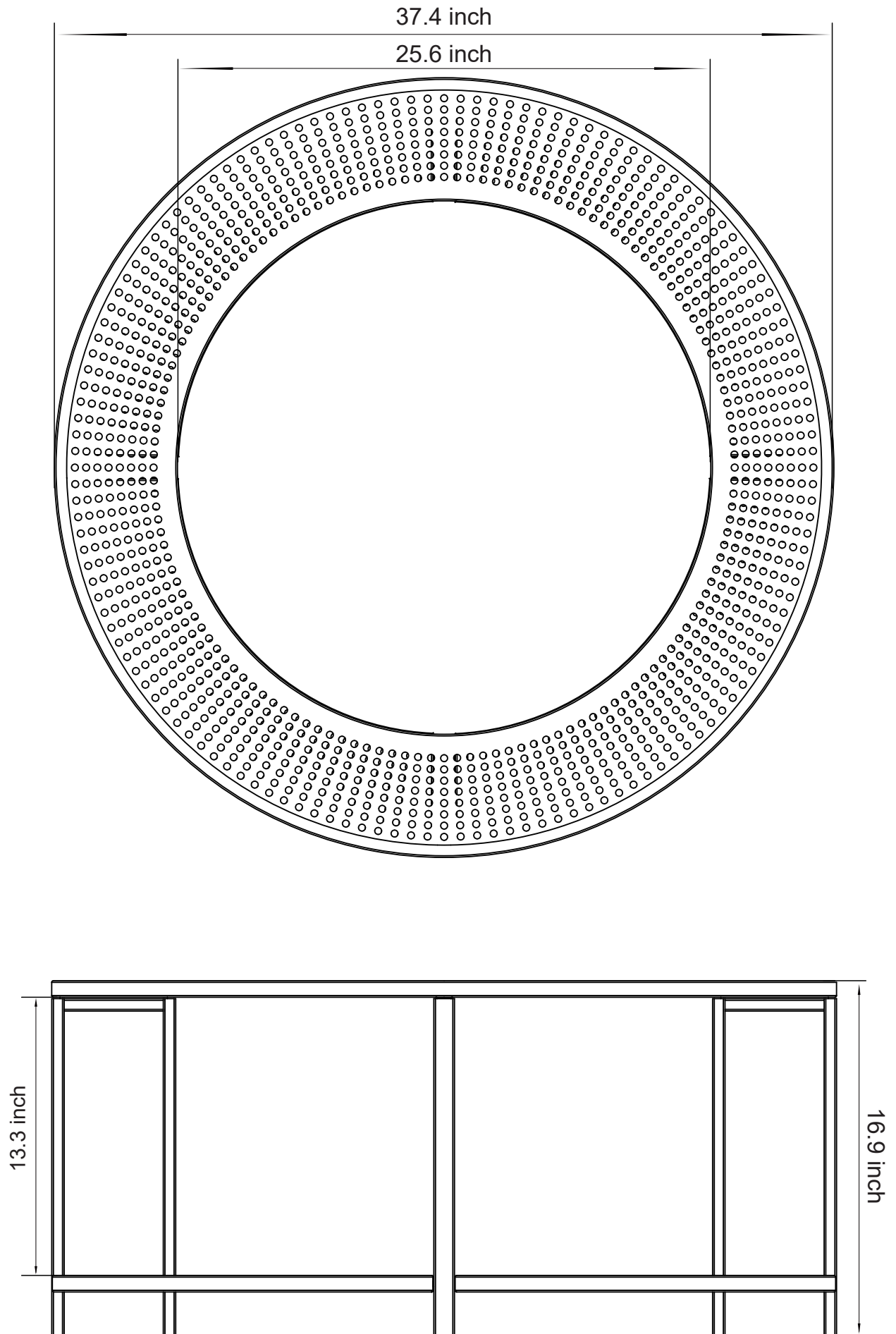
PLEASE READ BEFORE YOU COMMENCE ASSEMBLY

Follow the guidelines in this user guide to ensure correct assembly and care for this product.

SPECIFICATIONS



SPECIFICATIONS



Catalog

Specifications.....	01
Catalog.....	03
Important Caution	04
Safety Instructions	04
Warning	05
Storage And Care	06
Part List	07
Screw Set List And Extra	08
How to Use The Smokeless Stove	09

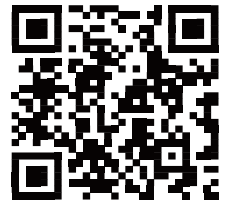
IMPORTANT CAUTION

Please verify all parts and components present and check for any damaged pieces before assembly. If you have any damaged or missing parts, please contact customer service at Service@alaulm.com

• Some parts may contain sharp edges and may cause injury or property damage. We recommend you wear protective gloves during assembly.



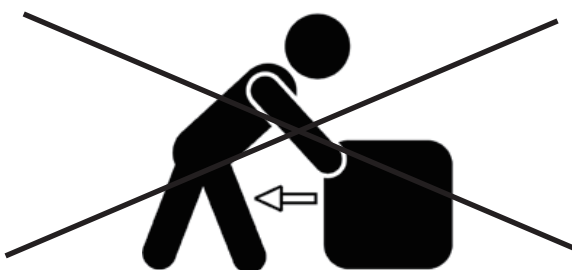
Contact US:
Service@alaulm.com
www.alaulm.com



SAFETY INSTRUCTIONS

PLEASE READ ALL SAFETY RULES BEFORE ASSEMBLY AND USAGE. FAILURE TO FOLLOW THESE INSTRUCTIONS MAY RESULT IN A FIRE, PROPERTY DAMAGE, OR PHYSICAL INJURY.

- CAUTION: THIS PRODUCT IS FOR OUTDOOR USE ONLY. DO NOT USE THE STOVE INDOORS.
- CAUTION: All surfaces of this fire pit are extremely hot during and after the fire has been put out. To avoid any burns or injuries, do not touch this stove under any circumstances until the fire is completely out and the surfaces have fully cooled down.
- FOR ADULT USE ONLY.
- DO NOT DRAG THE STOVE. IT MAY COST DAMAGE TO THE BOTTOM.





WARNING

- DO NOT allow children to operate this fire pit. Keep children and pets away from the stove when it is in use.
- DO NOT use this product under a covered porch, patio roof, low hanging branches, trellis, or overhands of any kind.
- DO NOT use this product in extreme weather or thunderstorm conditions.
- DO NOT leave a burning fire pit unattended at any time.
- DO NOT wear any flammable or loose clothing when using this stove, especially when igniting a fire.
- DO NOT modify or tamper with this appliance. Tampering with the fire pit is dangerous and not permitted.
- DO NOT use this product on wooden floors, carpets or flammable surfaces.
- DO NOT move the fire pit once the fire is started.
- DO NOT use this product on deck.
- Always place the fire pit on a hard, flat, non-flammable surface.
- Always use this product in accordance with all local and state fire codes.
- Practice the same safety precautions you would as with any open fire.
- Make sure the fire is completely extinguished before leaving the fire pit after use.
- Make sure all flammable materials or items are at least 6 feet away from the fire pit.
- Ensure the fire pit is placed in an area that is visible and will not be a trip hazard to anyone.



STORAGE AND CARE

- When the stove is not in use, store it in a dry place .
- If the stove becomes yellow or stained, clean the stove with a mild stainless steel detergent and gently wipe it with a sponge.

THINGS TO PREPARE BEFORE YOUR BONFIRE

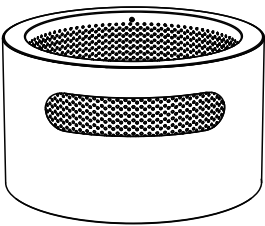
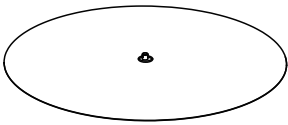
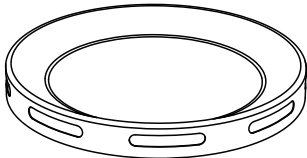
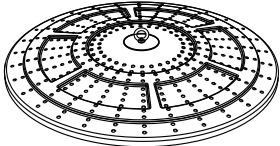


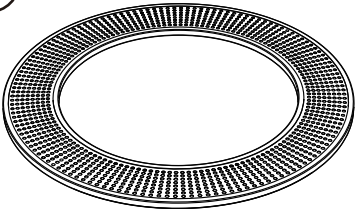

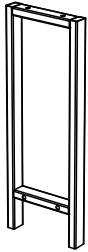

1. Ignition source: Find a fire source. A lighter or match typically works well.
2. Firelighters: Collect firelighters, such as fatwood sticks or fire pit starters. Alternative items you can use are dried plants, grass wax, dried leaves, twigs, or other fuels that help maintain your bonfire.
3. Fuel source: Dry wood at least 1” to 5” in diameter work best

HOW TO LIGHT A FIRE

1. Form a small hill of sticks, branches, or other dry kindlings at the center of your burning plate. Place them as close together as possible to maximize fuel strength. Light the small hill of dried twigs or other fuel burners and wait for the flame to ignite.
2. Once the fire starts, add bigger sticks. As a safety precaution, do not add any other combustible except wood. Do not use wood pellets, because these may produce a toxic gas or block the air holes.
3. Add wood blocks at least 1” to 5” in diameter to create a solid thermal chamber.
4. Fill the stove with fuel. The maximum height should not exceed the height of the air outlet on the inner wall.

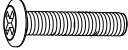
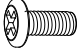
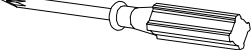
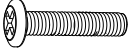
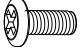
PART LIST

Parts List

<p>(A)</p>  <p>Smokeless Stove</p>	<p>(B)</p>  <p>Lid</p>	<p>(C)</p>  <p>Base</p>
<p>1 PC</p>	<p>1 PC</p>	<p>1 PC</p>
<p>(D)</p>  <p>Burner Plate</p>	<p>(E)</p>  <p>Fire Hook</p>	<p>(F)</p>  <p>Stove Cover</p>
<p>1 PC</p>	<p>1 PC</p>	<p>1 PC</p>
<p>(G)</p>  <p>Round Platform</p>	<p>(H)</p>  <p>Fan Platforms</p>	<p>(J)</p>  <p>Leg</p>
<p>1 PC</p>	<p>4 PCS</p>	<p>4 PCS</p>
<p>(K)</p>  <p>Platform Cover</p>		
<p>1 PC</p>		

PART LIST

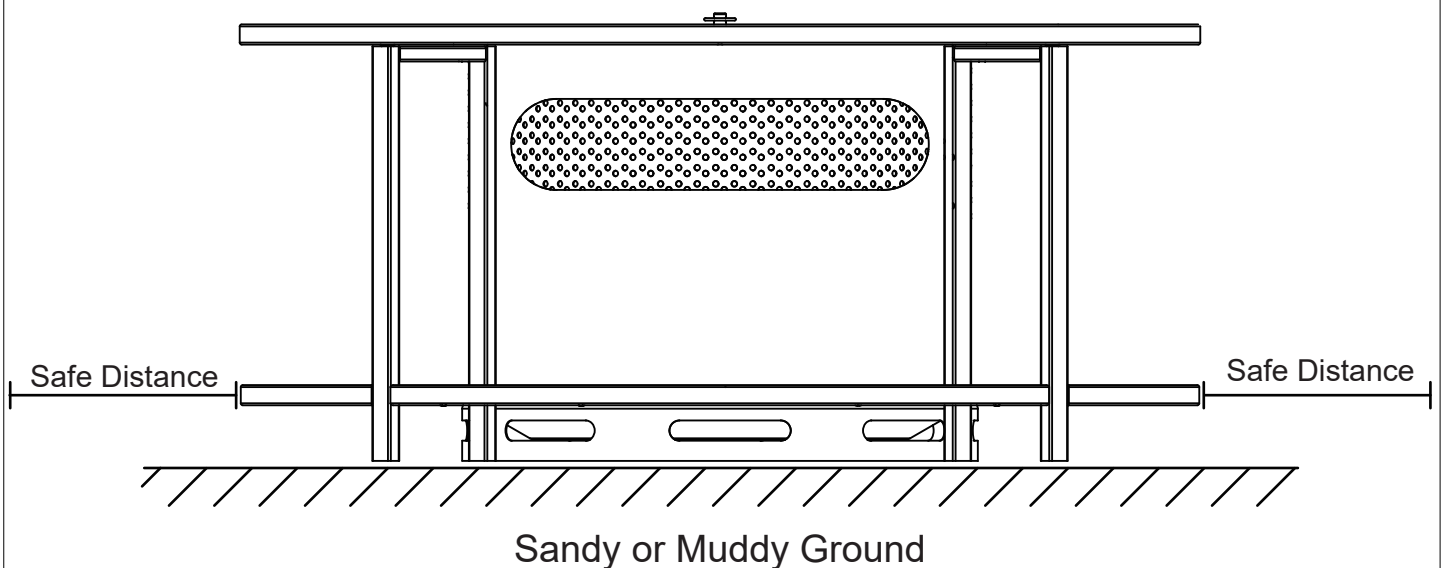
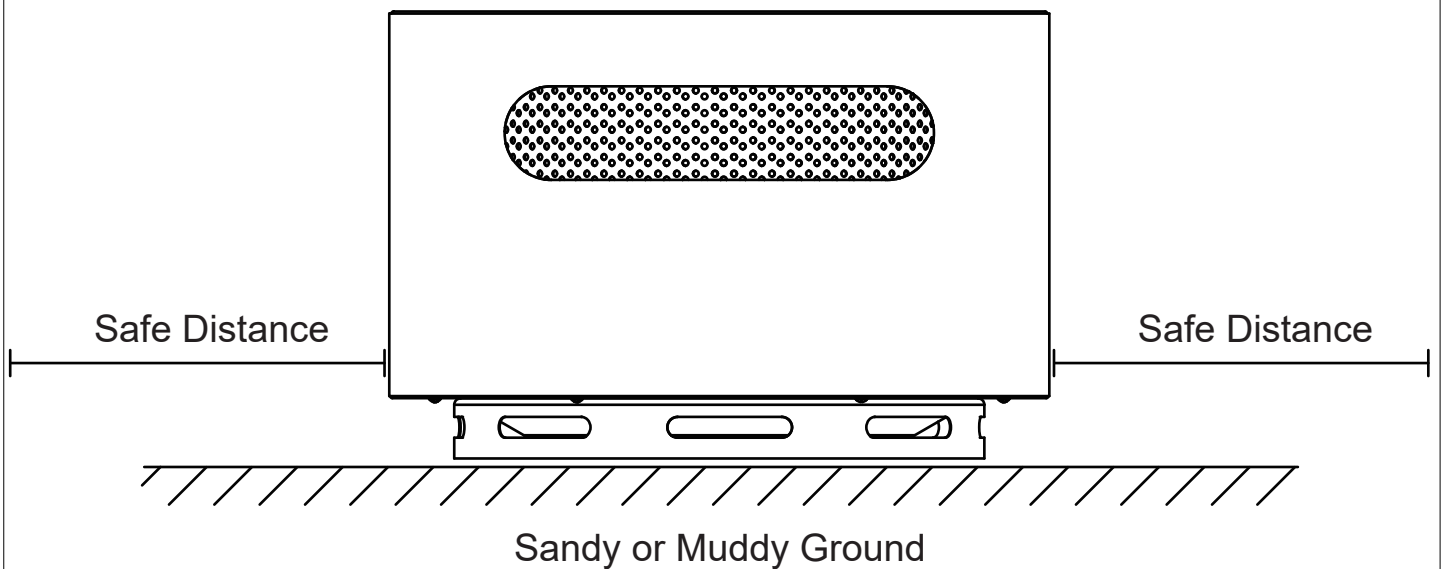
Screw Set List

	Screw Set List		
<p data-bbox="103 271 167 338">Ⓛ</p>  <p data-bbox="252 555 395 600">M6x25</p>	<p data-bbox="598 271 662 338">Ⓜ</p>  <p data-bbox="735 555 863 600">M4x10</p>	<p data-bbox="1045 271 1109 338">Ⓟ</p>  <p data-bbox="1038 555 1453 600">Phillips screwdrivers</p>	
<p data-bbox="256 663 384 707">8 PCS</p>	<p data-bbox="730 663 890 707">16 PCS</p>	<p data-bbox="1198 663 1294 707">1 PC</p>	
Extra (Screw Set)			
<p data-bbox="103 822 167 889">Ⓛ</p>  <p data-bbox="252 1155 395 1200">M6x25</p>	<p data-bbox="598 822 662 889">Ⓜ</p>  <p data-bbox="735 1155 863 1200">M4x10</p>		
<p data-bbox="272 1254 368 1299">1 PC</p>	<p data-bbox="740 1254 868 1299">2 PCS</p>		

How To Use The Smokeless Stove

NOTE: Place the stove on the ground. Make sure it is secured on a flat surface. Keep the stove away from any flammable materials when fire is ignited.

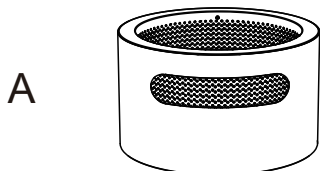
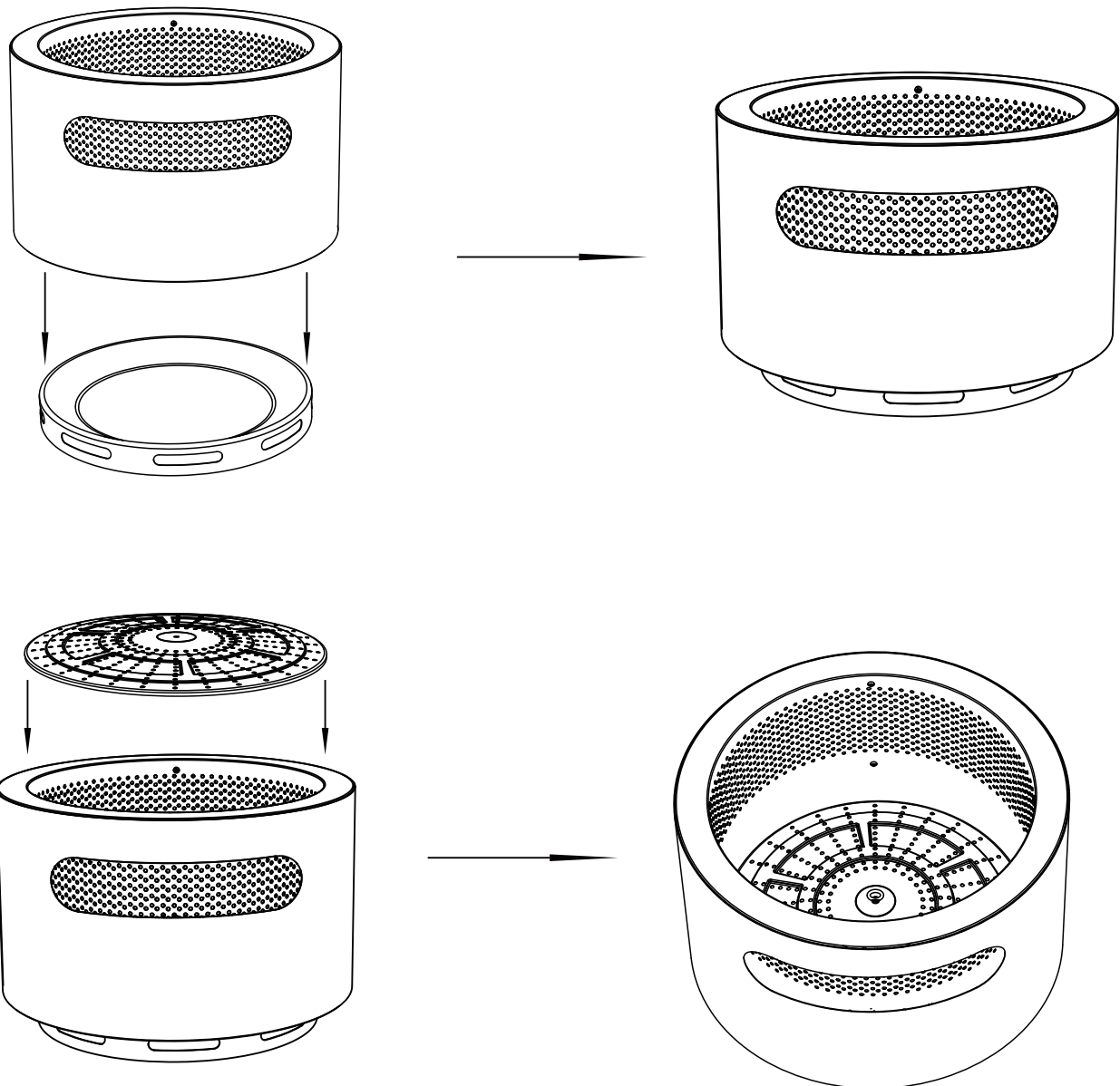
DO NOT use this product on wooden floors, carpets or flammable surfaces.



Installation steps

Step 1: Place the base (C) of the stove on the ground, then place the stove (A) on the base (C), making sure that the stove is placed in a balanced position without any tilting, and finally place the burner plate (D) inside the stove (A). Keep the stove away from any flammable materials when fire is ignited.

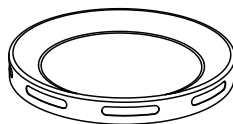
NOTE: DO NOT use this product on wooden floors, carpets or flammable surfaces.



A

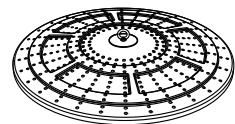
x1

C



x1

D

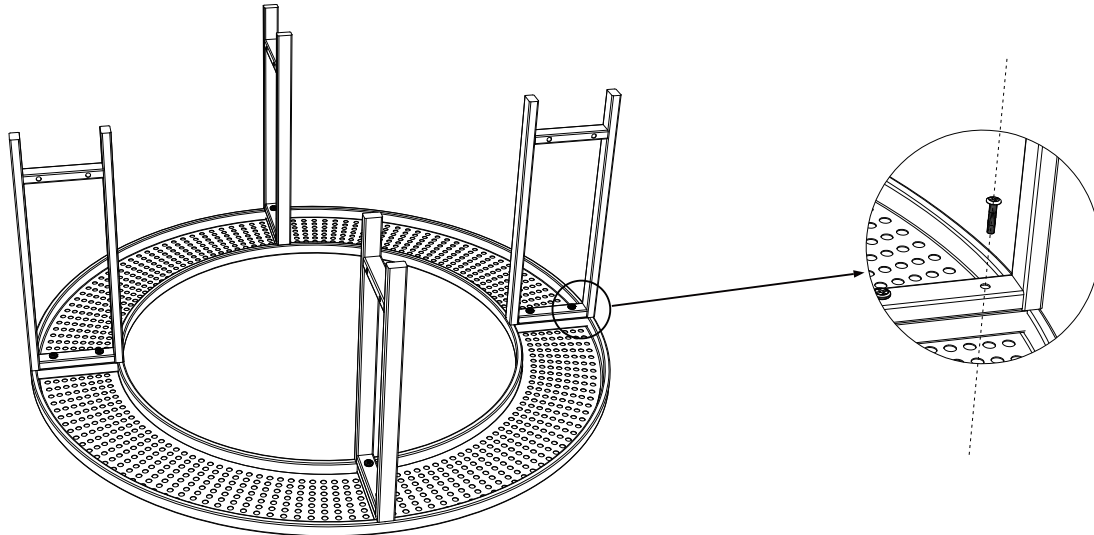


x1

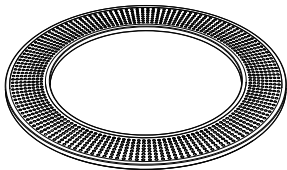
Installation steps

Step 2: Attach the platform legs(J) to the round platform(G) with screws (L).

Note: Do not lock the screws completely tight.

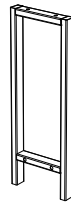


G



x1

J



x4

L

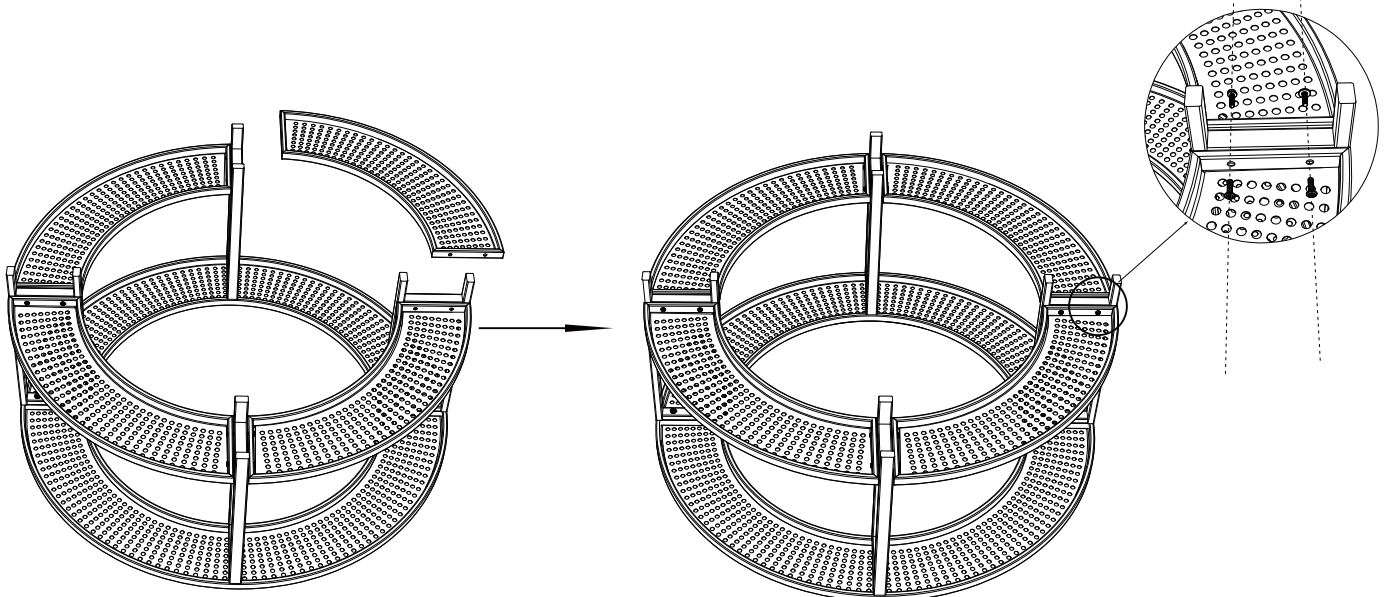


M6x25

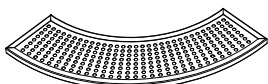
x8

Step 3: Attach the fan platform(H) to the leg(J) with screws(M).

Note: Please tighten all the screws.



H



x4

M



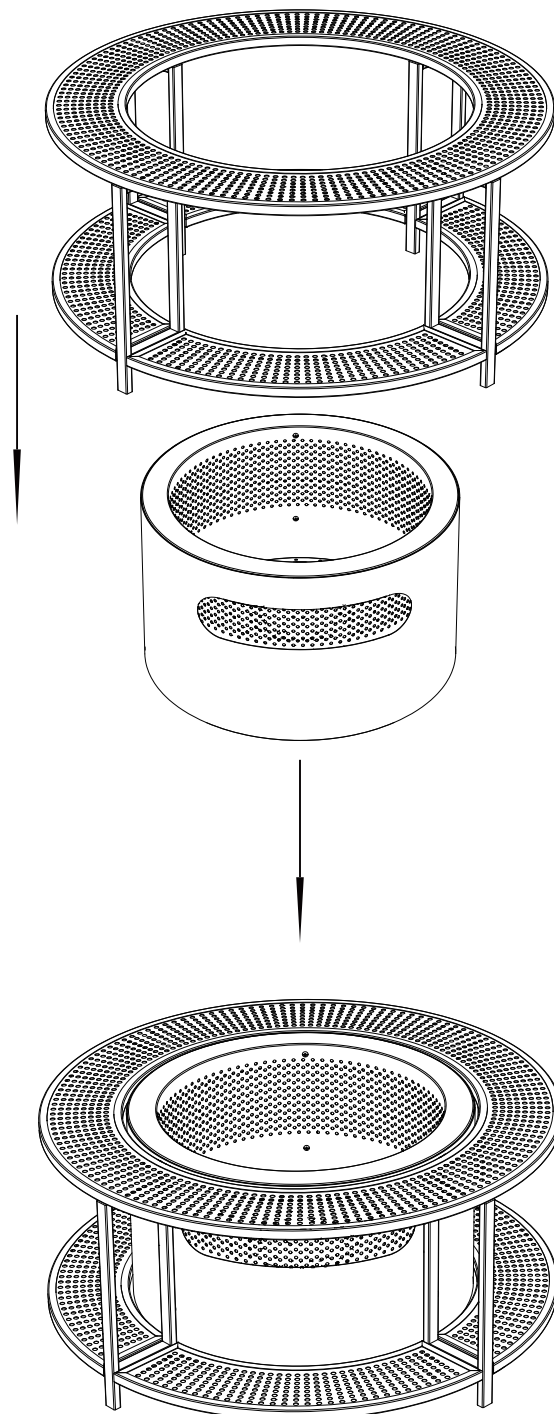
M4x10

x16

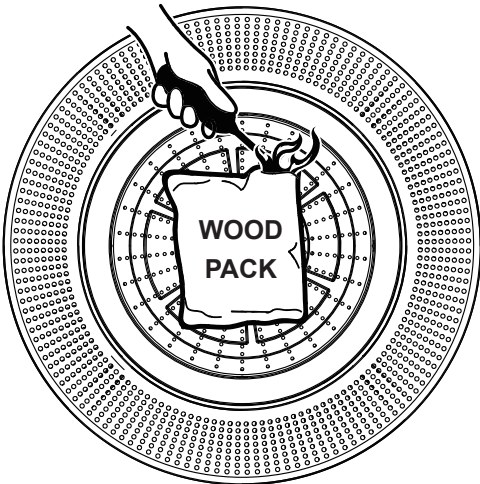
Installation steps

Step 4: Slip the platform into the furnace, paying attention to the spacing between the platform and the furnace to prevent the surface of the furnace from being scratched and losing paint. Keep it on a flat surface to prevent the platform and the top of the stove from being uneven.

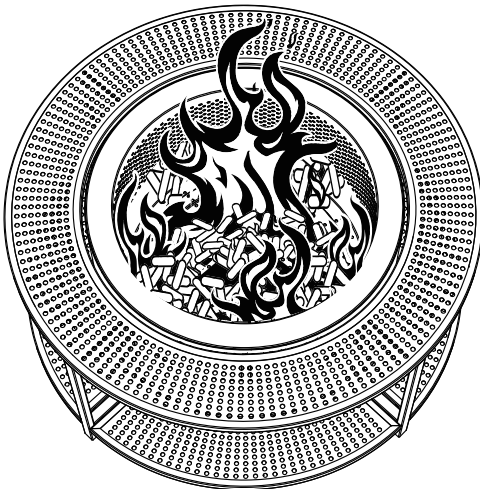
NOTE: Place it on a flat surface so that the platform and top of the stove are level.



Step 5: Starting a fire using the Wood Pack.



Light: Place Wood Pack onto the cone and light each corner.



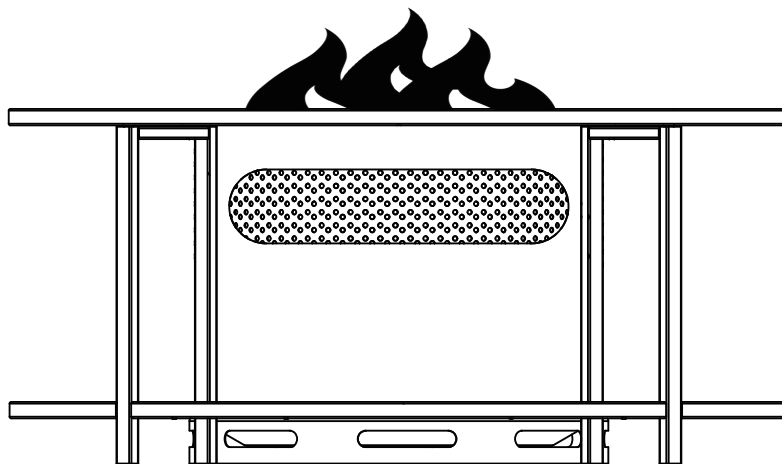
Burn: As the bag burns the wood pellets will spill out. No need to stir. Fire will fill the Fire Pit within 5 minutes.



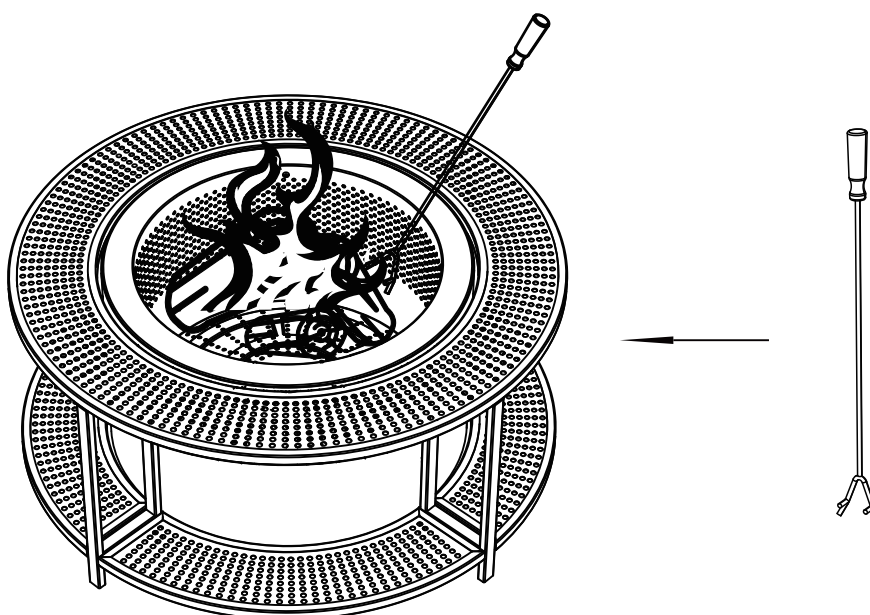
Repeat: After approximately 30 minutes or as flames die down, add another Wood Pack or firewood.

Installation steps

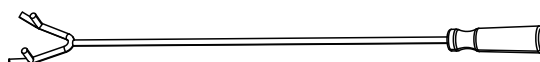
Step 6: Enjoy your bonfire and stay warm!



Step 7: Use the fire hook(E) to adjust the wood in the stove when in use. This can also be used to clean the burner pan kit after it has cooled.



E



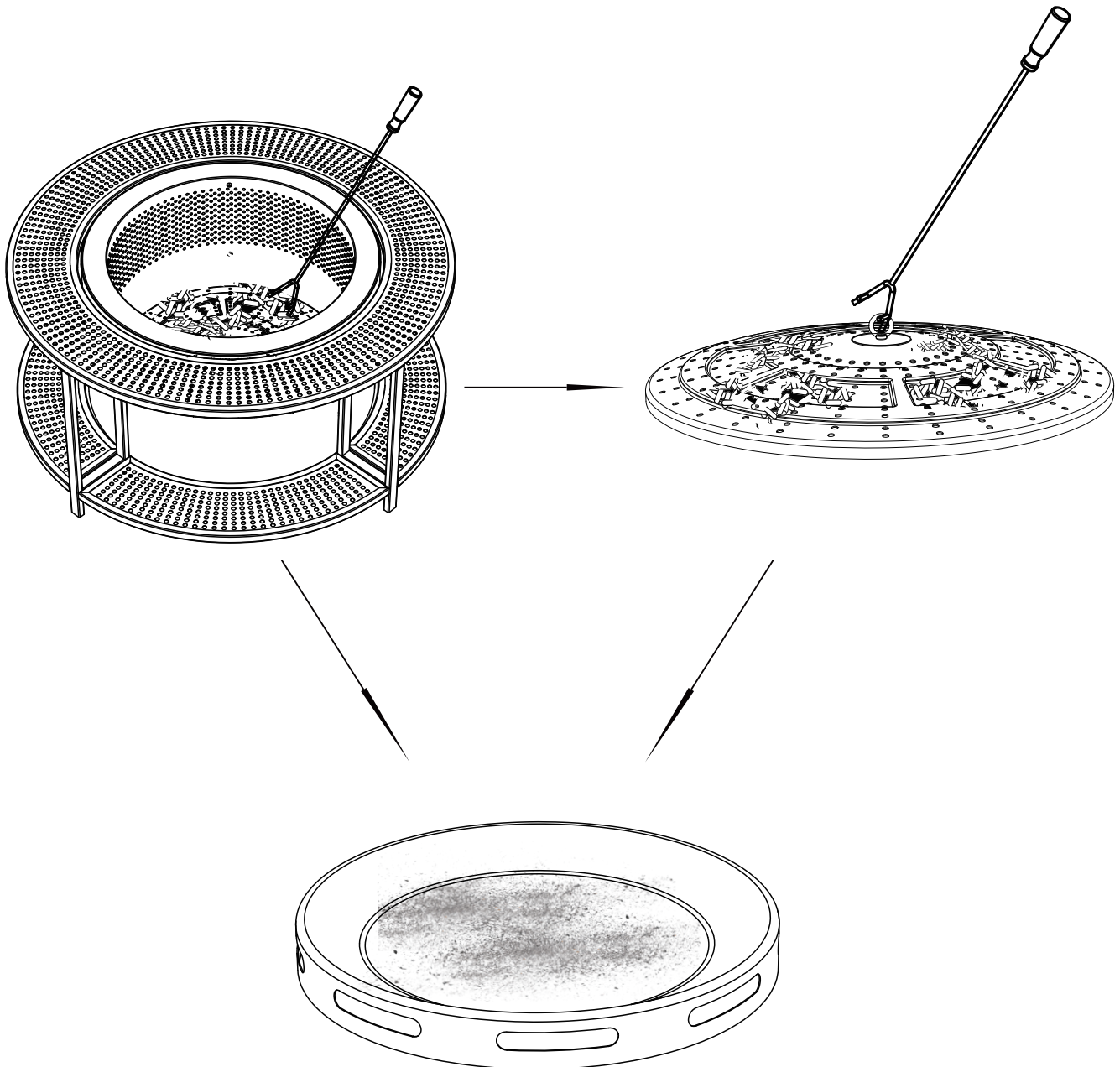
x1

Installation steps

Step 8: When the furnace is finished being used, use a fire hook to drain the ashes out of the ash chute under the stove, or if there are larger objects that have not burned sufficiently in the stove, you can pour them out directly from the stove.

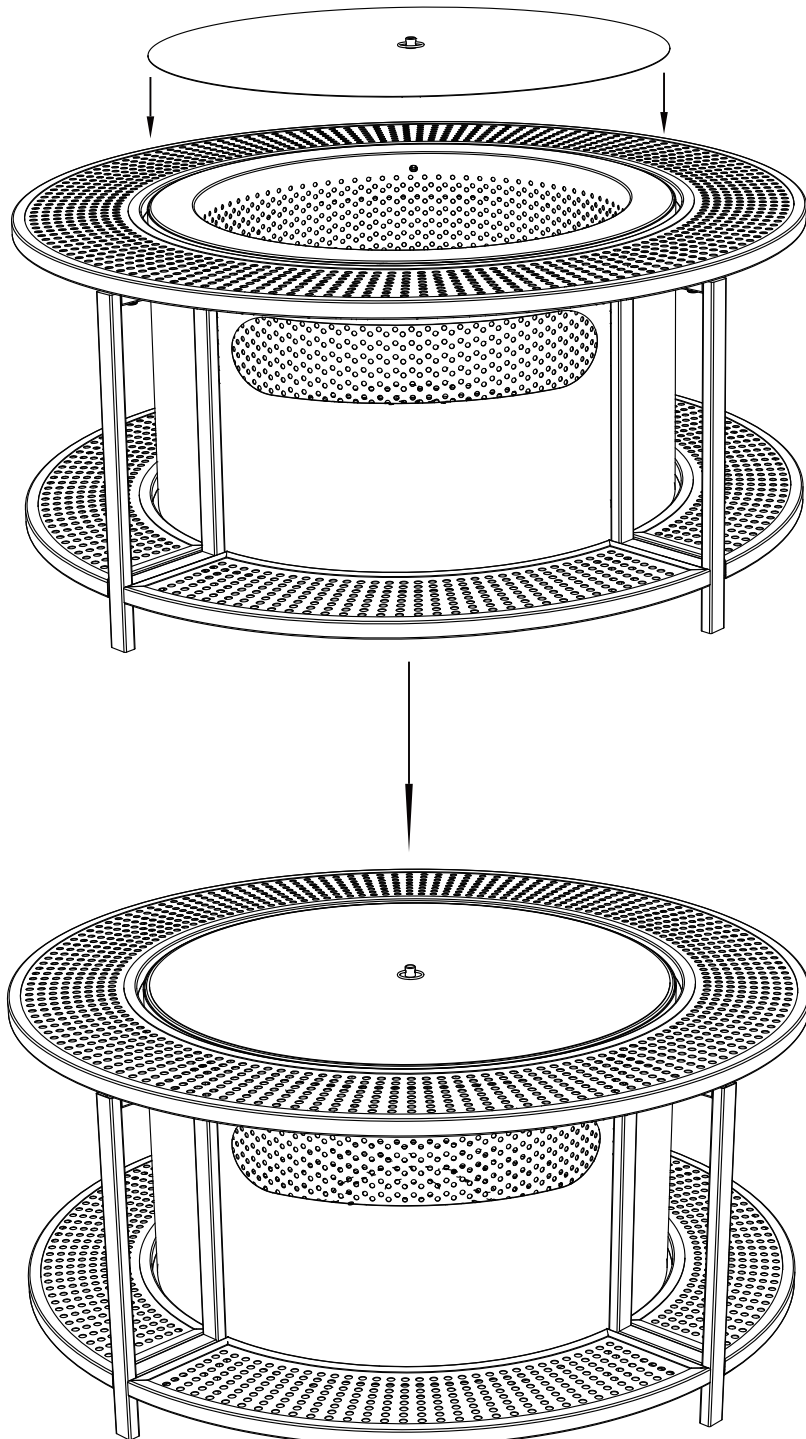
NOTE: Let the fire go out until completely cooled.

Time will vary.

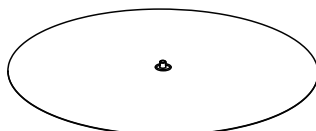


Installation steps

Step 9: Cover the stove with the lid(B) and save for another use.
NOTE: Let the fire go out until completely cooled.
Time will vary.



B

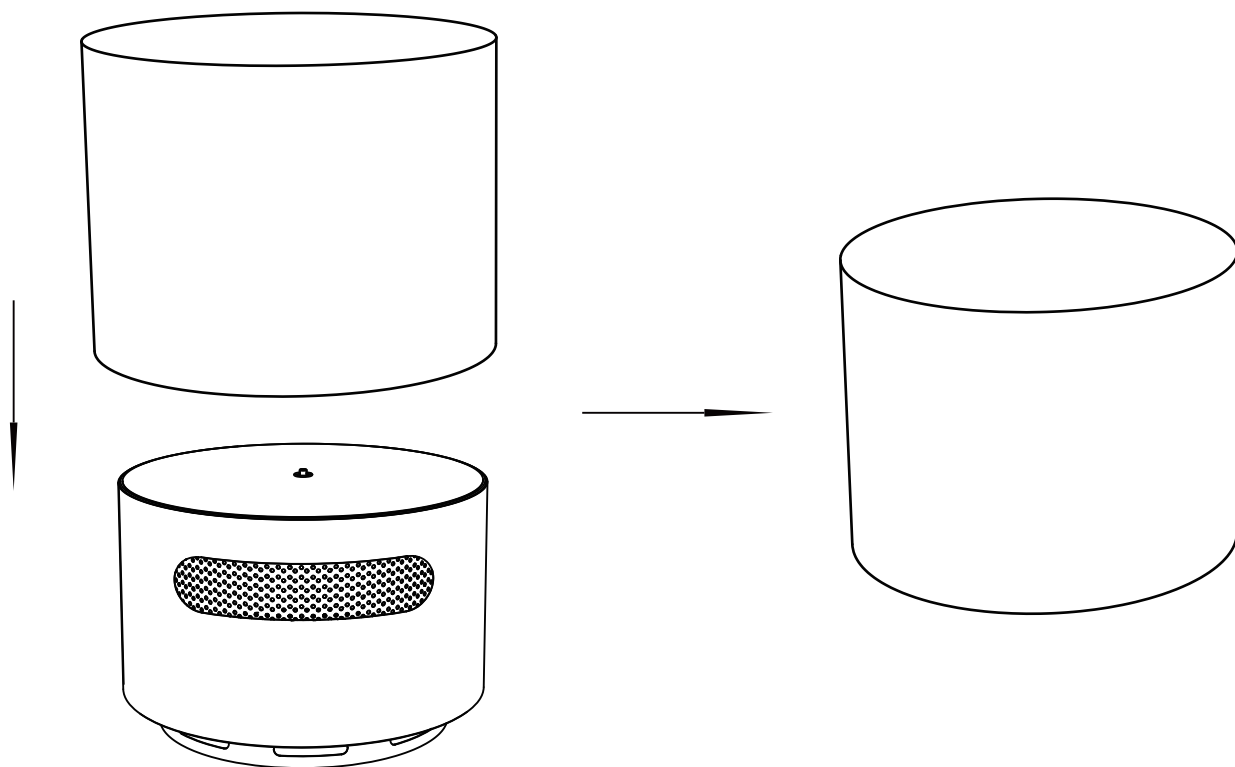


x1

Installation steps

Step 10: When the smokeless stove is not in use, please cover the stove with a waterproof cover(F).

When using a smokeless stove, remove the waterproof cover(F) and place it away from the stove.



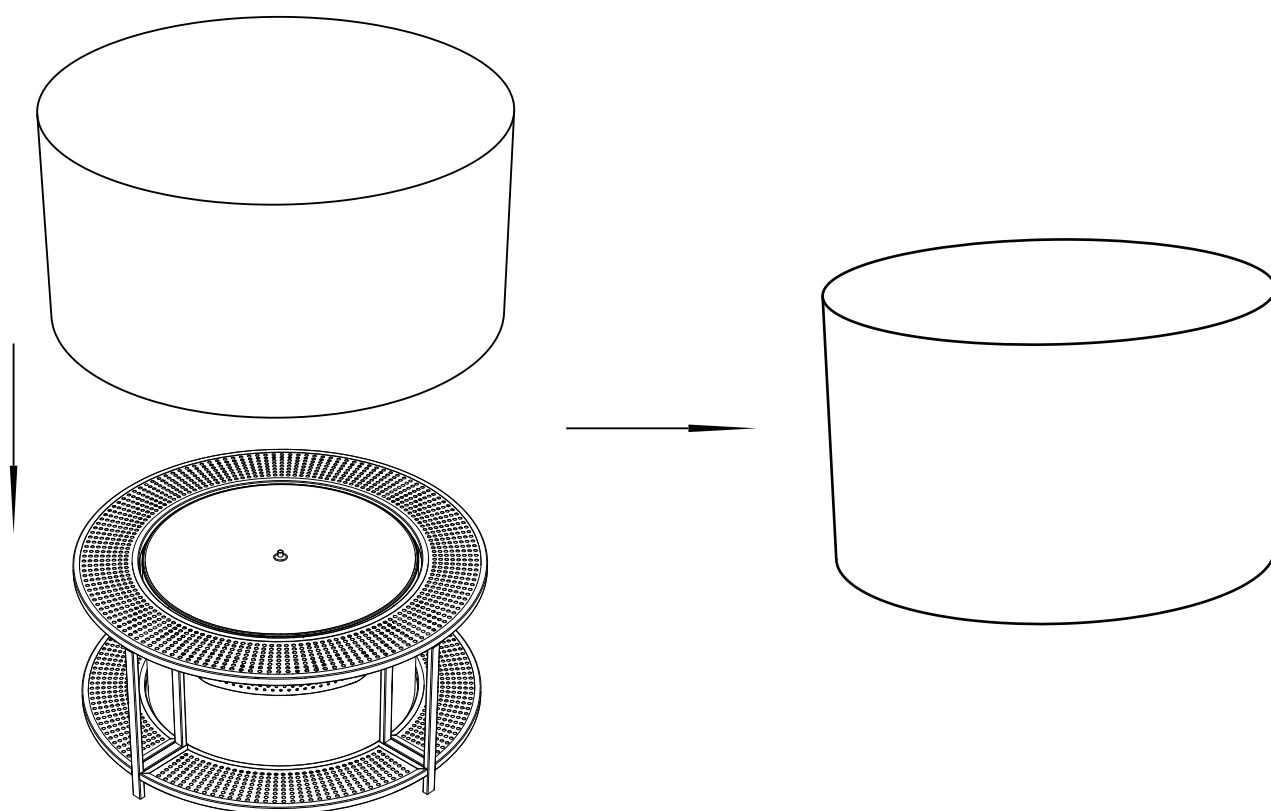
F



x1

Installation steps

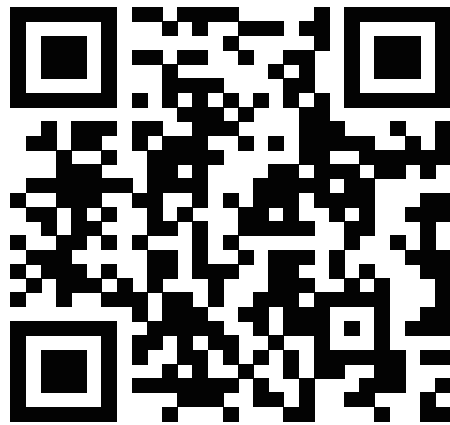
NOTE:When the smokeless stove and platform are not in use, please cover the stove and platform with a waterproof cover(K).
When using a smokeless stove, remove the waterproof cover(J) and place it away from the stove and platform.



K



x1



www.alaulm.com

Make your life much better.